



343A Semitrailer Parts Manual



LANDOLL CORPORATION

1900 North Street

Marysville, Kansas 66508

(785) 562-5381

800-428-5655 ~ WWW.LANDOLL.COM

Table of Contents

1 Illustrated Parts List

Instructions For Ordering Parts	1-1
Decals	1-3
Decal Placement	1-3
Hydraulic Electric Air	1-6
General Assembly	1-6
Hydraulic Assembly	1-8
Hydraulic Assembly	1-8
Hydraulic Cylinder - 4 x 20	1-10
Connectors - Front Sub Assembly	1-11
Valve Assemblies	1-12
Valve Assembly - Three Spool	1-12
Three Spool Valve	1-14
Electrical	1-16
Electrical System	1-16
Bumper Electrical	1-18
Receiver Transmitter - Macro Kar SL AX	1-20
Undercarriage	1-22
General Items	1-22
Grease System	1-26
Suspension	1-28
Air Ride Suspension	1-28
Air Control Kit	1-30
Air Tank Assembly	1-31
Suspension Hanger RLU-228	1-32
Air Brake System	1-34
Air Brake System	1-34
ABS Brake Kit - Rockwell	1-36
Axle and Brake Assembly - Dexter (12-1/4" X 7-1/2")	1-38
Axle and Brake Assembly - Dexter (16-1/2" X 7")	1-40
Brake Indicator - Long Brakesafe	1-42
Outboard Pilot Mount Hub and Drum	1-44
Tire Inflation System	1-46
Tire Inflation System	1-46
Gearboxes	1-48
Gearbox Assembly	1-48
Gearbox Items	1-50
Container Assemblies, Chains & Stops	1-52
Adjustable Stop Assembly	1-52
Chain Assembly - Container Load	1-53
Chain and Hook Assembly	1-54
Container Assembly - Chain Connect	1-55
Container Assembly - Front Pair Pin	1-56

Container Assembly - Pusher	1-57
Container Stop - Front Pair	1-58
Container Stop - Front Weldment	1-59
Container Stop - Pin Weldment	1-60
Container Stop - Rear Weldment	1-61
Load Binder - 3/8 Ratchet Style	1-62
Winches	1-64
Winch Installation - 12K (WARN)	1-64
Winch Items - 12K (WARN)	1-67
Winch Installation - 20K 2 Speed (WARN)	1-68
Winch Items - 20K 2 Speed (WARN)	1-72
Landing Gear	1-74
Landing Gear Installation - Jost 343	1-74
Ladders	1-76
Ladder Assembly	1-76
343 Ladder Assembly	1-78
Hitch	1-80
Hitch	1-80
Misc Options	1-81
Bulkhead Assembly	1-81
Container Chain and Bridle Assembly	1-82
Engine - 25 HP Drive Installation	1-84
Engine - 25 HP Gas Package	1-86
Hold Down Rear Container	1-90
Hubodometer Installation- 255 Tires	1-91
Hydraulic Conversion Kit - Ball to Flat	1-92
Strobe Beacon and Work Light Installation	1-94
Side Guide - Anchor Pair	1-96
Side Guide - Container Pair	1-97
Strap Ratchet & Hook Assembly	1-98
Tiedown Assembly - Shoe Lock	1-99
Toolbox Installation - Steel Door	1-100
Tool Box Installation	1-102
Hitch Cover	1-104
Brake Lock - 343A	1-106
Cone Holder Assembly	1-108

Illustrated Parts List

Instructions For Ordering Parts

ORDER PARTS FROM LANDOLL PARTS DISTRIBUTION CENTER

**** Repair parts must be ordered through an Authorized Dealer ****

PHONE NO: 1-800-423-4320 OR 1-785-562-5381
 ORDER ONLINE: Dealer.landoll.com

FAX NO: 888-527-3909

IDENTIFICATION PLATE

The identification plate, which lists the model number and serial number, is located on the front of the frame (See Figure 1-1)

SERIAL NUMBER NOMENCLATURE

The serial number for the Mode 343A Series Semitrailer is located on the identification plate.

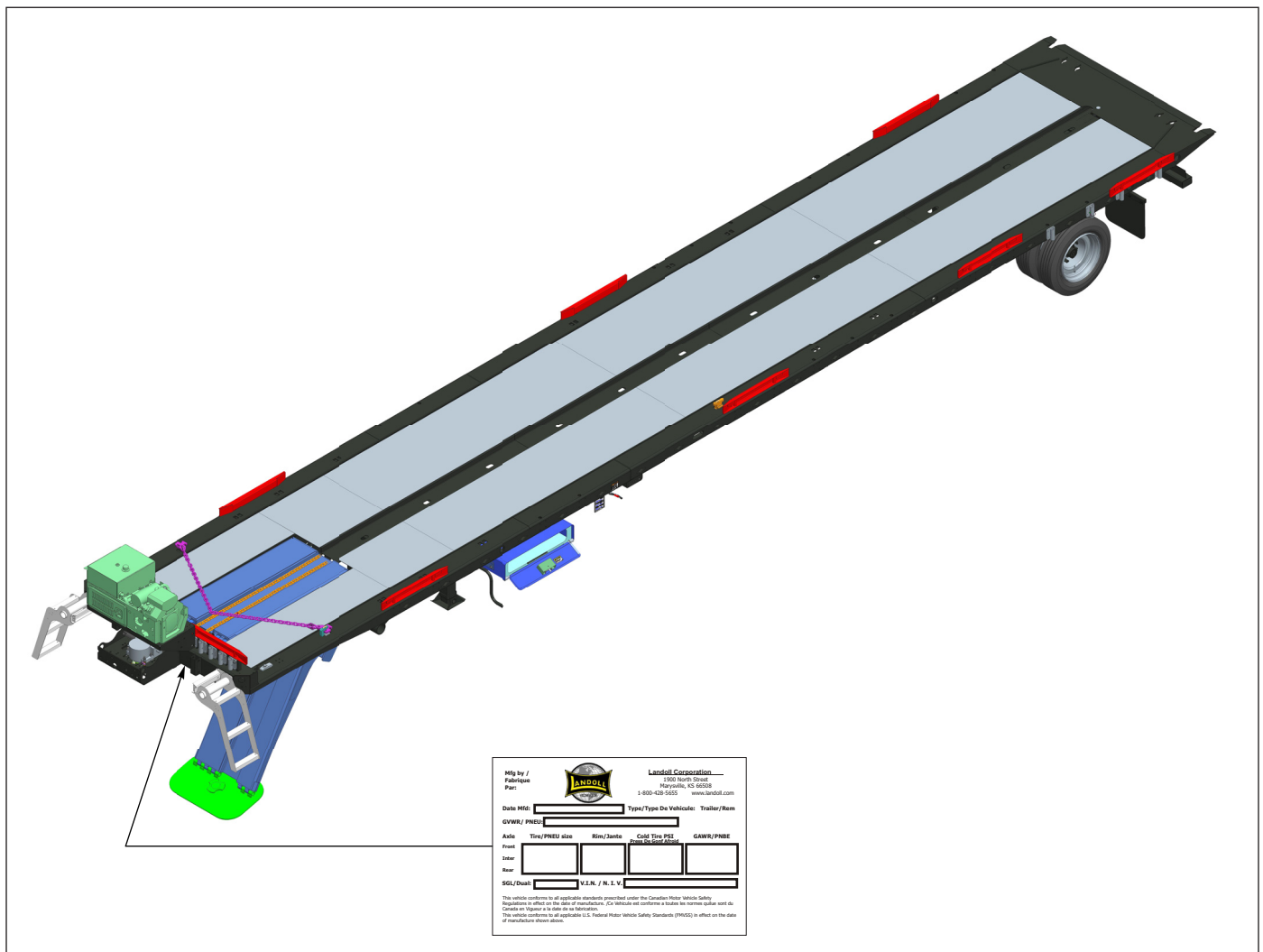


Figure 1-1: Identification Plate and Location

Decals

1 CAUTION
TANK PRESSURE
CONNECT FEMALE PRESSURE COUPLER FROM TRACTOR WET KIT OR ENGINE PACKAGE TO MALE PRESSURE COUPLER AT FRONT OF TRAILER FIRST TO RELIEVE PRESSURE IN TRAILER LINES.
TRACTOR MUST BE EQUIPPED WITH A RELIEF VALVE SET AT MAXIMUM OF 2000 PSI. 105922Z

2 LANDOLL TRAILERS

3 LIGHT ON OFF 103016

4 THROTTLE 189311

5 START 189310

6 FRT LT OFF ON, FRT LT OFF ON, WINCH OFF ON, REAR LT OFF ON

7 LANDOLL

8 Winch mounting brackets

9 DANGER ELECTROCUTION HAZARD
To prevent serious injury or death:
• Stay away from power lines when operating trailer.
• Electrocution can occur without contacting power lines. 171221

10 ENGINE OPERATION
STARTING
• PULL THROTTLE OUT HALFWAY.
• TURN IGNITION KEY FULLY CLOCKWISE.
• ONCE ENGINE IS STARTED RELEASE KEY.
CAUTION
DO NOT CRANK ENGINE FOR MORE THAN 30 SECONDS. IF ENGINE FAILS TO START, CONSULT MANUAL.
SHUTOFF
• LET SLOW IDLE FOR 30 SECONDS.
• TURN KEY COUNTER-CLOCKWISE. 189309

11 CAUTION
TO MEET FEDERAL REGULATIONS THE TRAVELING AXLES MUST BE IN THE REAR MOST POSITION FOR HIGHWAY USE. 3-573-010038

12 WARNING
TRAILER OPERATION
1. PARK TRAILER IN A STRAIGHT LINE WITH LOAD ON RELATIVELY LEVEL GROUND.
2. SET TRACTOR BRAKES AND RELEASE TRAILER BRAKES.
3. ENGAGE PTO.
WARNING: ALWAYS USE LOW LOAD ANGLE TO LOAD AND UNLOAD POWERED PRODUCTS.
4. ALTERNATE PULLING AXLE FORWARD AND TILTING TRAILER.
5. TO ACHIEVE LOW LOAD ANGLE, ALTERNATE BETWEEN TILTING THE TRAILER AND PULLING THE AXLE FORWARD AND THE AXLE IS COMPLETELY FORWARD.
CAUTION: DO NOT ALLOW AXLE TO LEAVE THE GROUND.
6. MAXIMUM LOAD ANGLE IS INTENDED FOR UNLOADING POWERED PRODUCTS AND TO TRANSFER BY TILTING DECK AND MOVING AXLE TOWARD REAR OF TRAILER.
7. TO RETURN TO LEVEL POSITION, REVERSE STEPS USED TO TILT THE TRAILER. 171220

13 WINCH FREE SPOOL
PUSH IN - WINCH ENGAGE
PULL OUT - WINCH DISENGAGE 135184

14 Red and white color swatch

15 UP (PUSH), AHEAD (PUSH), IN (PUSH), DOWN (PULL), BACK (PULL), OUT (PULL) 24464
TILT AXLE WINCH

25, 26 Mfg by / Fabricator Part: Landoll Corporation 1700 North Street, Marysville, KS 66508, 1-800-428-5655, www.landoll.com
Date Mfg: Type/Type de Vehicule: Trailer/Rem
GVWR / PNEU: Tire/Type de Pneus
Axle Type/PNEU size Rim/Dia. Cold Tire PSI GVWR/PNEU
Front
Rear
SGL/Deal: V.I.N. / N. I. V.
This vehicle conforms to all applicable standards prescribed under the Canadian Motor Vehicle Safety Regulations in effect on the date of manufacture. (Ce vehicule est conforme a toutes les normes canadiennes de la Sécurité des Véhicules Motorisés en vigueur à la date de sa fabrication.)
This vehicle conforms to all applicable U.S. Federal Motor Vehicle Safety Standards (FMVSS) in effect on the date of manufacture shown above.

Figure 1-2: Decal Placement (1 of 2)

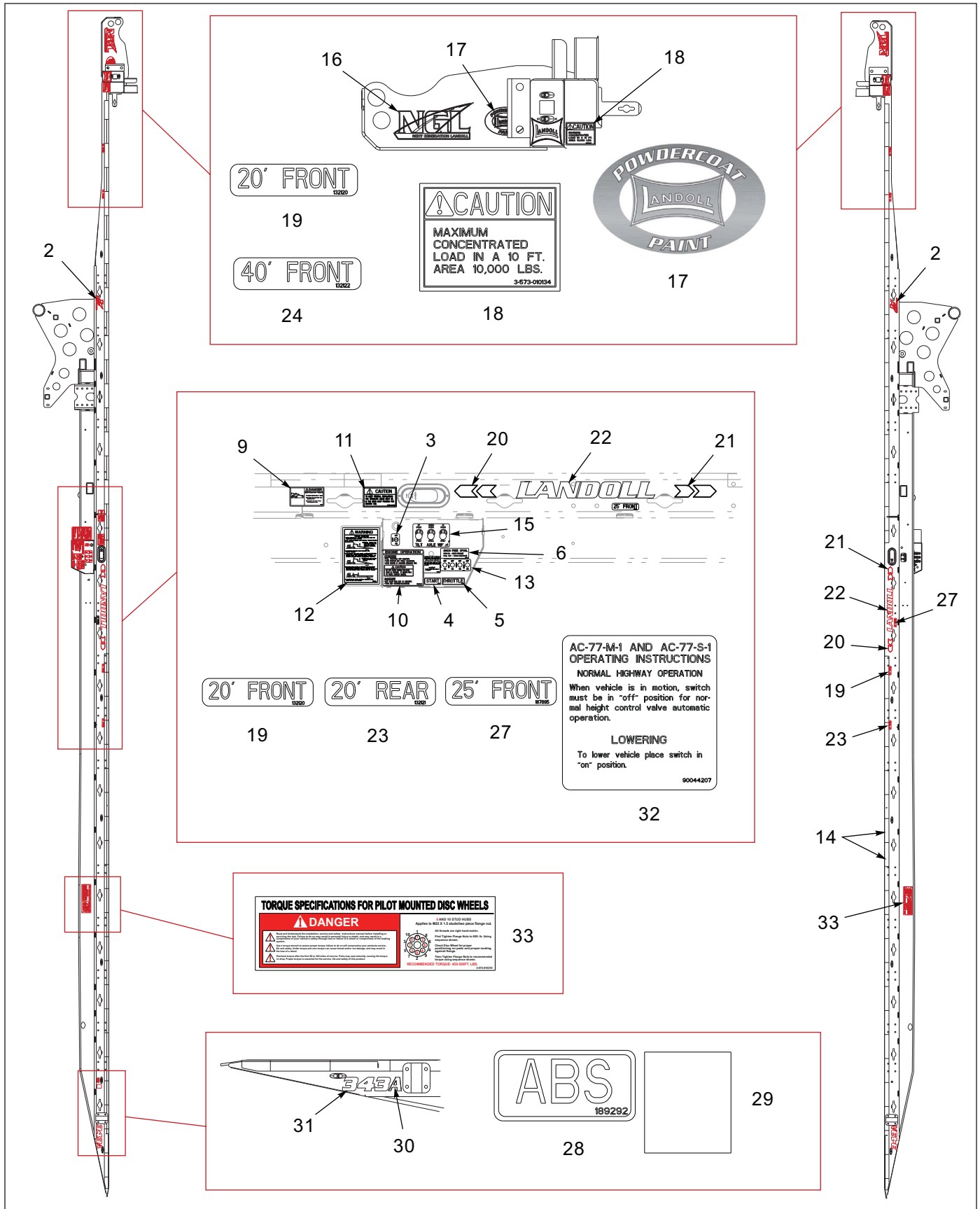


Figure 1-3: Decal Placement (2 of 2)

Decals

ITEM	PART NO.	DESCRIPTION	QTY.
	196222	DECAL INSTL 343A (REF. ONLY)	
1	105822	DECAL HYD COUPLER	1
2	196165	DECAL HIGHWAY L	2
3	130116	DECAL, ON/OFF LIGHT	REF
4	189311	DECAL, THROTTLE, ENG PKG	REF
5	189310	DECAL, START, ENG PKG	REF
6	184212	DECAL, SWITCH SERIES 300	REF
7	196172	DECAL, BOWTIE SMALL	2
8	202578	REFLEXITE WHITE 3 IN. LENGTH	2
9	171221	DECAL, DANGER ELECTROCUTION	1
10	189309	DECAL, EFI ENG PKG INSTR	REF
11	3-573-010038	DECAL CAUTION	1
12	171220	DECAL, OPERATION 1- AXLE TB	1
13	135184	DECAL, WINCH FREE SPOOL	REF
14	3-573-010377	DECAL, 2 IN. REFLECTIVE TAPE RED/WHITE	1200 IN.
15	194454	DECAL, OPERATION VALVE	1
16	196180	DECAL, NEXT GENERATION SMALL	2
17	196173	DECAL, POWDERCOAT SMALL	1
18	3-573-010134	DECAL, CONCENTRATED LOAD 10,000	2
19	132120	DECAL, 20 FT. FRONT	4
20	196168	DECAL, ARROW SMALL 2LH	2
21	196169	DECAL, ARROW SMALL 2RH	2
22	196167	DECAL, LANDOLL SMALL	2
23	132121	DECAL, 20 FT. REAR	2
24	132122	DECAL 40 FT. FRONT	2
25	155780	INFORMATION FOR TRL VIN	1
26	156010	RIVET, BLIND .156 X 1/2 GRIP (NOT SHOWN)	4
27	187895	DECAL, 25 FT. FRONT	2
28	189292	DECAL, ABS, WHITE	1
29	101855	WARNING LAMP LABEL, ABS	1
30	196170	DECAL LETTER A SMALL	2
31	196225	DECAL 343	2
32	900-44-207	DECAL, RAISE AND LOWER	REF
33	3-573-010210	DECAL, TORQUE SPEC 8-10 STUD HUB	2

Hydraulic Electric Air

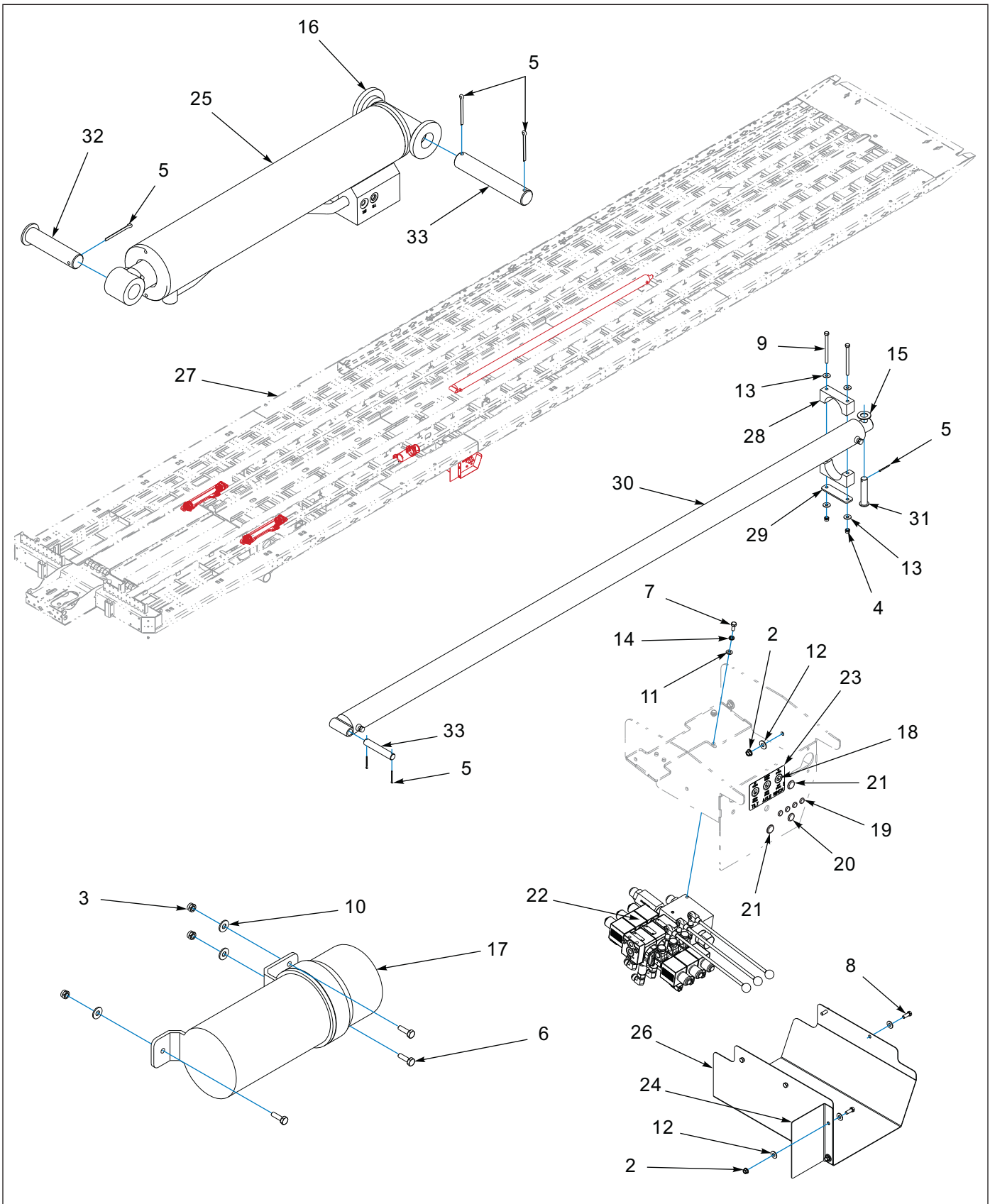


Figure 1-4: General Assembly

General Assembly

ITEM	PART NO.	DESCRIPTION	QTY.
	196579	HYD ELECT AIR 343A (REF. ONLY)	
1	1-394-010002	HOSE ABRASION, SLEEVE 2-7/8 (NOT SHOWN)	24 IN.
2	1-510-010001	NUT, FLG HD, SERR, 3/8-16 UNC	6
3	1-512-010005-01	NUT, HEX, SLFLKG, 1/4-20 UNC, GRB	3
4	1-512-010005-09	NUT, HEX, SLFLKG, 1/2-13 UNC, GRB	2
5	1-557-010362-54	PIN, COTTER 3/16 X 2-1/4	9
6	1-654-010047-05	SCREW, HEX, 1/4-20UNCX7/8 GR5	3
7	1-654-010049-03	SCREW, HEX, 5/16-18UNCX3/4 GR5	4
8	1-654-010051-05	SCREW, HEX, 3/8-16UNCX1 GR5	6
9	1-654-010055-18	SCREW, HEX, 1/2-13UNCX6-1/2 GR5	2
10	1-861-010032-07	WASHER, FLAT, ZP/CD, 1/4W	3
11	1-861-010032-08	WASHER, FLAT, ZP/CD, 5/16N	4
12	1-861-010032-11	WASHER, FLAT, ZP/CD, 3/8W	12
13	1-861-010032-15	WASHER, FLAT, ZP/CD, 1/2W	4
14	1-861-010034-10	WASHER, LKG, HLCL SPR, 5/16	4
15	116100	WASHER, FLAT, ZP/CD, 1-1/4N	1
16	130113	BUSHING, TILT CYL 340	4
17	150076	MANUAL HOLDER 14-1/4 ID	1
18	178444	BUSHING, NYLATRON INSERT	3
19	189278	PLUG, PLASTIC PANEL 1/2 - 9/16	4
20	189280	PLUG, PLASTIC PANEL 3/4	4
21	189281	PLUG, PLASTIC PANEL 13/16	2
22	194439	VALVE REXROTH ASSEMBLY 300A	1
23	194454	DECAL OPERATION VALVE	1
24	194455	BRACKET DECAL SUPPORT	1
25	196588	CYLINDER 4X20 W/CB	2
26	197441	SHIELD CONTROL VALVE 343	1
27	197447	FRAME WLDMT 343-102-43	REF
28	200408	NYLATRON SUPPORT CYL 4 IN.	2
29	200409	BOTTOM PLATE CYL 4 IN. SUPPORT	1
30	3-242-010185	CYLINDER 4 X 126 LOADOLL	1
31	3-557-010031	PIN, CYL., UNDERCARRIAGE	1
32	3-557-010032	PIN, CYL., UNDERCARRIAGE	2
33	3-557-010182	PIN 1-1/4 X 7-1/8 CYL END	3
34	216601	SEAL KIT, SERVICE	REF

Hydraulic Assembly

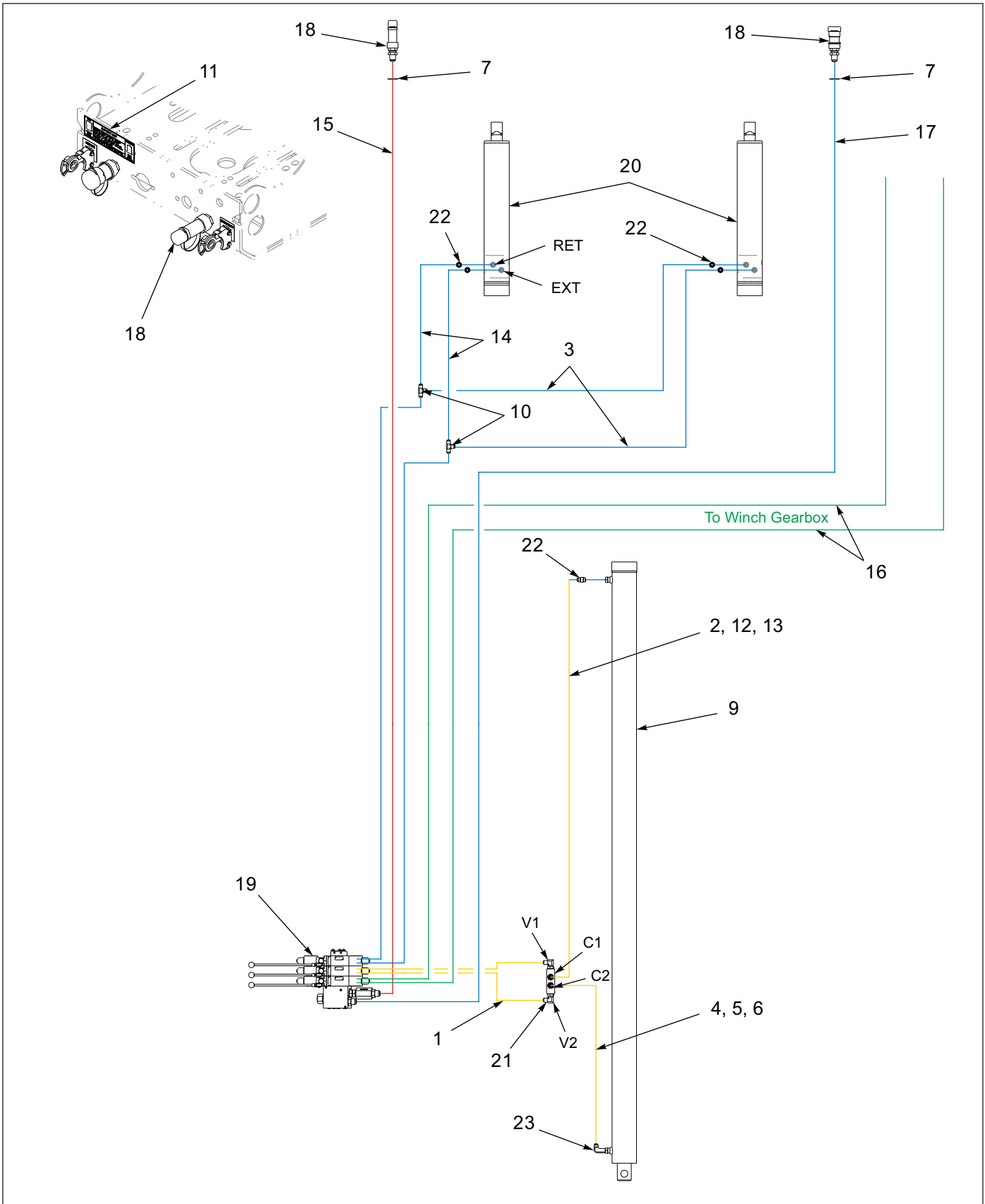


Figure 1-5: Hydraulic Assembly

Hydraulic Assembly

ITEM	PART NO.	DESCRIPTION	QTY.		
	196585	HYDR ELEC AIR 343A-46 W/RMT (REF. ONLY)	*		
	196583	HYDR ELEC AIR 343A-50 W/RMT (REF. ONLY)		*	
	196581	HYDR ELEC AIR 343A-43 W/RMT (REF. ONLY)			*
1	1-397-010301024	HOSE ASSEMBLY, 1/2X24 SAE37, STR - STR	2	2	2
2	1-397-010301074	HOSE ASSEMBLY, 1/2X74 SAE37, STR	1	--	--
3	1-397-010301090	HOSE ASSEMBLY, 1/2X90 SAE37, STR	4	4	4
4	1-397-010301130	HOSE ASSEMBLY, 1/2X130 SAE37, STR	--	--	1
5	1-397-010301157	HOSE ASSEMBLY, 1/2X157 SAE37, STR	1	1	--
6	1-397-010301208	HOSE ASSEMBLY, 1/2X208 SAE37, STR	1	--	--
7	1-861-010059-21	WASHER, 1-1/8 LKG, INTERNAL TOOTH	2	2	2
8	3-201-010002	CONDUIT, 3/8 PLASTIC FLEX (NOT SHOWN)	14	14	14
9	3-242-010185	CYLINDER 4 X 126 LOADOLL	1	1	1
10	2033-8-8S	ADAPER, TEE, #8 TUBE	2	2	2
11	105822	DECAL HYD COUPLER	1	1	1
12	123969	HYD HOSE ASSEMBLY, 1/2X21, SAE37 STR - STR	--	1	--
13	124130	HYD HOSE ASSEMBLY, 1/2X44, SAE37 STR - STR	--	--	1
14	124132	HYD HOSE ASSEMBLY, 1/2X49, SAE37 STR - STR	2	2	2
15	128470	HYD HOSE ASSEMBLY, 3/4X290, SAE37 STR	1	1	1
16	128472	HYD HOSE ASSEMBLY, 1/2X374, SAE37 STR	2	2	2
17	131265	HYD HOSE ASSEMBLY, 3/4X338 SAE37 STR	1	1	1
18	143163	CONNECTORS, FRONT SUB ASSEMBLY	REF	REF	REF
19	194439	VALVE REXROTH ASSEMBLY 300A	1	1	1
20	196588	CYLINDER, 4X20 W/CB	2	2	2
21	197450	VALVE, DUAL CB ASSEMBLY 343A	1	1	1
22	202702-8-8S	ADAPTER, #8 O-RING TO #8 TUBE	5	5	5
23	206209-8-8S	ADAPTER, 90, #8 O-RING TUBE	1	1	1
24	216601	COMPLETE SEAL KIT	REF	REF	REF

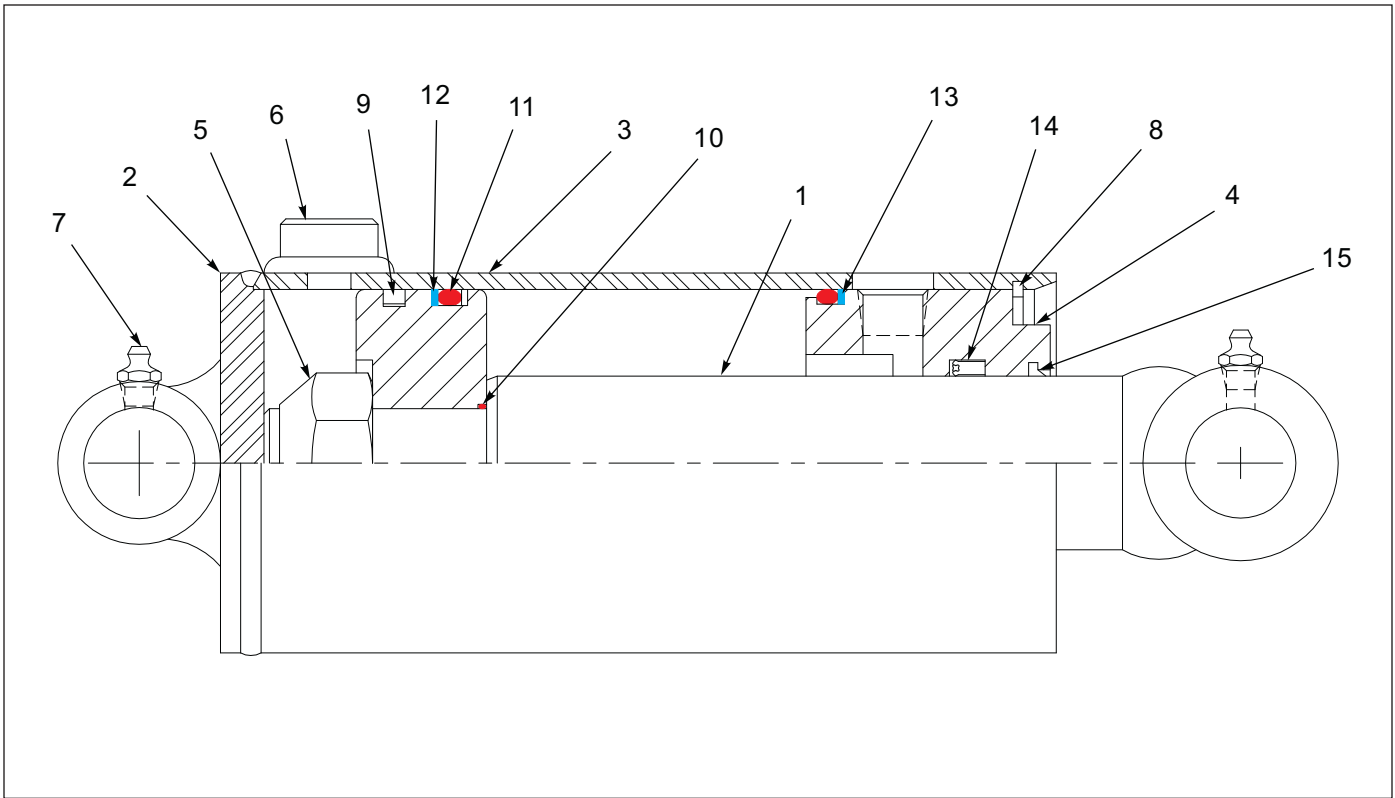


Figure 1-6: Hydraulic Cylinder - 4 x 20

Hydraulic Cylinder - 4 x 20

ITEM	PART NO.	DESCRIPTION	QTY.
	126972	CYLINDER, HYDRAULIC 4 X 20 WELDED	
1	166730	PISTON ROD ASSEMBLY	1
2	----	BUTT AND TUBE ASSEMBLY	1
3	----	PISTON	1
4	----	GLAND	1
5	----	LOCKNUT	1
6	----	PORT PLUG	2
7	----	GREASE ZERK	2
8	----	SNAP RING RETAINER	1
9	----	PISTON RING	1
10	----	O-RING	1
11	----	O-RING	2
12	----	BU-WASHER	2
13	----	BU-WASHER	1
14	----	U-CUP	1
15	----	WIPER	1
16	----	BU-WASHER (NOT SHOWN)	1
17	----	QUAD RING (NOT SHOWN)	1

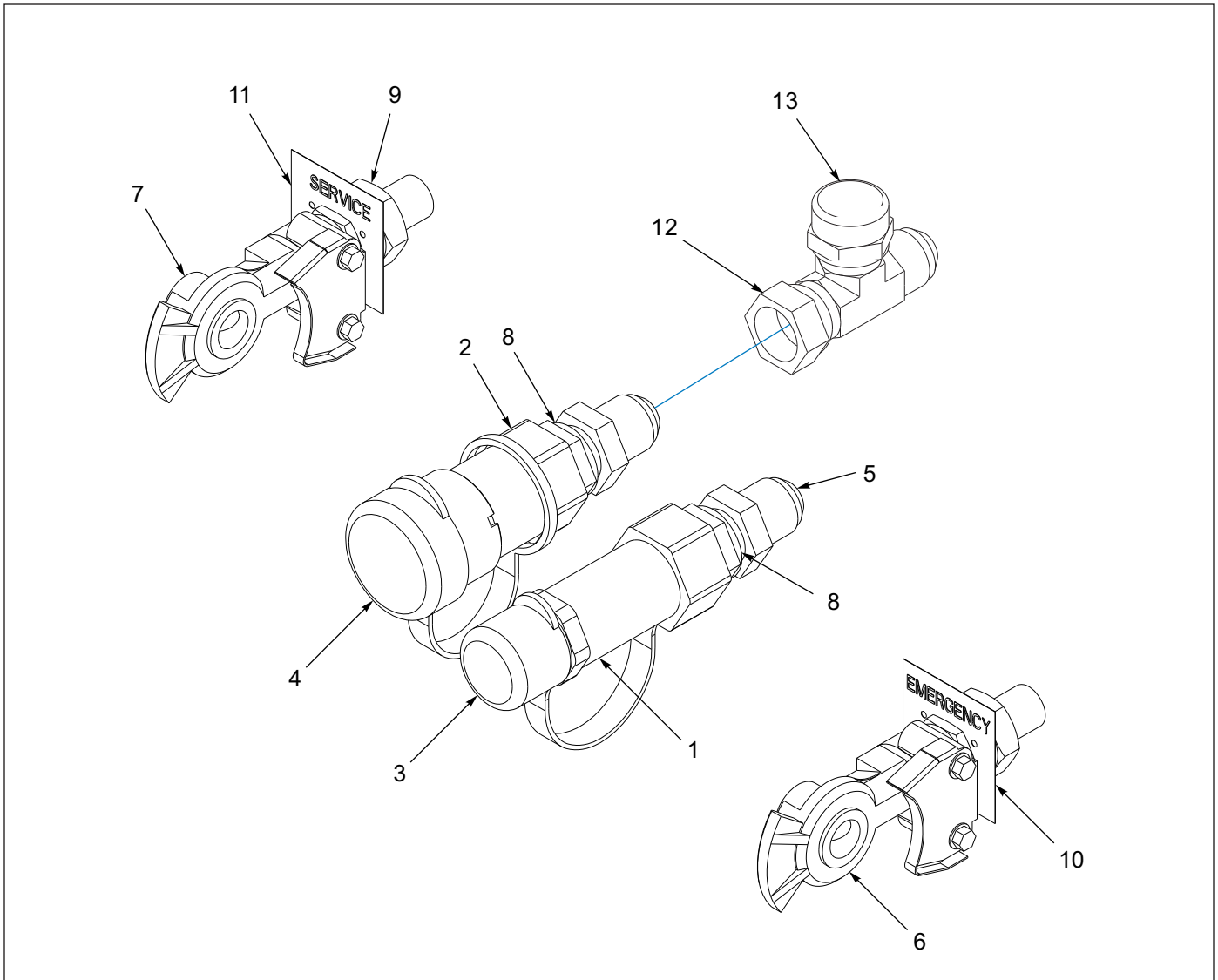


Figure 1-7: Connectors - Front Sub Assembly

Connectors - Front Sub Assembly

ITEM	PART NO.	DESCRIPTION	QTY.
	143163	CONNECTOR ASSEMBLY, FRONT SUB (REF. ONLY)	REF
1	105479	COUPLER, FLAT FACE MALE	1
2	105480	COUPLER, FLAT FACE FEMALE	1
3	105481	COUPLER, DUST CAP MALE	1
4	105482	COUPLER, DUST CAP FEMALE	1
5	105483	ADAPTER, BULKHEAD 12JIC-12ORING	2
6	108801	GLADHAND, RED AIR	1
7	108802	GLADHAND, BLUE AIR	1
8	169365	SPACER, HYDRAULIC COUPLER	2
9	55B61	FRAME UNION	2
10	55B61-6	TAG EMERGENCY LINE	1
11	55B61-7	TAG SERVICE LINE	1
12	203102-12-12S	ADAPTER, TEE, #12, SAE37 SWIVL (USED W/ WINCH OPTION)	REF
13	210292-12S	HYD FITTING, CAPNUT .75 (USED W/ WINCH OPTION)	REF

Valve Assemblies

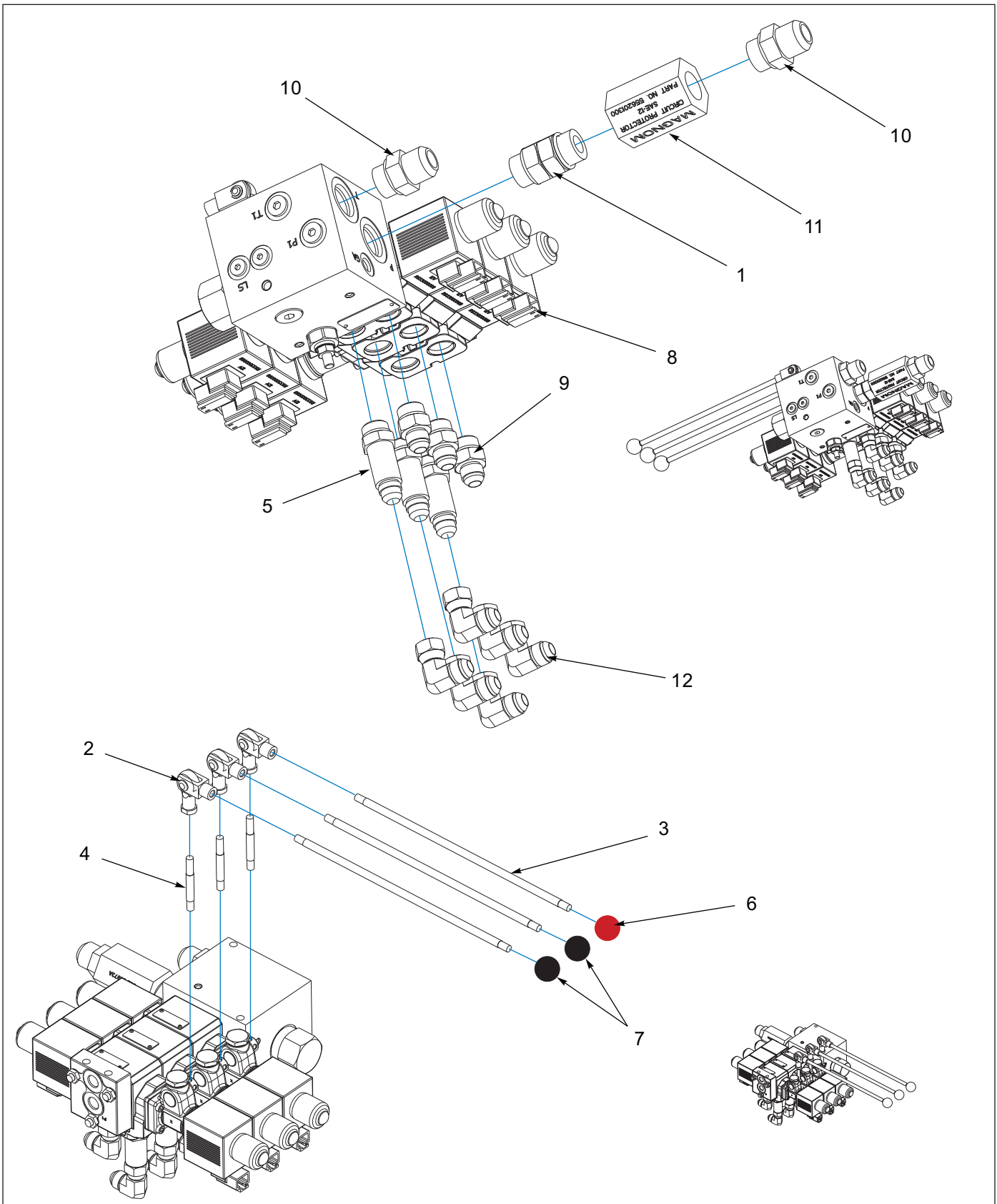


Figure 1-8: Valve Assembly - Three Spool

Valve Assembly - Three Spool

ITEM	PART NO.	DESCRIPTION	QTY.
	194439	VALVE REXROTH ASSEMBLY 300A	
1	158581	ADAPTER STR #12 ORB - #12 ORB	1
2	186875	CLEVIS JOINT, ROD ENDS M8X1.25	3
3	186885	VALVE, 3 SPOOL SOLENOID, 35 GPM	3
4	186902	STUD, M8X1.25X64MM, DBL THRD	3
5	189285	ADAPTER, STR LONG #10 ORB #8MJIC	3
6	191849	HANDE, RED, 9 IN., M8X1.25 THREAD	1
7	191850	HANDLE, BLACK, 9 IN., M8X1.25 THREAD	2
8	202430	VALVE, 3 SPOOL, 35GPM, W/ ORIF	1
9	202702-10-8S	ADAPTER, #10 O-RING #8 TUBE	3
10	202702-12-12S	ADAPTER, STR #12 O-RING - #12 TUBE	2
11	204124	FILTER, HYD INLINE MAGNETIC, SAE#12	1
12	2071-8-8S	ADAPTER, 90, #8 FLR SWIVL #8 JIC	6

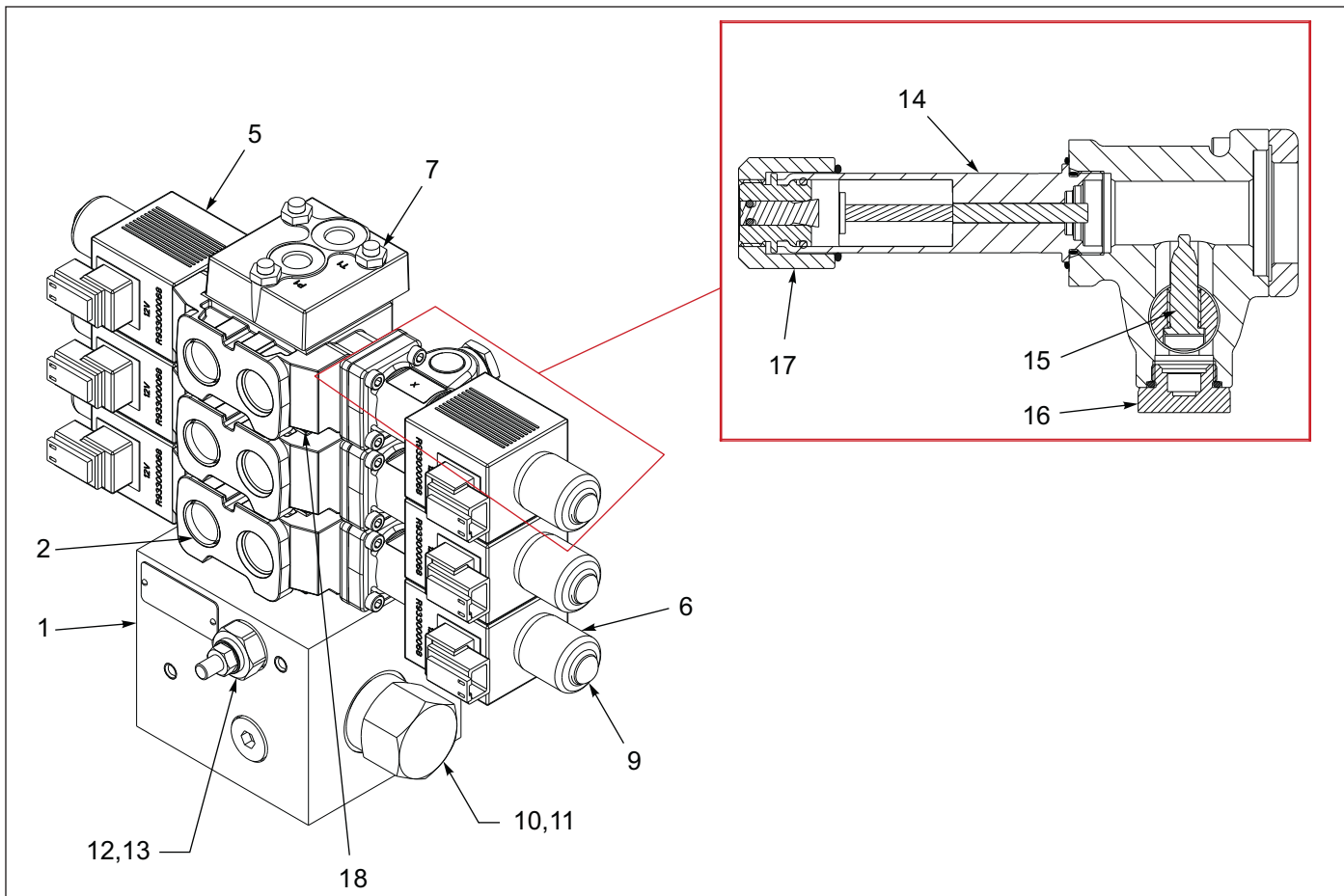


Figure 1-9: Three Spool Valve

Three Spool Valve

ITEM	PART NO.	DESCRIPTION	QTY.
	202430	VALVE, 3 SPOOL, 35 GPM W/ORF	
1	191847	INLET SECTION KIT	1
2	191848	VALVE SECTION KIT	3
3	191849	HANDLE ASSY (NOT SHOWN)	1
4	191850	HANDLE ASSY (NOT SHOWN)	2
5	193400	COIL	6
6	193401	RUBBER BOOT	6
7	193402	BOLT KIT	1
8	193442	VALVE SECTION SEAL KIT (NOT SHOWN)	4
9	193443	COIL NUT SEAL KIT	1
10	193444	BY-PASS COMENSATOR	1
11	193445	SEAL KIT FOR COMPENSATOR	1
12	193446	LOAD SENSE RELIEF	1
13	193447	LOAD SENSE RELIEF SEAL KIT	1
14	208390	KIT COMPLETE LEVER BOX, K-22144	1
15	204189	SET SCREW HANDLE ACTUATOR BALL	6
16	208391	PLUG	6
17	208392	COIL NUT LEVER BOX	6
18	202190	RESTRICTOR, 1/8 DIA ORIFICE 15 GPM	1

Electrical

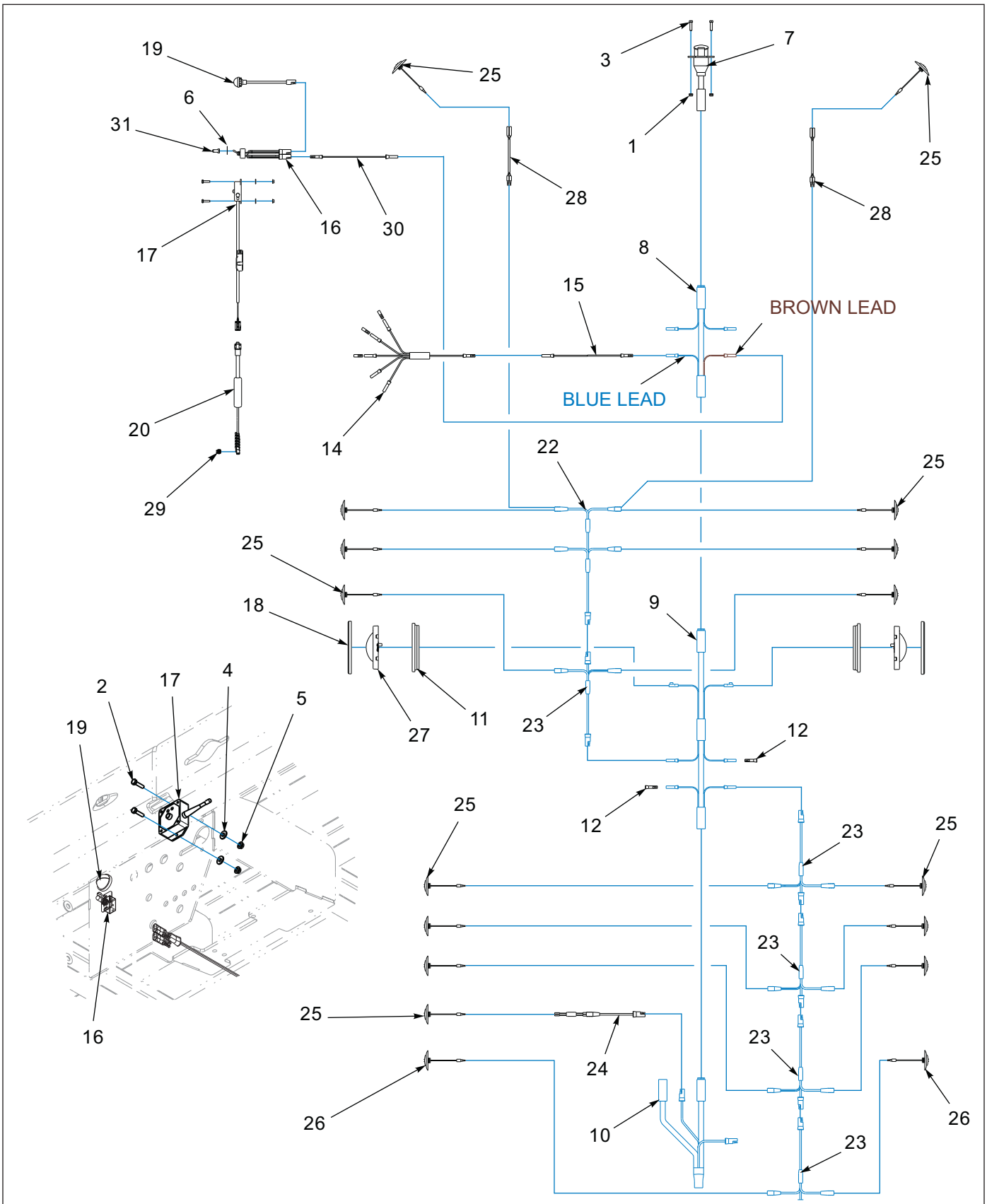


Figure 1-10: Electrical System

Electrical System

ITEM	PART NO.	DESCRIPTION	QTY.	
	196585	HYDR ELEC AIR 343A-46 W/RMT (REF. ONLY)	*	
	196583	HYDR ELEC AIR 343A-50 W/RMT (REF. ONLY)		*
	196581	HYDR ELEC AIR 343A-43 W/RMT (REF. ONLY)		*
1	1-512-010005-03	NUT, HEX, SLFLKG, 5/16-18 UNC, GRB	2	2
2	1-654-010047-06	SCREW, HEX, 1/4-20X1 GR5	2	2
3	1-654-010049-07	SCREW, HEX, 5/16-18UNCX1-1/4 GR5	2	2
4	1-861-010032-07	WASHER, FLAT, ZP/CD, 1/4W	2	2
5	108417	NUT, SPIRALOCK 1/4-20 HEX FLANGE	2	2
6	130116	DECAL, ON/OFF LIGHT	1	1
7	143100	HARNESS 7WAY RECP GROTE	1	1
8	143101	HARNESS FRONT MAIN GROTE	1	1
9	143102	HARNESS BED MAIN GROTE	1	1
10	143103	HARNESS E-CHAIN GROTE	REF	REF
11	143114	GROMMETT OVAL GROTE	2	2
12	143121	DUMMY PLUG MALE / FEM BULLET (USED W/O RMT)	REF	REF
13	143123	DIELECTRIC GREASE	.50	.50
14	150093	HARNESS 5 AUX BRANCHES GROTE	1	1
15	150111	HARNESS 300 IN. MALE / FEM BULLET	1	1
16	150117	TOGGLE SWITCH SEALED S.P.S.T.	1	1
17	168648	RECEIVER/TRANS MACRO KAR SL AXLE	1	1
18	180570	COVER CHROME OBLONG GROMMET	2	2
19	185059	LIGHT, LED COURTEST, GROTE	1	1
20	186882	HARNESS, CONTROL VALVE, DUETSCH	1	1
21	187833	CLIP HARNESS, CROSS-MEMBER (NOT SHOWN)	100	100
22	187855	HARNESS MARKER UPR DECK	1	1
23	187857	HARNESS MARKER ADDITION	5	5
24	187858	HARNESS ABS LAMP MICRONOVA	1	1
25	187863	LIGHT YEL LED .75 CL/MK CLEAR CB	15	15
26	187864	LIGHT WHT LED .75 CL/MK CLEAR CB	2	2
27	187868	LIGHT MID-TURN LED CLEAR LENS	2	2
28	191569	HARNESS MARKER LAMP MICRONOVA	2	2
29	194407	PLUG ASSEMBLY DUMMY DEUTSCH 2 PIN (USED W/O REMOTE)	--	--
30	3-368-010252	HARNESS ASSEMBLY BKHD LIGHT EXT	1	1
31	81264	RUBBER BOOT FOR ELECT SWITCH	1	1

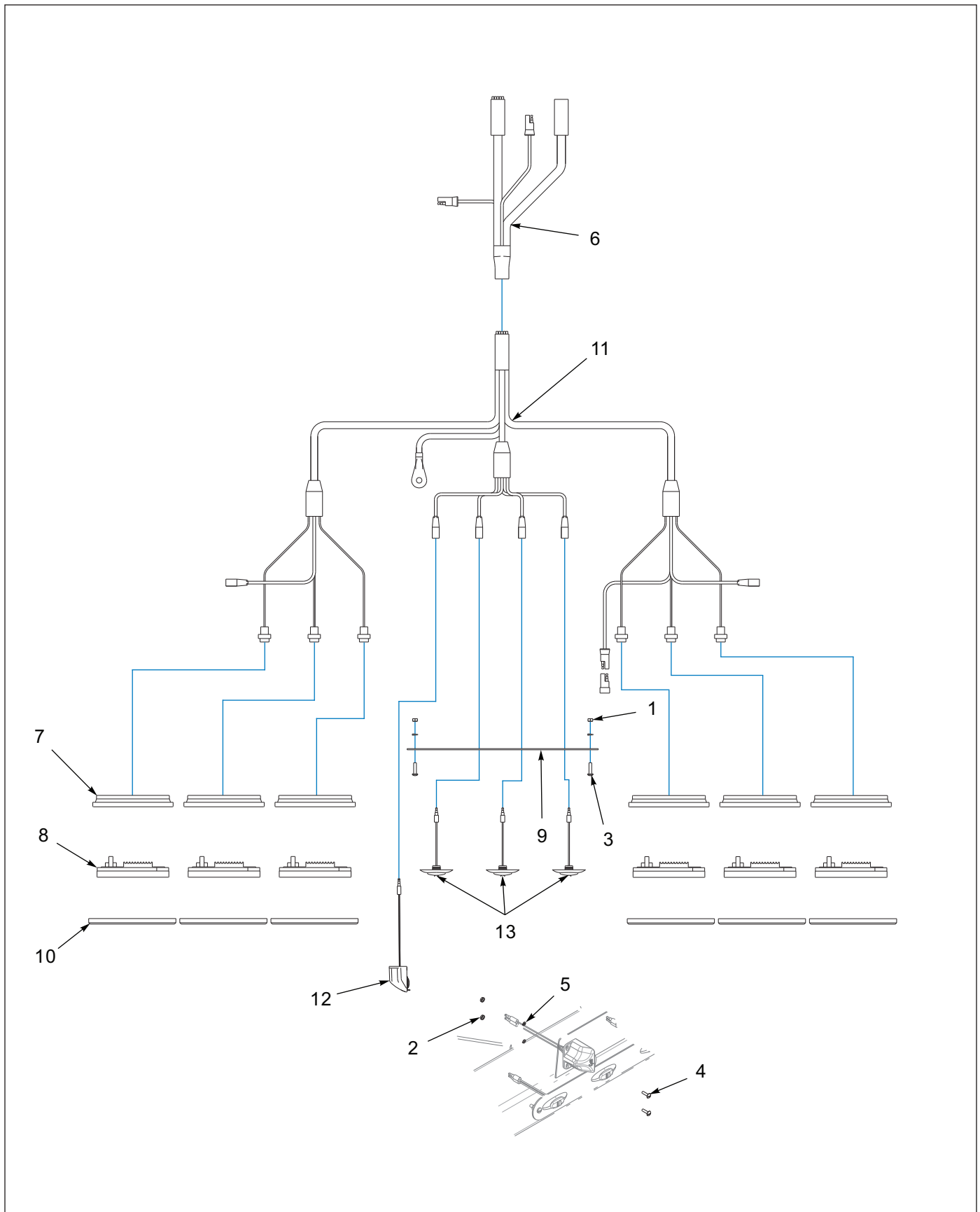


Figure 1-11: Bumper Electrical

Bumper Electrical

ITEM	PART NO.	DESCRIPTION	QTY.
1	1-512-010005-01	NUT,HEX,SLFLKG GRB 1/4-20	2
2	1-512-010007-03	NUT, HEX 10-24 GR2 ZP	2
3	1-654-010158-1	SCREW,RHD,SQ NCK,1/4-20UNCX3/4	2
4	1-656-010003051	SCREW,RH HD MACH 10-24X3/4	2
5	1-861-010034-07	WASHER,LKG,HLCL SPR, NO 10	2
6	143103	HARNESS ECHAIN GROTE	1
7	143114	GROMMET OVAL GROTE	6
8	149902	AXLE/SPRING ASSY REAR 345E	6
9	179906	PLATE MTG MICRO ID LIGHTS	1
10	180570	COVER CHROME OBLONG GROMMET	6
11	187859	HARNESS BUMPER MICRONOVA GROTE	1
12	187860	LIGHT ASSY LICENSE LED GROTE	1
13	187864	LIGHT RED LED.75CL/MK CLEAR CB	3
14	43029	HOSE WRAP AEROQUIP 1/4 (NOT SHOWN)	3

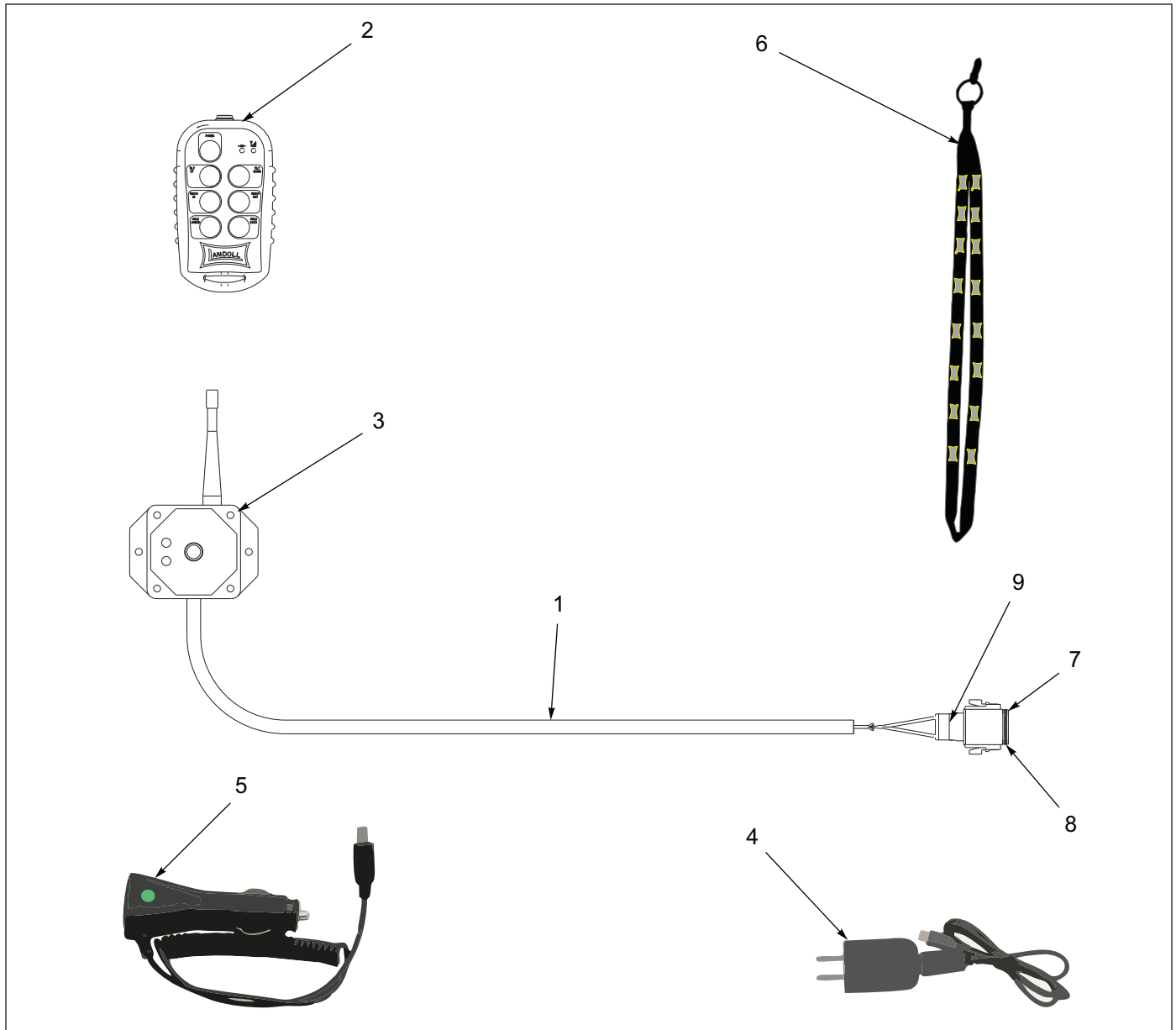


Figure 1-12: Receiver Transmitter - Macro Kar SL AX

Receiver Transmitter - Macro Kar SL AX

ITEM	PART NO.	DESCRIPTION	QTY.
	168648	RECEIVER TRANSMITTER, MACRO KAR, SL AX	REF
1	168974	REMOTE, KAR-TECH SLIDE AX (ITEMS 2-5)	1
2	168975	MACRO TRANSMITTER W/ DECAL	1
3	143126	MINI AND MACRO RECEIVER, 6 FUNCTION W/ TEACH BUTTON	1
4	168976	CAR CHARGER 12V TO MICRO USB	1
5	168982	WALL CHARGER 120V TO MICRO USB	1
6	168979	LANYARD, LANDOLL	1
7	622-2967-010	PLUG, 8 POS, FEMALE	1
8	622-2967-015	SOCKET, 16-18 AWG, SOLID	8
9	622-2967-026	WEDGE, 8 POS, PLUG	1
10	197460	REPLACEMENT BATTERY, KAR-TECH MACRO (NOT SHOWN)	1

Undercarriage

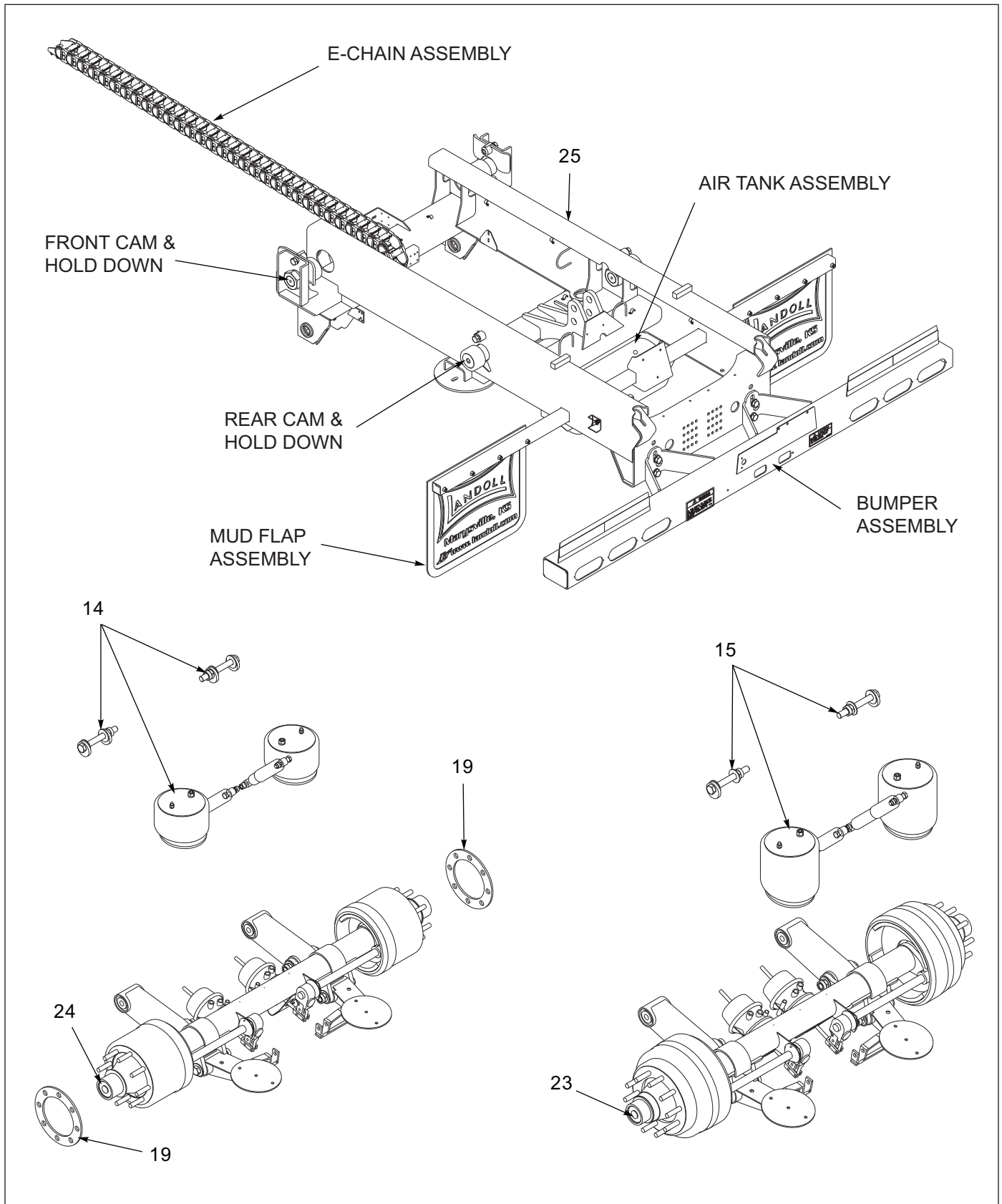


Figure 1-13: General Items (1 of 3)

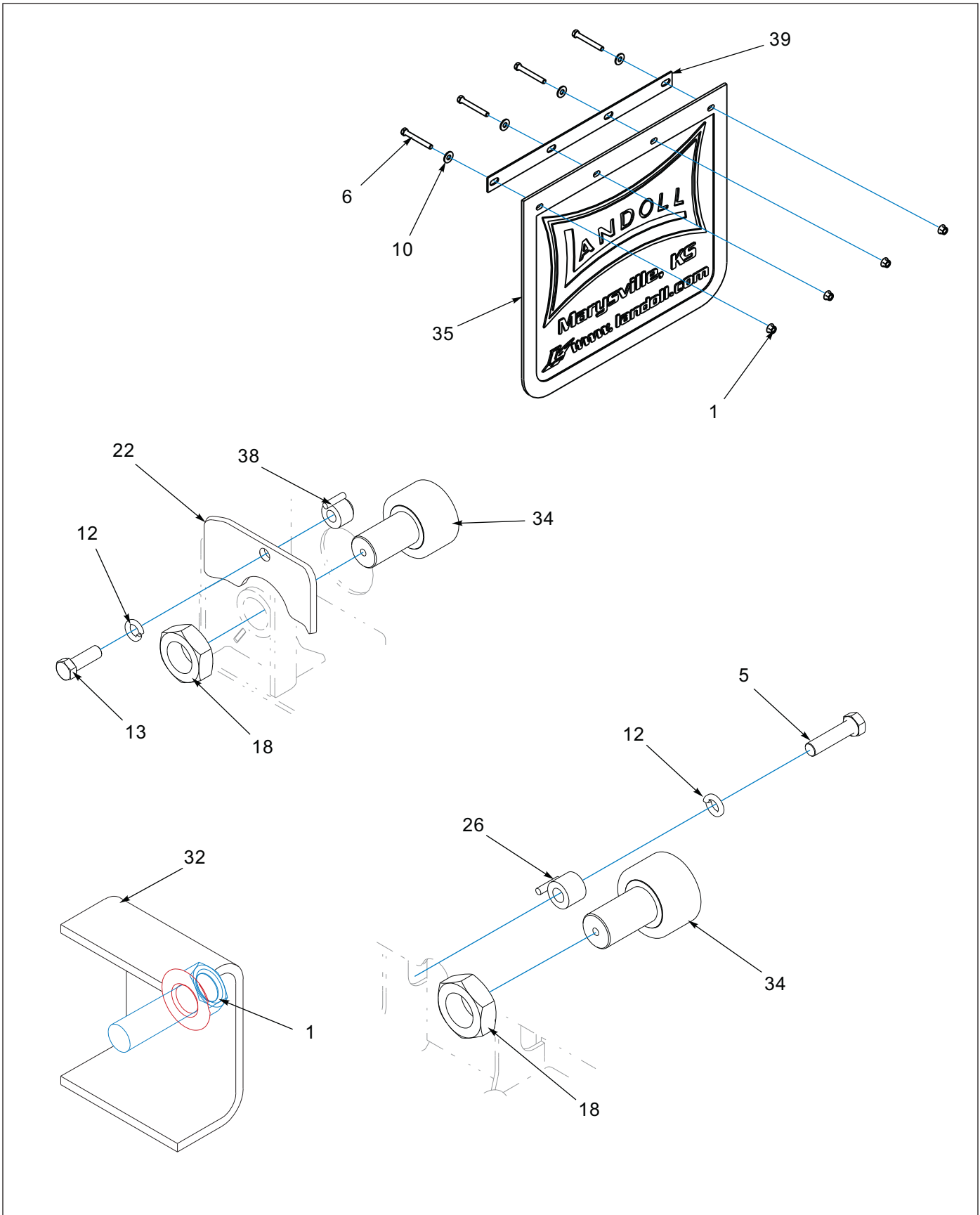


Figure 1-14: General Items (2 of 3)

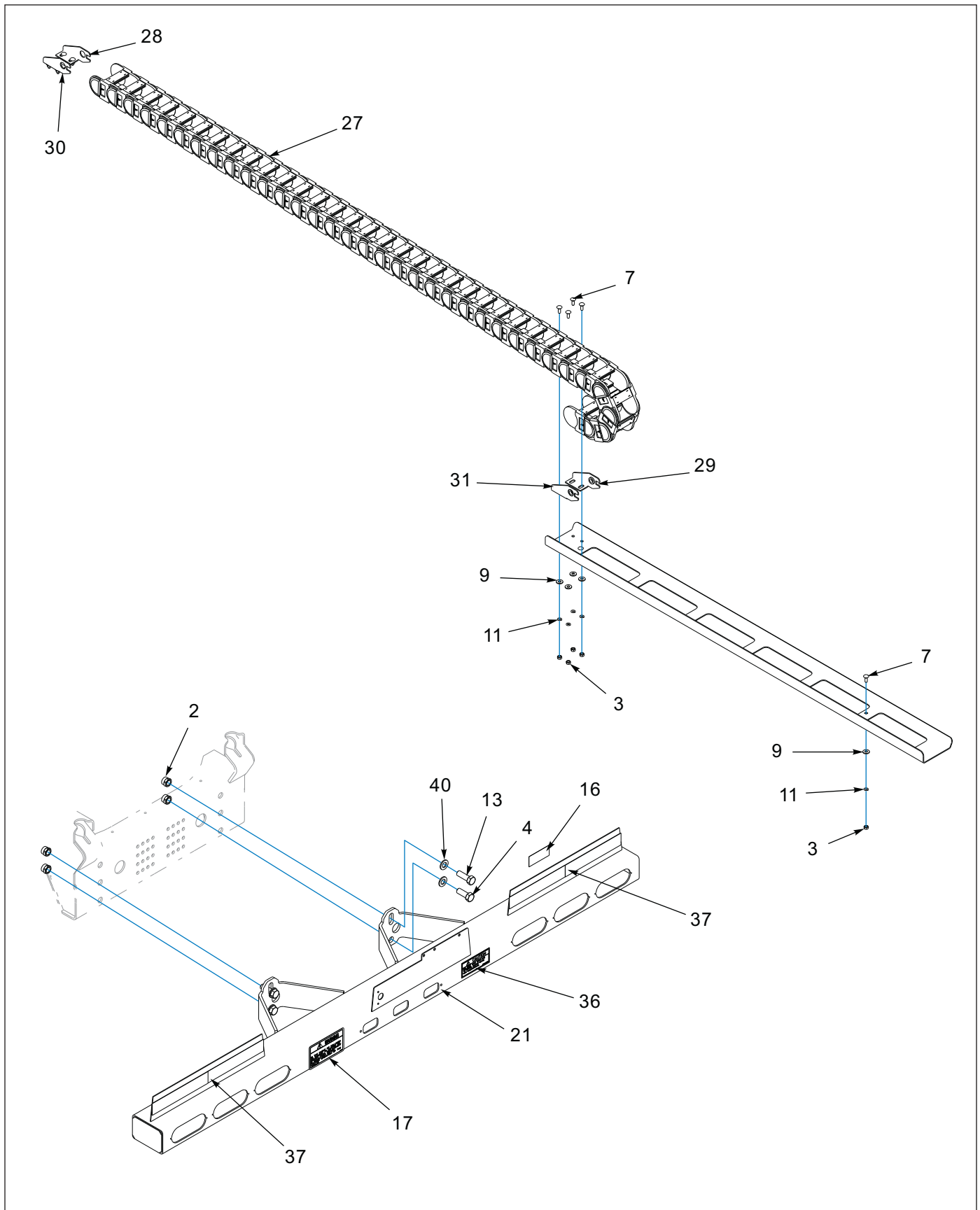


Figure 1-15: General Items (3 of 3)

General Items

ITEM	PART NO.	DESCRIPTION	QTY.			
	196576	SUSP ASSEMBLY 343A A/R LED TIS (REF. ONLY)	*			
	196578	SUSP ASSEMBLY 343A 2512 A/R LED TIS (REF. ONLY)		*		
	201034	SUSP ASSEMBLY 343A 2516 THERM TIS (REF. ONLY)			*	
	201037	SUSP ASSEMBLY 343A 2512 THERM TIS (REF. ONLY)				*
1	1-510-010001	NUT, 3/8-16 UNC FLANGE LOCK	11	11	11	11
2	1-512-010005-15	NUT, HEX, SLFLKG, 3/4-10 GRB	4	4	4	4
3	1-512-010007-05	NUT, HEX, 1/4-20 UNC, GR2	10	10	10	10
4	1-654-010032-05	SCREW, HEX CAP, 3/4-10UNCX2 GR8	2	2	2	2
5	1-654-010032-09	SCREW, HEX CAP, 3/4-10UNCX3 GR8	2	2	2	2
6	1-654-010051-13	SCREW, HEX CAP, 3/8-16UNCX3	8	8	8	8
7	1-654-010158-1	SCREW, RDHD SQNK, 1/4-20UNCX3/4	10	10	10	10
8	1-843-010014	VALVE EXTENSION, STEM, 3 IN.	2	2	2	2
9	1-861-010032-07	WASHER, FLAT, ZP/CD 1/4W	10	10	10	10
10	1-861-010032-11	WASHER, FLAT, ZP/CD 3/8W	8	8	8	8
11	1-861-010034-09	WASHER, LKG, HLCL SPR, 1/4	10	10	10	10
12	1-861-010034-07	WASHER, LKG, HLCL SPR, #10	4	4	4	4
13	100941	SCREW, HEX CAP, 3/4-10UNCX2-1/4	4	4	4	4
14	102363	SUSPENSION, ADJ RLU 228 3.5	REF	REF	REF	REF
15	102364	SUSPENSION, ADJ RLU 228 5.5	REF	REF	REF	REF
16	103055	DECAL, ENERGY BUMPER CERT	1	1	1	1
17	103056	DECAL, ENERGY WARNING BUMPER	1	1	1	1
18	104034	NUT, HEX, JAM, 2-12UNF GR2	4	4	4	4
19	109214	SPACER, WHEEL 17.5 HUB PILOT	REF	REF	REF	REF
20	118897	TRAY E-CHAIN 425	1	1	1	1
21	119580	BUMPER WLDMT 660 TUBE W/EP	REF	REF	REF	REF
21	204955	BUMPER WLDMT 102 WIDE U/C	REF	REF	REF	REF
22	140829	PLATE WEAR, 435 U/C	2	2	2	2
23	164428	AXLE WLDMT RLU 228 BIG BRAKE	REF	REF	REF	REF
24	169424	AXLE WLDMT RLU 228 LITTLE BRAKE	REF	REF	REF	REF
25	177508	UNDERCARRIAGE WLDMT 343 A/R	1	1	1	1
26	184395	HOLD DOWN 343 U/C	2	2	2	2
27	189316	SUPPORT, E-CHAIN, MODEL 3838	1	1	1	1
28	190700ZP	BRACKET E-CHAIN LH	1	1	1	1
29	190701	BRACKET WLDMT E-CHAIN LH	1	1	1	1
30	190705ZP	BRACKET E-CHAIN RH	1	1	1	1
31	190706	BRACKET WLDMT E-CHAIN RH	1	1	1	1
32	2-181-010001	HOSE CLAMP	3	3	3	3
33	#242 LOCKTITE	LOCKTITE, BLUE REMOVABLE	REF	REF	REF	REF
34	3-076-010005	CAM FOLLOWER, 4 IN. DIA	4	4	4	4
35	3-485-010001	MUD FLAP, 21 IN.	2	2	2	2
36	3-573-010031	DECAL BUMPER	1	1	1	1
37	3-573-010377	DECAL, 2 IN., REFLEXITE TAPE, RED/WHITE	48FT	48FT	48FT	48FT
38	3-762-010016	HOLD DOWN, UNDERCARRIAGE	2	2	2	2
39	3-762-010017	CLAMP, MUD FLAP	2	2	2	2
40	622-3511-008	WASHER, FLAT 3/4 MIL-CARB SAE	4	4	4	4
41	3-780-010002	AIR TANK ASSEMBLY (SEE PAGE 1-31)	REF	REF	REF	REF

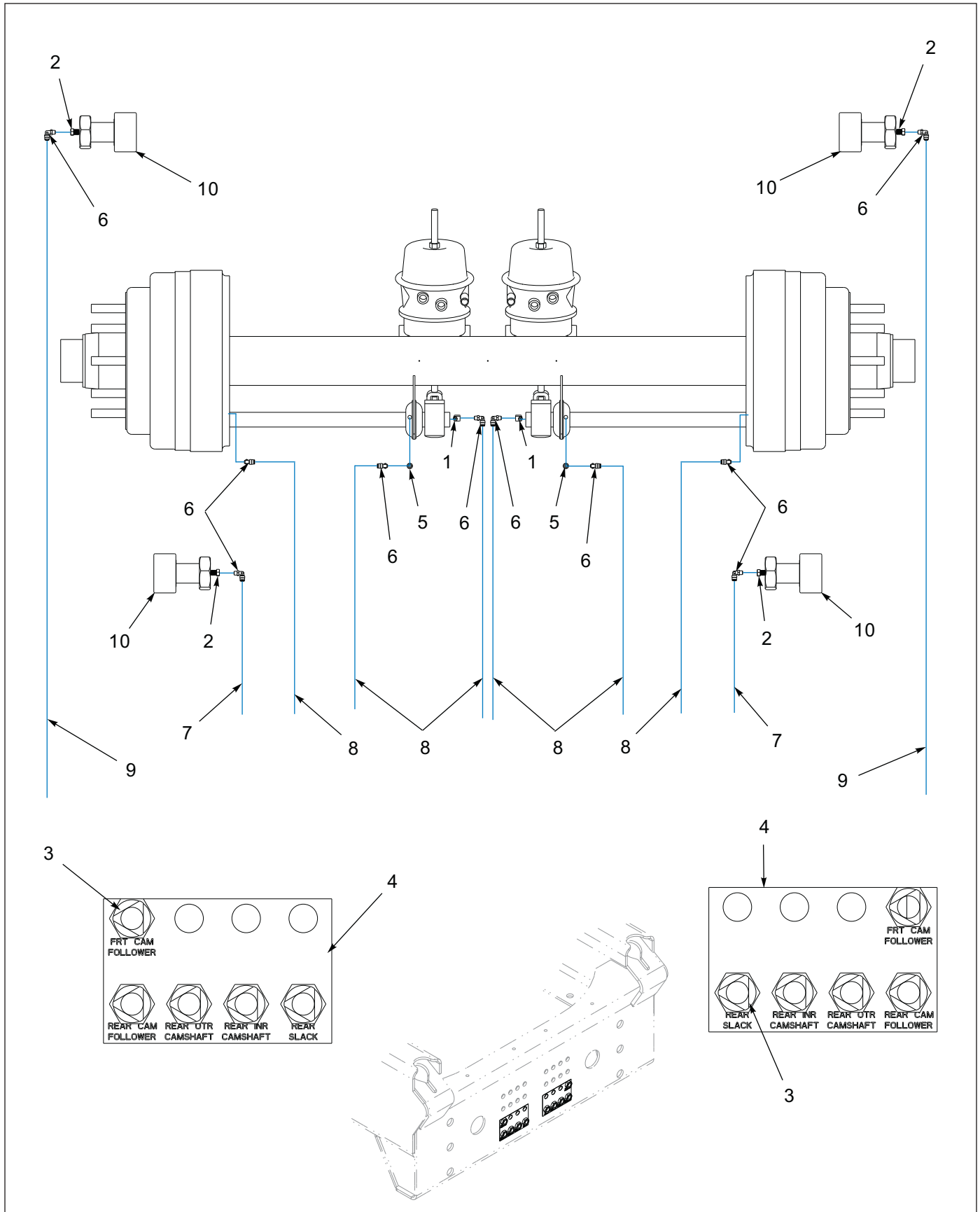


Figure 1-16: Grease System

Grease System

ITEM	PART NO.	DESCRIPTION	QTY.
1	101528	ELBOW, BRASS PIPE STREET	2
2	216599	FITTING, GREASE 1/4 TUBE X 1/4 NPT	2
3	142545	NUT, HEX, JAM 7/16-20 UNC	10
4	142553	DECAL, GREASE, TRL U/C	2
5	202094	ADAPTER 5/16-18X1/8 NPT	2
6	202099	FITTING GREASE 90 SWIV P-T-C 1/8NPT (M) 1/4T	10
7	202103	HOSE ASSEMBLY, GREASE 1/8X45	2
8	202106	HOSE ASSEMBLY, GREASE 1/8X72	6
9	202111	HOSE ASSEMBLY, GREASE 1/8X102	2
10	3-076-010005	CAM FOLLOWER, 4 IN. DIA	4
11	216600	FITTING, GREASE 90 SWIV P-T-C 1/4NOT(M) 1/4T (NOT SHOWN)	4

Suspension

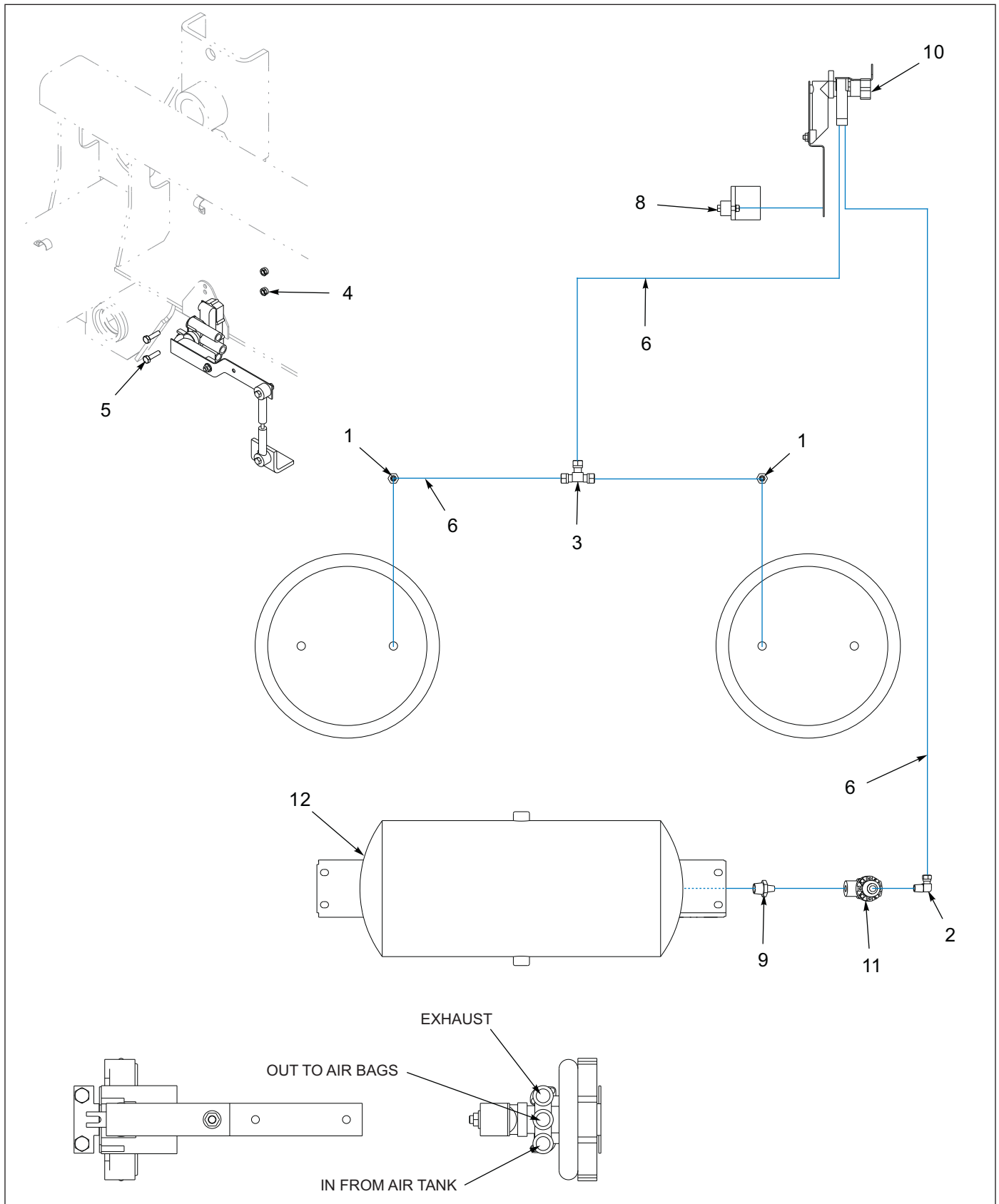


Figure 1-17: Air Ride Suspension

Air Ride Suspension

ITEM	PART NO.	DESCRIPTION	QTY.
1	1-297-010007-05	FITTING, AIR 1/4 TUBE X 1/4 NPT	2
2	1-297-010008-07	FITTING, AIR 90	1
3	1-297-010010-01	FITTING, AIR UNION TEE	1
4	1-512-010005-01	NUT, HEX LOCK 1/4-20 GRB	2
5	1-654-010047-06	SCREW, HEX, 1/4-20UNCX1 GR5	2
6	1-833-010001	TUBING, NYLON 1/4 OD	8
7	102732	AIR CONTROL KIT (ITEMS 10 & 11) (SEE PAGE 1-30)	1
8	111021	KIT, SRK-167 NEWAY, 48100224	REF
9	2083-8-4S	NIPPLE, 1/4NPT X 1/2NPT	1
10	900 54 007	HEIGHT CONTROL VALVE	1
11	905-54-107	BRAKE PROTECTION VALVE	1
12	3-780-010002	TANK, AIR	1

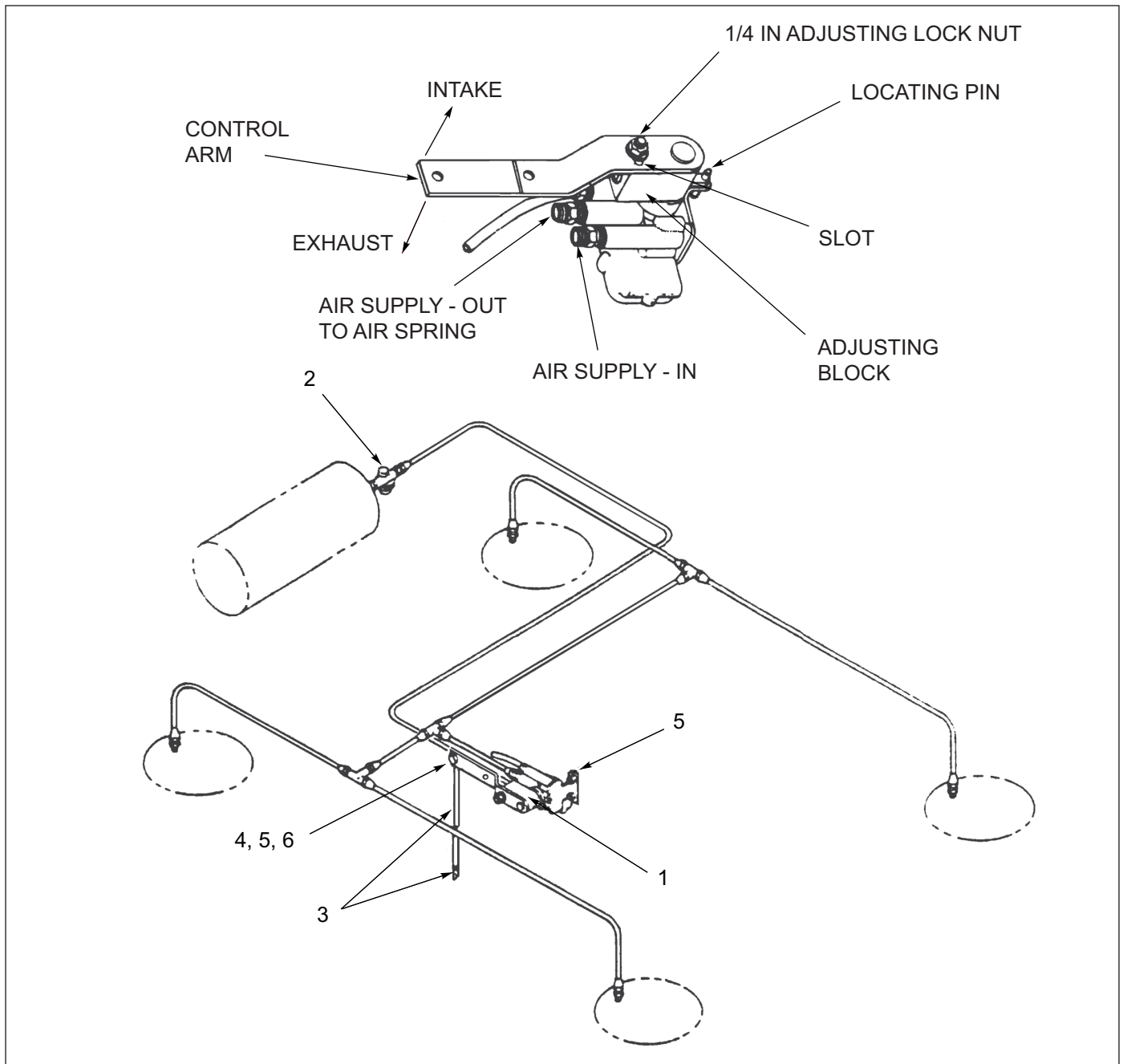


Figure 1-18: Air Control Kit

Air Control Kit

ITEM	PART NO.	DESCRIPTION	QTY.
	102732	AIR CONTROL KIT, NEW (REF. ONLY)	
1	900-54-007	HEIGHT CONTROL VAVLE	1
2	905-54-107	AIR PRESSURE PROTECTION VALVE & FILTER	1
3	111021	SRK-167 KIT - ADJ. LINK ASSEMBLY	1
4	1-654-010047-04	SCREW, HEX HEAD CAP, 1/4-20 X 3/4 GR5	2
5	1-512-010005-01	LOCK NUT, 1/4-20	2
6	-----	DECAL-OPERATING	1

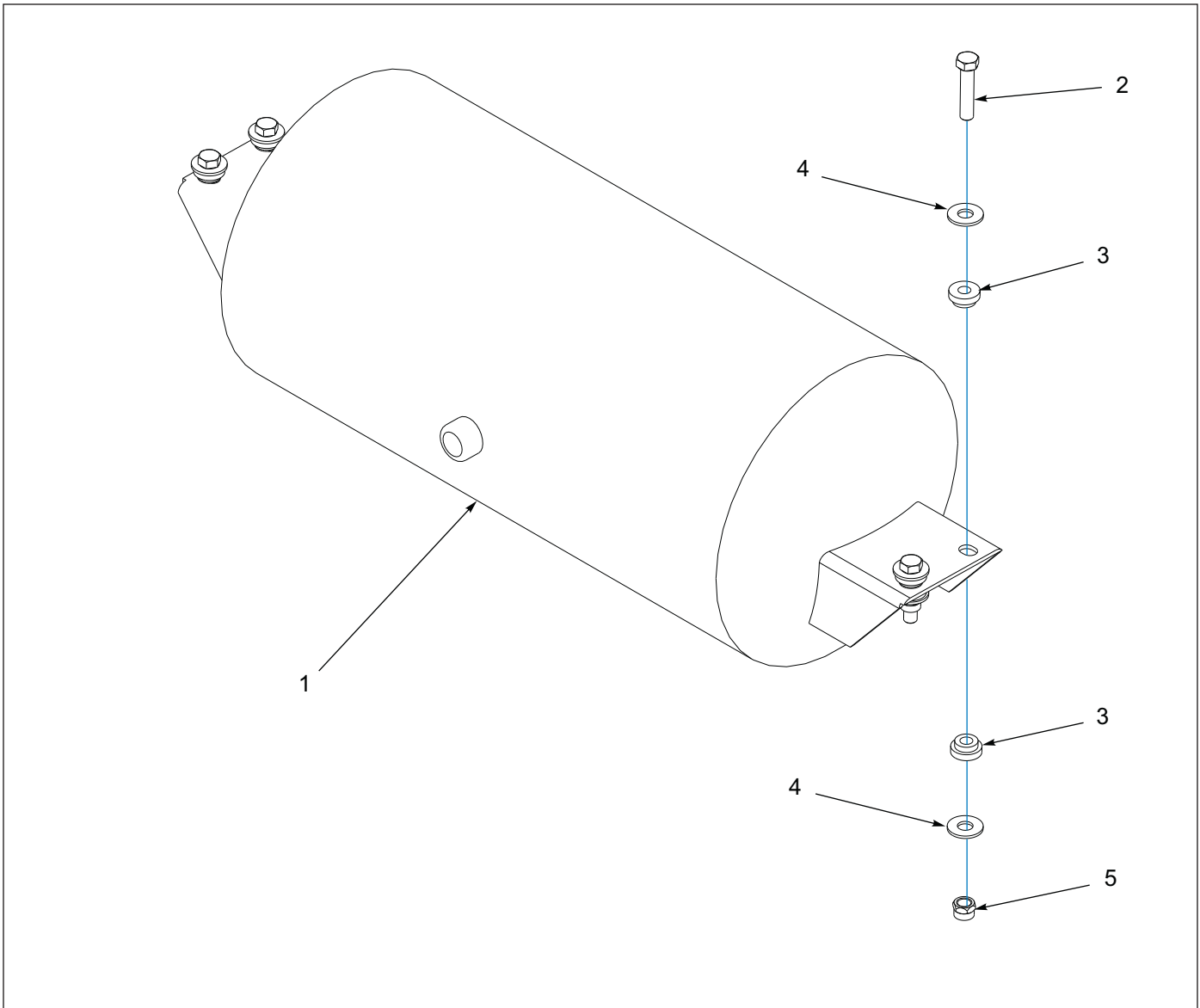


Figure 1-19: Air Tank Assembly

Air Tank Assembly

ITEM	PART NO.	DESCRIPTION	QTY.
1	3-780-010002	TANK, AIR 9.5X22.5 0.5NPT PORTS	REF
2	1-654-010051-08	SCREW, HEX, 3/8-16UNCX1-3/4 GR5	4
3	805-2	BUSHING, STEP	8
4	1-861-010032-11	WASHER, FLAT, ZP/CD, 3/8W	8
5	1-512-010005-05	NUT, HEX, SLFLKG, 3/8-16 UNC, GRB	4

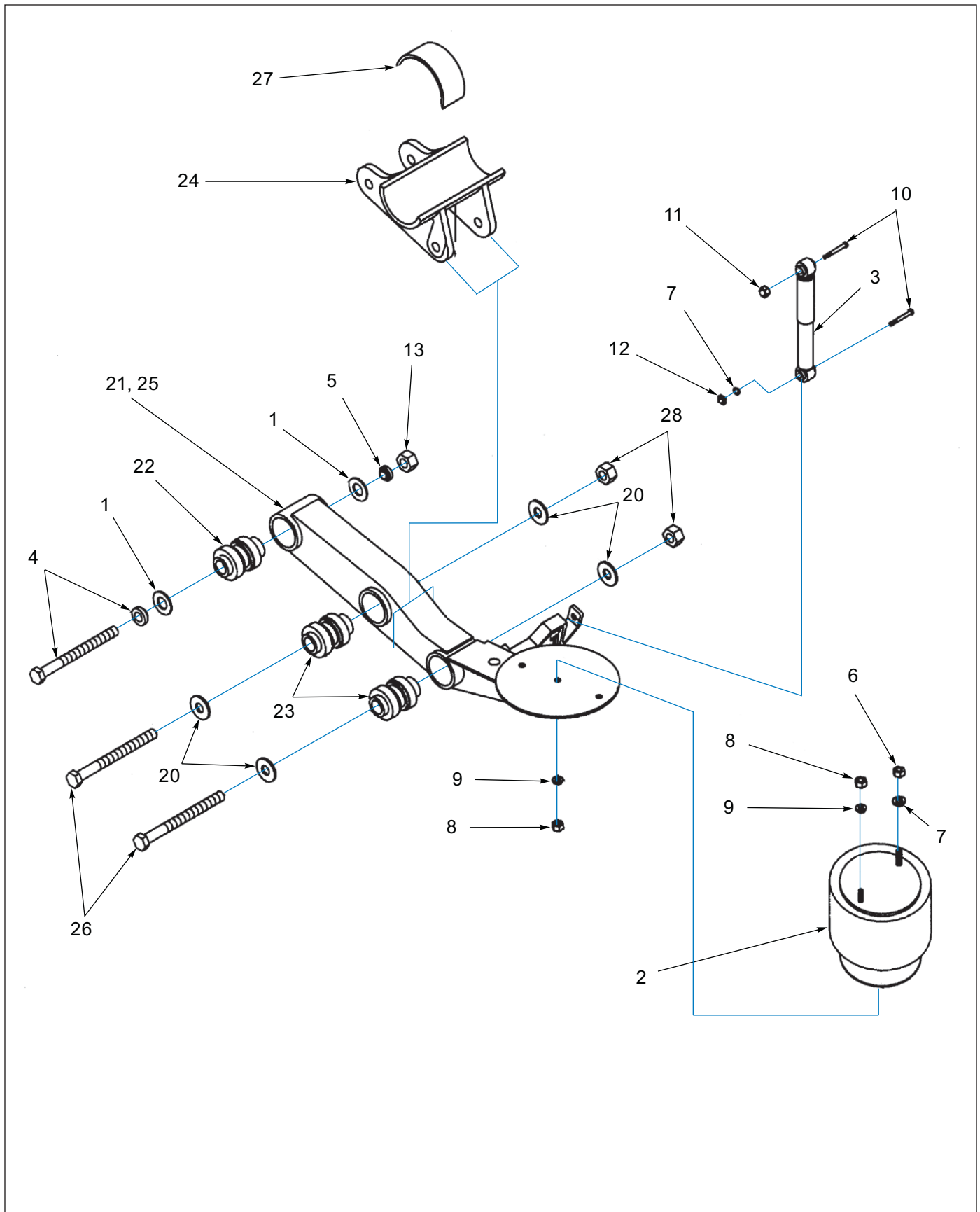


Figure 1-20: Suspension Hanger RLU-228

Suspension Hanger RLU-228

ITEM	PART NO.	DESCRIPTION	QTY.
	102363	SUSPENSION, ADJ. RLU-228-3.5 (ITEMS 1-19)	
	102364	SUSPENSION, ADJ. RLU-228-5.5 (ITEMS 1-19)	
	102361	SUSPENSION, BEAM. RLU-228 (ITEMS 20-28)	
1	111010	FLAT WASHER	2
2	905-57-129	AIR SPRING ASSEMBLY - 102363	2
2	111016	AIR SPRING ASSEMBLY - 102364	2
3	900 45 040	SHOCK - 102363	2
3	111017	SHOCK - 102364	2
4	90508009	ALIGN BUSH ASSEMBLY	2
5	129006	ALIGN BLOCK, NON WELD	2
6	934 00 149	3/4-16 HEX NUT GRB	2
7	936 00 077	LOCK WASHER, 3/4 IN.	4
8	1-512-010007-09	HEX NUT, 1/2-13	4
9	1-861-010034-13	LOCK WASHER, 1/2 IN.	4
10	105408	HEX HEAD CAP SCREW 3/4-10 X 3-1/2	4
11	934-00-492	LOCK NUT, 3/4-10	2
12	111022	3/4-10 SQUARE NUT	2
13	111008	LOCK NUT 1-1/8-7	2
14	111018	ANCHOR, RIDE HEIGHT CONTROL VALVE (NOT SHOWN)	1
15	-----	LITERATURE INSTRUCTIONS (NOT SHOWN)	1
16	-----	LITERATURE SPEC (NOT SHOWN)	1
17	-----	LITERATURE FORM 864 (NOT SHOWN)	1
18	-----	LITERATURE LABEL (NOT SHOWN)	1
19	-----	LITERATURE LABEL (NOT SHOWN)	1
20	111010	FLAT WASHER	8
21	111013	EQUALIZING BEAM ASSEMBLY LH	1
22	900-08-139	RUBBER BUSHING - FRONT PIVOT	2
23	111011	RUBBER BUSHING - AXLE CONNECTION	4
24	111012	AXLE ADAPTER ASSEMBLY	2
25	111014	EQUALIZING BEAM ASSEMBLY RH	1
26	111023	HEX HEAD CAP SCREW 1-1/8-7 X 8-1/2	4
27	111015	SAFETY STRAP	2
28	934-00-506	LOCK NUT 1-1/8-7	4
29	109533	ALIGNMENT BLOCK KIT	1
30	126900	BRACKET BOTTOM SHOCK - RLU-228	1
31	141708	WIRE ROPE STRAP KIT RLU 228-3.5	1
31	127708	WIRE ROPE STRAP KIT RLU 228-5.5	1
32	111019	FASTENER KIT (ITEMS 1, 4-11, 13 & 15)	1

Air Brake System

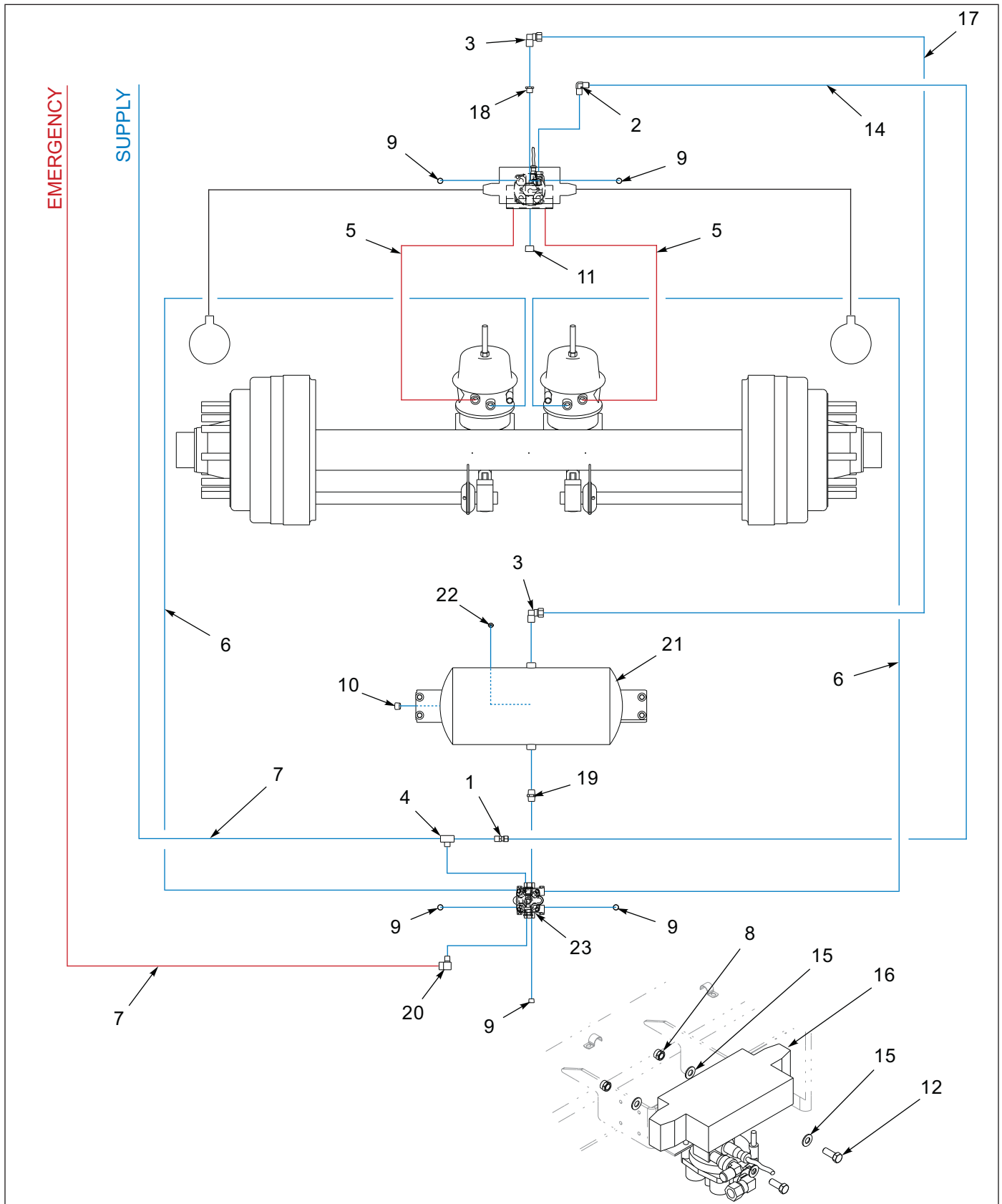


Figure 1-21: Air Brake System

Air Brake System

ITEM	PART NO.	DESCRIPTION	QTY.
	196576	SUSP ASSEMBLY 343A A/R LED TIS (REF. ONLY)	
	196578	SUSP ASSEMBLY 343A 2512 A/R LED TIS (REF. ONLY)	
	201034	SUSP ASSEMBLY 343A 2516 THERM TIS (REF. ONLY)	
	201037	SUSP ASSEMBLY 343A 2512 THERM TIS (REF. ONLY)	
1	1-297-010007-12	FITTING, AIR 3/8 TUBE TO 3/8 NPT	1
2	1-297-010008-20	FITTING AIR, 90 3/8 TUBE X 3/8 NPT	1
3	1-297-010008-26	FITTING AIR, 90, 5/8 TUBE TO 1/5 NPT	2
4	1-297-010017-03	FITTING AIR, PIPE M/BR TEE 3/8	1
5	1-384-010038038	HOSE AIR 3/8X38 W/3/8 ENDS	2
6	1-384-010038060	HOSE AIR, 3/8X60 W/3/8 ENDS	2
7	1-384-010038204	HOSE AIR, 3/8X204 W/3/8 ENDS	2
8	1-512-010005-05	NUT, HEX, SLFLKG, 3/8-16 UNC, GRB	2
9	1-560-010002-03	PLUG, PIPE 3/8NPTF	5
10	1-560-010002-04	PLUG, PIPE, 1/2 NPT (NEEDED W/O TIRE INFLATION INSTALLED)	1
11	1-560-010002-05	PLUG, PIPE, 3/4-14 NPTF	1
12	1-654-010051-05	SCREW, HEX, 3/8-16UNCX1 GR5	2
13	1-796-010003-01	TIE STRAP, PLASTIC (NOT SHOWN)	10
14	1-833-010002	TUBING, NYLON 3/8 OD	9
15	1-861-010032-10	WASHER, FLAT, ZP/CD, 3/8N	4
16	114585	BRAKE KIT, ABS, ROCKWELL (SEE PAGE 1-36)	1
17	117304	TUBING, NYLON, 5/8 OD	8
18	118-2659-9	BUSHING, 1/2NPT X 3/4NPT STL	1
19	2083-8-8S	NIPPLE, HEX, 1/2 PIPE - 1/2 PIPE	1
20	2089-6-6S	ADAPTER 903/8MPTX3/8FPT	1
21	3-780-010002	TANK, AIR 9.5X22.5 .5NPT PORTS (SEE PAGE 1-31)	1
22	56D4	COCK, DRAIN AIR TANK VEL036019	1
23	758-181	VALVE, TASK, 4-PORT	1

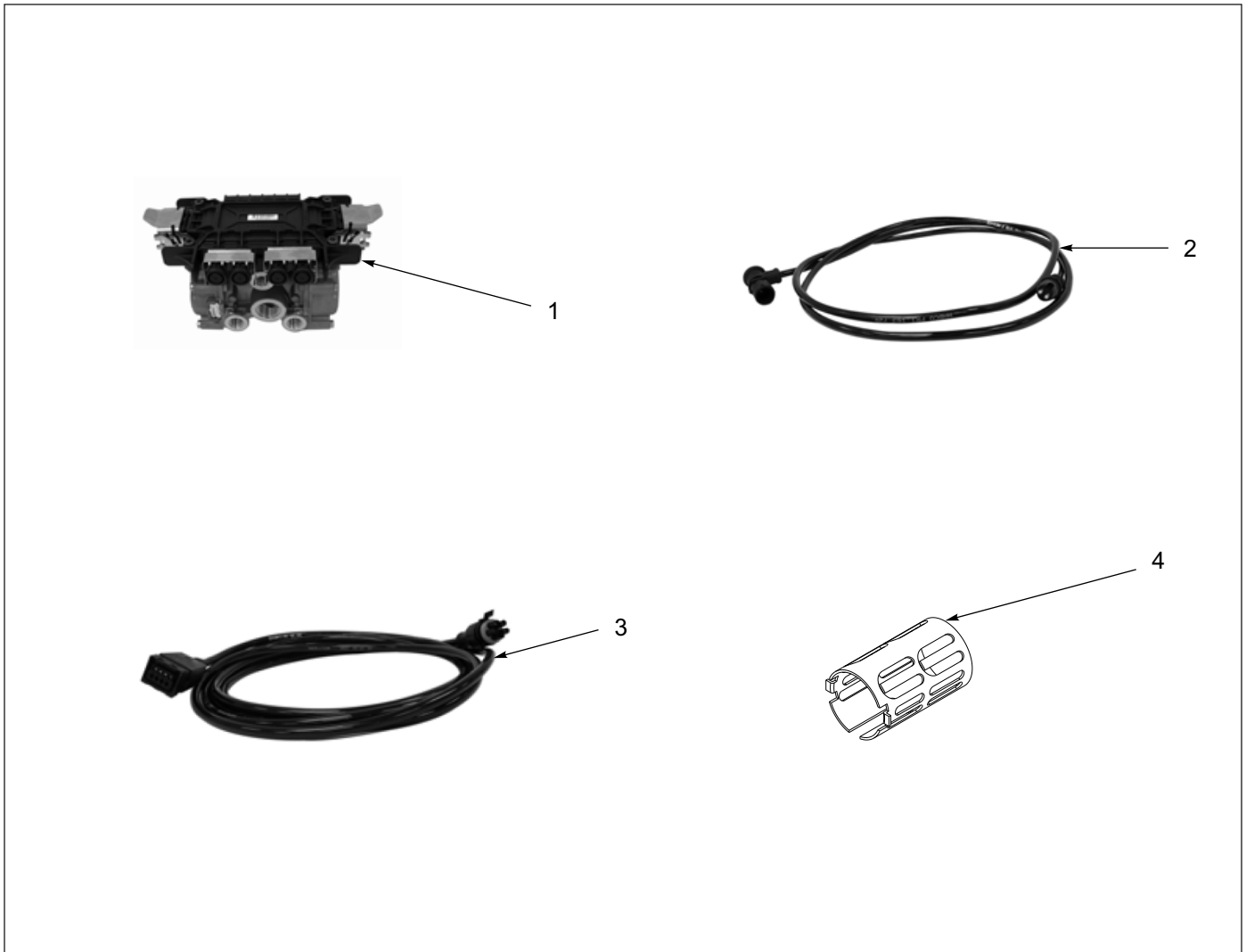


Figure 1-22: ABS Brake Kit - Rockwell

ABS Brake Kit - Rockwell

ITEM	PART NO.	DESCRIPTION	QTY.
	114584	ABS BRAKE KIT 4S/2M	
	114586	ABS BRAKE KIT 4S/2M-TRI/SPRD	
1	114588	ECU/VALVE ASSEMBLY	1
2	101848	SENSOR EXTENSION CABLE - 6 FT (114584)	4
2	103861	SENSOR EXTENSION CABLE - 10 FT (114586)	4
3	147464	POWER/DIAGNOSTIC CABLE 4.0M/3.0M	1
4	101849	SPRING CLIP, ABS SENSOR	2
5	101847	ABS SENSOR CABLE-4M 90° (1FT) (NOT SHOWN)	2

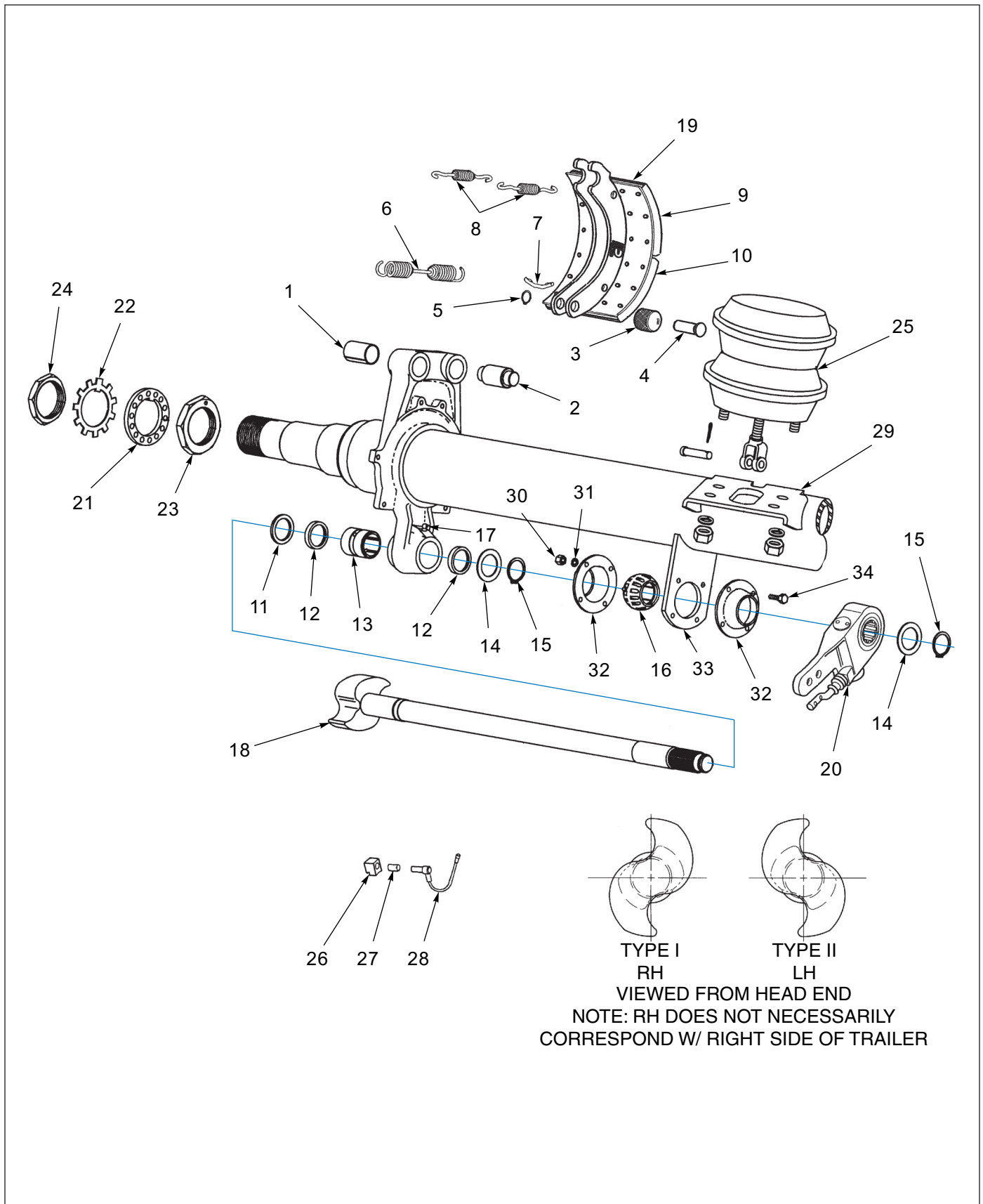


Figure 1-23: Axle and Brake Assembly - Dexter (12-1/4" X 7-1/2")

Axle and Brake Assembly - Dexter (12-1/4" X 7-1/2")

ITEM	PART NO.	REFERENCE NO.	DESCRIPTION	QTY.
	212381		AXLE WLDMT 2512 SPG 77X36	
	-----	K71-133-00	BRAKE BLOCK KIT (ITEMS 4A, 4B, & P/N 022-018-00)	1
	K71-460-00	K71-460-00	BRAKE SHOE HARDWARE KIT (ITEMS 2, 3, & 5-9)	1
	-----	K71-101-00	CAMSHAFT REPAIR KIT (ITEMS 10-15, & 22)	1
1	-----	014-068-00	BUSHING, SPIDER ANCHOR PIN	4
2	-----	056-017-00	ANCHOR PIN	4
3	-----	014-057-00	ROLLER	4
4	-----	056-010-00	RETAINER, ROLLER PIN	8
5	-----	069-018-00	RETAINER, RING	8
6	-----	046-092-00	SPRING, SHOE RETRACTOR	2
7	056-018-00	056-018-00	RETAINER PIN, RETRACTOR SPRING	4
8	046-097-00	046-097-00	SPRING, KEEPER	4
9	-----	041-057-01	LINING, BRAKE BLOCK ANCHOR	2
10	-----	041-060-01	LINING, BRAKE BLOCK CAM	2
11	005-074-00	005-074-00	D" WASHER, CAMSHAFT	2
12	010-052-00	010-052-00	SEAL, GREASE	4
13	-----	014-056-00	BUSHING, CAMSHAFT SPIDER	2
14	-----	005-134-00	WASHER, CAMSHAFT END	2
15	069-078-00	069-078-00	RETAINER, CAMSHAFT END	2
16	-----	014-058-00	BUSHING, CAMSHAFT SUPPORT	2
17	-----	061-006-00	FITTING, GREASE 45°	2
18	136991	034-188-05	CAMSHAFT, 23-3/8" LH	1
18	136992	034-189-05	CAMSHAFT, 23-3/8" RH	1
19	040-320-01	040-320-01	SHOE AND LINING ASSEMBLY	4
20	156655	055-040-99	SLACK ADJUSTER, AUTOMATIC	2
21	005-098-00	005-098-00	WASHER, SPINDLE LOCK	2
22	005-099-00	005-099-00	WASHER, TABBED SPINDLE LOCK	2
23	006-114-00	006-114-00	NUT, INNER SPINDLE	2
24	006-115-00	006-115-00	NUT, OUTER SPINDLE	2
25	034-058-07	034-058-07	AIR CHAMBER, SPRING BRAKE	2
26	103805	024-100-00	SENSOR BLOCK	2
27	144979	097-002-00	RETAINER CLIP	2
28	101847	-----	ABS SENSOR CABLE-4M 90° (1FT)	2
29	034-048-00	034-048-00	AIR CHAMBER BRACKET	2
30	006-099-00	006-099-00	RETAINER NUT, CAM BUSH	8
31	005-079-00	005-079-00	LOCK WASHER	8
32	034-032-00	034-032-00	PLATE, BUSHING RETAINER (EACH HALF SOLD SEPERATELY)	4
33	034-031-00	034-031-00	PLATE, CAMSHAFT SUPPORT BRACKET	4
34	007-139-00	007-139-00	BOLT, RETAINER PLATE	8
35	138054	-----	SHOE AND LINING KIT (NOT SHOWN, PER AXLE)	1

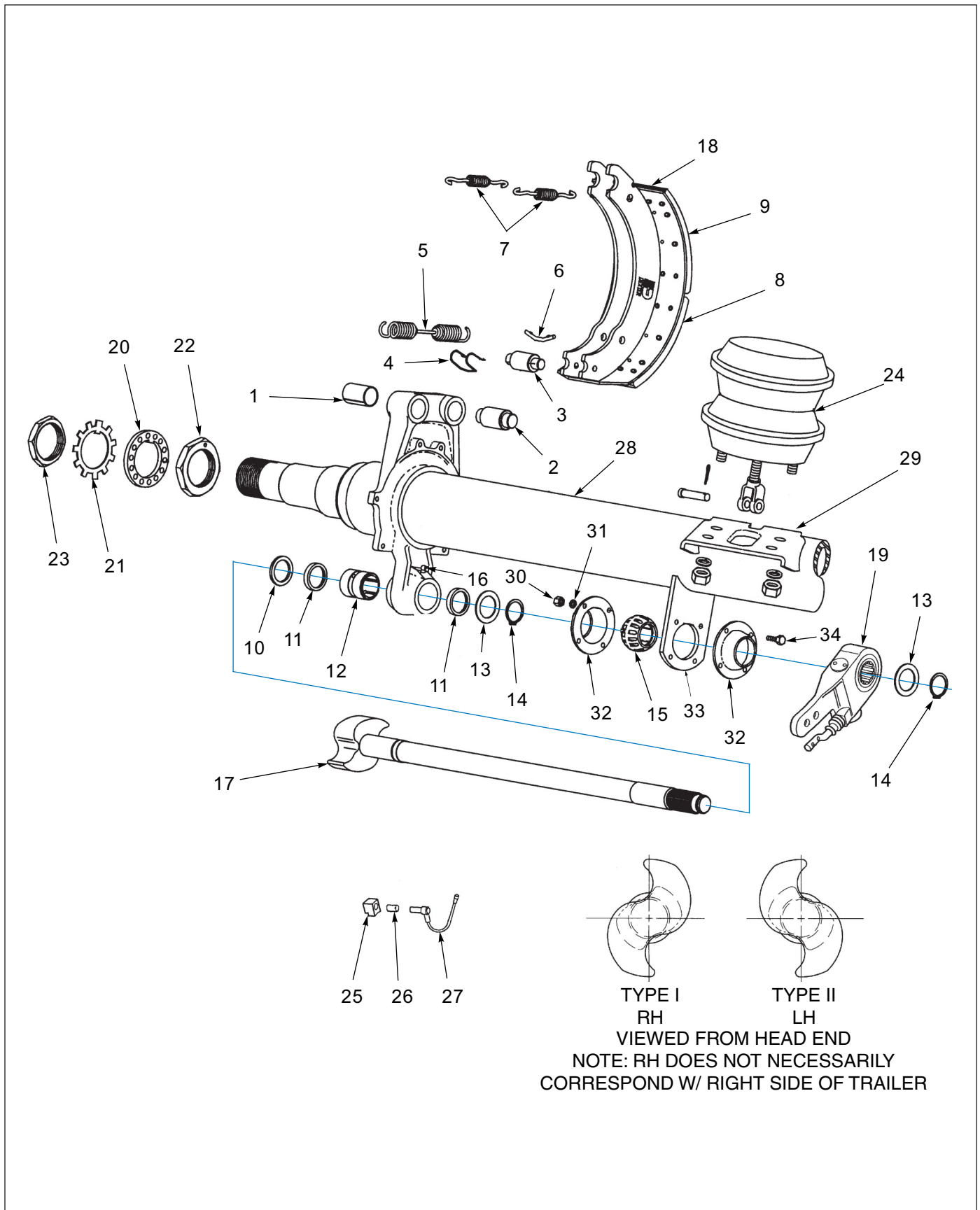


Figure 1-24: Axle and Brake Assembly - Dexter (16-1/2" X 7")

Axle and Brake Assembly - Dexter (16-1/2" X 7")

ITEM	PART NO.	REFERENCE NO.	DESCRIPTION	QTY.
	212421		AXLE WLDMT 2516 SPG 75X36	
	-----	K71-138-00	BRAKE BLOCK KIT (ITEMS 4A, 4B, & P/N 022-018-00)	1
	K71-136-00	K71-136-00	BRAKE SHOE HARDWARE KIT (ITEMS 2, 3, & 5-9)	1
	-----	K71-135-00	CAMSHAFT REPAIR KIT (ITEMS 10-15, & 22)	1
1	-----	014-068-00	BUSHING, SPIDER ANCHOR PIN	4
2	-----	056-017-00	ANCHOR PIN	4
3	014-065-00	014-065-00	ROLLER	4
4	071-122-00	071-122-00	RETAINER, ROLLER	4
5	046-096-00	046-096-00	SPRING, SHOE RETRACTOR	2
6	056-018-00	056-018-00	RETAINER PIN, RETRACTOR SPRING	4
7	046-097-00	046-097-00	SPRING, KEEPER	4
8	-----	041-058-01	LINING, BRAKE BLOCK CAM	2
9	-----	041-059-01	LINING, BRAKE BLOCK ANCHOR	4
10	005-096-00	005-096-00	D" WASHER, CAMSHAFT	2
11	010-052-00	010-052-00	SEAL, GREASE	4
12	-----	014-056-00	BUSHING, CAMSHAFT SPIDER	2
13	-----	005-134-00	WASHER, CAMSHAFT END	2
14	069-078-00	069-078-00	RETAINER, CAMSHAFT END	2
15	-----	014-058-00	BUSHING, CAMSHAFT SUPPORT	2
16	-----	061-006-00	FITTING, GREASE 45°	2
17	137461	034-192-08	CAMSHAFT, 25" LH	1
17	137485	034-193-08	CAMSHAFT, 25" RH	1
18	040-180-00	040-180-00	SHOE AND LINING ASSEMBLY	4
19	139383	055-040-98	SLACK ADJUSTER, AUTOMATIC	2
20	005-098-00	005-098-00	WASHER, SPINDLE LOCK	2
21	005-099-00	005-099-00	WASHER, TABBED SPINDLE LOCK	2
22	006-114-00	006-114-00	NUT, INNER SPINDLE	2
23	006-115-00	006-115-00	NUT, OUTER SPINDLE	2
24	034-057-01	034-057-01	AIR CHAMBER, SERVICE BRAKE	2
25	103805	024-100-00	SENSOR BLOCK	2
26	144979	097-002-00	RETAINER CLIP	2
27	101847	-----	ABS SENSOR CABLE-4M 90° (1FT)	2
28	-----	D-2H16	BEAM W/ BRACKETS	1
29	034-048-00	034-048-00	AIR CHAMBER BRACKET	2
30	006-099-00	006-099-00	RETAINER NUT, CAM BUSH	8
31	005-079-00	005-079-00	LOCK WASHER	8
32	034-032-00	034-032-00	PLATE, BUSHING RETAINER (EACH HALF SOLD SEPERATELY)	4
33	034-031-00	034-031-00	PLATE, CAMSHAFT SUPPORT BRACKET	4
34	007-139-00	007-139-00	BOLT, RETAINER PLATE	8
35	159001	-----	SHOE AND LINING KIT (NOT SHOWN, PER AXLE)	REF

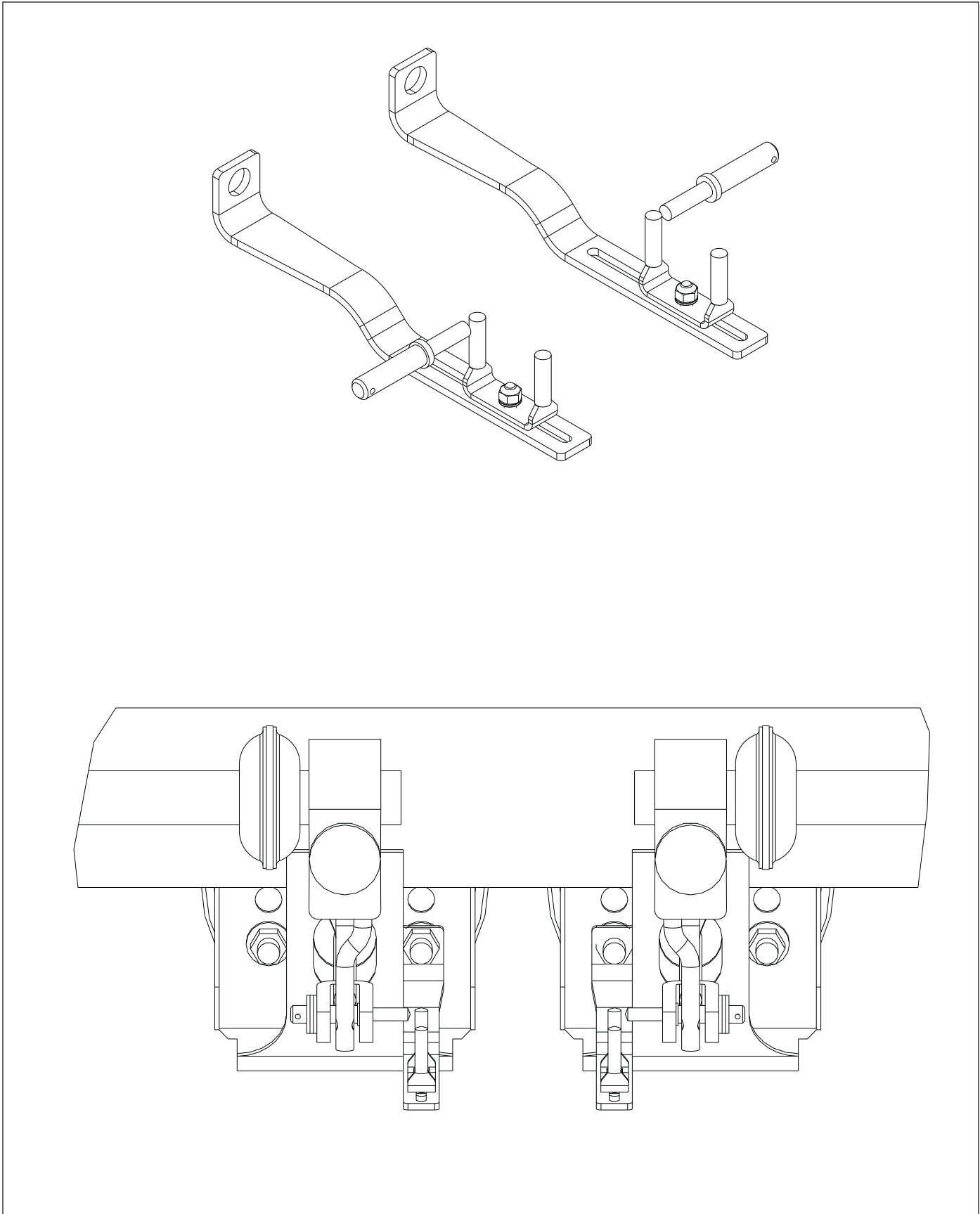


Figure 1-25: Brake Indicator - Long Brakesafe

Brake Indicator - Long Brakesafe

ITEM	PART NO.	DESCRIPTION	QTY.
	186931	BRAKE INDICATOR, LG BRAKESAFE (16.5 x 7 BRAKES)	REF
	186932	BRAKE INDICATOR, SHT BRAKESAFE (12.25 X 7.5 BRAKES)	REF

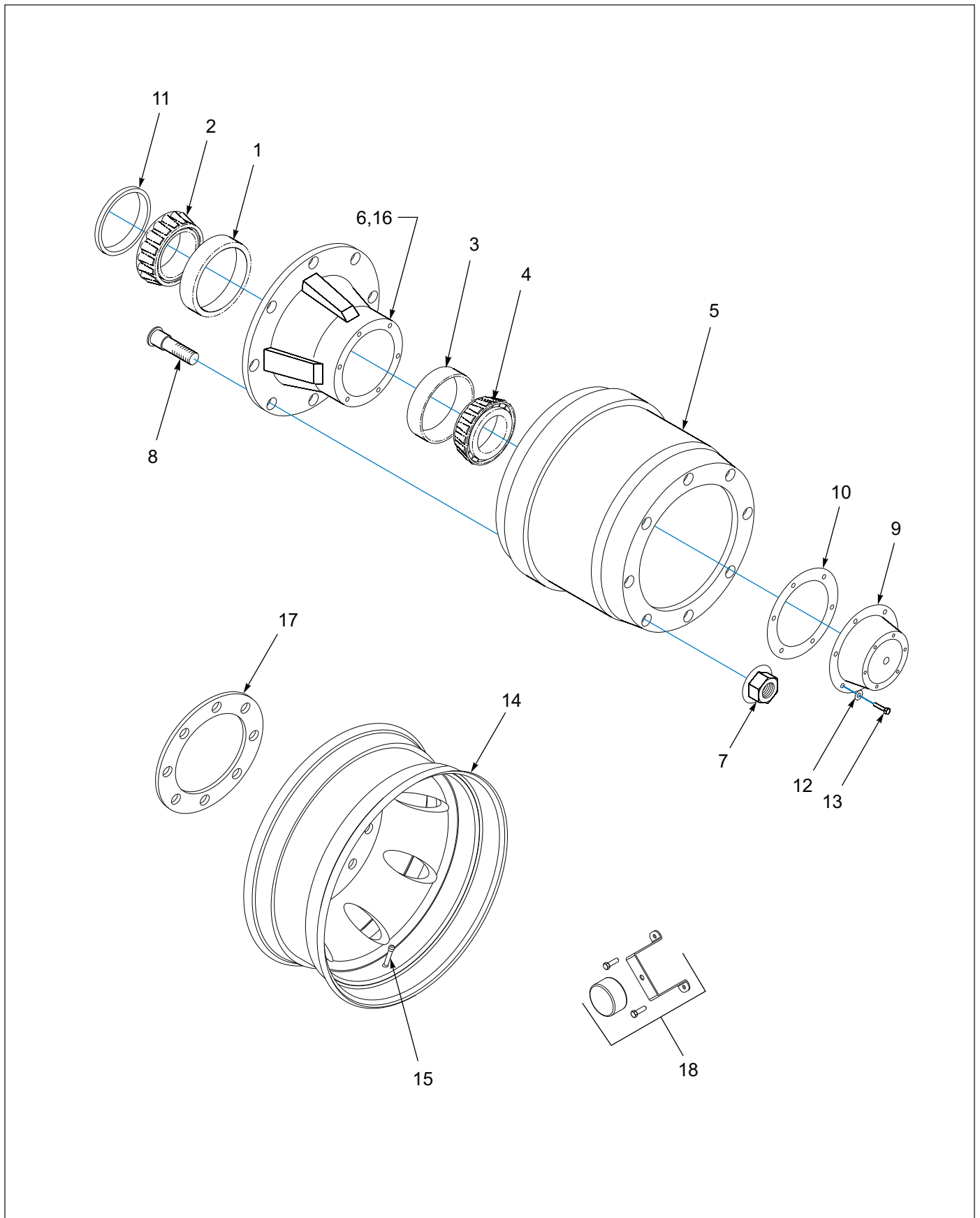


Figure 1-26: Outboard Pilot Mount Hub and Drum

Outboard Pilot Mount Hub and Drum

ITEM	PART NO.	DESCRIPTION	QTY.
1	HM218210	INNER BEARING CUP	1
2	HM218248	INNER BEARING CONE	1
3	HM212011	OUTER BEARING CUP	1
4	HM212049	OUTER BEARING CONE	1
5	63680	OUTBOARD MOUNTED BRAKE DRUM - 8 BOLT	1
5	110976	OUTBOARD MOUNTED BRAKE DRUM - 10 BOLT	1
6	112492	HUB, 8 BOLT	1
6	110975	HUB, 10 BOLT	1
7	179955	FLANGE NUT, 8 BOLT	8
8	113536	STUD, 22MM 3.5 STANDOUT	8
9	4009	CAP, HUB	1
10	3067	GASKET, OIL CAP	1
11	3-659-010012	SEAL	1
12	1-861-010034-10	WASHER, SPLIT LOCK 5/16	6
13	1-654-010049-03	SCREW, HEX HEAD CAP, 5/16-18 X 3/4 GR5	6
14	100402	WHEEL POL ALUM PILOT 17.5X6.75, 8 BOLT	1
14	3-870-010097	WHEEL,DISC,PILOT MT 17.5X6.75, 8 BOLT	1
14	112047	WHEEL AL PILOT 17.5X6.75 MACH, 8 BOLT	1
14	3-870-010104	WHEEL,DISC PILOT MT 22.5X7.50, 10 BOLT	1
14	3-870-010106	WHEEL,AL,PILOT MT22.5X7.5POL, 10 BOLT	1
14	3-870-010116	WHL,ALM,PLT MT 22.5X7.50, 10 BOLT	1
15	TR573	VALVE STEM	1
15	100401	VALVE STEM TR553C	1
15	TR545D	VALVE STEM	1
15	1-843-010014	VALVE STEM, EXTENSION 3"	1
16	-----	ABS TONE RING (REPLACE WITH BRAKE DRUM)	1
17	114619	WHEEL GUARD 8 HOLE 275 MM BC (USED W/ ALUMINUM)	1
17	3-870-010107	WHEEL GUARD 10 HOLE 285.75 MM BC	1
18	142550	HUBODOMETER W/ BRACKET, 235/75R17.5 TIRE	1
18	137108	HUBODOMETER W/ BRACKET, 255/70R 27.5 TIRE	1
18	123882	SPACER, WHEEL .375 X 10 HOLE HUB PILOT	1

Tire Inflation System

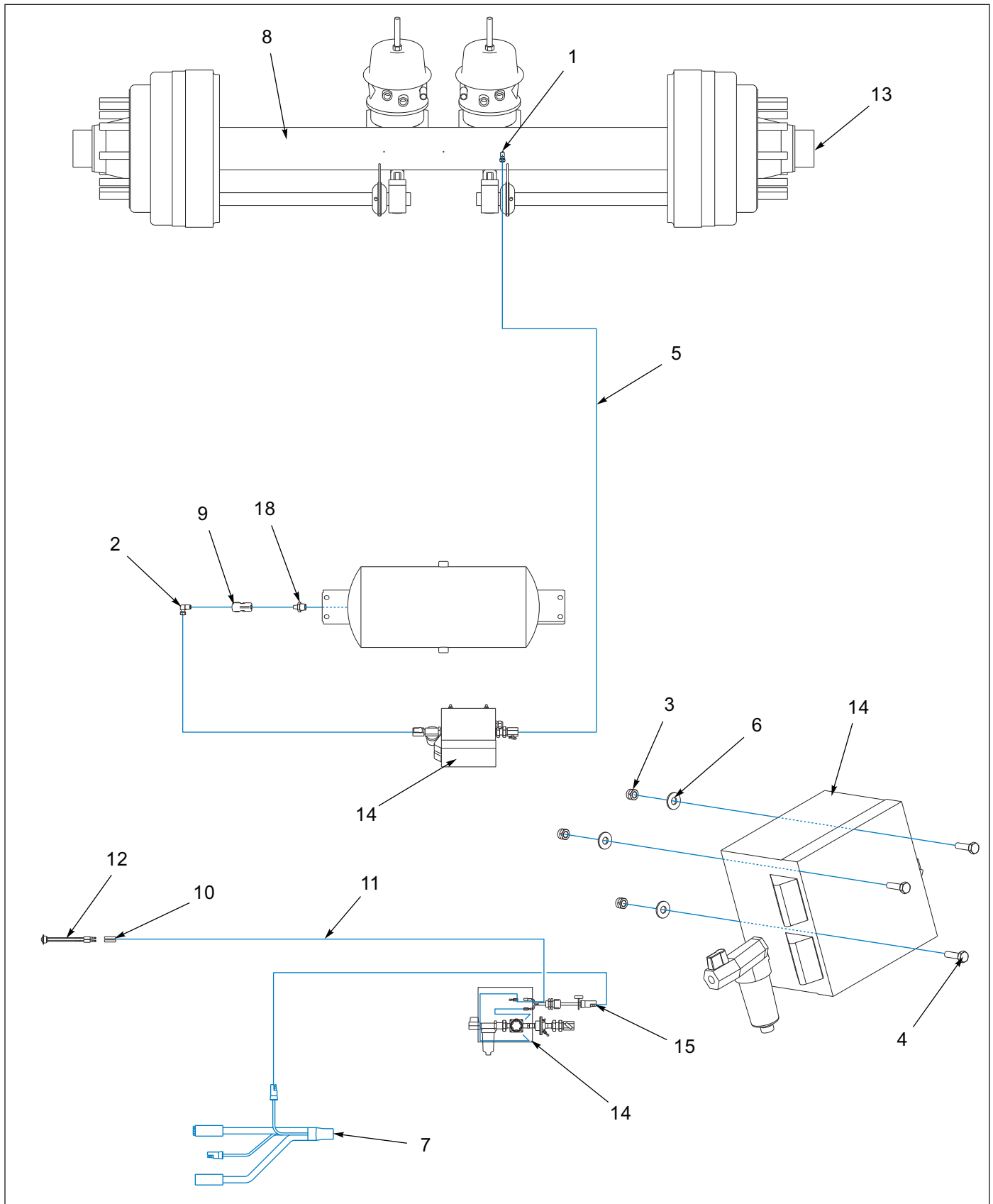


Figure 1-27: Tire Inflation System

Tire Inflation System

ITEM	PART NO.	DESCRIPTION	QTY.
	201034	SUSP ASSEMBLY 343A 2512 THERM TIS (REF. ONLY)	
	201037	SUSP ASSEMBLY 343A 2516 THERM TIS (REF. ONLY)	
1	1-297-010008-05	FITTING, AIR, 90, 1/4TUBEX1/8NPT	1
2	1-297-010008-07	FITTING, AIR, 90, 1/4 TUBE X 1/4 NPT	1
3	1-512-010005-01	NUT, HEX, SLFLKG, 1/4-20 UNC, GRB	3
4	1-654-010047-06	SCREW, HEX, 1/4-20UNCX1 GR5	3
5	1-833-010001	TUBING, NYLON 1/4 OD	REF
6	1-861-010032-07	WASHER, FLAT, ZP/CD, 1/4W	3
7	143103	HARNESS, E-CHAIN GROTE	1
8	164428	AXLE WLDMT 2516 SPG 75X36	1
9	168610	THERMALERT PRESSURE PROTECTION VALVE	1
10	168613	THERMALERT WIRING HARNESS	1
11	176473	HARNESS KIT, TIRE INFL 400/900	1
12	183413	LIGHT WHT LED, .75 CL/MK GROTE	1
13	197613	HUB CAP MTIS OIL AXLE	2
14	201030	THERMALERT TIS 1 AXLE	1
15	202207	HARNESS MOD, MTIS POWER HARNESS	1
16	205836	ORANGE WARNING DECAL MTIS	1
17	205837	YELLOW WARNING DECAL MTIS	2
18	2083-8-4S	NIPPLE, 1/4NPT X 1/2NPT	1
19	213333	PLUG, SPINDLE END (USED W/O TIRE INFLATION SYSTEM)	REF

Gearboxes

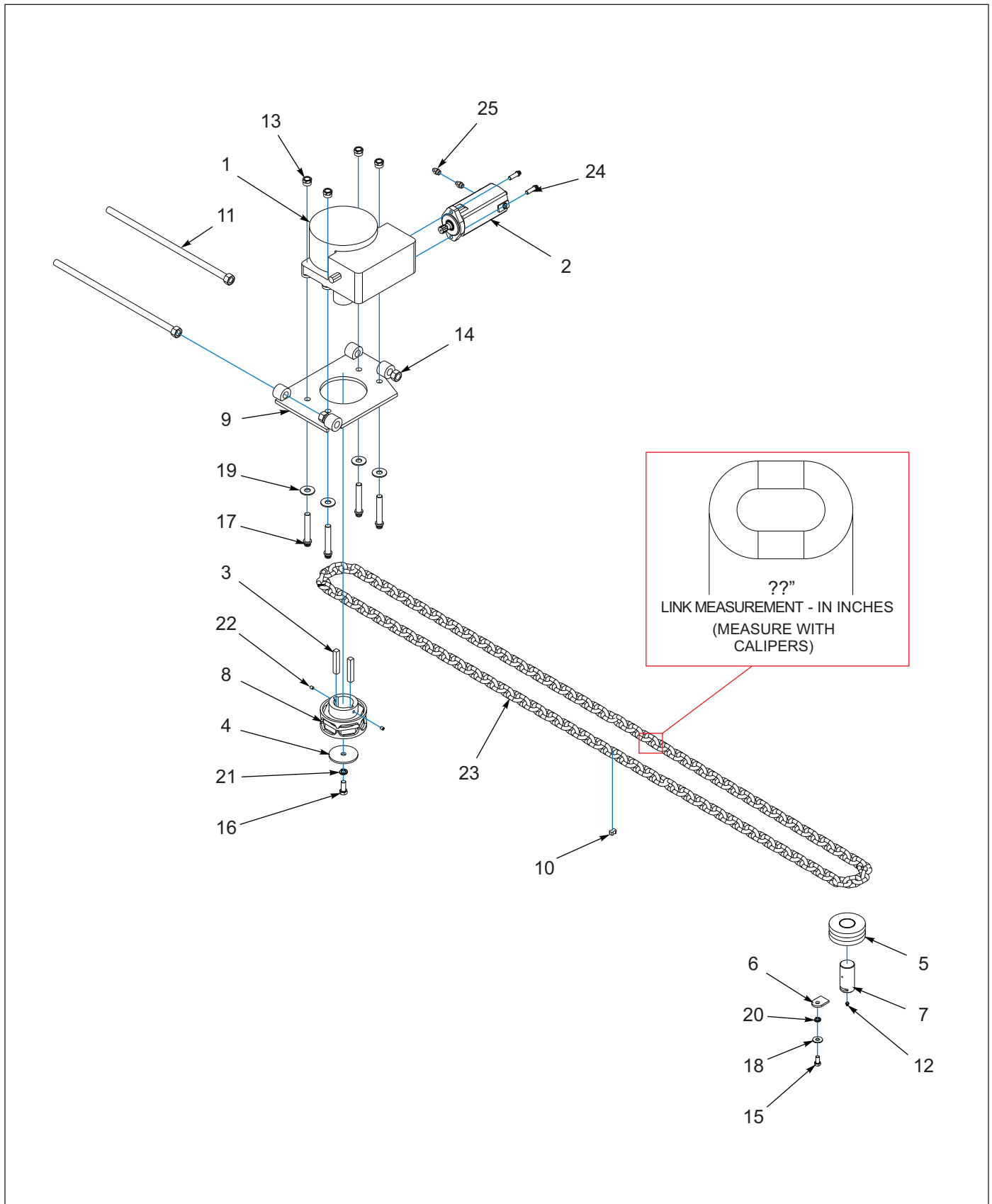


Figure 1-28: Gearbox Assembly

Gearbox Assembly

ITEM	PART NO.	DESCRIPTION	QTY.
	129215	GEARBOX ASSEMBLY, 340 TRL (REF. ONLY)	
	180898	GEARBOX ASSEMBLY, 343-43 TRL (REF. ONLY)	
	131256	GEARBOX ASSEMBLY, 340-50 TRL (REF. ONLY)	
1	126858	GEARBOX, BRADEN	1
2	126973	MOTOR FOR BRADEN GEARBOX	1
3	127598	SQUARE ROD, 5/8 X 3-3/4	2
4	128713	WASHER, KEEPER CHAIN GEAR	1
5	128801	IDLER, LOG CHAIN 1/2	1
6	128802	STOP, IDLER PIN	1
7	128803	PIN, IDLER LOG CHAIN	1
8	142164	BUSHING, CHAIN SPROCKET, 1/2 IN USED W/ 2-5/8 TO 2-11/16 LONG CHAIN LINKS (CONTACT PDC FOR SPECIFIC DETAILS)	1
8	169359	BUSHING, CHAIN SPROCKET, 1/2 IN USED W/ 2-11/16 TO 2-3/4 LONG CHAIN LINKS (CONTACT PDC FOR SPECIFIC DETAILS)	1
9	129203	ANCHOR WELDMENT, GEARBOX ADJ	1
10	129214	SPLICE, CHAIN 1/2	1
11	129217	ROD WELDMENT 7/8-9 X 25	2
12	1-298-010001-1	FITTING, GREASE 1/4-28	1
13	1-512-010005-15	NUT, HEX LOCK 3/4-10 GRB	4
14	1-512-010007-13	NUT, HEX 7/8-9 GRB	2
15	1-654-010055-01	SCREW, HEX HEAD CAP 1/2-13 X 1 GR5	1
16	1-654-010059-03	SCREW, HEX HEAD CAP 5/8-11 X 1-1/2 GR5	1
17	139345	SCREW, 12 PT 3/4-10 X 4-1/2	4
18	1-861-010032-15	WASHER, FLAT 1/2W	4
19	1-861-010032-21	WASHER, FLAT 3/4W	4
20	1-861-010034-13	WASHER, SPLIT LOCK 1/2	1
21	1-861-010034-15	WASHER, SPLIT LOCK 5/8	1
22	110-3494	SET SCREW, SOCKET HEAD 3/8-16 X 1/2	2
23	183672	CHAIN 1/2 X 1032 GRD7 (USED ON 180898, CONTACT PDC)	1
23	159685	CHAIN 1/2 X 1104 GRD7 (USED ON 129215, CONTACT PDC)	1
23	159688	CHAIN 1/2 X 1200 GRD7 (USED ON 131256, CONTACT PDC)	1
24	130127	SCREW, 12 PT FLANGE 1/2-13 X 1-1/2	2
25	202702-10-8S	ADAPTER, #10 O-RING, #8 TUBE	2
26	61258	SEAL KIT IS FOR MOTOR #126973 (NOT SHOWN)	1

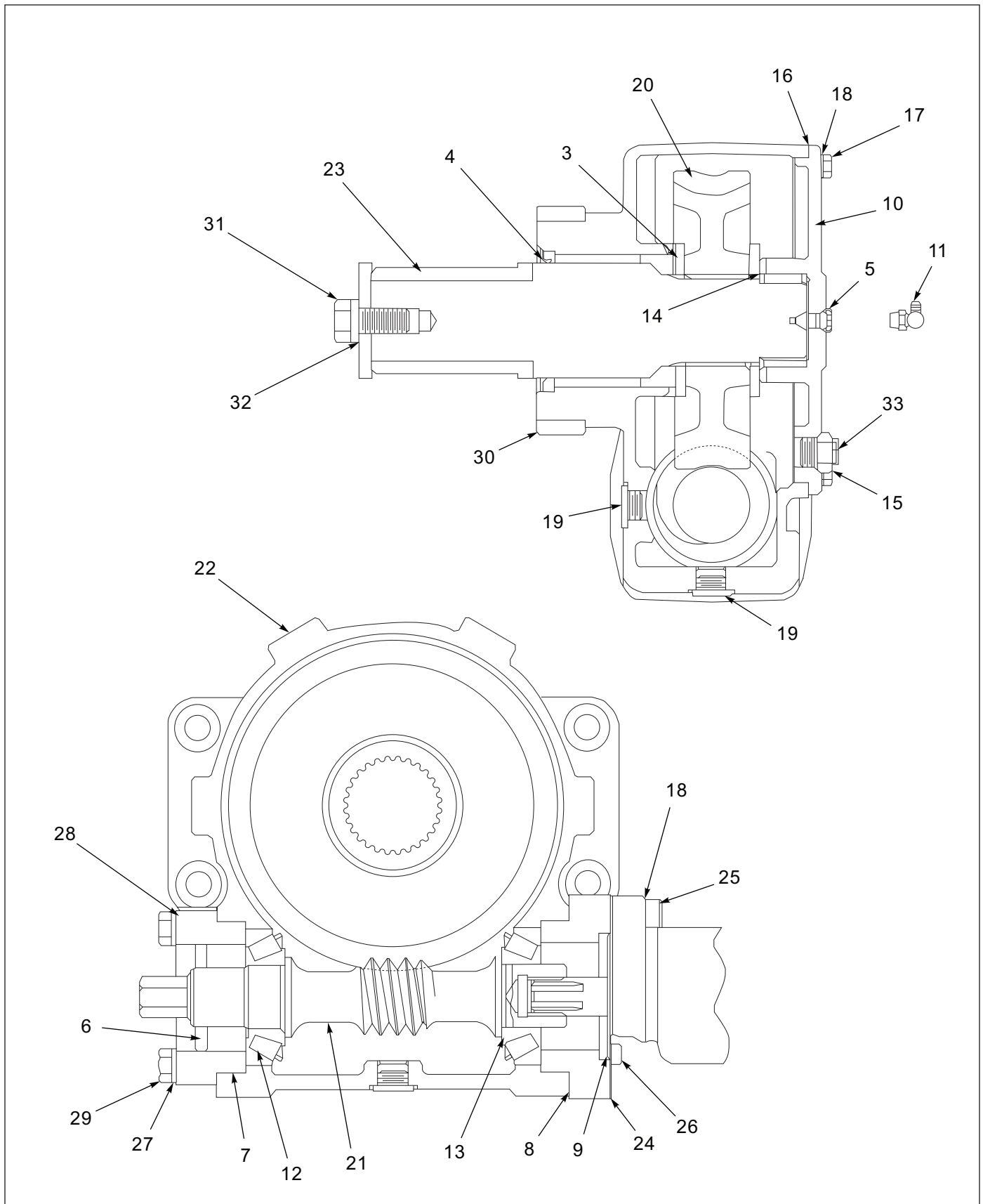


Figure 1-29: Gearbox Items

Gearbox Items

ITEM	PART NO.	DESCRIPTION	QTY.
	126858	GEARBOX	
1	130346	WORM HOUSING BUSHING	1
2	130347	WORM HOUSING COVER BUSHING	1
3	216575	RETAINING RING	2
4	216574	SEAL	1
5	216585	PIPE PLUG	1
6	216582	SEAL	1
7	216569	O-RING	2
8	216570	SHIM	2
9	216578	GASKET	1
10	216559	COVER, WORM HOUSING	1
11	216560	ZERK	1
12	216561	BEARING CUP	2
13	216562	BEARING CONE	2
14	216563	RETAINING RING	1
15	216564	REDUCER STR THD ADAPTER	1
16	216565	WORM COVER GASKET	1
17	216566	CAPSCREW	6
18	216567	LOCKWASHER	6
19	216568	16496-8 PLUG, O-RING FLUSH	2
20	216571	WORM GEAR (30:1 UT12C)	1
21	216572	WORM	1
22	216573	HOUSING, WORM (WR50-LS)	1
23	216576	OUTPUT SHAFT	1
24	216577	ADAPTER, MOTOR	1
25	216579	CAPSCREW	2
26	216580	LOCKWASHER - HIGH COLLAR	4
27	216581	LOCKWASHER	2
28	216583	RETAINER, BEARING	1
29	216584	CAPSCREW	4
30	216586	PILOT RING	1
31	216587	LOCKWASHER	1
32	216588	30-245 CPSTN RET WASHER	1
33	130350	RELIEF VALVE	1
34	216589	SEAL KIT FOR 126858 (NOT SHOWN)	REF

Container Assemblies, Chains & Stops

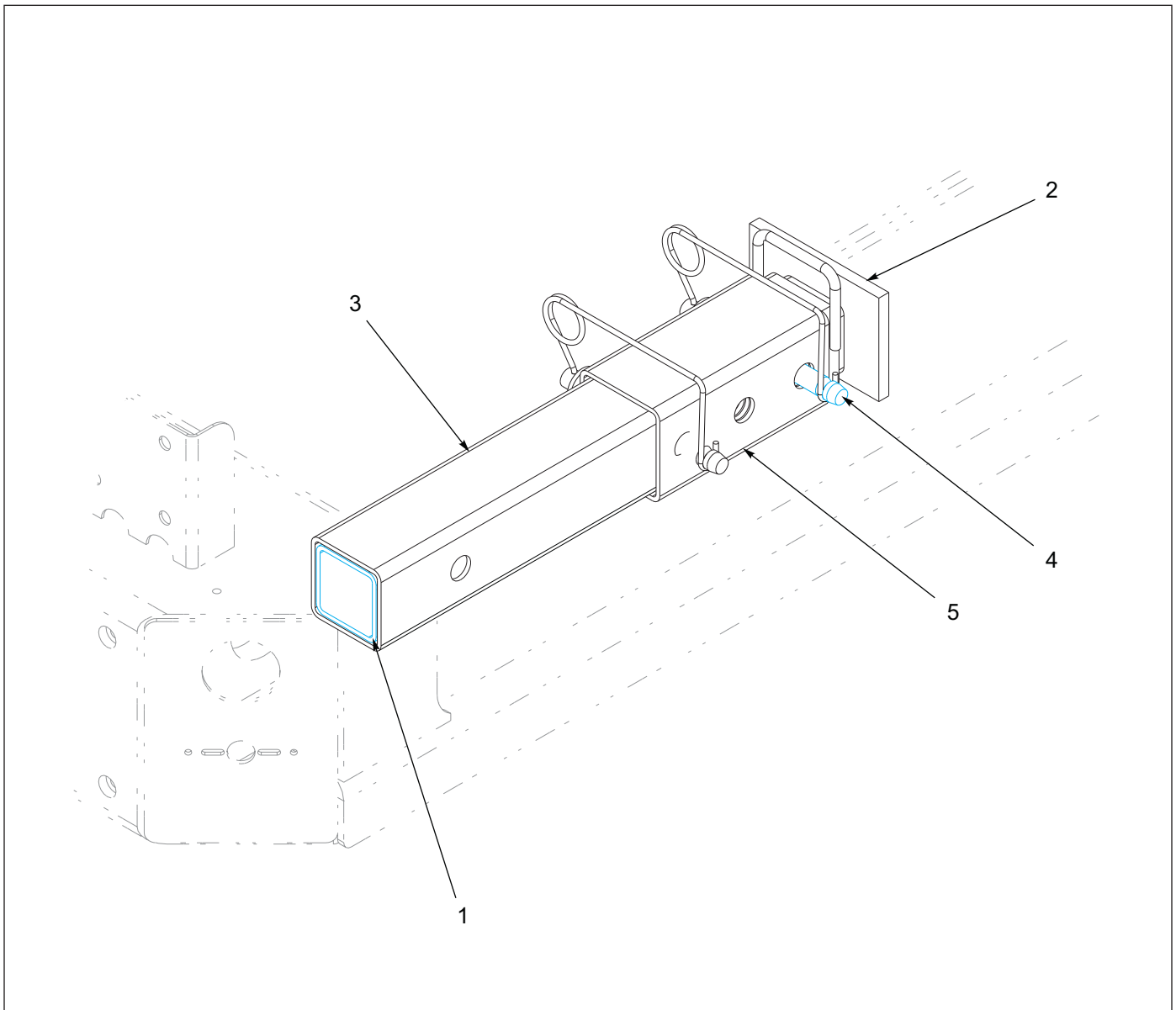


Figure 1-30: Adjustable Stop Assembly

Adjustable Stop Assembly

ITEM	PART NO.	DESCRIPTION	QTY.
	187965	ADJUSTABLE STOP ASSEMBLY	
1	187963	TUBE, INSTALLATION, ADJ, STOP	REF
2	3-829-010327	TUBE, WELDMENT, 3' ADJ, STOP	2
3	3-829-010329	TUBE, WELDMENT, 3-1/2 ADJ, STOP	2
4	346SL	PIN, HITCH LOCK	4
5	3-829-010330	TUBE, 4 IN. ADJ STOP, 330 (WELDED TO TRAILER DECK)	REF

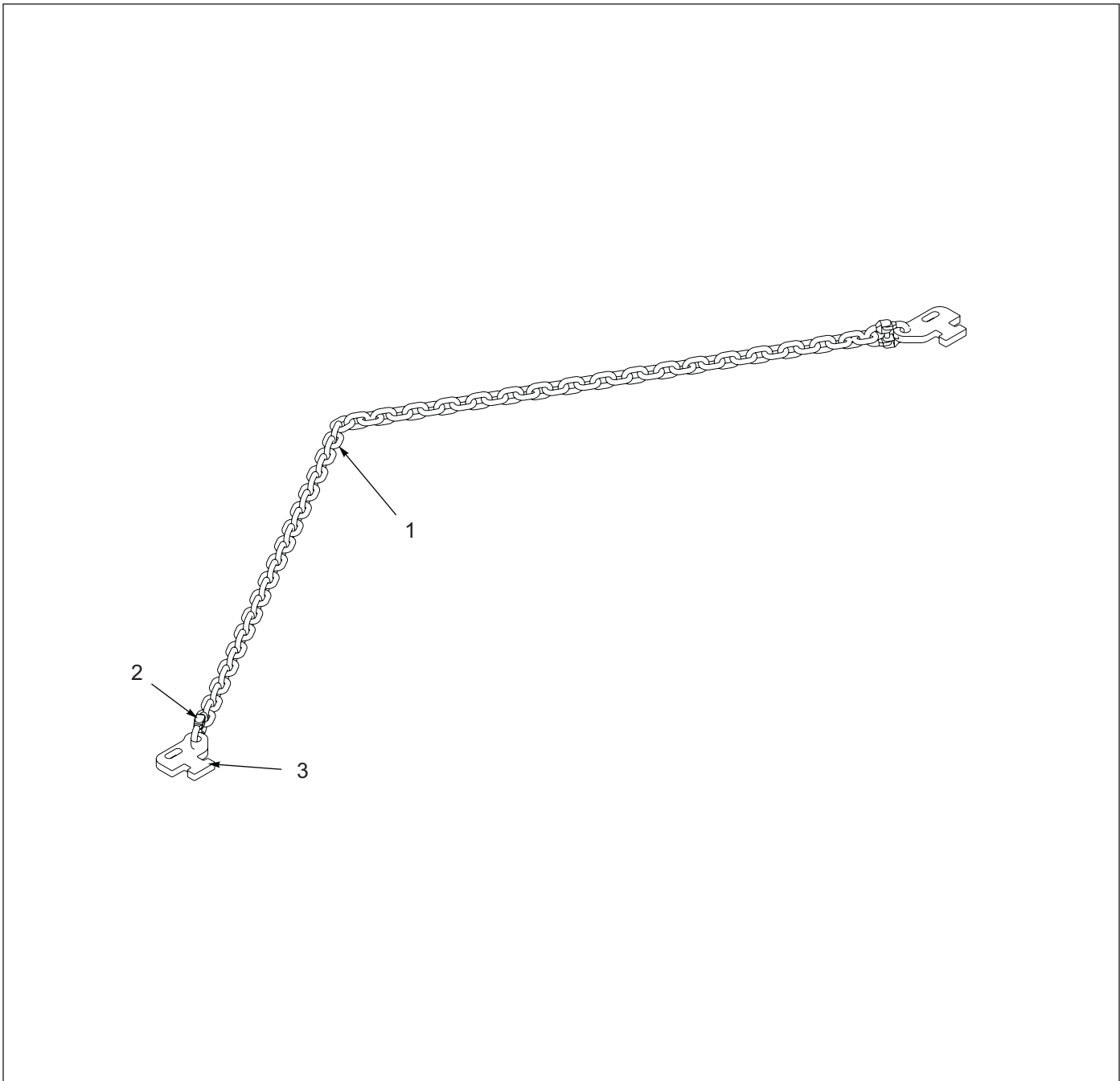


Figure 1-31: Chain Assembly -Container Load

Chain Assembly - Container Load

ITEM	PART NO.	DESCRIPTION	QTY.
	135316	CHAIN ASSEMBLY, CONTAINER LOAD	
1	3-174-010039	CHAIN, 1/2 X 87" GR 7	1
2	3-174-010038	CHAIN LINK, CONNECTING 1/2	2
3	128480	PLATE, CONTAINER CONNECT	2

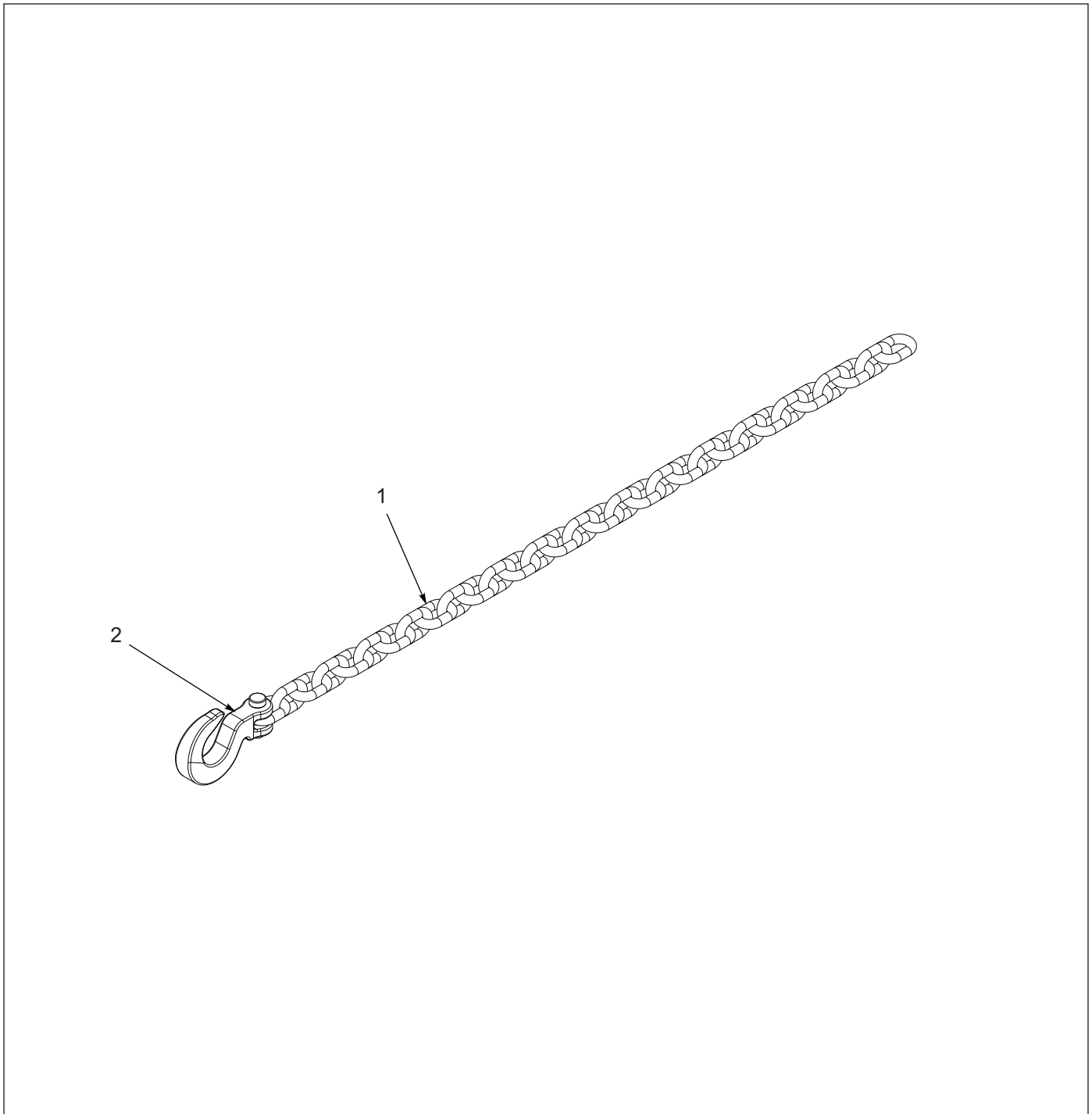


Figure 1-32: Chain and Hook Assembly

Chain and Hook Assembly

ITEM	PART NO.	DESCRIPTION	QTY.
	129938	CHAIN AND HOOK ASSEMBLY	
1	3-174-010039	CHAIN 1/2 GR7	42 IN.
2	7HCGHT500	HOOK, CLEVIS GRAB 1/2	2

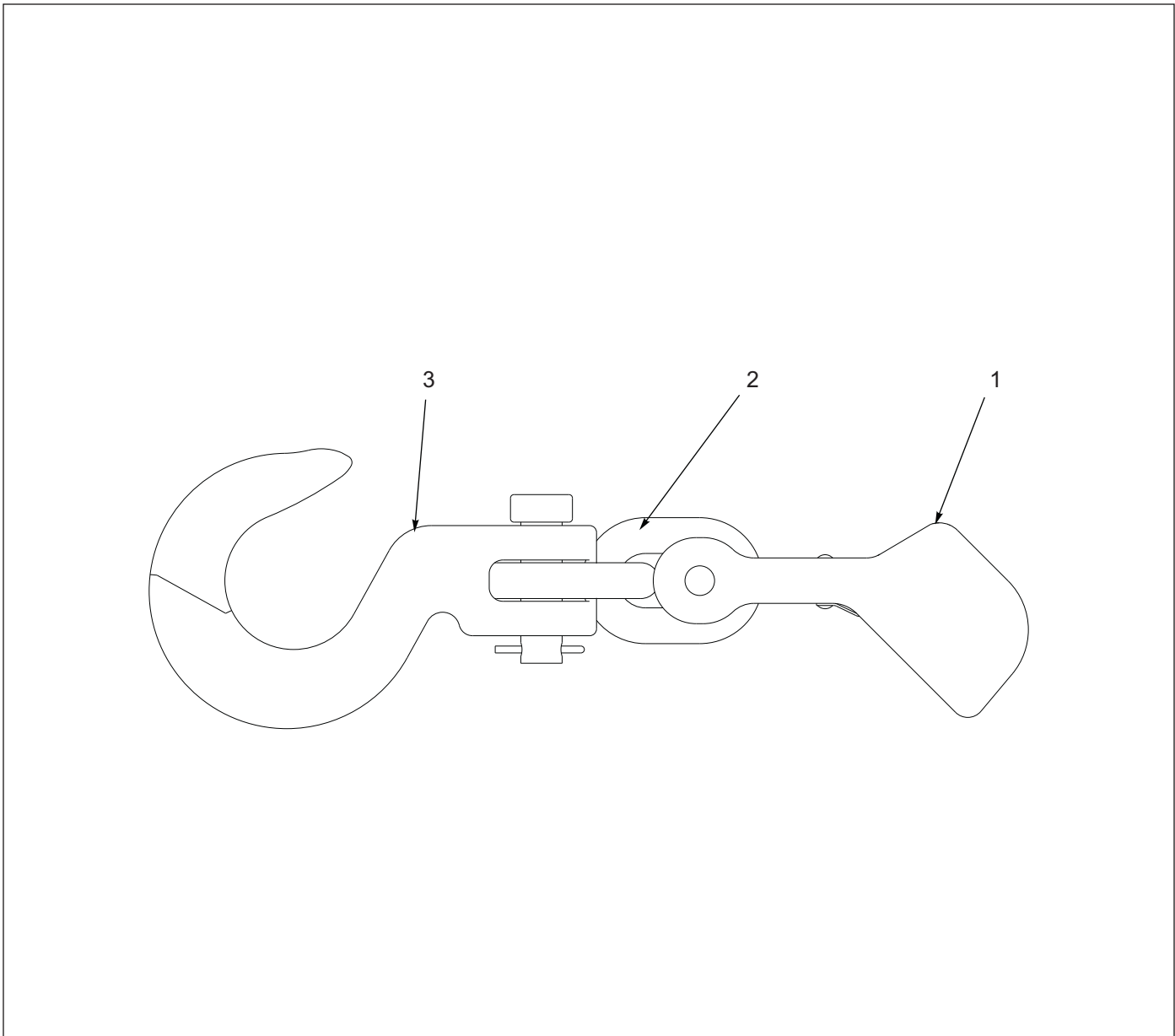


Figure 1-33: Container Assembly - Chain Connect

Container Assembly - Chain Connect

ITEM	PART NO.	DESCRIPTION	QTY.
	129209	CHAIN CONNECT/ CONTAINER ASSEMBLY	
1	128500	CHAIN SHORTENER LINK 1/2	1
2	3-174-010039	CHAIN 1/2" GR7	4"
3	7HCGHT500	HOOK CLEVIS GRAB 1/2	1

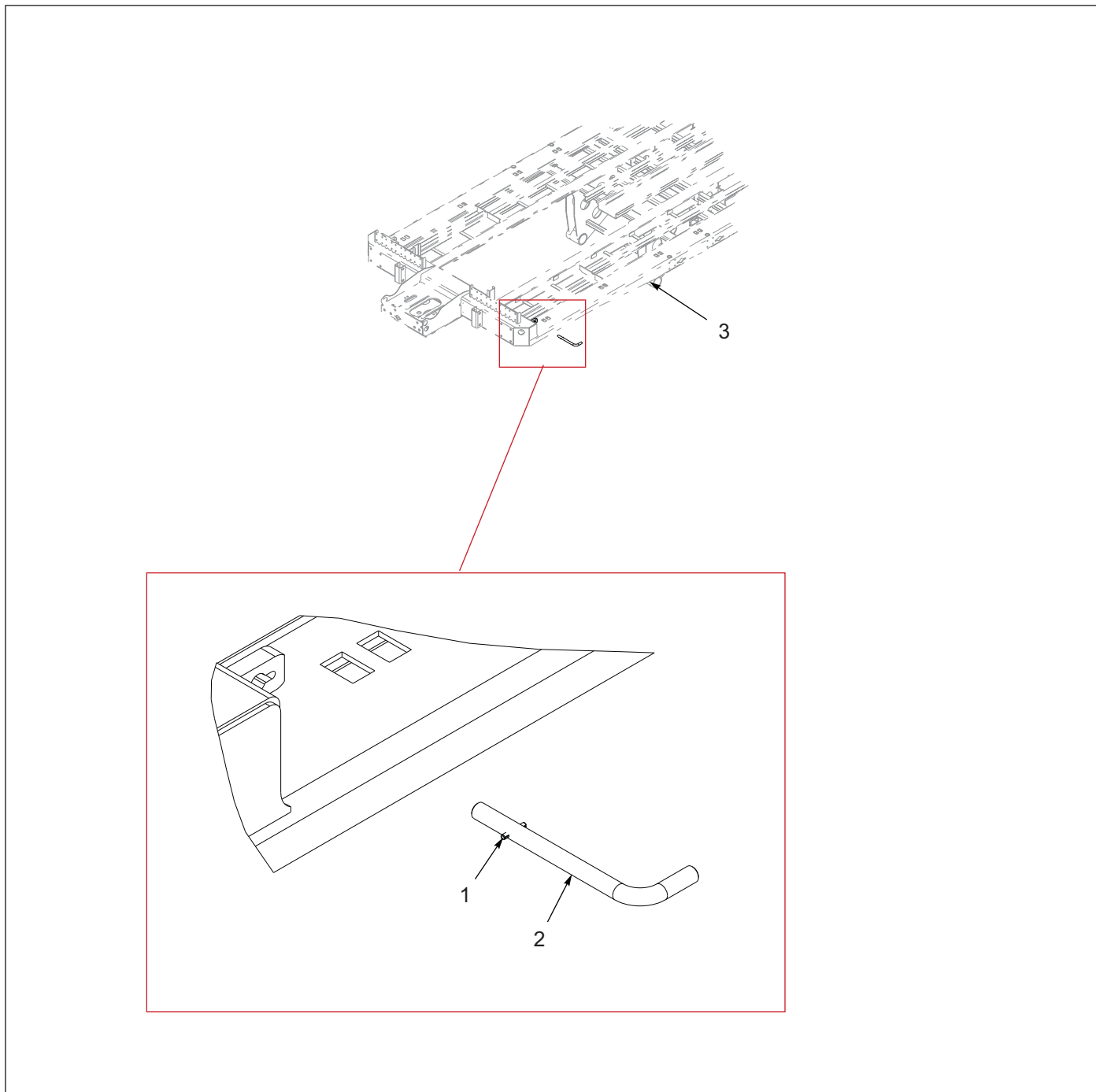


Figure 1-34: Container Assembly - Front Pair Pin

Container Assembly - Front Pair Pin

ITEM	PART NO.	DESCRIPTION	QTY.
	180255	FRON PAIR PIN CONTAINER	
1	1-647-010004217	SPRING PIN, SLOTTED 1/4 X 1-1/2	4
2	127843	PIN, TOP OFFLOAD FOOT	4
3	----	FRAME WELDMENT	REF

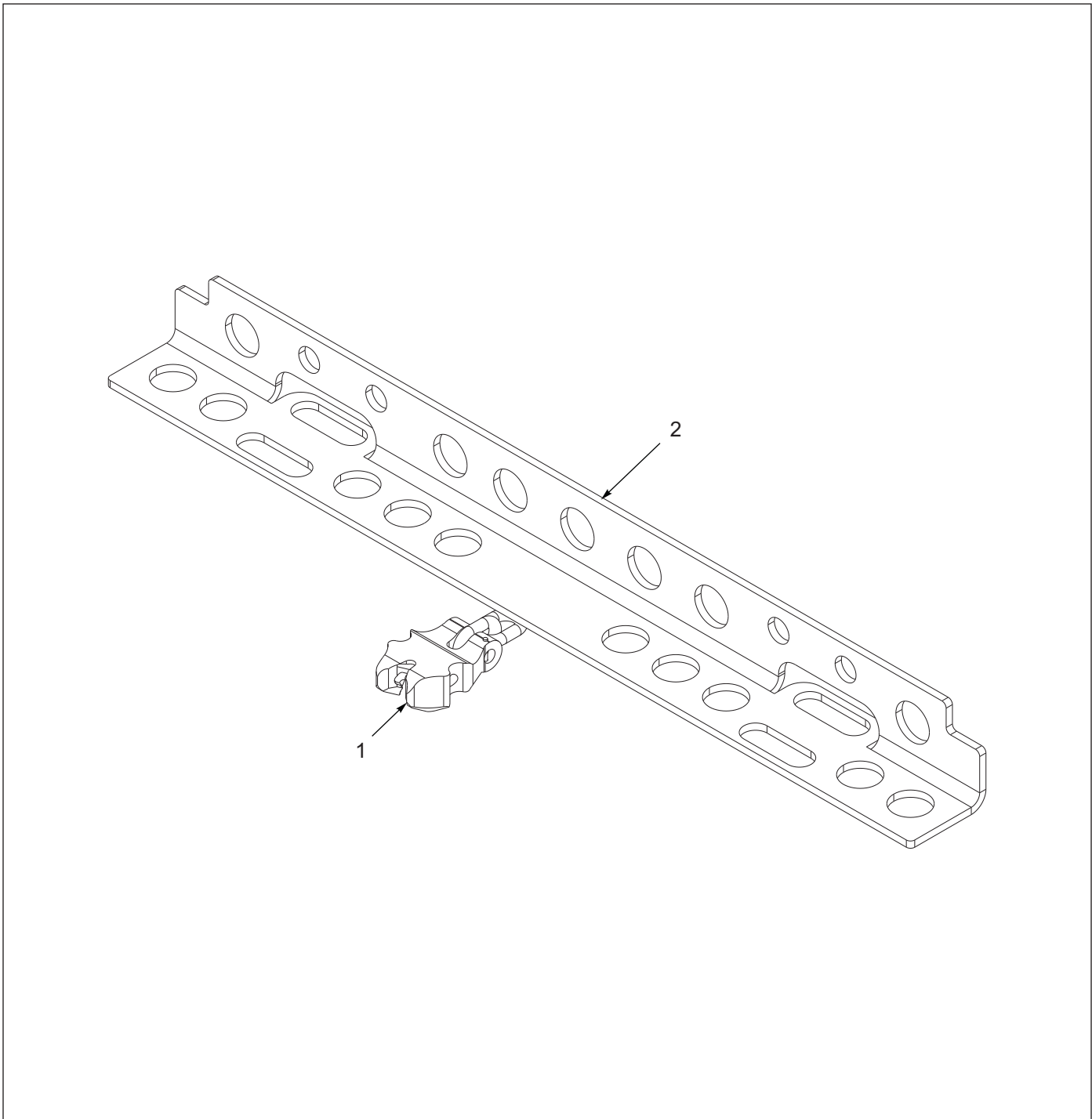


Figure 1-35: Container Assembly - Pusher

Container Assembly - Pusher

ITEM	PART NO.	DESCRIPTION	QTY.
	171210	CONTAINER PUSHER ASSEMBLY	
1	128500	CHAIN SHORTENER LINK 1/2	1
2	171211	PUSHER, CONTAINER UNLOAD	1

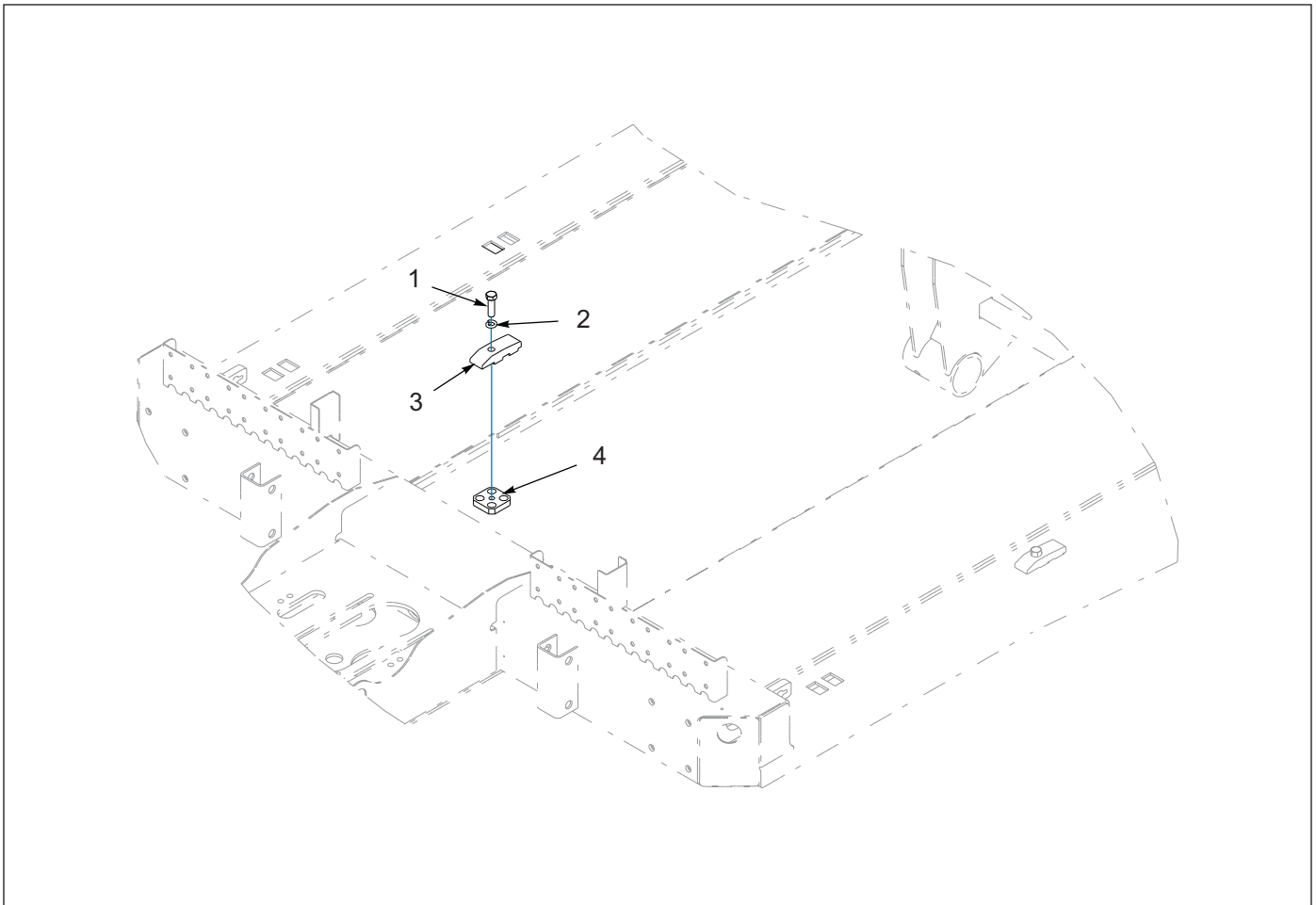


Figure 1-36: Container Stop - Front Pair

Container Stop - Front Pair

ITEM	PART NO.	DESCRIPTION	QTY.
	180265	FRONT CONTAINER STOP, PAIR	
1	1-861-010034-17	WASHER, SPLIT LOCK 3/4	4
2	104483	SCREW, HEX HEAD CAP 3/4-10 X 2-1/2 GR8	2
3	180263	STOP, FRONT CONTAINER	2
4	180264	PLATE, BOTTOM STOP CONTAINER	2

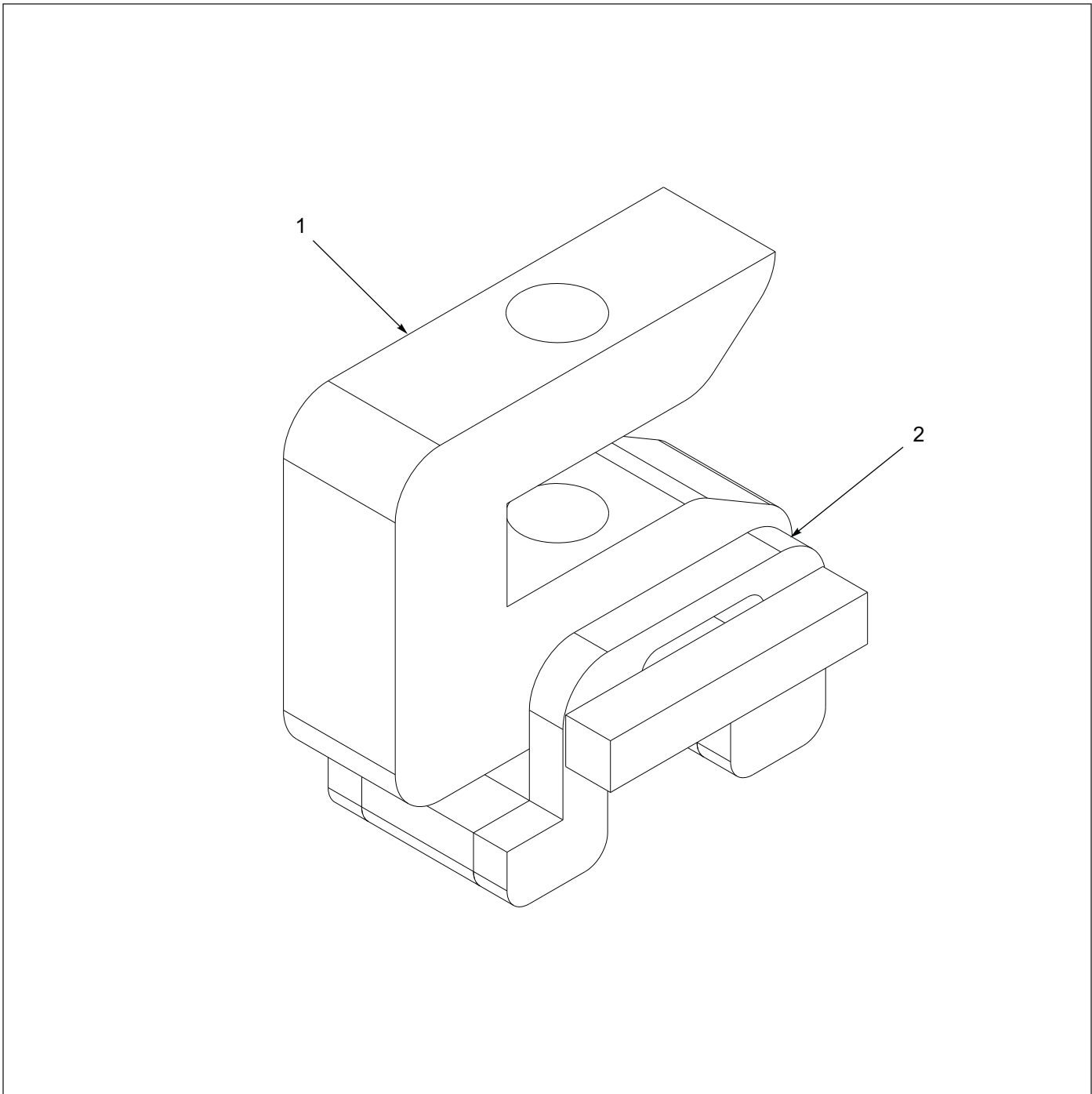


Figure 1-37: Container Stop - Front Weldment

Container Stop - Front Weldment

ITEM	PART NO.	DESCRIPTION	QTY.
	178678	CONTAINER STOP FRONT WELDMENT	
1	128481	PLATE, CONTAINER STOP, 340	1
2	178677	CONTAINER STOP REINFORCEMENT	2

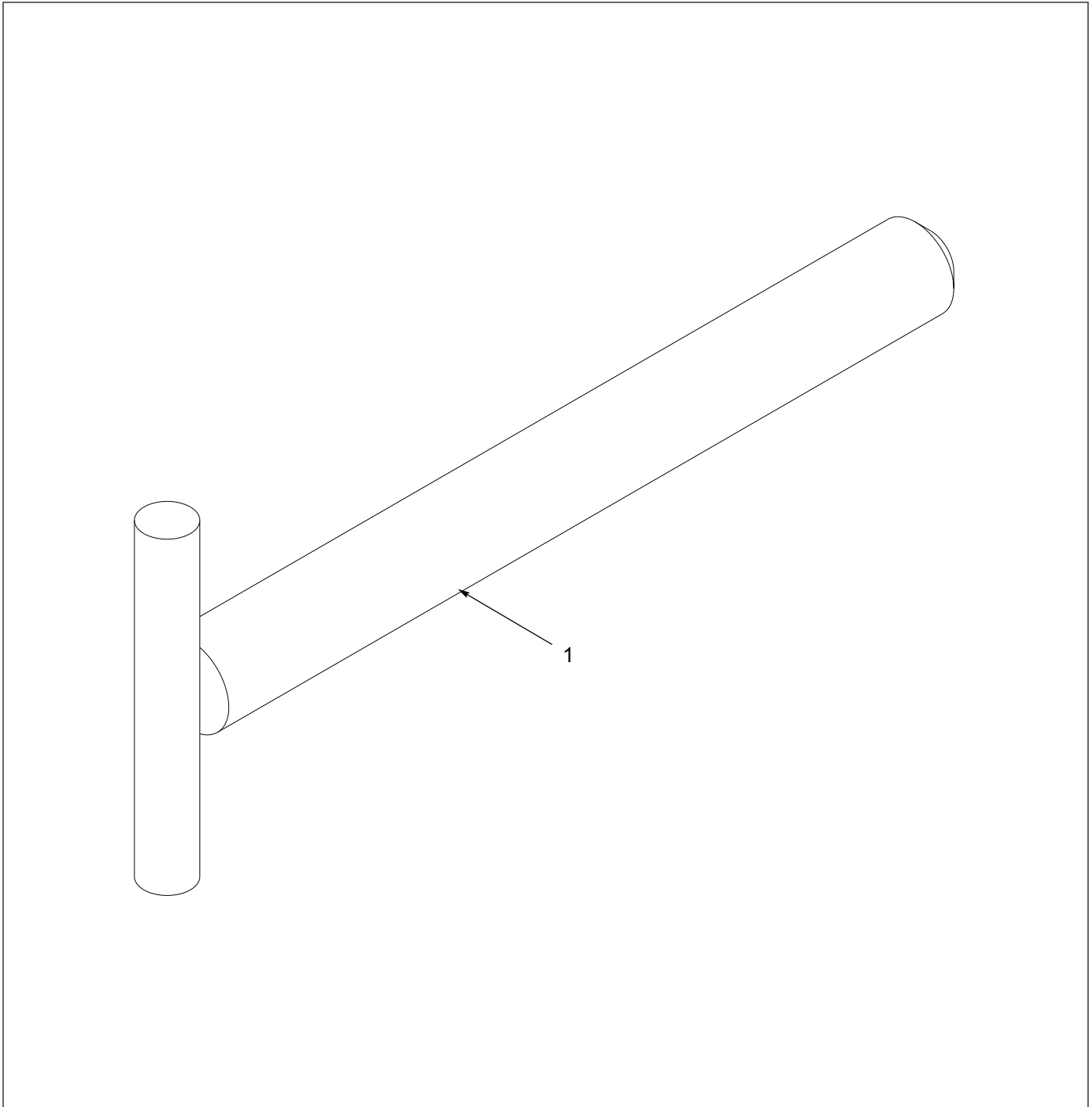


Figure 1-38: Container Stop - Pin Weldment

Container Stop - Pin Weldment

ITEM	PART NO.	DESCRIPTION	QTY.
	128484	CONTAINER STOP PIN WELDMENT	
1	128483	PIN, CONTAINER STOP, 340	1

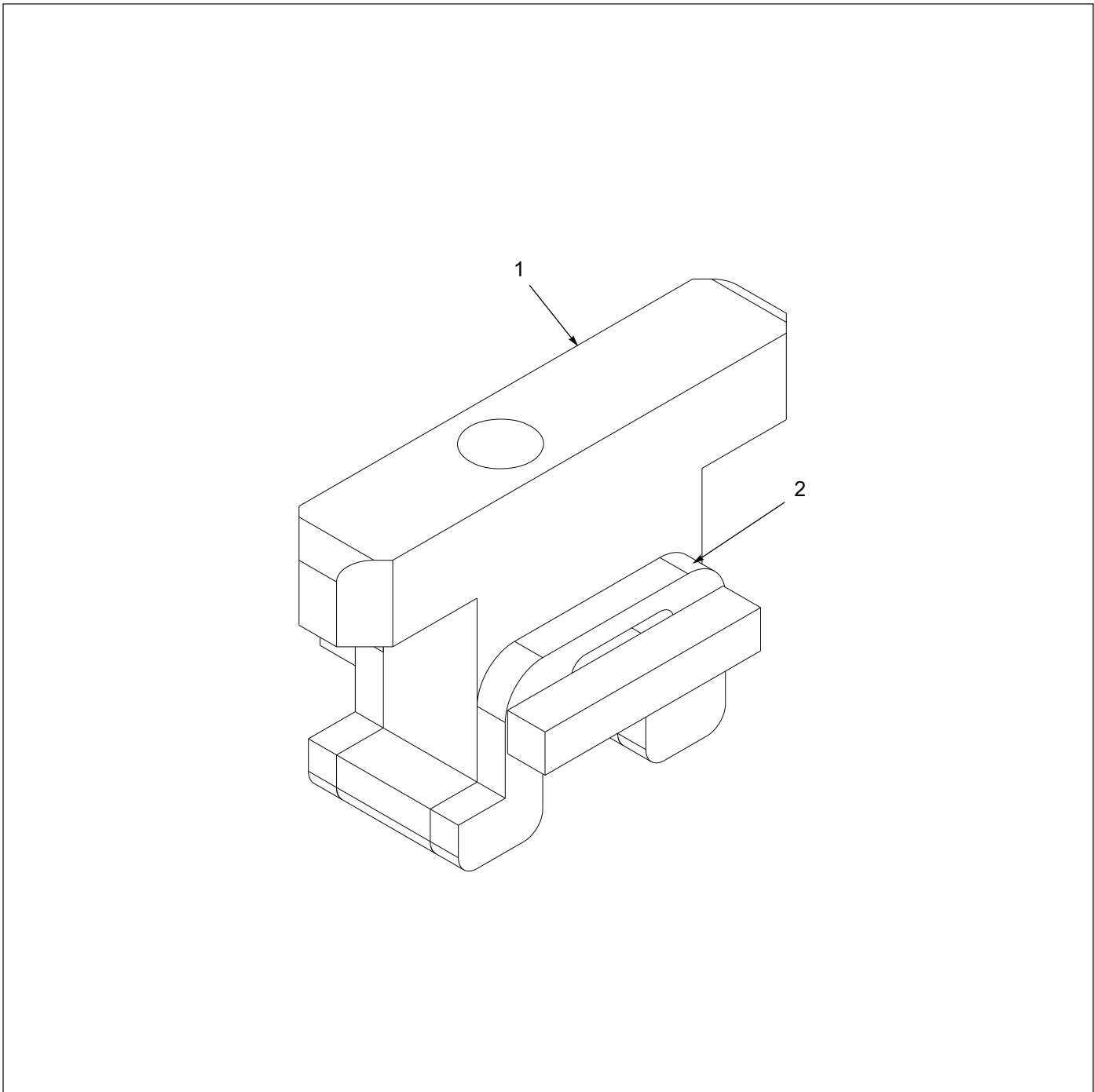


Figure 1-39: Container Stop - Rear Weldment

Container Stop - Rear Weldment

ITEM	PART NO.	DESCRIPTION	QTY.
	178679	REAR CONTAINER STOP WELDMENT	
1	127319	STOP, CONTAINER 330	1
2	178677	CONTAINER STOP REINFORCEMENT	2

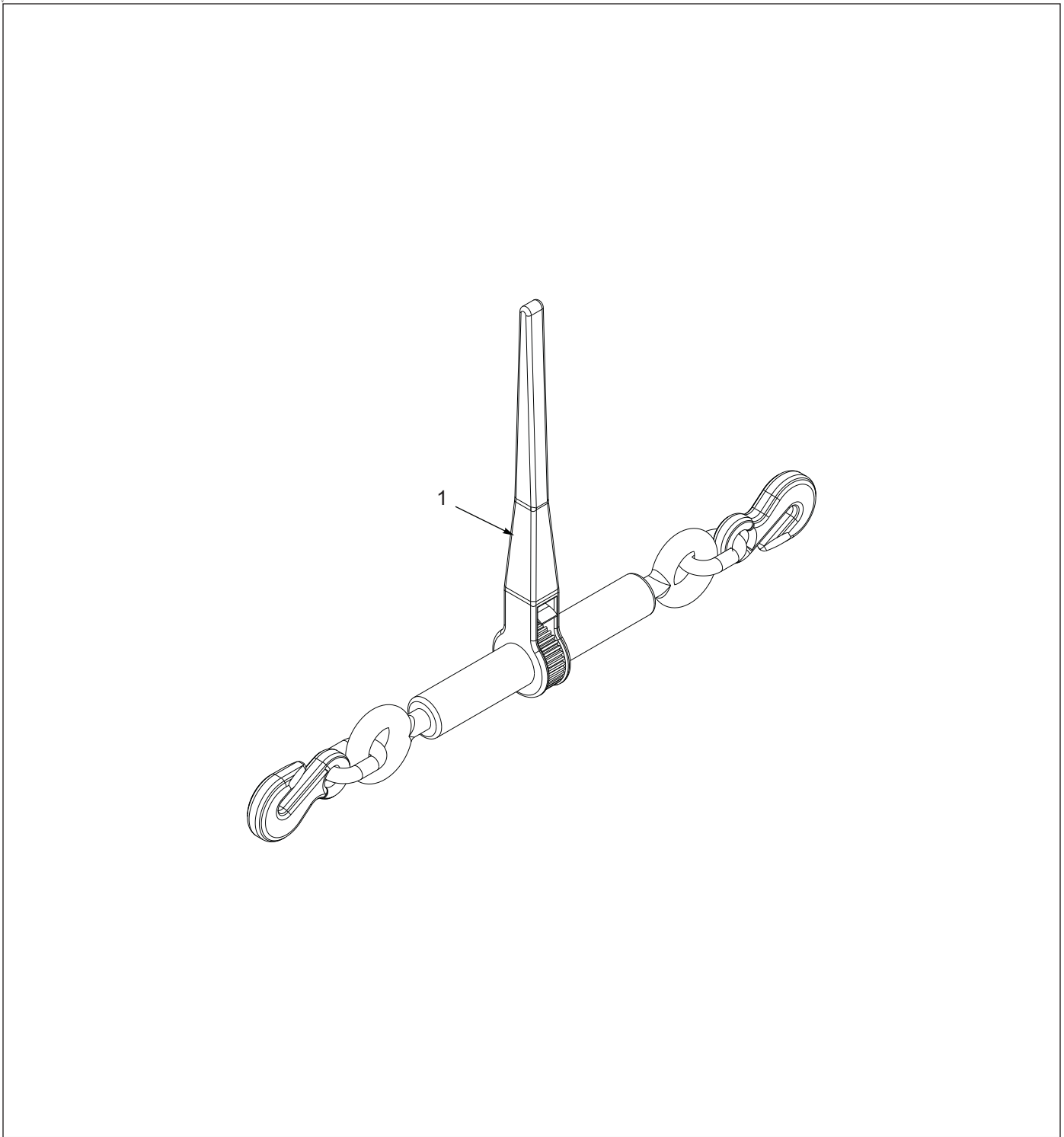
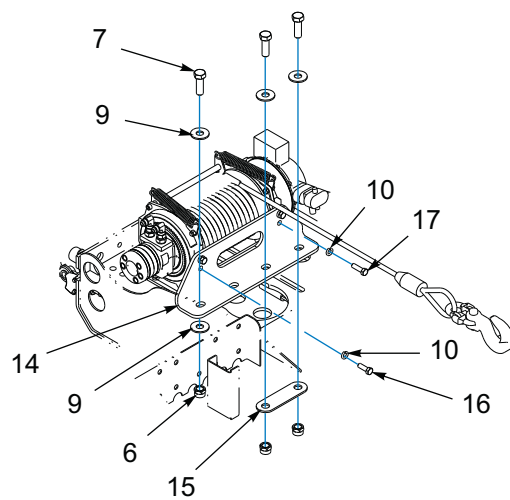


Figure 1-40: Load Binder - 3/8 Ratchet Style

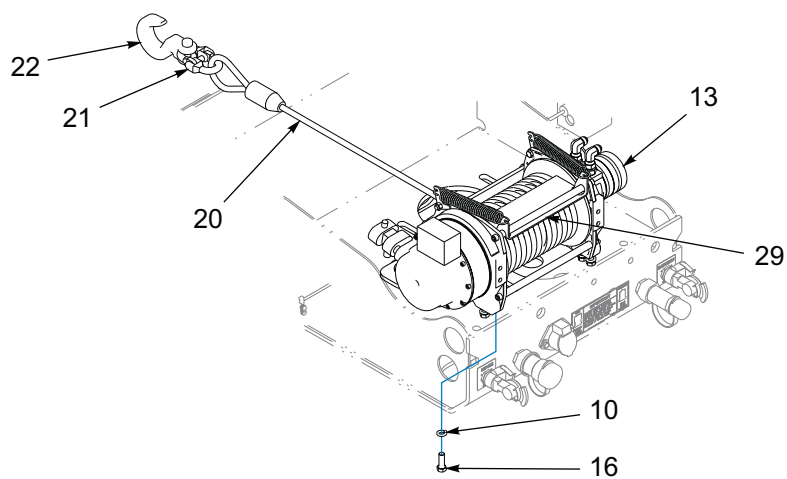
Load Binder - 3/8 Ratchet Style

ITEM	PART NO.	DESCRIPTION	QTY.
1	130093	LOAD BINDER 3/8 RATCHET STYLE	2

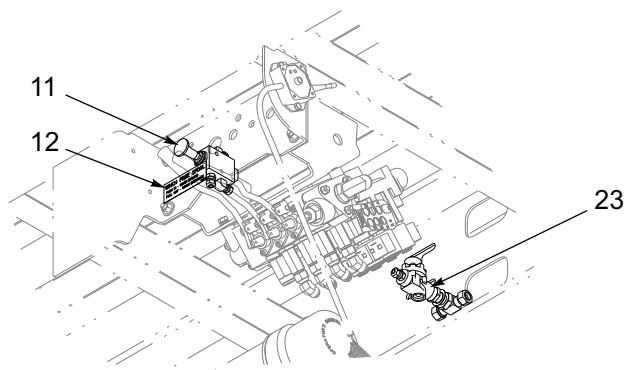
Winches



GENERAL ASSEMBLY



GENERAL ASSEMBLY



PUSH VALVE & PROTECTION VALVE LOCATION

Figure 1-41: Winch Installation - 12K (WARN) (1 of 2)

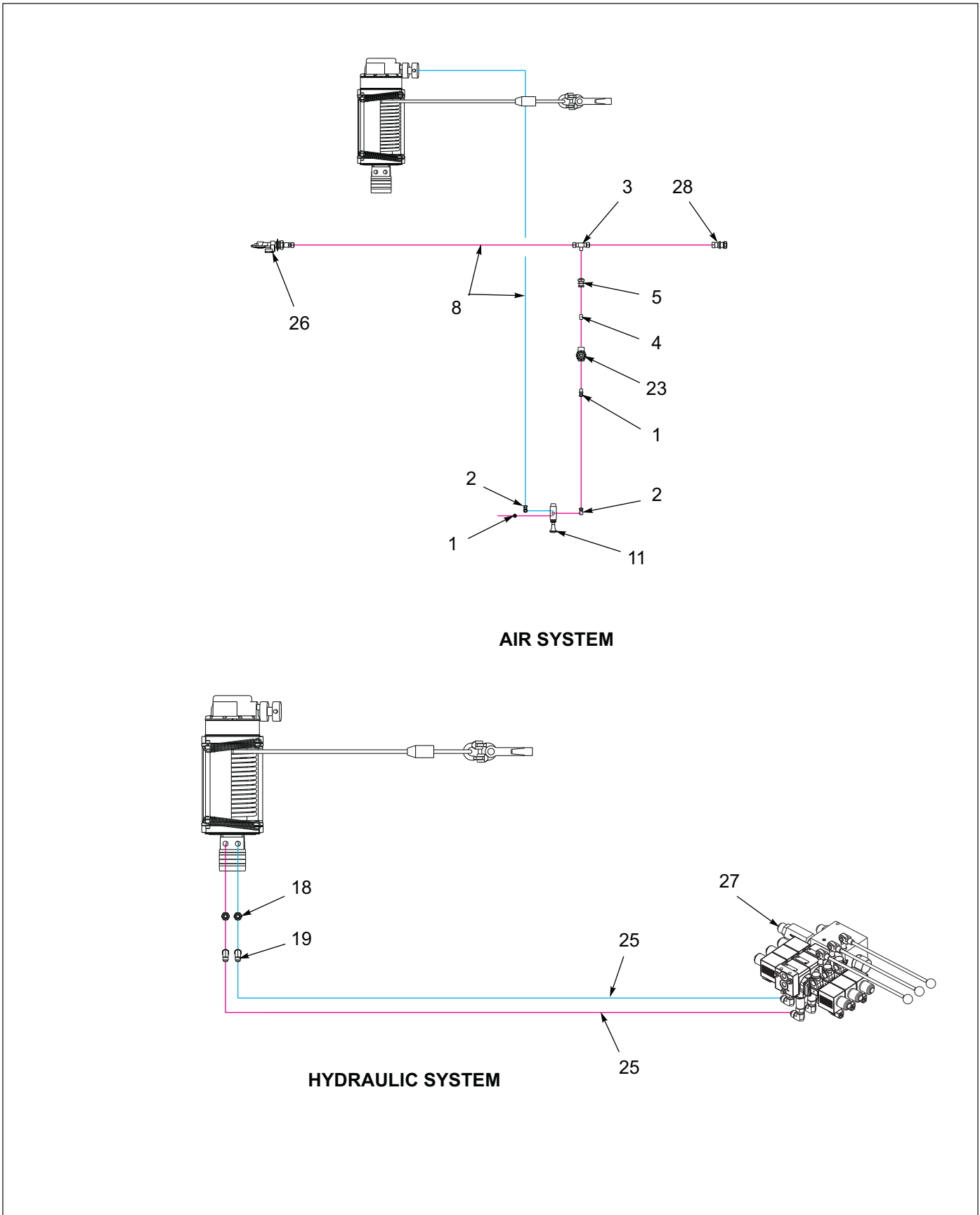


Figure 1-42: Winch Installation - 12K (WARN) 2 of 2

Winch Installation - 12K (WARN)

ITEM	PART NO.	DESCRIPTION	QTY.
	180908	WINCH, 12K WARN, 343	
1	1-297-010007-05	FITTING, AIR	2
2	1-297-010008-07	FITTING, AIR 90	2
3	1-297-010015-09	FITTING, BRASS PIPE TEE	1
4	1-297-010020-02	FITTING, BRASS PIPE HEX	1
5	1-297-010022-02	FITTING, AIR ANCHOR, CPLG, 1/4 NPT	1
6	1-512-010005-15	NUT, HEX, SLFLKG, 3/4-10 UNC, GRB	3
7	1-654-010061-06	SCREW, HEX, 3/4-10 UNC X 2-1/4, GR5	3
8	1-833-010001	TUBING, NYLON 1/4 OD	20'
9	1-861-010032-21	WASHER, FLAT, ZP/CDE, 3/4W	4
10	1-861-010034-13	LOCK WASHER, 1/2"	8
11	194439	VALVE, 3 WAY/2 POSITION	1
12	135184	DECAL, WINCH FREE SPOOL	1
13	166421	WINCH, 12M WARN, WITH LW & RMTC	1
14	180282	BRACKET, FRONT 12K WARN	1
15	180907	BTM PLATE, 12K WARN MT	1
16	-----	SCREW, M12-1.75 X 35 HCS, 8.8 ZP	6
17	-----	SCREW, M12-1.75 X 40 HCS, 8.8 ZP	2
18	202702-10-8S	ADAPTER, #10 O-RING, #8 TUBE	2
19	2071-8-8S	ADAPTER, 90	2
20	3-155-010017-4	CABLE, 1/2 X 85' LENGTH	1
21	3-174-010038	CHAIN LINK, CONNECTING 1/2	1
22	7HCGHT500	HOOK, CLEVIS GRAB 1/2	1
23	905-54-107	BRAKE PROTECTION VALVE	1
24	178663	HYDRAULIC ELECTRIC AIR SYSTEM (ITEMS 8 & 25-28, REF ONLY)	1
25	128472	HOSE, HYDRAULIC 1/2" X 174"	REF
26	108801	GLAD HAND, RED, AIR	REF
27	194439	VALVE ASSY, 3-SPOOL (SEE PAGE 1-13)	REF
28	1-297-010007-15	FITTING, AIR, PIPE TO TUBE	REF
29	213120	TENSION KIT WINCH 12M WARN	1

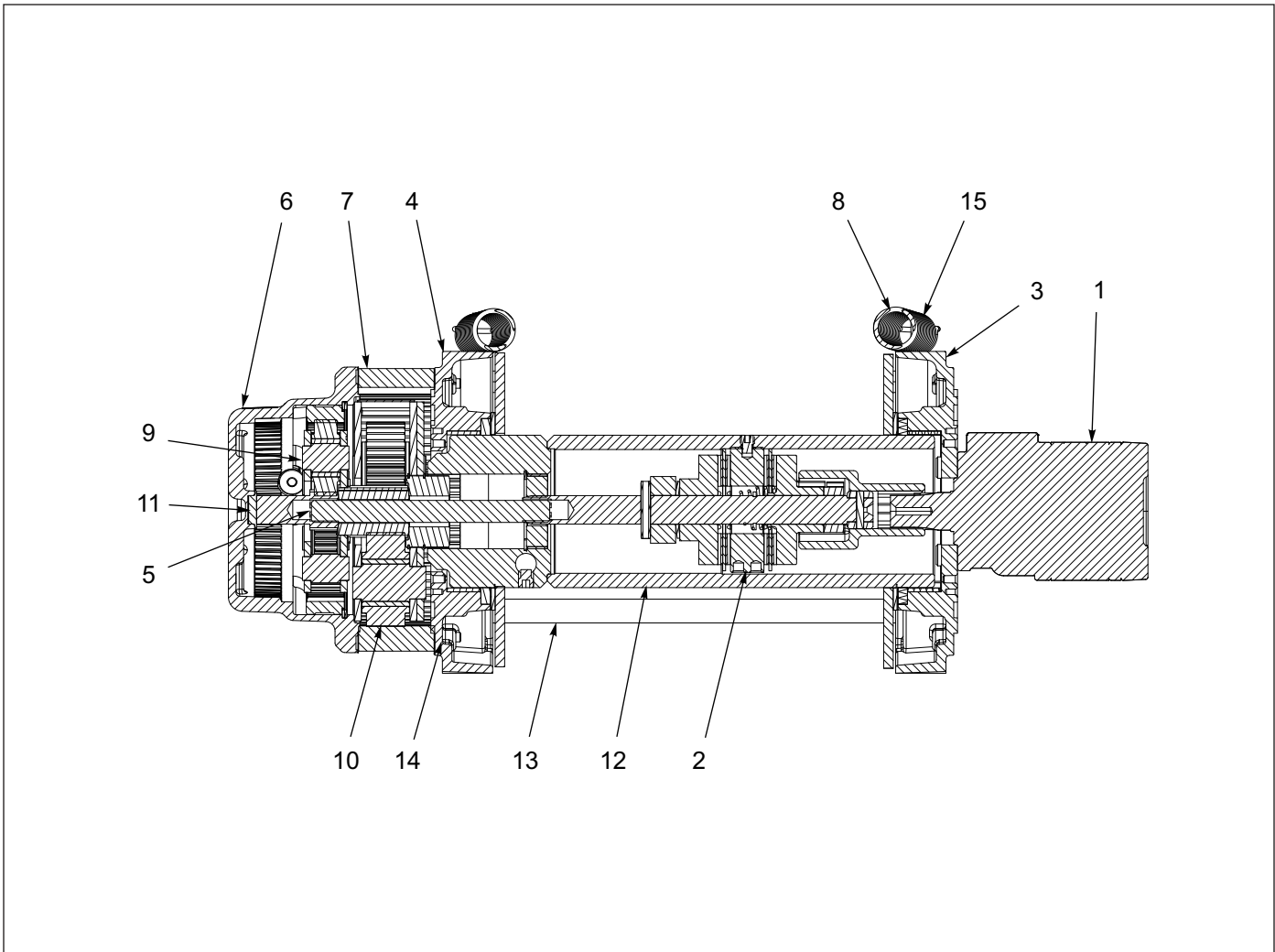
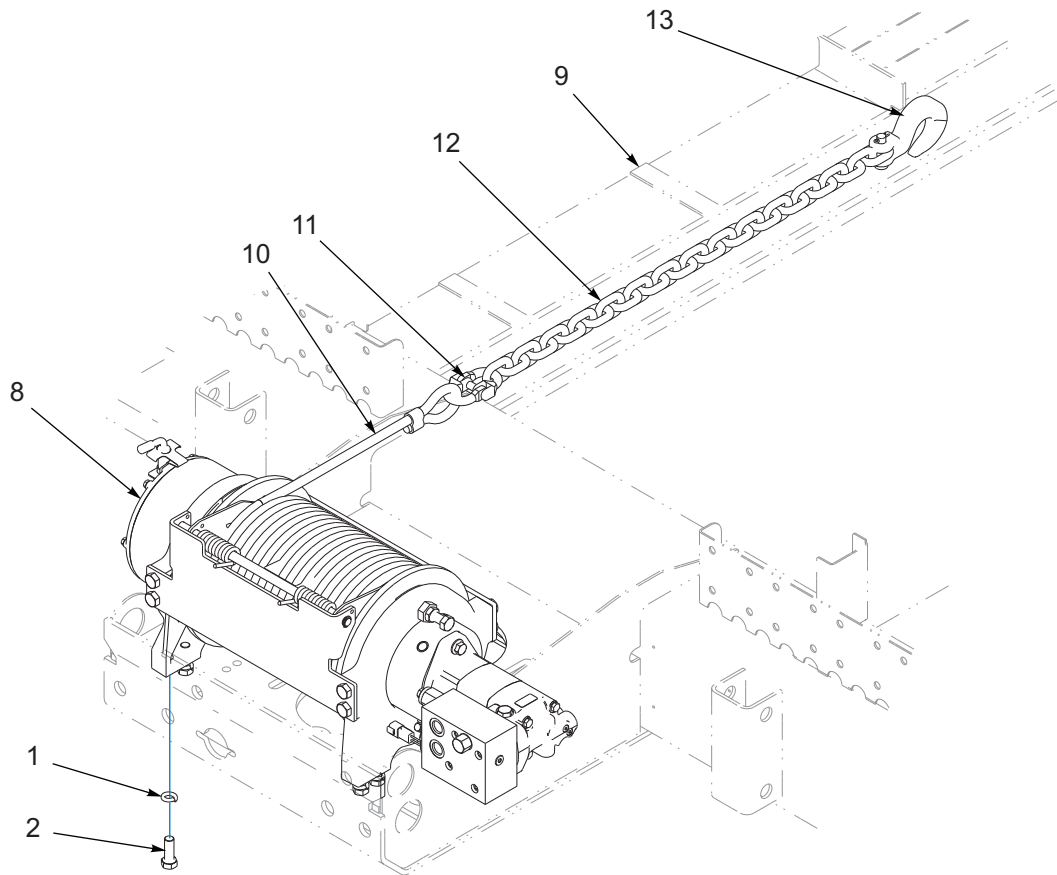


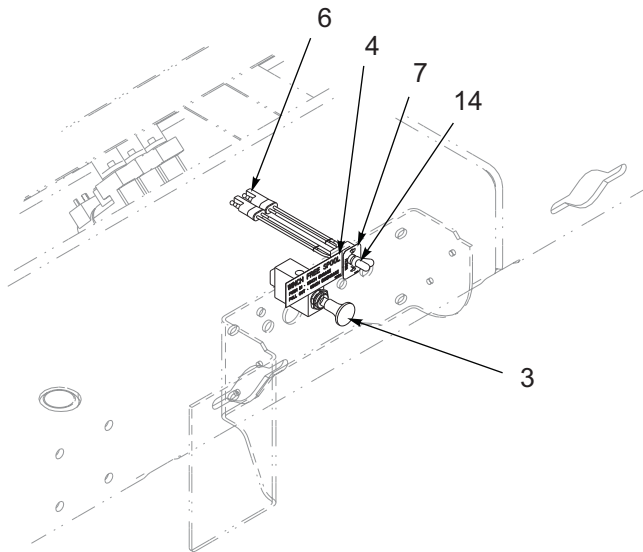
Figure 1-43: Winch items - 12K (WARN)

Winch Items - 12K (WARN)

ITEM	PART NO.	DESCRIPTION	QTY.
	166421	WINCH, 12M WARN W/LW & RMTC	
1	194305	MOTOR HYD 5.0CL	1
2	194306	BRAKE ASSEMBLY	1
3	194307	DRUM SUPPORT, MOTOR	1
4	194308	DRUM SUPPORT, GEAR END	1
5	194309	DRIVE SHAFT, HEX	1
6	194310	END HSG ASSY AIR	1
7	194117	GEAR RING	1
8	194118	SPRING EXTENSION, TENSIONER	2
9	194119	CARRIER, STAGE 2 M12000	1
10	194120	CARRIER, STAGE 3 4340	1
11	194121	GEAR, 15T	1
12	194122	DRUM ASSEMBLY	1
13	194123	TIE ROD	3
14	194124	GASKET, RING GEAR	2
15	213120	TENSION KIT WINCH 12M WARN	1

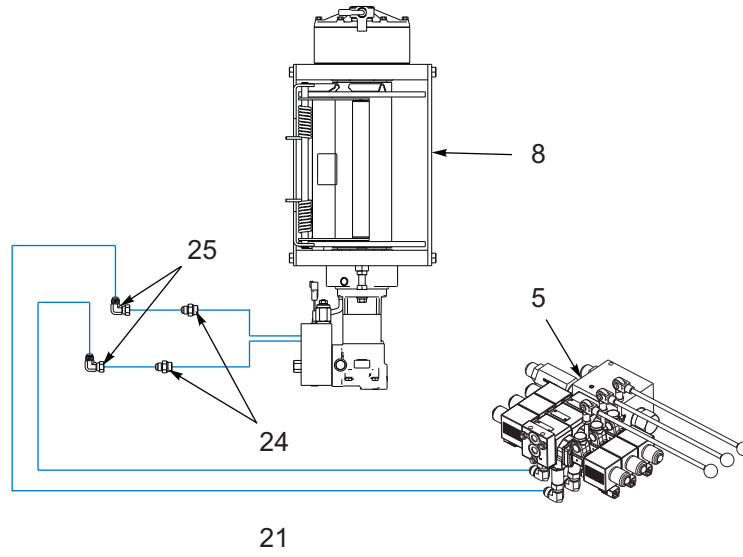


WINCH ASSEMBLY

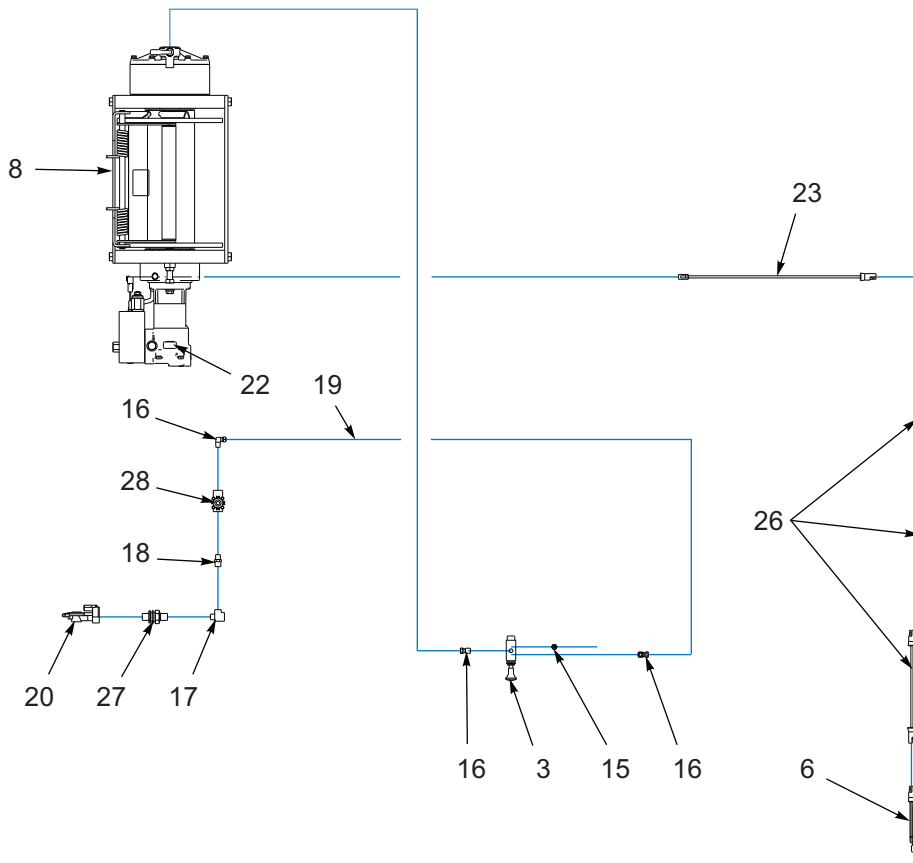


VALVE AND SWITCH LOCATION

Figure 1-44: Winch Installation - 20K 2 Speed (WARN) (1 of 2)



HYDRAULIC SYSTEM



ELECTRICAL AND AIR SYSTEM

Figure 1-45: Winch Installation - 20K 2 Speed (WARN) (2 of 2)

Winch Installation - 20K 2 Speed (WARN)

ITEM	PART NO.	DESCRIPTION	QTY.
	178676	WINCH, 20K WARN, 2 SPD 343	
1	1-861-010034-15	WASHER, SPLIT LOCK 5/8	8
2	109740	SCREW, HEX HEAD CAP 5/8-11 X 1-3/4 GR8	8
3	134657	VALVE, 3 WAY/2 POSITION	REF
4	135184	DECAL, WINCH FREE SPOOL	REF
5	194439	VALVE REXROTH ASSY 300A (SEE PAGE 1-13)	1
6	150117	TOGGLE SWITCH, SEALED SPST	REF
7	174043	DECAL, WINCH HI/LO	1
8	174551	WARN WINCH INSTALLATION, 20K (SEE PAGE 1-73)	1
9	-----	FRAME WELDMENT	REF
10	3-155-010018-6	CABLE, 5/8 X 85'	REF
11	3-174-010038	CHAIN LINK, CONNECTING 1/2	1
12	3-174-010039036	CHAIN, 1/2 X 36	1
13	7HCGHT500	HOOK, CLEVIS GRAB 1/2	1
14	81264	RUBBER BOOT FOR ELECT SWITCH	1
15	1-297-010007-05	FITTING, AIR	1
16	1-297-010008-07	FITTING, AIR 90	3
17	1-297-010018-03	FITTING, BRASS PIPE TEE	1
18	1-297-010019-05	FITTING BRASS PIPE HEX	1
19	1-833-010001	TUBING, NYLON 1/4 OD	AR
20	108801	GLAD HAND, RED AIR	REF
21	128472	HOSE ASSEMBLY 1/2 X 374	REF
22	135184	DECAL, WINCH FREE SPOOL	REF
23	164053	HARNESS, BRANCH WORK LIGHT 102"	1
24	202702-10-8S	ADAPTER	2
25	2071-8-8S	ADAPTER, 90	2
26	3-368-010252	HARNESS ASSEMBLY, BULKHEAD LIGHT EXTENSION	4
27	55B61	FRAME UNION	REF
28	905-54-107	BRAKE PROTECTION VALVE	1

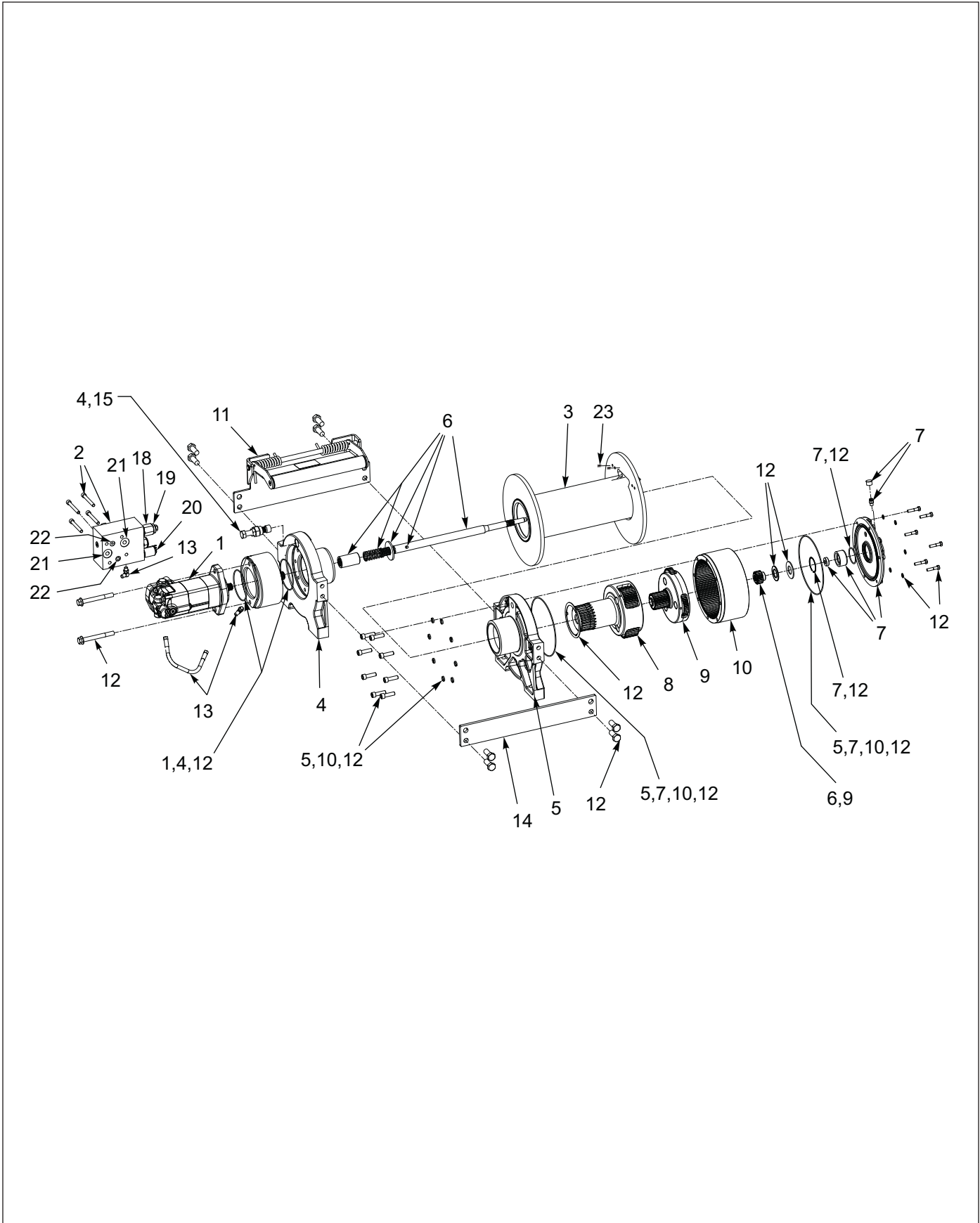


Figure 1-46: Winch Items - 20K 2 Speed (WARN)

Winch Items - 20K 2 Speed (WARN)

ITEM	PART NO.	DESCRIPTION	QTY.
	167521	WINCH, 20K WARN 2 SPEED	
1	178718	SERVICE KIT, MOTOR HYD 11.9 CI-SPD	1
2	178715	SERVICE KIT, MANIFOLD HYDRAULIC	1
3	162208	SERVICE KIT, DRUM ASSEMBLY 20K LONG	1
4	178999	SERVICE KIT, DRUM RETARDER DRUM SUPPORT	1
5	162210	SERVICE KIT, DRUM SUPPORT GEAR END	1
6	162211	SERVICE KIT, DRIVESHAFT LONG	1
7	162941	SERVICE KIT, END HOUSING ASSEMBLY AIR	1
8	162213	SERVICE KIT, CARRIER STAGE 2-6.0-4.75	1
9	162214	SERVICE KIT, STAGE 1-6.0-4.75	1
10	162215	SERVICE KIT, RING GEAR	1
11	162216	SERVICE KIT, TENSIONER LONG	1
12	179000	SERVICE KIT, HARDWARE SEAL	1
13	162218	SERVICE KIT, HOSE HYDRAULIC	1
14	162219	SERVICE KIT, TIE PLATE LONG	1
15	179001	SERVICE KIT, DRUM RETARDER	1
16	162220	SERVICE KIT, WIRE ROPE ASSEMBLY 9/16 X 245'	1
17	162207	SERVICE KIT, BRAKE ASSEMBLY	1
18	199104	SOLENOID FOR 2SP WARN, 20K-30K	1
19	201642	SOLENOID COIL	1
20	201643	OVERCENTER VALVE	1
21	201644	O-RING	2
22	201645	O-RING	2
23	201650	SET SCREW	2

Landing Gear

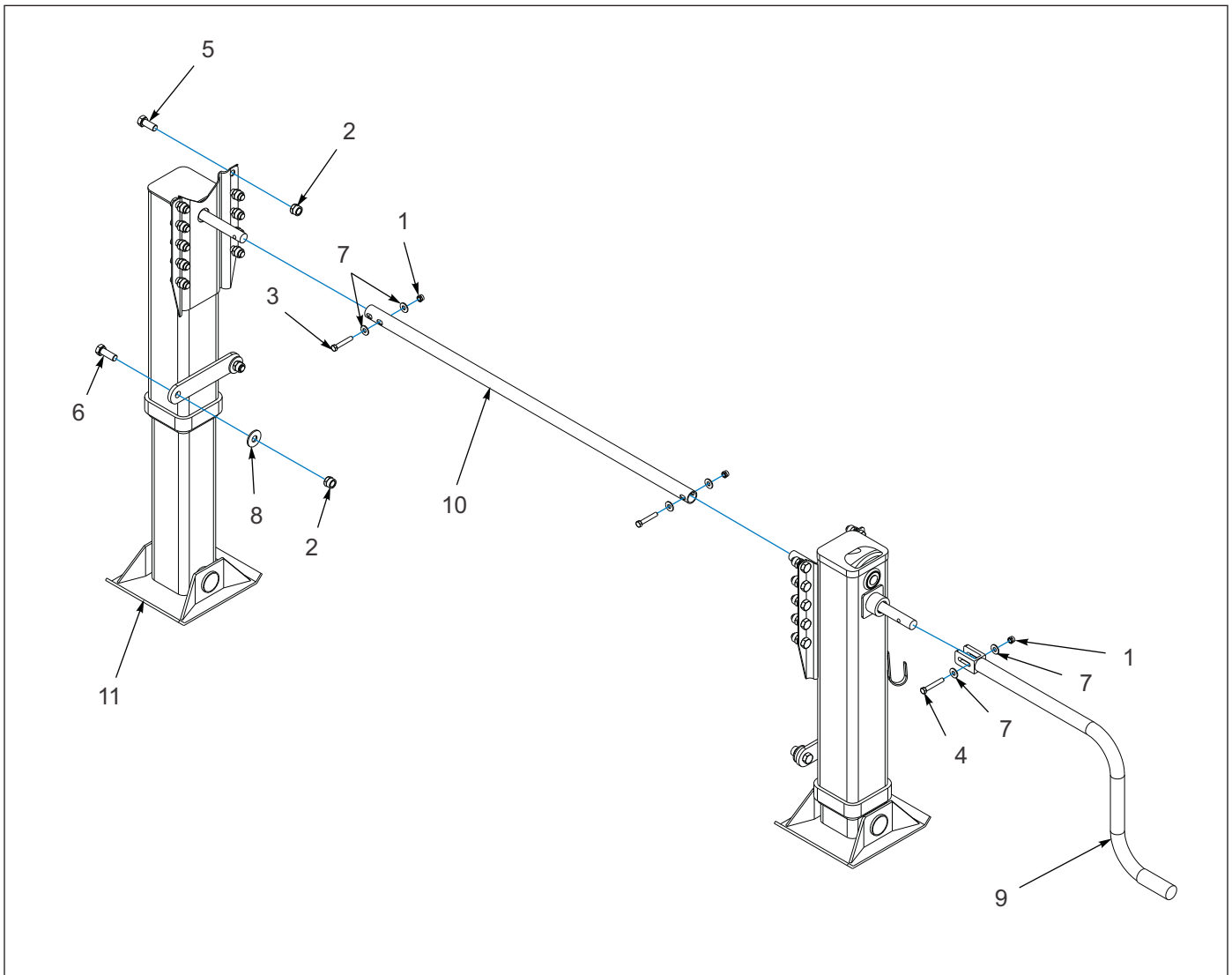


Figure 1-47: Landing Gear Installation - Jost 343

Landing Gear Installation - Jost 343

ITEM	PART NO.	DESCRIPTION	QTY.
	178658	LANDING GEAR INSTALLATION - JOST 343 ASSEMBLY	
1	1-512-010005-05	NUT, HEX LOCK 3/8-16 GRB	3
2	1-512-010005-13	NUT, HEX LOCK 5/8-11 GRB	24
3	1-654-010051-10	SCREW, HEX HEAD CAP 3/8-16 X 2-1/4 GR5	2
4	1-654-010051-11	SCREW, HEX HEAD CAP 3/8-16 X 2-1/2 GR5	1
5	1-654-010059-03	SCREW, HEX HEAD CAP 5/8-11 X 1-1/2 GR5	20
6	1-654-010059-04	SCREW, HEX HEAD CAP 5/8-11 X 1-3/4 GR5	4
7	1-861-010032-11	WASHER, FLAT 3/8W	6
8	1-861-010032-19	WASHER, FLAT 5/8W	4
9	109710	CRANK, LANDING GEAR	1
10	113883	CROSS-SHAFT, LANDING GEAR	1
11	178657	LANDING GEAR WELDMENT	1

Ladders

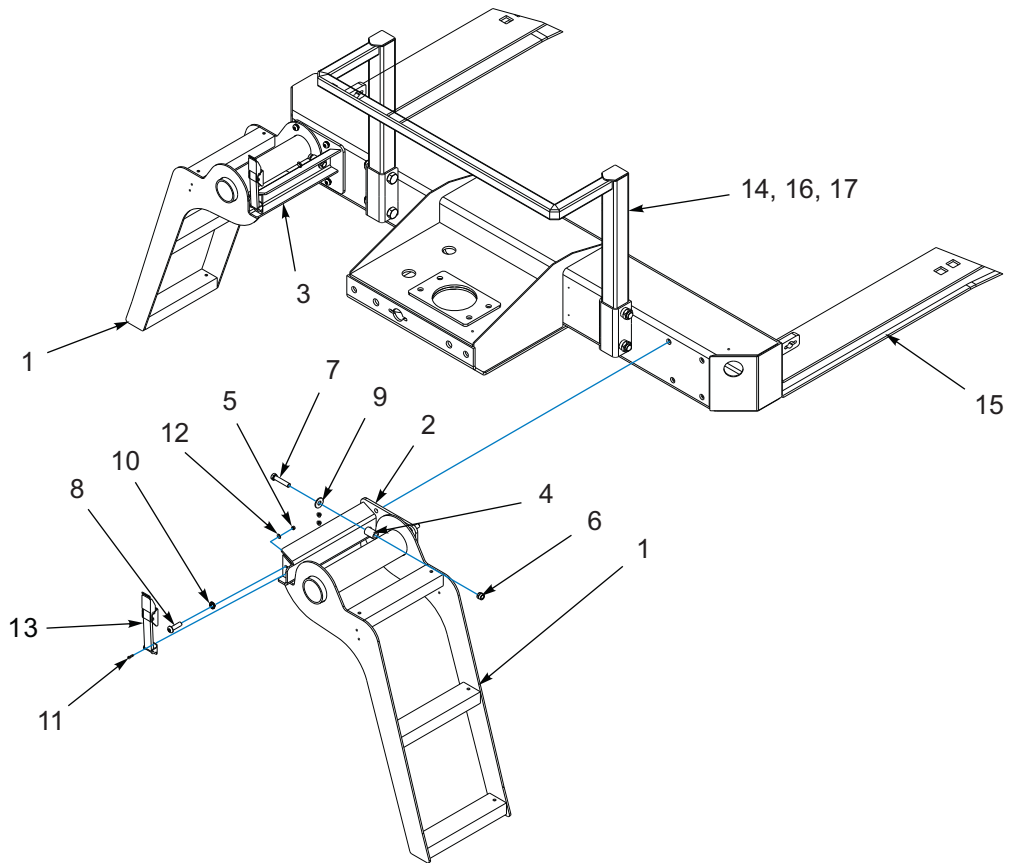


Figure 1-48: Ladder Assembly

Ladder Assembly

ITEM	PART NO.	DESCRIPTION			QTY.
	128950	LADDER ASSEMBLY LH (REF. ONLY)	*		
	128951	LADDER ASSEMBLY RH (REF. ONLY)		*	
	182455	LADDER ASSEMBLY - PAINTED (REF. ONLY)			*
1	128819	LADDER, ALUMINUM	1	1	1
1	182454	LADDER WELDMENT SHORT - ORANGE	--	--	1
2	128942	SUPPORT WELDMENT, LADDER LH	1	--	1
3	128943	SUPPORT WELDMENT, LADDER RH	--	1	--
4	128952	TUBE, ROUND 1OD X 5/8ID X 1-1/2	1	1	1
5	1-512-010004-03	NUT, HEX LOCK #10-24 GRA	4	4	4
6	1-512-010005-09	NUT, HEX LOCK 1/2-13 GRB	1	1	1
7	1-654-010055-07	SCREW, HEX HEAD CAP 1/2-13 X 2-1/2 GR5	1	1	1
8	1-654-010089-15	SCREW, SOCKET BUTTON 1/2-13 X 1-3/4	4	4	4
9	1-861-010032-15	WASHER, FLAT 1/2W	1	1	1
10	1-861-010034-13	WASHER, SPLIT LOCK 1/2	4	4	4
11	110-0116	SCREW, RD HEAD CAP #10-24 X 3/4	4	4	4
12	110-0253	WASHER, FLAT 3/16	4	4	4
13	3-443-010018	LATCH, FLEXIBLE DRAW, LEVER ASSIST	1	1	1
14	131629	GRAB BAR ASSEMBLY - FRONT (OPTION)	1	1	1
15	128199	FRAME WELDMENT	REF	REF	REF
16	131628	GRAB BAR WLDMT FRT 340	REF	REF	REF
17	188282	GRAB BAR WLDMT 343 ORANGE	REF	REF	REF

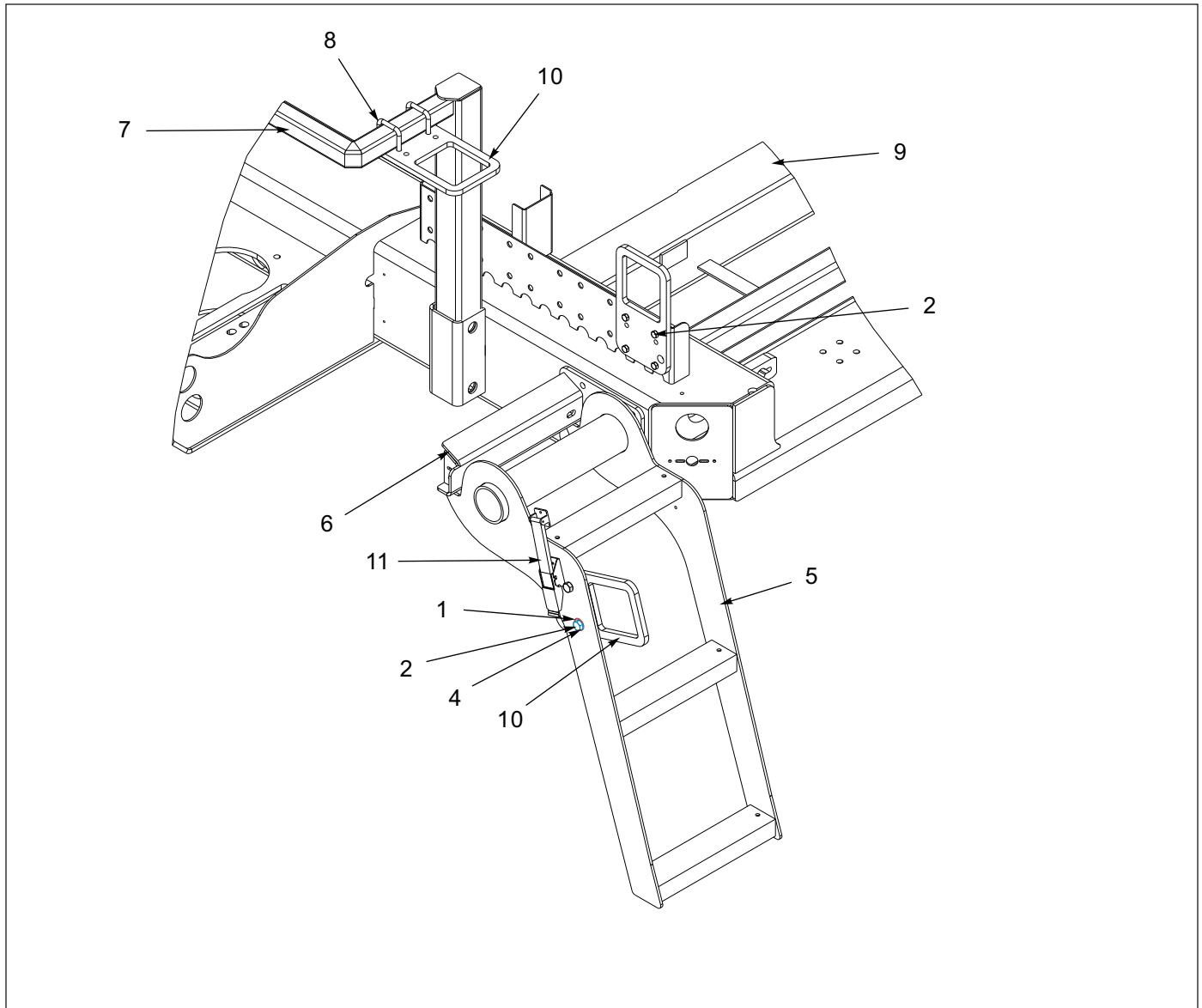


Figure 1-49: Grab Handle Assembly w/ 343 Ladder

343 Ladder Assembly

ITEM	PART NO.	DESCRIPTION	QTY.
	199109	GRAB HANDLE ASSEMBLY 343 LADDER	
1	1-512-010005-05	NUT, HEX, SLFLKG, 3/8-16 UNC, GRB	10
2	1-654-010051-06	SCREW, HEX, 3/8-16UNCX1-1/4 GR5	6
3	1-861-010032-11	WASHER, FLAT, ZP/CD, 3/8W (NOT SHOWN, USED ON HANDLES)	4
4	1-861-010034-11	WASHER, LKG, HLCL SPR, 3/8	2
5	128819	LADDER, ALUM 340	REF
6	128942	SUPPORT, WLDMT LADDER 340 LH	REF
7	131628	GRAB BAR WLDMT FRT 340	REF
8	171749	U-BOLT, 3/8-16X2-7/16X2-3/4	2
9	180913	FRAME WLDMT 343-102-43	REF
10	199108	GRAB HANDLE LADDER	3
11	3-443-010018	LATCH, FLEXIBLE DRAW, LEVER ASSIST	REF

Hitch

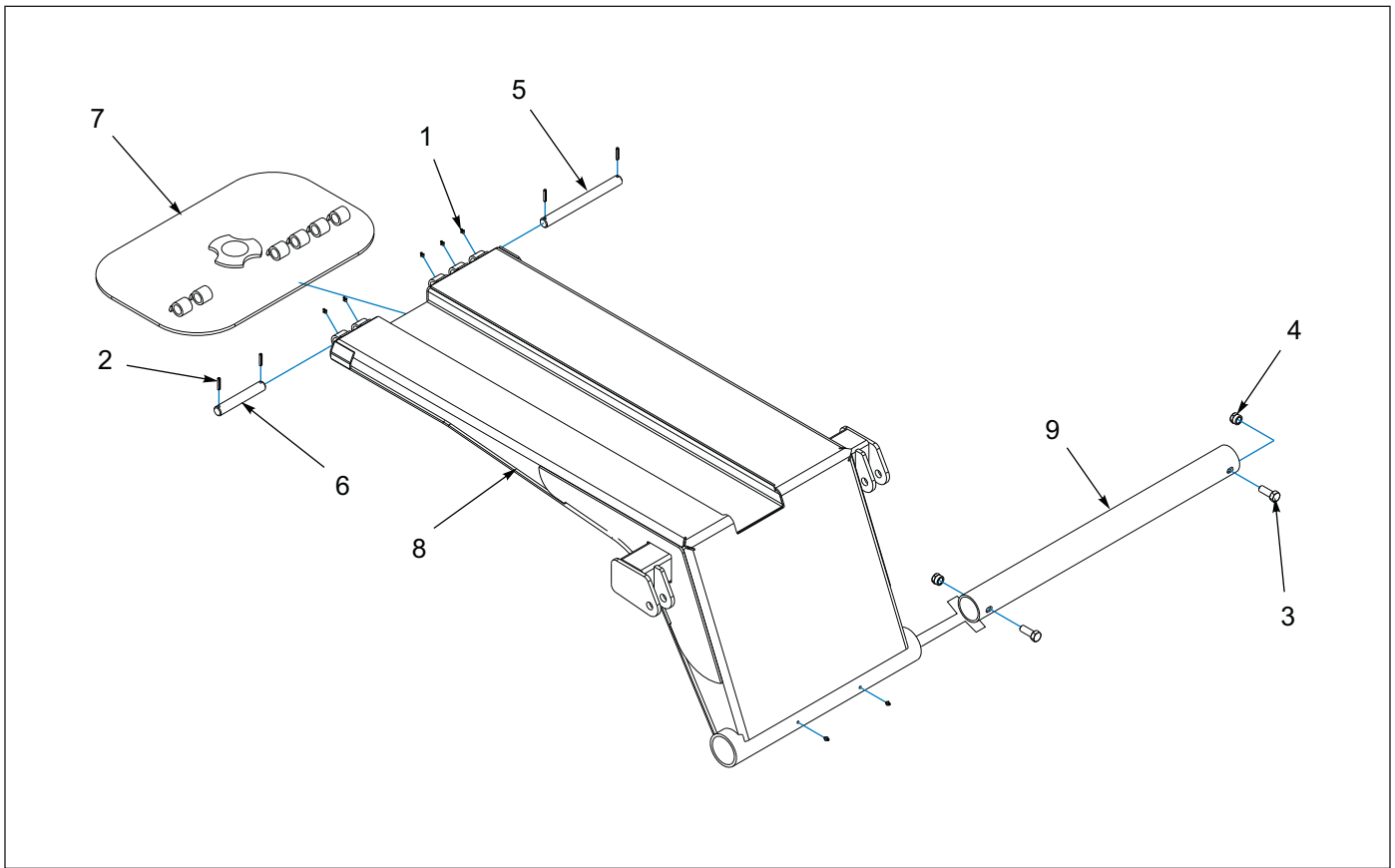


Figure 1-50: Hitch

Hitch

ITEM	PART NO.	DESCRIPTION	QTY.
	128391	HITCH INSTL 18PIN 340	
1	1-298-010001-1	FITTING, GREASE 1/4-28 STR SHORT	7
2	1-647-010004255	ROLL PIN, SLTD, 3/8X2	4
3	1-654-010061-05	SCREW, HEX, 3/4-10UNCX2 GR5	2
4	1-512-010005-15	NUT, HEX, SLFLKG, 3/4-10 UNC, GRB	2
5	128210	PIN, HINGE, 5TH WHEEL, 340-LG	1
6	128211	PIN, HINGE, 5TH WHEEL, 340-SHT	1
7	128212	HITCH PLATE, 18KP-340	1
8	128323	5H WHL PIVOT ARM WLDMT, 340	1
9	128390	PIVOT TUBE 340TRL	1

Misc Options

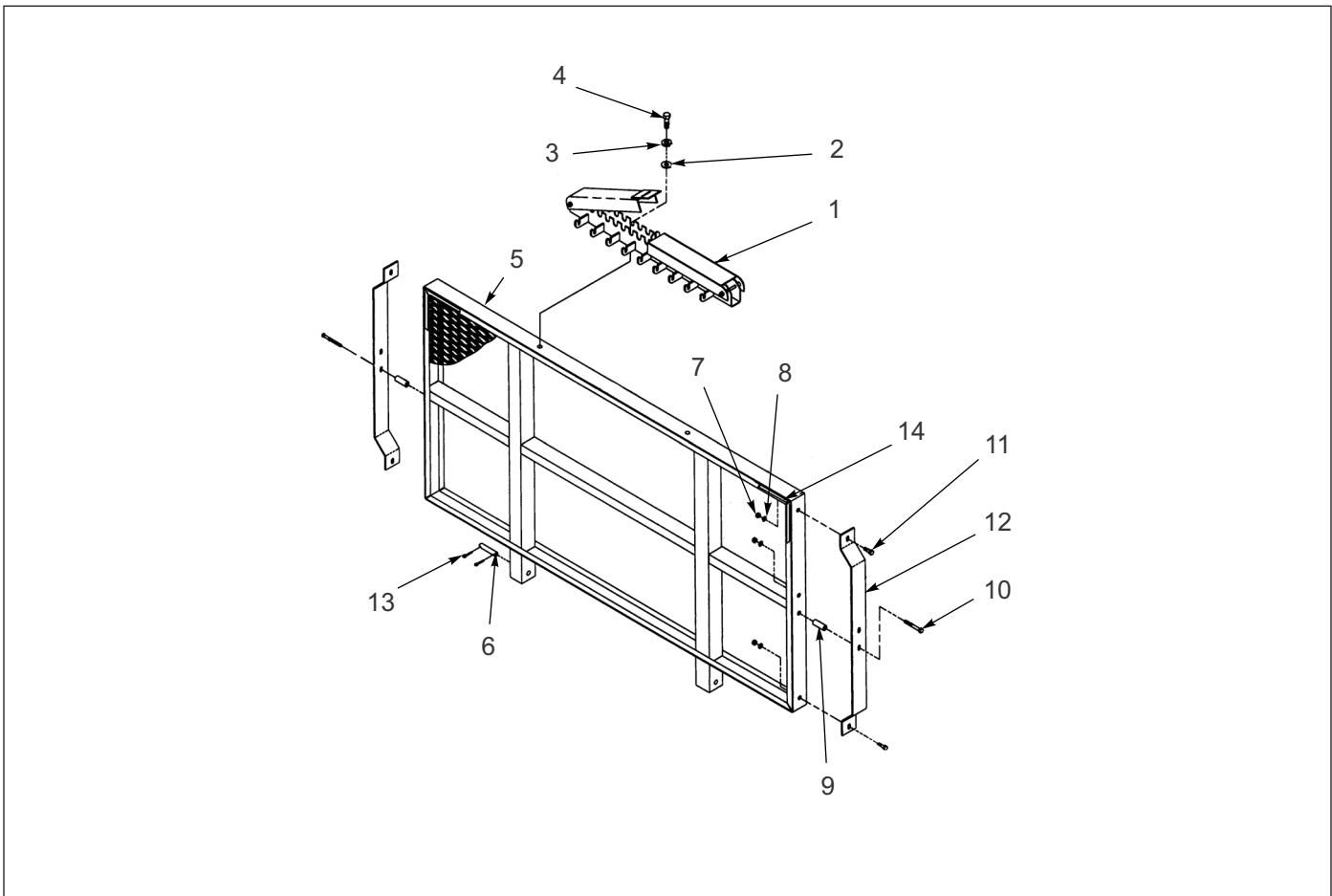


Figure 1-51: Bulkhead Assembly

Bulkhead Assembly

ITEM	PART NO.	DESCRIPTION	QTY.
	B7-141-003	BULKHEAD CHAIN BACK INSTALLATION (ITEMS 1-4)	
	3-141-010121-2	BULKHEAD INSTALLATION (ITEMS 5-13)	
1	3-141-010008	CHAIN HANGER LOCKING CHANNEL WELDMENT	1
2	1-861-010032-11	WASHER, FLAT 3/8	2
3	1-861-010034-11	WASHER, SPLIT LOCK 3/8	2
4	1-654-010051-06	SCREW, HEX HEAD CAP 3/8-16 X 1-1/4 GR5	2
5	3-141-010155	BULKHEAD WELDMENT 48 X 96	1
5	3-141-010152	BULKHEAD WELDMENT 16 X 102	1
6	6-557-010163	PIN HITCH LEVEL LINK	2
7	1-512-010005-09	NUT HEX LOCK 1/2-13 GRB	6
8	1-861-010032-15	WASHER PLAIN TYPE A 1/2	6
9	3-711-010025	SPACER (102)	2
10	1-654-010055-13	SCREW HEX HEAD CAP 1/2-13X4 GR5	2
11	1-654-010055-03	SCREW HEX HEAD CAP 1/2-13X1-1/2 GR5	4
12	3-054-010101	BAR SIDE BULKHEAD EXTENSION	2
13	1-557-010362-63	COTTER PIN 1/4X2	4
14	3-573-010378	DECAL, 2 X 12 REFLEXITE WHITE	4

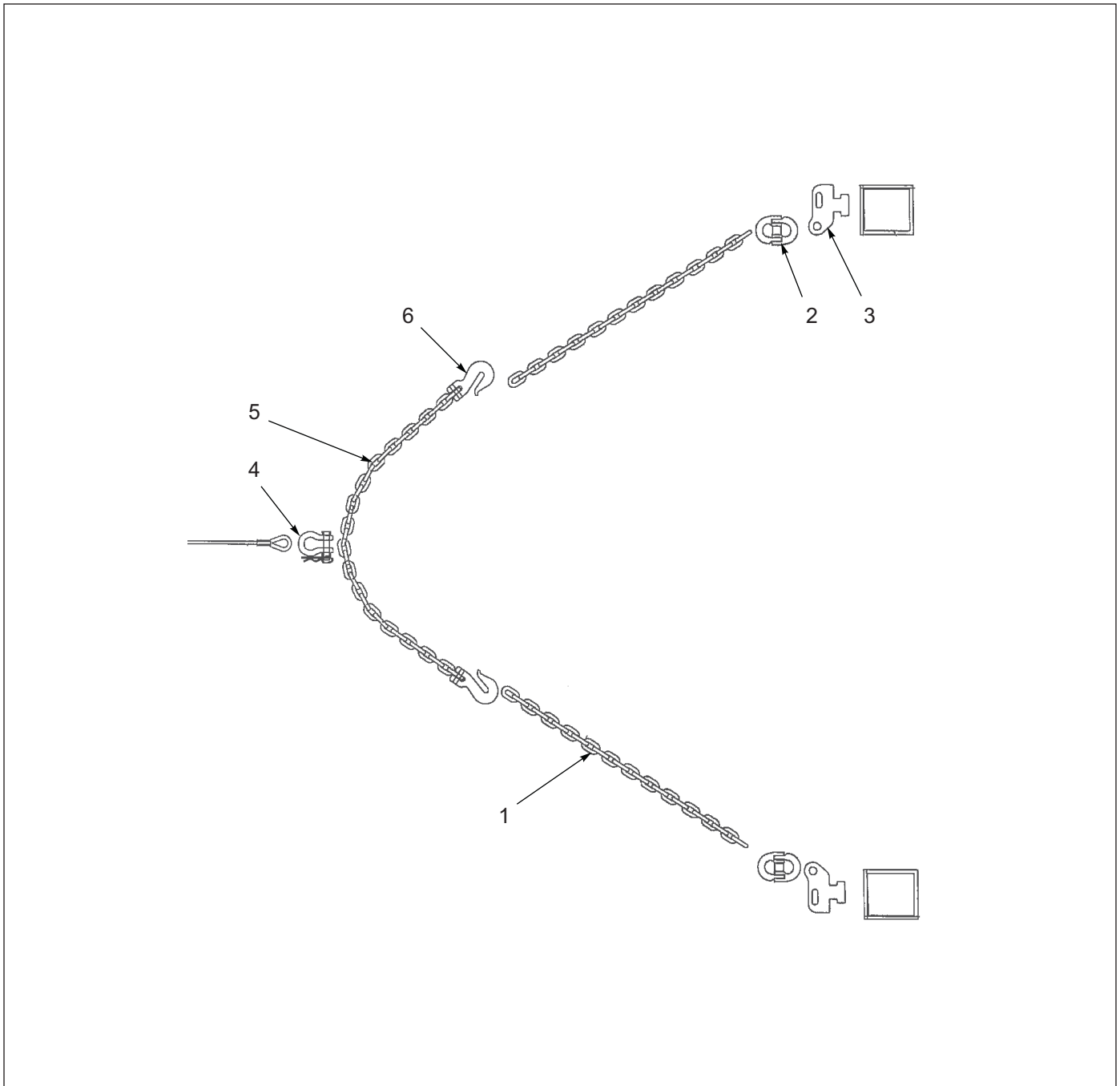


Figure 1-52: Container Chain and Bridle Assembly

Container Chain and Bridle Assembly

ITEM	PART NO.	DESCRIPTION	QTY.
	143267	CONTAINER CHAIN AND BRIDLE ASSEMBLY	
1	126888	CHAIN 1/2 X 36	2
2	126889	CHAIN CONNECTING LINK 1/2 GR8	2
3	128480	PLATE, CONTATIUNER CONNECT	2
4	137024	SHACKLE 1" SCREW PIN ANCHOR	1
5	143268	CHAIN, 1/2 X 53" GR8	1
6	7HCGHT500	HOOK, CLEVIS GRAB 1/2	2

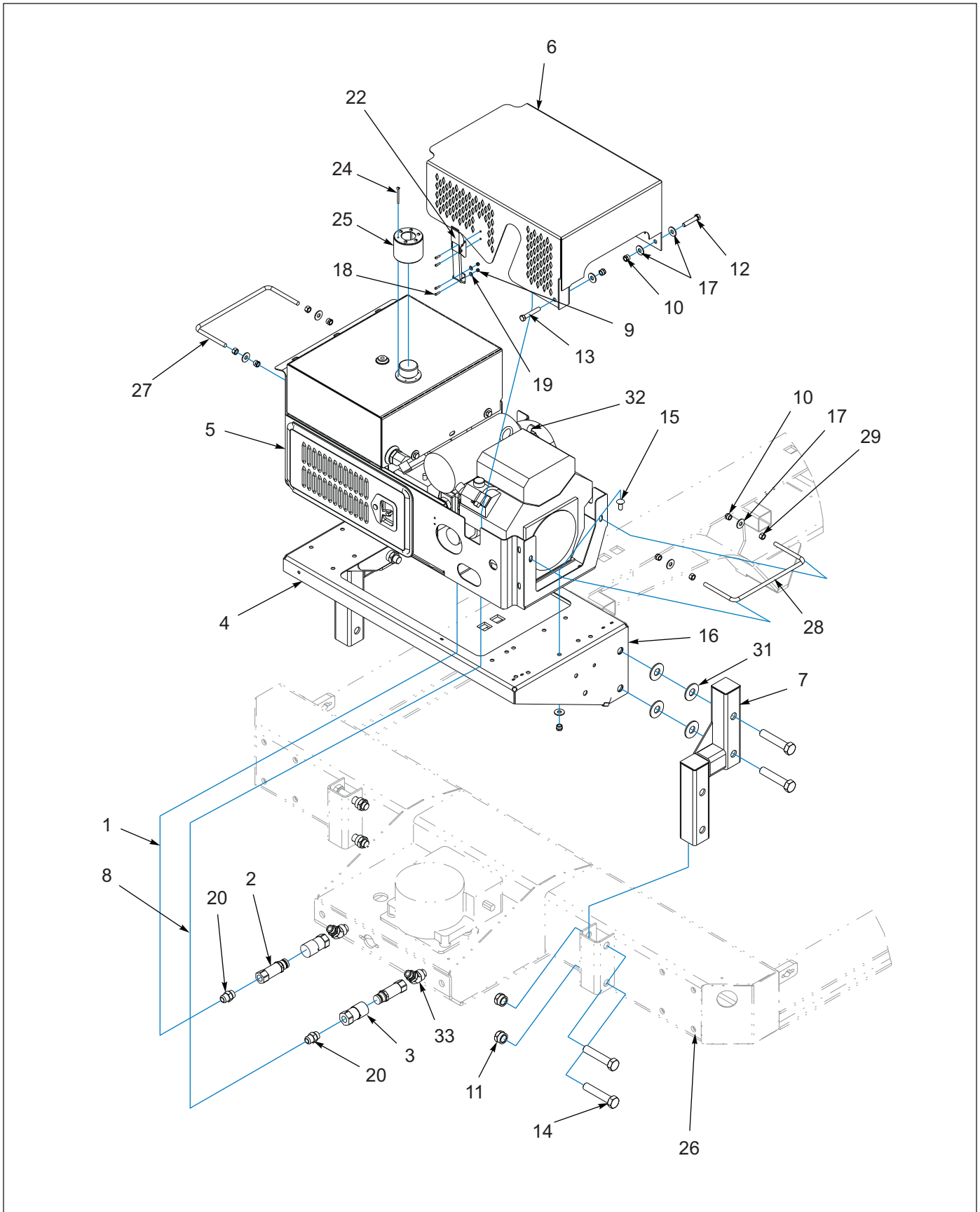


Figure 1-53: Engine - 25 HP Drive Installation

Engine - 25 HP Drive Installation

ITEM	PART NO.	DESCRIPTION	QTY.
	180938	25HP ENGINE DRIVE INSTALLATION (REF. ONLY)	
1	1-397-010305060	HOSE ASSEMBLY, 3/4 X 60	1
2	105479	COUPLER, FLAT FACE MALE NOSE	1
3	105480	COUPLER, FLAT FACE FEMALE BODY	1
4	112184	MOUNT WELDMENT	1
5	115601	25 HP GAS ENGINE PACKAGE (SEE PAGE 1-88)	1
6	121396	COVER WELDMENT	1
7	127686	MOUNT WELDMENT	2
8	105277	HOSE ASSEMBLY 3/4 X 78	1
9	1-512-010004-03	NUT, HEX LOCK 10-24 GRA	4
10	1-512-010005-09	NUT, HEX LOCK 1/2-13 GRB	10
11	1-512-010005-19	NUT, HEX LOCK 1-8 GRB	8
12	1-654-010055-07	SCREW, HEX HEAD CAP 1/2-13 X 2-1/2 GR5	1
13	1-654-010055-09	SCREW, HEX HEAD CAP 1/2-13 X 3 GR5	1
14	1-654-010065-15	SCREW, HEX HEAD CAP 1-8 X 5 GR5	8
15	178388	SCREW, BHSC 1/2-13UNCX1-1/4	3
16	1-822-010002	TRIM LOK 3/16 (NOT SHOWN)	6'
17	1-861-010032-15	WASHER, FLAT 1/2W	15
18	110-0116	SCREW, RD HEAD CAP #10-24 X 3/4	4
19	110-0253	WASHER, FLAT 3/16	4
20	202702-12-12S	ADAPTER STRAIGHT	2
21	128774	CABLE, THROTTLE 40' (NOT SHOWN)	2
22	3-443-010018	LATCH, FLEXIBLE DRAW, LEVER ASSIST	1
23	128781	HARNESS, ENG PACKAGE IGNITION (NOT SHOWN)	1
24	128806	SCREW, RD HEAD MACH #10-24 X 4	6
25	128809	FILLER EXTENSION OIL TANK	1
26	3-573-010506	DECAL, ENGINE CONTROL (NOT SHOWN)	1
27	129838	HANDLE, GRAB	1
28	129839	HANDLE, GRAB	1
29	1-510-010003-09	FLANGE NUT, 1/2-13 SERRATED	4
30	1-833-010003	TUBING, NYLON 1/2 (NOT SHOWN)	1.2'
31	1-861-010032-25	WASHER, FLAT 1W	8
32	3-181-010034-3	CLAMP, CONDUIT STEEL 1	1
33	138209	ADAPTER, HYD 45	2

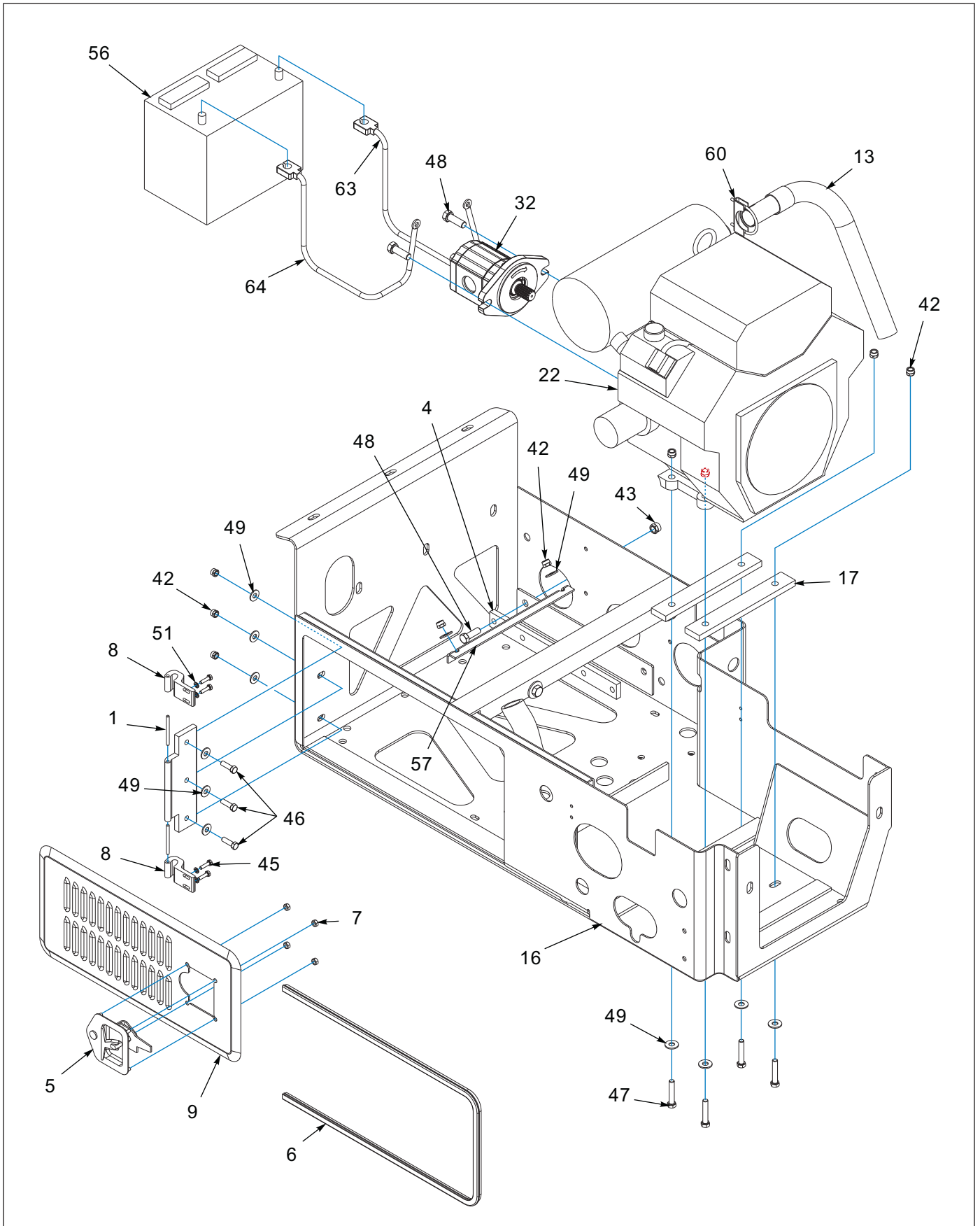


Figure 1-54: Engine - 25 HP Gas Package (1 of 2)

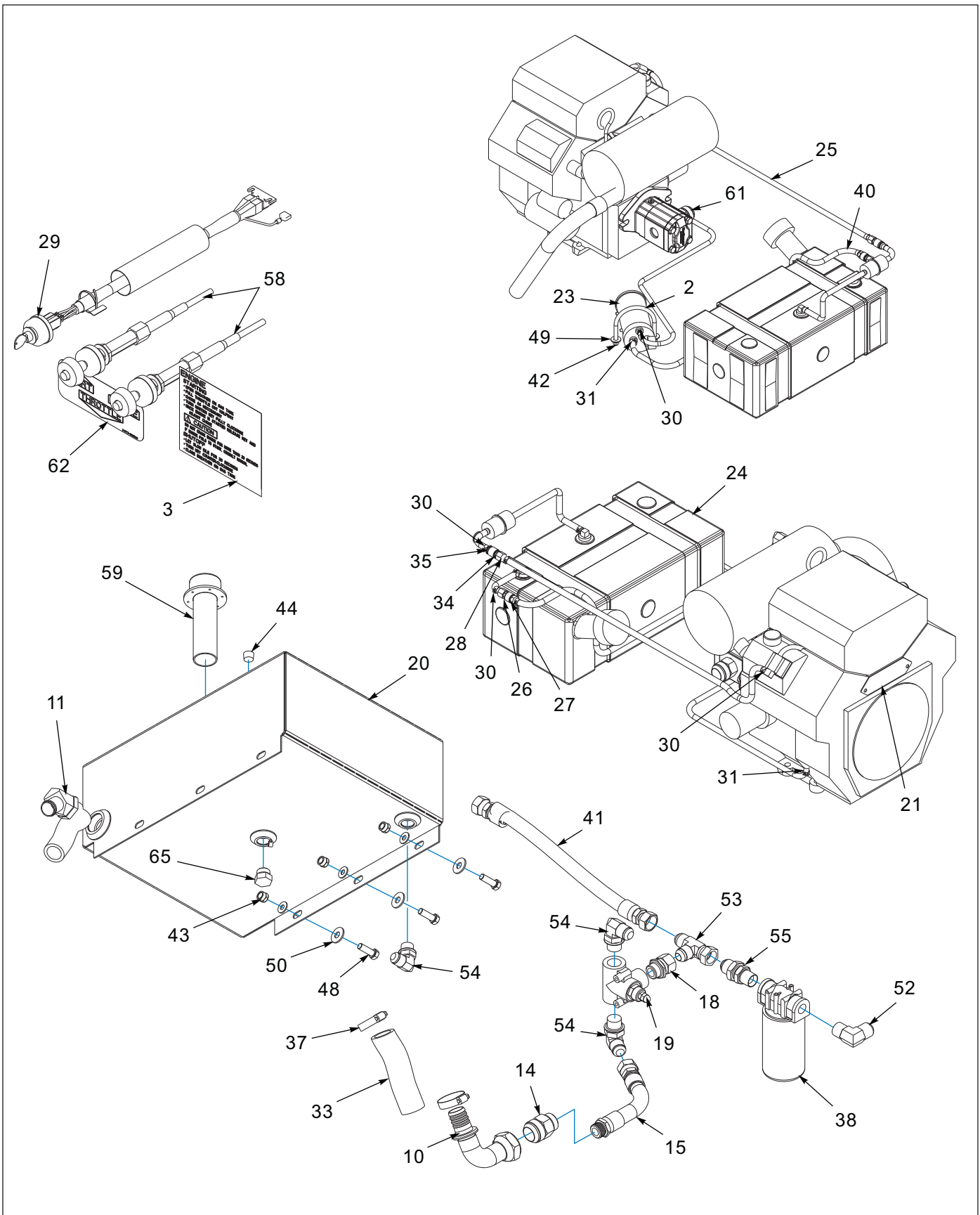


Figure 1-55: Engine - 25 HP Gas Package (2 of 2)

Engine - 25 HP Gas Package

ITEM	PART NO.	DESCRIPTION	QTY.
	189370	25 HP GAS ENGINE PACKAGE	
1	108601	PIN, DOOR HINGE	2
2	110578	U-BOLT, 3/8-16 X 3-1/8 X 4-1/8	1
3	113388	DECAL, ENG PKG INSTR, 600/900	1
4	113856	MOUNT, ENGINE ISLATOR, KOHLER CH25	1
5	114814	LATCH FOLTING T LOCKABLE	1
6	114815	SEAL, SPONGE RUBBER TRIM	5
7	115877	NUT, HVY HEX, 1/4-20 GR5	4
8	116326	HINE, BASE MNT, COM ENG PKG	1
9	116328	MOUNT, DOOR WLDMT, COM ENG PKG	1
10	116330	FITTING, 1.25F 37 - 1.25 BRAB, 90	1
11	117873	FITTING, 1.63-12 SAE 1.25H/B45	1
12	119206	HINGE, DOOR ENG DRIVE, 25HP	2
13	119445	EXHAUST EXT WLDMT, 25HP E/P	1
14	119553	SAE_O_RING_TO_37_DEG_FLARE	1
15	119577	HOSE 3/4X9.25 1-1/16 O/R -12 SAE	1
16	120654	MOUNT WLDMT, ENG PKG, 25HP	1
17	120659	ISOLATOR, KOHLER 25HP MOUNT	2
18	120660	ADAPTER, #12-O/R FEM-#12FL ML	1
19	120661	VALVE, HYD PRES #12SAE, 2500PSI	1
20	120662	HYD TANK WLDMT, 15G E/P	1
21	123014	PLATE, MOTOR FRONT, 25HP E/P	1
22	189307	ENGINE, KOHLER 25HP, PUMP MNT	1
23	166766	CARBON CANISTER, FUEL TANK, GAS	1
24	169531	5 GAL TANK, LOW PROFILE, END NECK	1
25	169532	HOSE, FUEL, 1/4 LOW PERM, CARB	5
26	170109	FITTING, 1/4 MPT TO MALE QD, FORCE	1
27	170110	FITTING, 5/16 BARB TO FEMALE QD, FORCE	1
28	173860	FITTING, 1/4 BARBS TO FEMALE	2
29	178428	SWITCH AND HARNESS KIT, KOHLER U/D	1
30	178638	SPRING CLAMP, 1/2 IN OD FUEL HOSE	8
31	179090	SPRING CLAMP, 7/16 IN OD FUEL HOSE	2
32	186811	PUMP HYDRAULIC GEAR, 0.77CID	1
33	193904	HOSE, 1-1/4 SUCTION	1
34	202225	FITTING, 1/4 MNPT/MALE QD	1
35	202226	FITTING, 5/16 HOSE BARB/FEMALE QD	1
36	1410792	OIL, ENGINE 10W-30 (NOT SHOWN)	0.5 GAL.
37	209878	CLAMP, HOSE 1-1/16 TO 2 IN DIA #24	2
38	1-295-010001	RETURN LINE FILTER	1
39	1-297-010034-01	FITTING, BR 1/4X1/8P 90 BARB	1
40	1-316-010013	HOSE, 1/4 LOW PRESSURE FUEL	5
41	1-397-010304018	HOSE ASSEMBLY, 3/4X18 SAE37, STR-STB	1
42	1-512-010005-05	NUT, HEX, SLFLKG, 3/8-16 UNC, GRB	11
43	1-512-010005-09	NUT, HEX, SLFLKG, 1/2-13 UNC, GRB	7
44	1-560-010002-04	PLUG, PIPE, 1/2NPT	1
45	1-654-010047-06	SCREW, HEX, 1/4-20UNCX1 GR5	4
46	1-654-010051-06	SCREW, HEX, 3/8-16UNCX1-1/4 GR5	3
47	1-654-010051-09	SCREW, HEX, 3/8-16UNCX2 GR5	4
48	1-654-010055-03	SCREW, HEX, 1/2-13UNCX1-1/2 GRB	9

Engine - 25 HP Gas Package

ITEM	PART NO.	DESCRIPTION	QTY.
49	1-861-010032-11	WASHER, FLAT, ZP/CD, 3/8W	14
50	1-861-010032-15	WASHER, FLAT, ZP/CD, 1/2W	5
51	1-861-010034-09	WASHER, LKG, HLCL SPR, 1/4	4
52	2024-12-12S	ELBOW, 90, #12 PIPE - #12 TUBE	1
53	203102-12-12S	ADAPTER, TEE, #12, SAE37 SWIVL	1
54	2062-12-12S	ADAPTER, 90, #12 O-RINGX#12 TUBE	3
55	2240-12-12S	ADAPTER, BLKHD, 3/4NPT - 3/4BTE	1
56	2481X	BATTERY 12 VOLT	1
57	3-120-010124	BATTERY CLAMP BRKT	1
58	3-155-010012	CABLE THROTTLE	2
59	3-162-010001	FILLER-BREATH-ER-STRAINER	1
60	3-182-010028	CLAMP, MUFFLER	1
61	3-316-010008	3/16 ID FUEL HOSE	3 FT.
62	3-573-010506	DECAL, ENGINE, 345A CONTROL	1
63	514-9045-26	CABLE ASSEMBLY, BATTERY NEG 48 IN.	1
64	514-9073-18	CABLE ASSEMBLY, BATTERY POS 48 IN.	1
65	900598-12S	PLUG O-RING BOSS #12	1

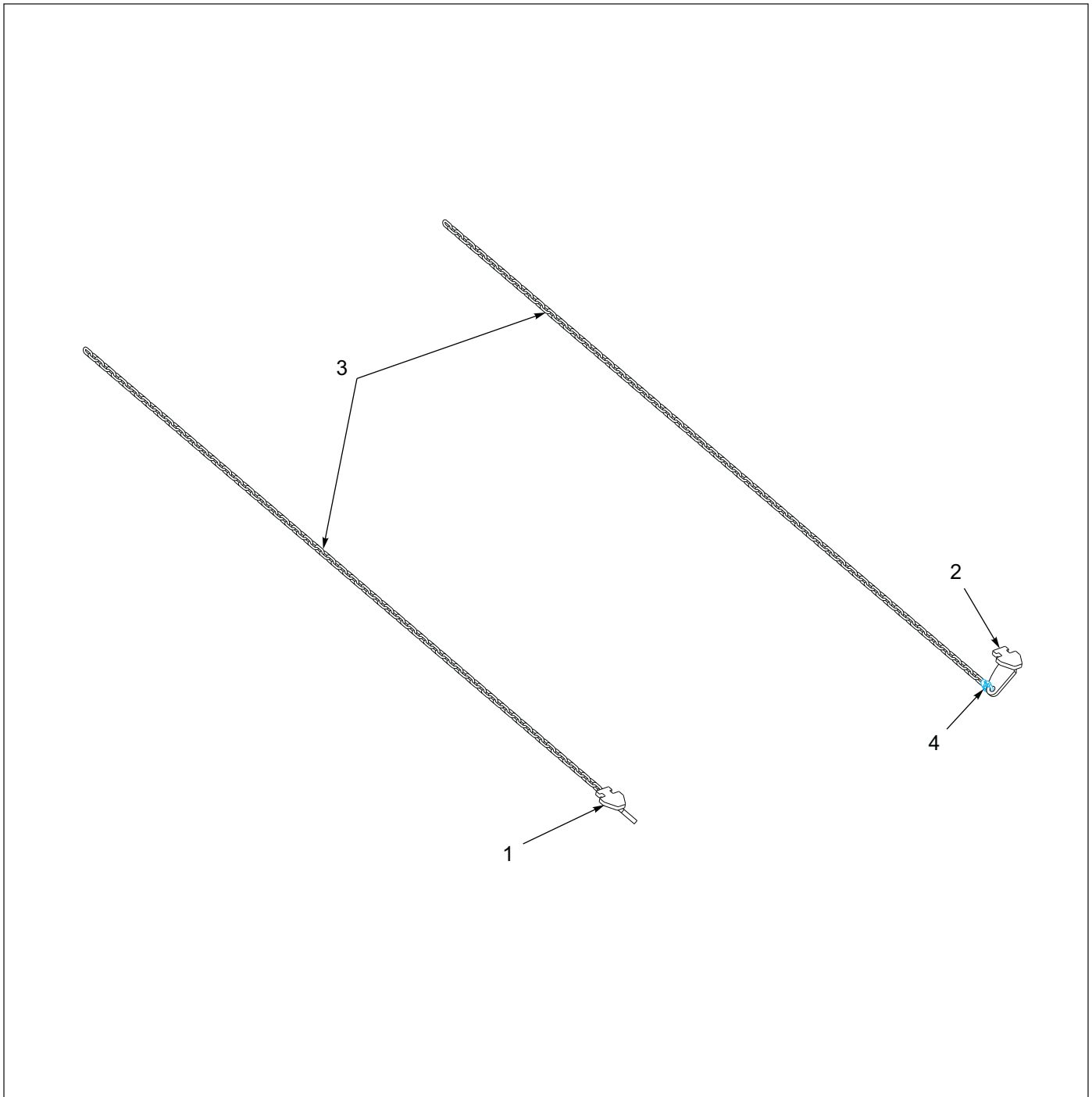


Figure 1-56: Hold Down Rear Container

Hold Down Rear Container

ITEM	PART NO.	DESCRIPTION	QTY.
	169394	HOLD DOWN REAR CONTAINER, 1.5	
1	128973	CONNECTOR, CONATINER REAR PULL, LH	1
2	128974	CONNECTOR, CONTAINER REAR PULL, RH	1
3	169383	CHAIN, 3/8 X 12.5 FT	2
4	3-174-010042	CHAIN LINK, CONNECTING 3/8	2

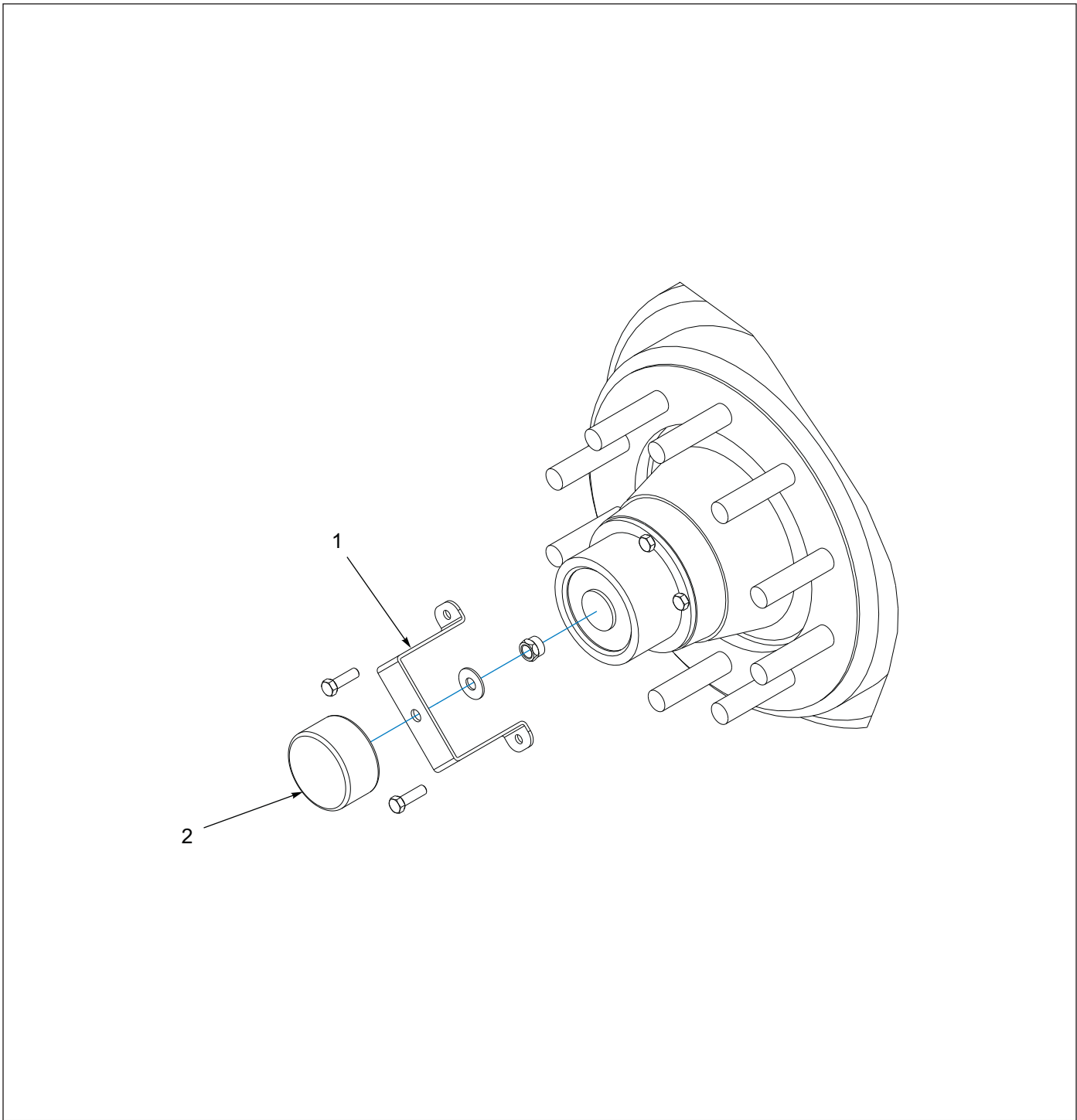


Figure 1-57: Hubodometer Installation- 255 Tires

Hubodometer Installation- 255 Tires

ITEM	PART NO.	DESCRIPTION	QTY.
	137108	HUBODOMETER INSTALLATION, 255 TIRES	
1	112529	BRACKET, HUBODOMETER, CON-MET	1
2	113109	HUBODOMETER, 567 RPM	1

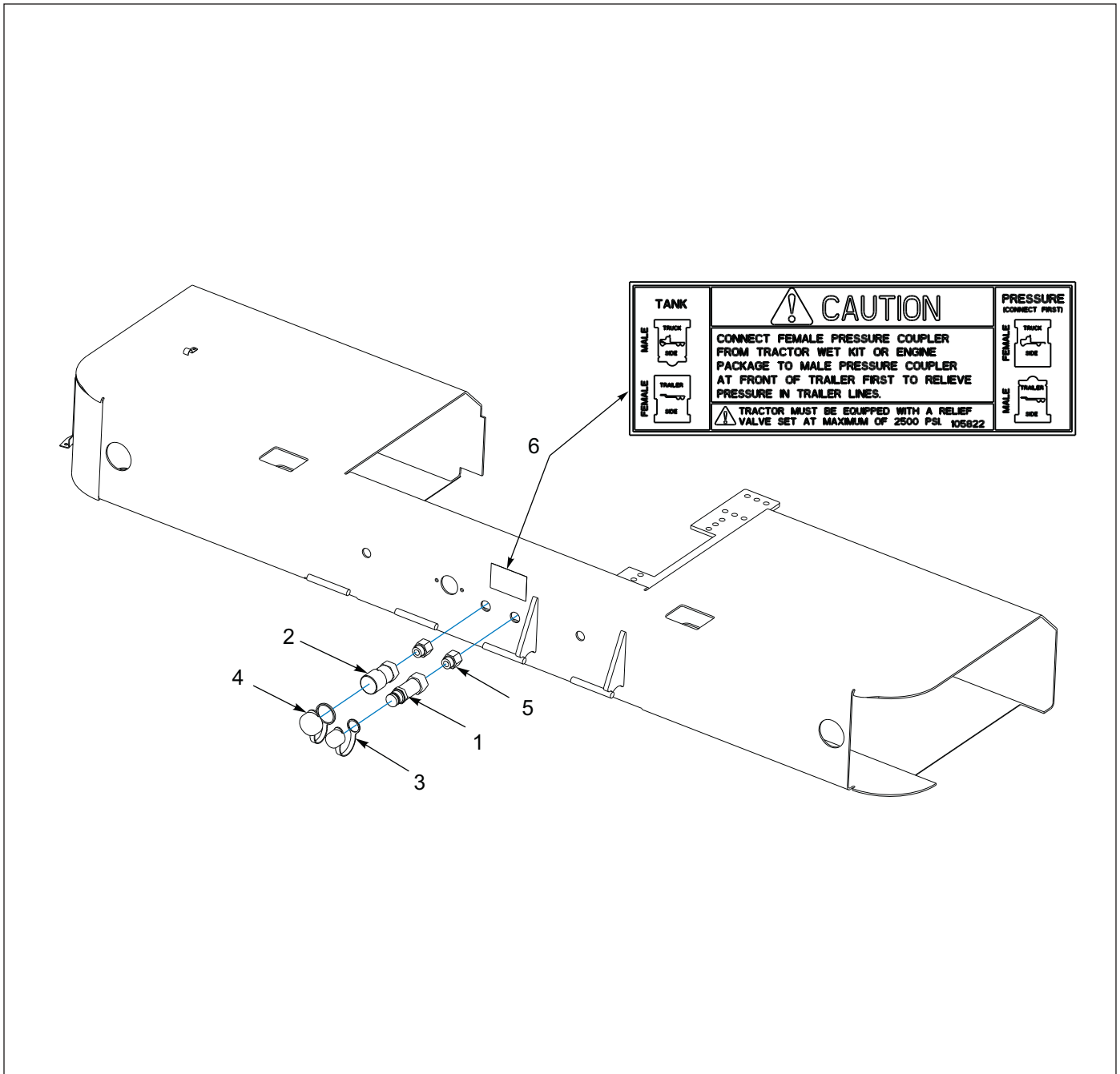


Figure 1-58: Hydraulic Conversion Kit - Ball to Flat

Hydraulic Conversion Kit - Ball to Flat

ITEM	PART NO.	DESCRIPTION	QTY.
	105902	HYDRAULIC CONVERSION KIT, BALL TO FLAT	
1	105479	COUPLER, FLAT FACE MALE NOSE	1
2	105480	COUPLER, FLAT FACE FEMALE BODY	1
3	105481	COUPLER, DUST CAP MALE	1
4	105482	COUPLER, DUST CAP FEMALE	1
5	2216-12-12S	INTERNAL PIPE O-RING BOSS	2
6	105822	DECAL, HYD COUPLER	1

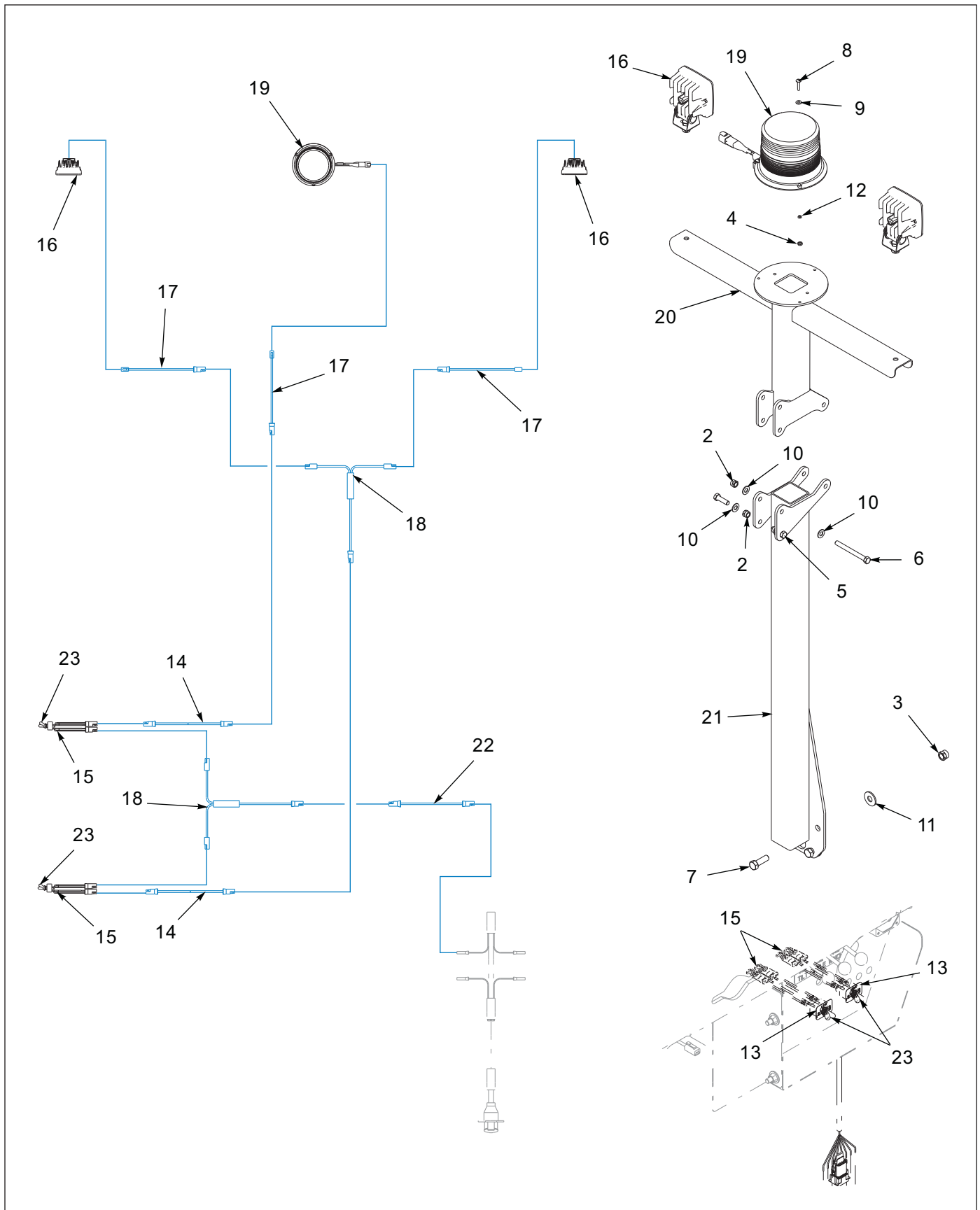


Figure 1-59: Strobe Beacon and Work Light Installation

Strobe Beacon and Work Light Installation

ITEM	PART NO.	DESCRIPTION	QTY.		
	199799	STROBE BEACON & (2) WORK 343 (REF. ONLY)	*		
	199800	STROBE BEACON INSTL 343 (REF. ONLY)		*	
	199801	WORK LIGHT (2) 343 (REF. ONLY)			*
1	1-343-010006	GROMMET 7/8IDX1/4GWX1-1/4GD	2	--	2
2	1-512-010005-05	NUT, HEX, SLFLKG, 3/8-16 UNC GRB	3	3	3
3	1-512-010005-09	NUT, HEX, SLFLKG, 1/2-13 UNC, GRB	4	4	4
4	1-512-010007-03	NUT, HEX, #10-24 UNC GR2	3	3	3
5	1-654-010051-06	SCREW, HEX, 3/8-16UNCX1-1/4 GR5	2	2	2
6	1-654-010051-16	SCREW, HEX, 3/8-16UNCX3-3/4 GR5	1	1	1
7	1-654-010055-03	SCREW, HEX, 1/2-13UNCX1-1/2 GR5	4	4	4
8	1-656-010003053	SCREW, RD HD MACH #10-24X1	3	3	3
9	1-861-010032-03	WASHER, FLAT. ZP/CD #10	3	3	3
10	1-861-010032-10	WASHER, FLAT, ZP/CD 3/8N	4	4	4
11	1-861-010032-15	WASHER, FLAT, ZP/CD, 1/2W	4	4	4
12	1-861-010034-07	WASHER, LKG, HLCL SPR, #10	3	3	3
13	130116	DECAL ON/OFF LIGHT	2	2	2
14	150111	HARNESS 300 IN. MALE/FEMALE BULLET	2	--	2
15	150117	TOGGLE SWITCH SEALED S.P.S.T	2	2	2
16	163996	LIGHT LED WHITE FLOOD LAMP	2	--	2
17	164052	HARNESS 60IN. BRANCH WORK LIGHT	3	3	3
18	169853	HARNESS JUMPER T-POWER	2	2	2
19	184501	STROBE BEACON DEUTSCH CONN	1	1	--
20	199791	BRACKET WLDMT LIGHT SUPPORT TOP	1	1	1
21	199792	BRACKET WLDMT LIGHT SUPPORT BTM	1	1	1
22	3-368-010252	HARNESS ASSEMBLY, BKHD LIGHT EXT	1	1	1
23	81264	RUBBER BOOT FOR ELECT SWITCH	2	--	2
24	187868	LIGHT MID-TURN LED CLEAR LENS (SPARE LIGHT)	1	1	1
25	187864	LIGHT RED LED .75CL/MK CLEAR CB (SPARE LIGHT)	2	2	2
26	187863	LIGHT YEL LED .75CL/MK CLEAR CB (SPARE LIGHT)	2	2	2
27	187860	LIGHT ASSEMBLY LICENSE LED GROTE (SPARE LIGHT)	1	1	1
28	179902	LIGHT S/T/T RED CLEAR LENS GROTE (SPARE LIGHT)	2	2	2

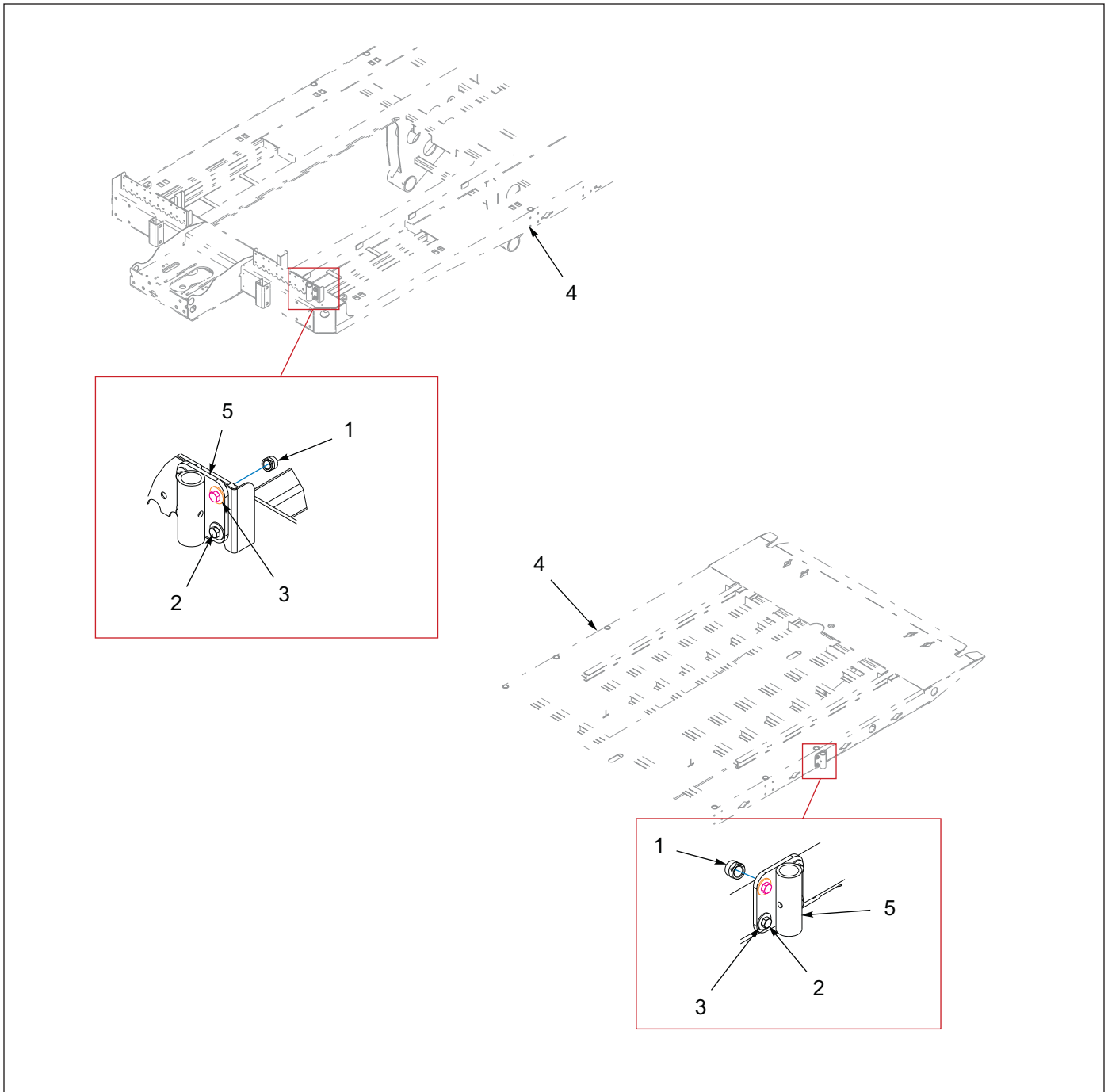


Figure 1-60: Side Guide - Anchor Pair

Side Guide - Anchor Pair

ITEM	PART NO.	DESCRIPTION	QTY.
	178683	SIDE GUIDE ANCHOR	
1	1-512-010005-09	NUT, HEX, SLFLKG, 1/2-13 UNC, GRB	8
2	1-654-010055-04	SCREW, HEX, 1/2-13 UNC X 1-3/4, GR5	8
3	1-861-010032-14	WASHER, FLAT, ZP/CD, 1/2W	16
4	-----	FRAME WELDMENT	REF
5	178670	GUIDE ANCHOR WELDMENT	2

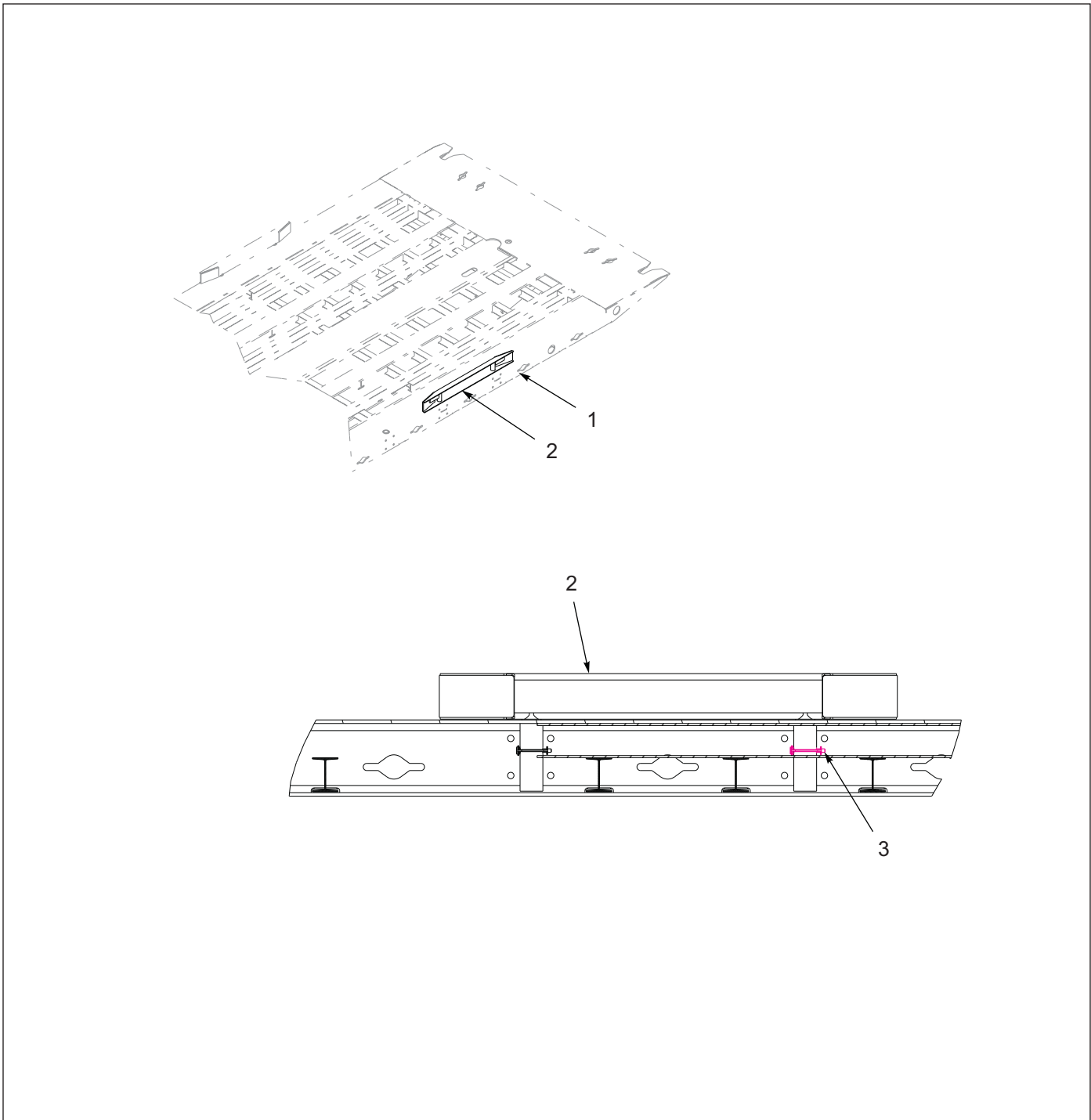


Figure 1-61: Side Guide - Container Pair

Side Guide - Container Pair

ITEM	PART NO.	DESCRIPTION	QTY.
	178682	SIDE CONTAINER GUIDE PAIR	
1	-----	FRAME WELDMENT	REF
2	178666	GUIDE CONTAINER WLDMT	2
3	516-22PTL	PIN, MUD FLAP	4

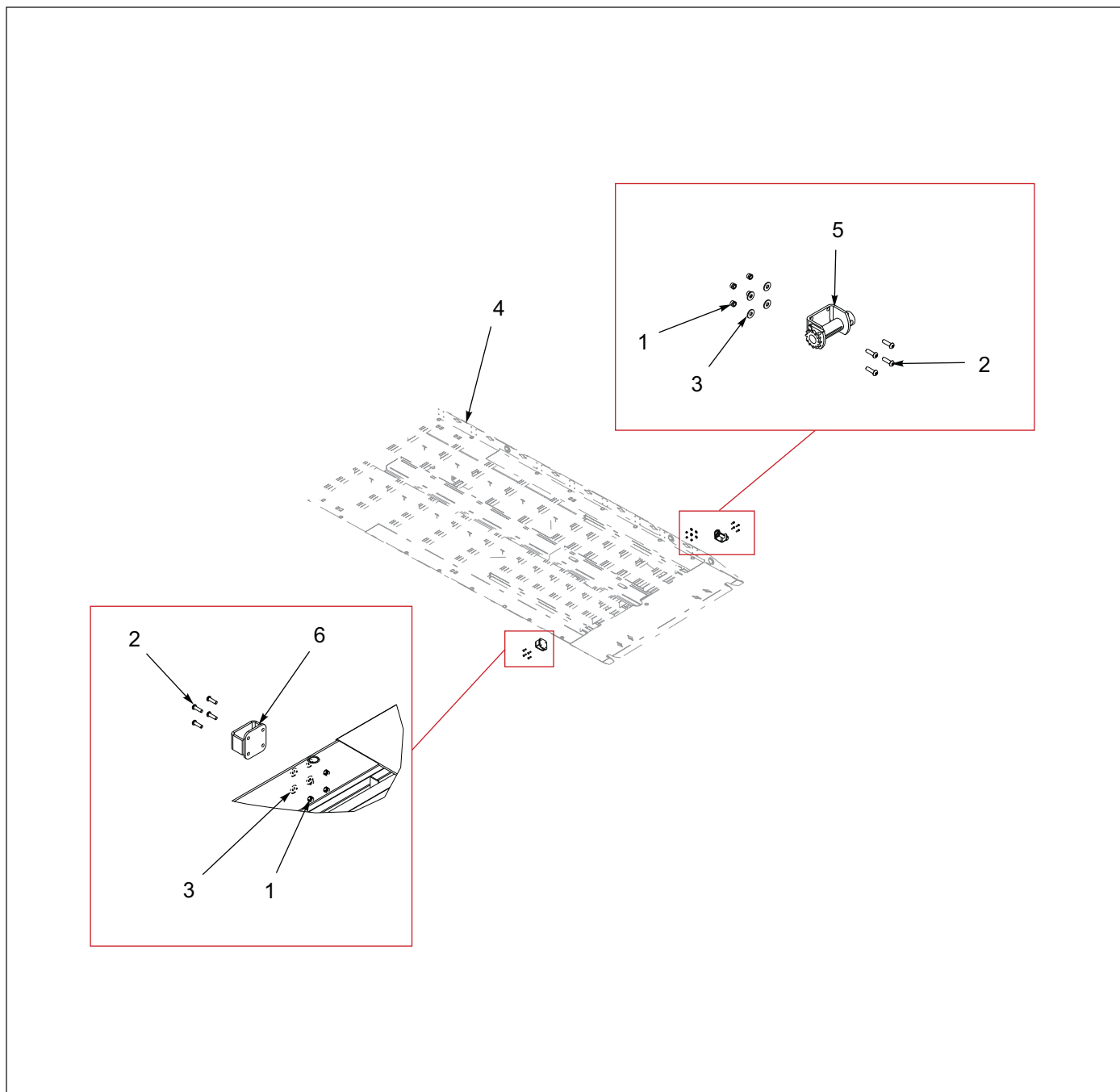


Figure 1-62: Strap Ratchet & Hook Assembly

Strap Ratchet & Hook Assembly

ITEM	PART NO.	DESCRIPTION	QTY.
	183637	STRAP RATCHET & HOOK ASSEMBLY	
1	1-512-010005-09	NUT, HEX, SLFLKG, 1/2-13 UNC, GRB	8
2	1-654-010089-15	SCREW, SKT BTN, 1/2-13 UNC X 1-3/4	8
3	1-861-010032-15	WASHER, FLAT, ZP/CD, 1/2W	8
4	-----	FRAME WELDMENT	REF
5	183638	STRACH RATCHET, BOLT-ON	1
6	183639	STRAP HOOK, POCKET BOLT-ON	1

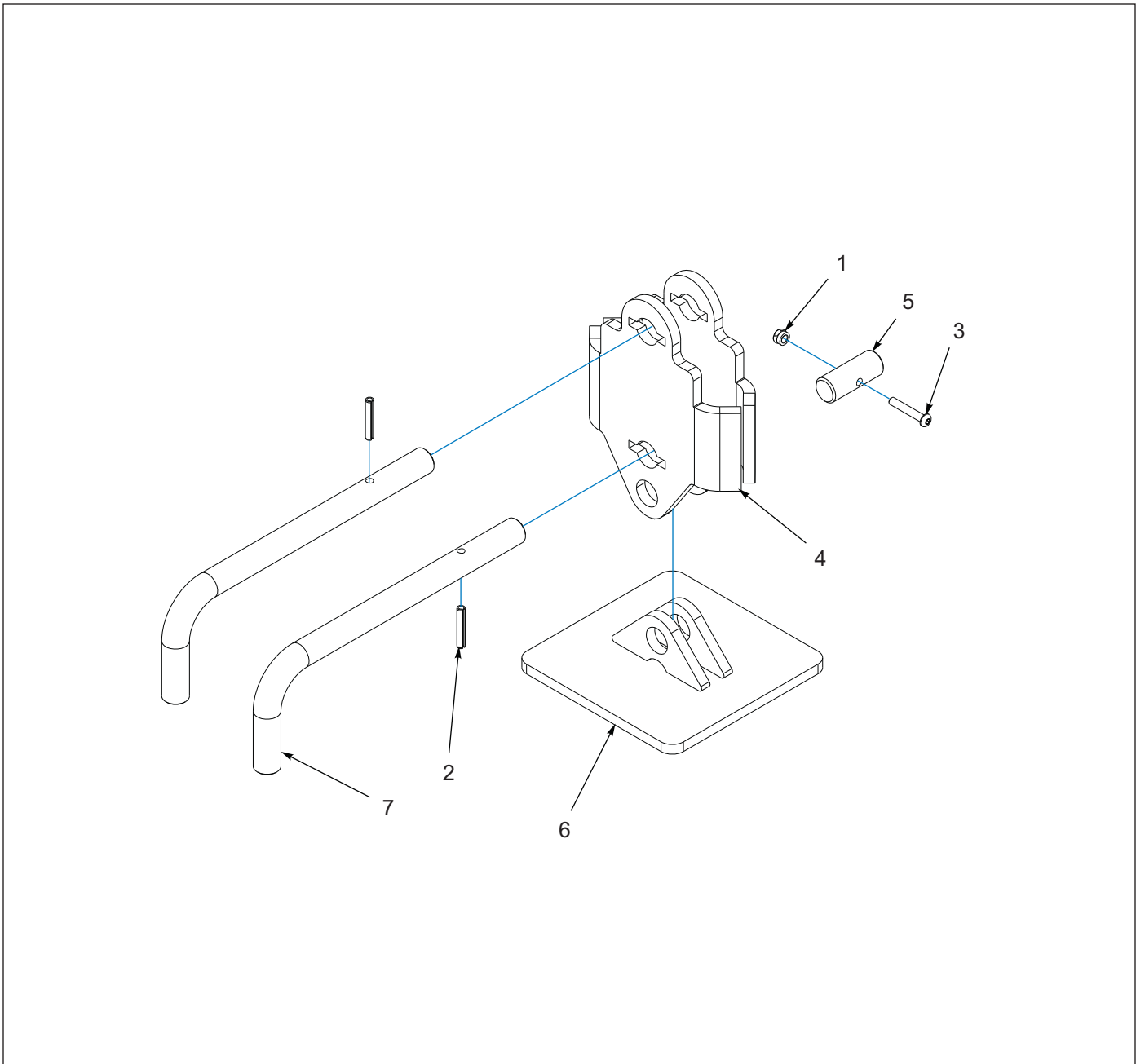


Figure 1-63: Tiedown Assembly - Shoe Lock

Tiedown Assembly - Shoe Lock

ITEM	PART NO.	DESCRIPTION	QTY.
	128469	SHOE LOCK TIEDOWN ASSEMBLY	
1	1-512-010005-01	NUT, HEX LOCK 1/4-20	2
2	1-647-010004217	SPRING PIN, SLOTTED 1/4 X 1-1/2	4
3	108220	SCREW, BUTTON HEAD CAP 1/4-20 X 1-1/2	2
4	126111	FOOT WELDMENT, CONTAINER OFFLOAD	2
5	126114	PIN, BOTTOM OFFLOAD FOOT	2
6	126117	BASE WELDMENT, OFFLOAD FOOT	2
7	127843	PIN, TOP OFFLOAD FOOT	4

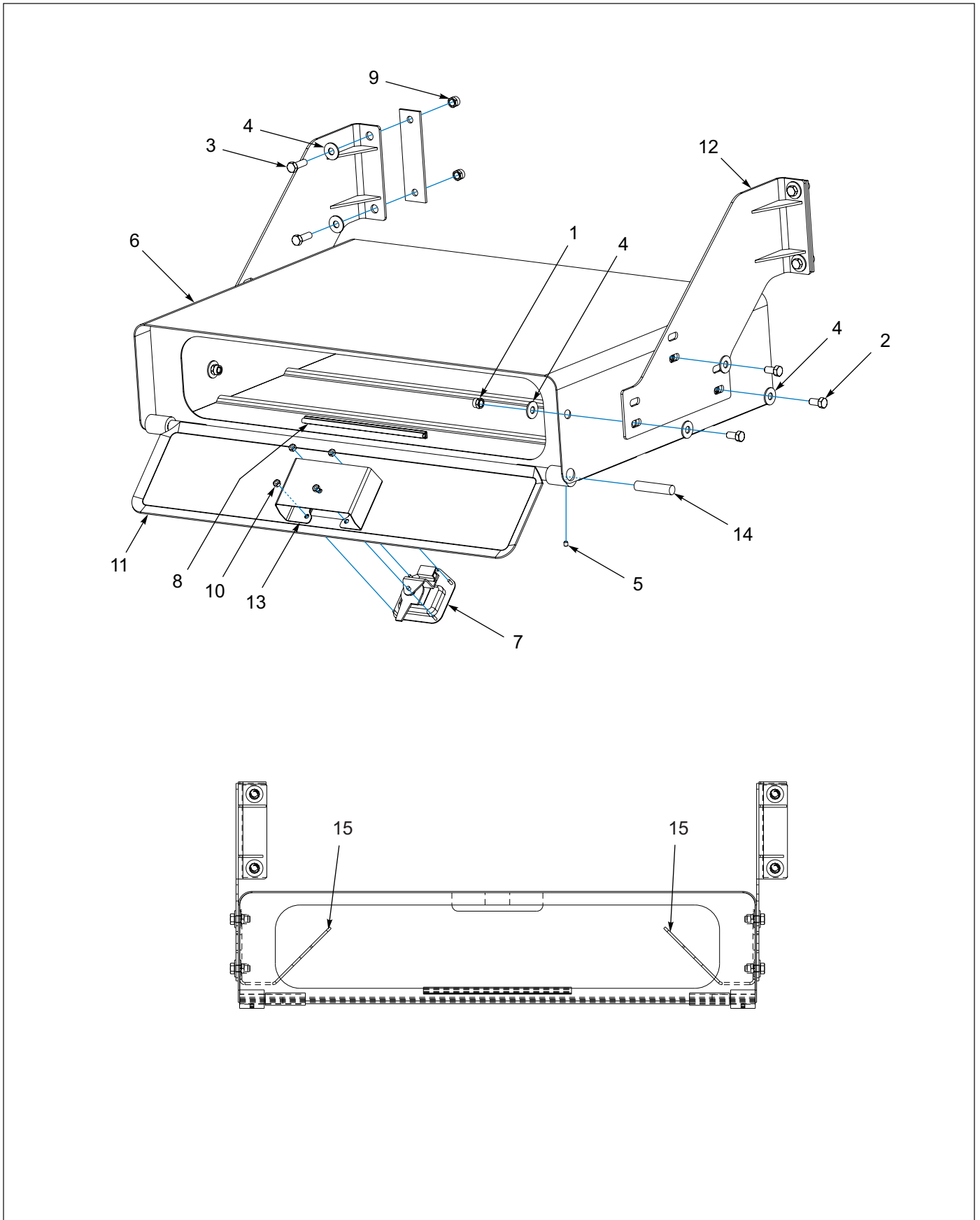


Figure 1-64: Toolbox Installation - Steel Door

Toolbox Installation - Steel Door

ITEM	PART NO.	DESCRIPTION	QTY.
	114807	TOOLBOX INSTL 930 STL DOOR	*
1	1-512-010005-09	NUT, HEX LOCK 1/2-13 GRB	10
2	1-654-010055-02	SCREW, HEX HEAD CAP 1/2-13 X 1 GR5	6
3	1-654-010055-03	SCREW, HEX HEAD CAP 1/2-13 X 1-1/2 GR5	4
4	1-861-010032-15	WASHER, FLAT 1/2W	16
5	107-0975	SCREW, SET LOCK 5/16-18 X 3/8	2
6	114808	TOOLBOX WELDMENT	1
7	114814	LATCH FOLDING T LOCKABLE	1
8	114815	SEAL, SPONGE RUBBER TRIM	7
9	115843	BAR, BACKUP TOOLBOX MOUNTING	2
10	115877	NUT, HEAVY HEX 1/4-20 GR5	4
11	116623	DOOR WELDMENT STEEL TOOLBOX	1
12	117860	BRACKET, WELDMENT TOOLBOX MOUNTING	2
13	153420	TOOLBOX LATCH SHIELD	1
14	RPRB59004X3H	BAR, ROUND 3/4 X 3-1/2 NYLATRON	2
15	178706	TOOLBOX PANEL ORGANIZER ASSEMBLY (ITEM 16)	1
16	178705	TOOLBOX SUPPORT PANEL	2

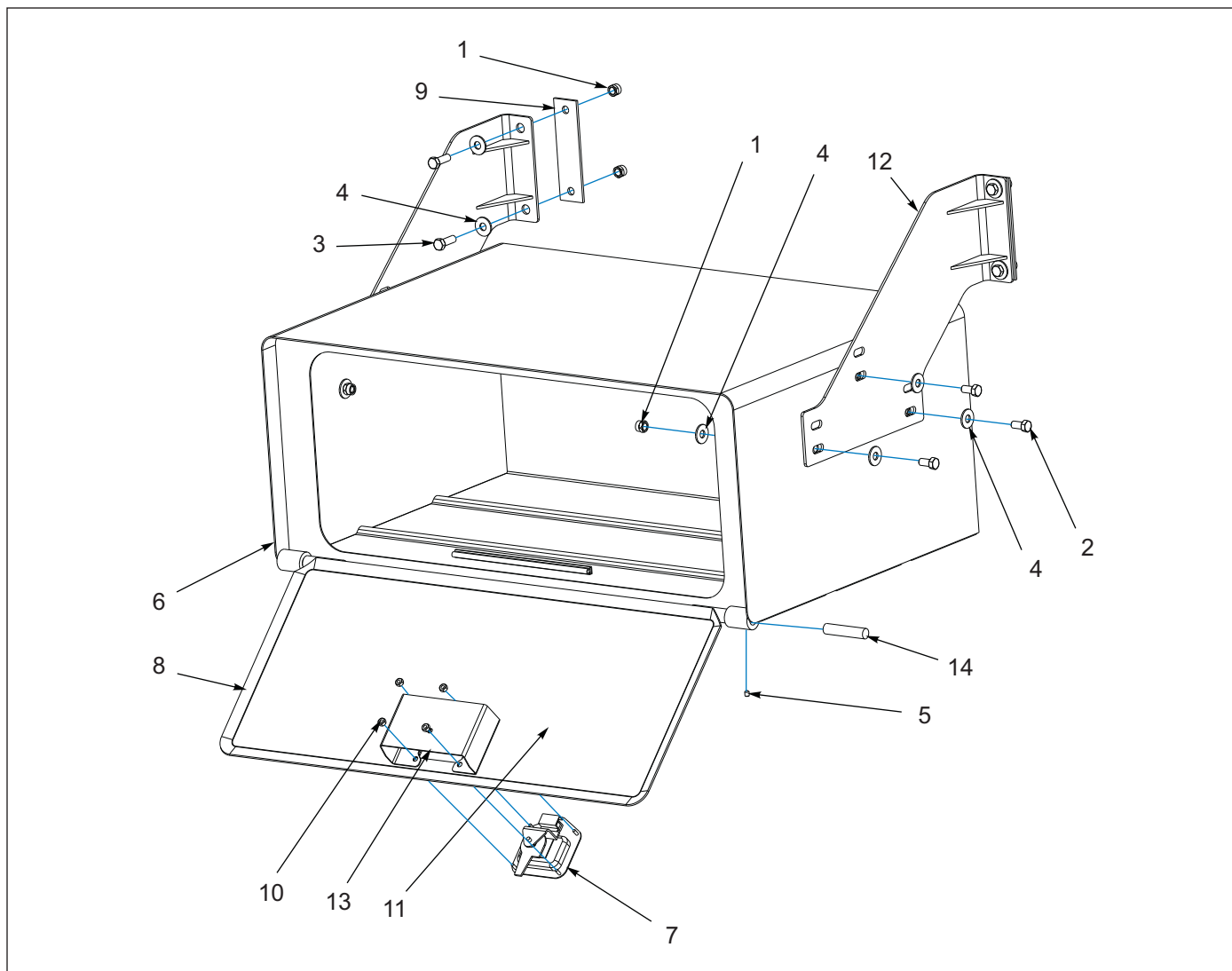


Figure 1-65: Tool Box Installation

Tool Box Installation

ITEM	PART NO.	DESCRIPTION	QTY.
	163540	TOOLBOX INSTALLATION 42 X 28 X 17	
1	1-512-010005-09	NUT, HEX LOCK 1/2-13 GRB	10
2	1-654-010055-01	SCREW, HEX HEAD CAP 1/2-13 X 1 GR5	6
3	1-654-010055-03	SCREW, HEX HEAD CAP 1/2-13 X 1-1/2 GR5	4
4	1-861-010032-15	WASHER, FLAT 1/2W	16
5	107-0975	SCREW, SET LOCK 5/16-18 X 3/8	2
6	163541	TOOLBOX WELDMENT	1
7	114814	LATCH FOLDING T LOCKABLE	1
8	114815	SEAL, SPONGE RUBBER TRIM	7
9	115843	BAR, BACKUP TOOLBOX MOUNTING	2
10	115877	NUT, HEAVY HEX 1/4-20 GR5	4
11	163544	DOOR WELDMENT STEEL 42 X 28 X 17	1
12	117860	BRACKET, WELDMENT TOOLBOX MOUNTING	2
13	153420	TOOLBOX LATCH SHIELD	1
14	RPRB59004X3H	BAR, ROUND 3/4 X 3-1/2 NYLATRON	2

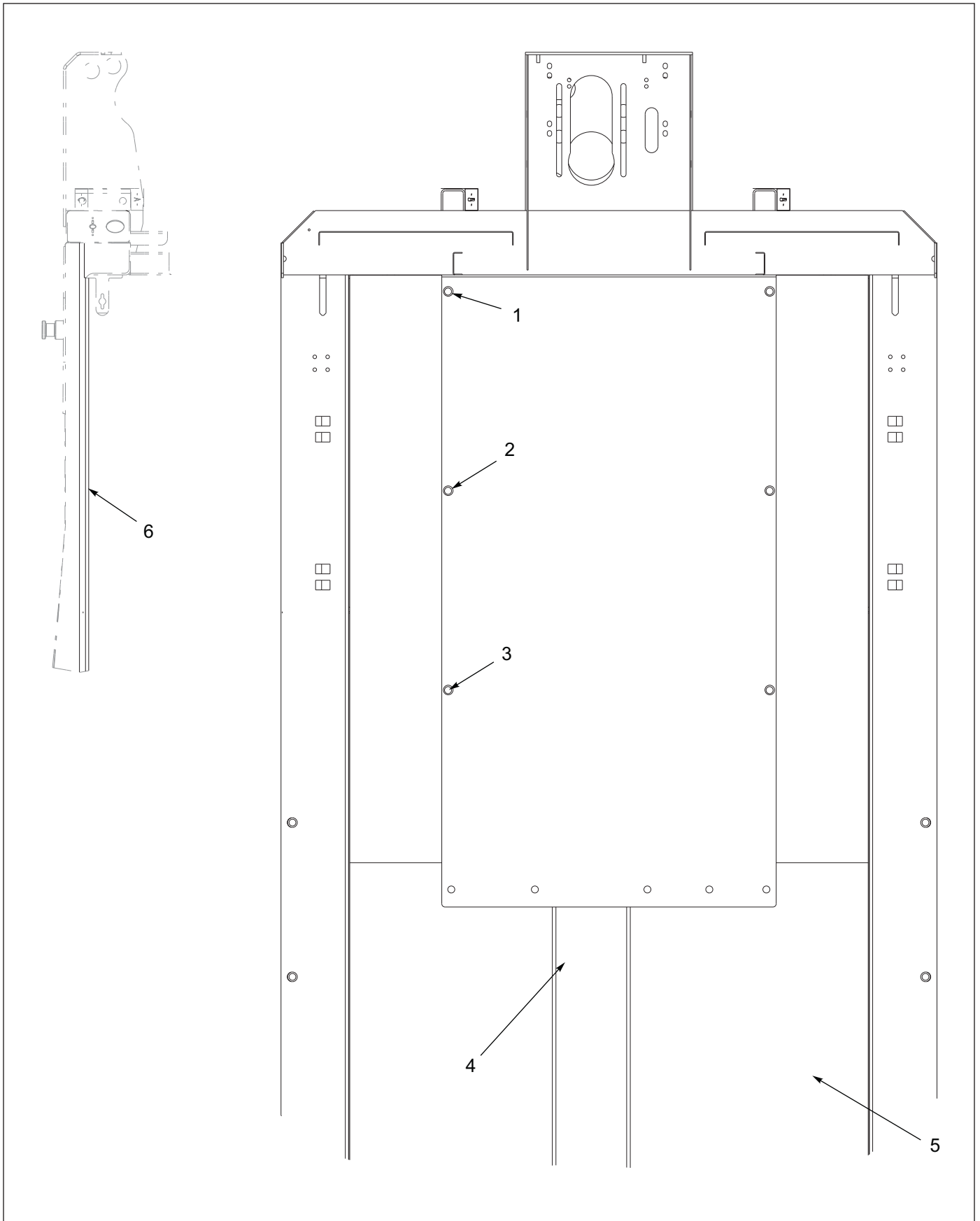


Figure 1-66: Hitch Cover

Hitch Cover

ITEM	PART NO.	DESCRIPTION	QTY.
	199112	HITCH COVER 343 TRL ASSEMBLY	
1	1-512-010005-09	NUT, HEX, SLFLKG, 1/2-13 UNC GRB	11
2	1-654-010070-03	SCREW, RDH, SQ NK, 1/2-13X1-1/2	11
3	1-861-010032-15	WASHER, FLAT, ZP/C 1/2W	11
4	128391	HITCH INSTL 18PIN 340	REF
5	199110	GUIDE 1/2 INSIDE 343 FRONT END	REF
6	199115	HITCH COVER 343 WLDMT	1

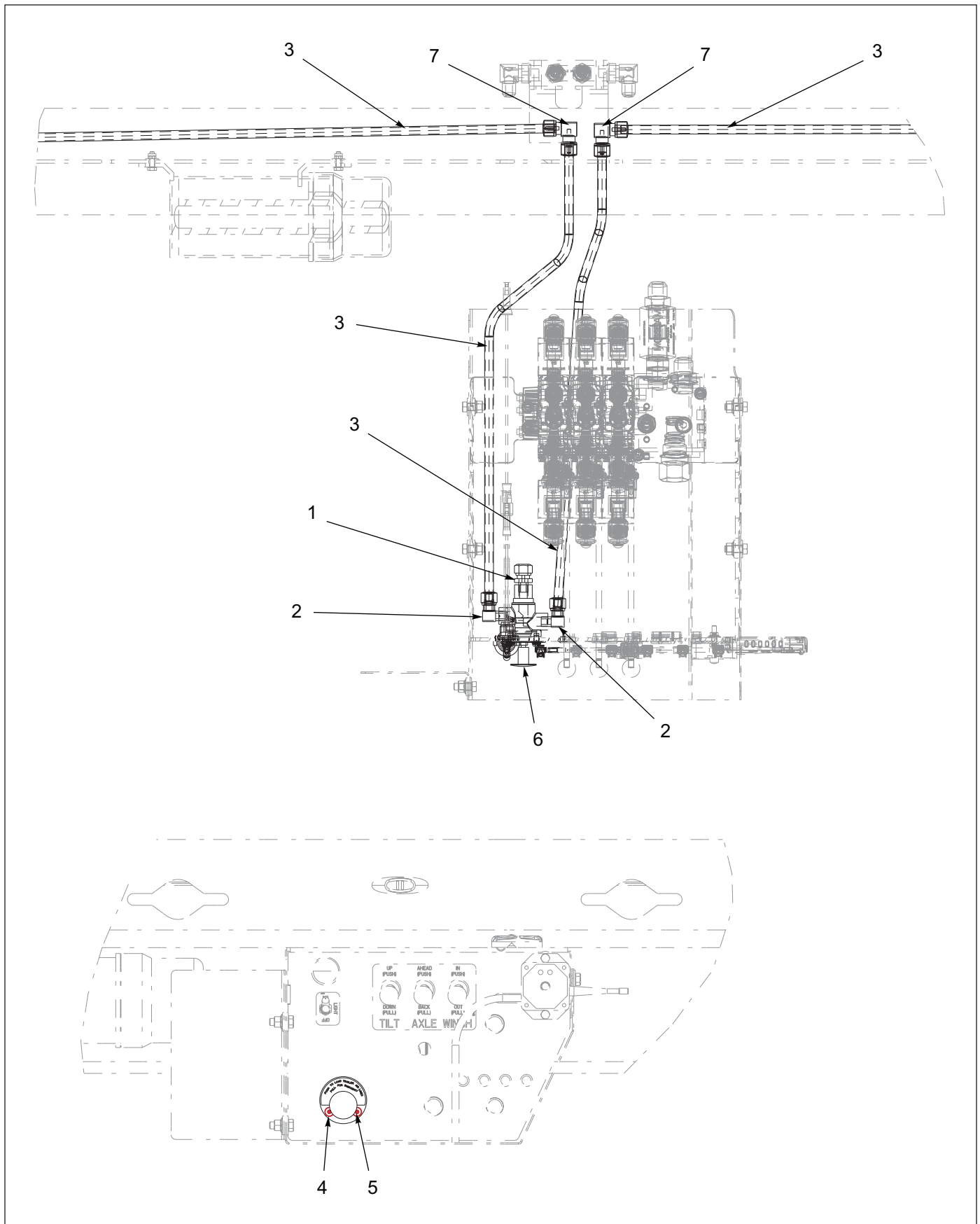


Figure 1-67: Brake Lock - 343A

Brake Lock - 343A

ITEM	PART NO.	DESCRIPTION	QTY.
	208620	BRAKE LOCK 343A TRL	
1	1-297-010007-14	FITTING, AIR 1/2 TUBE X 1/4 NPT	1
2	1-297-010008-22	FITTING, 1/2T-1/4P, AIR 90	2
3	1-833-010003	TUBING, NYLON 1/2 OD	10 FT.
4	1-861-010034-09	WASHER, LKG, HLCL SPR. 1/4	2
5	123578	SCREW, BHSC 1/4-28UNFX1/2	2
6	208619	VALVE, BRAKE LOCK	1
7	208622	FITTING, AIR, UNION 90-1/2T	2

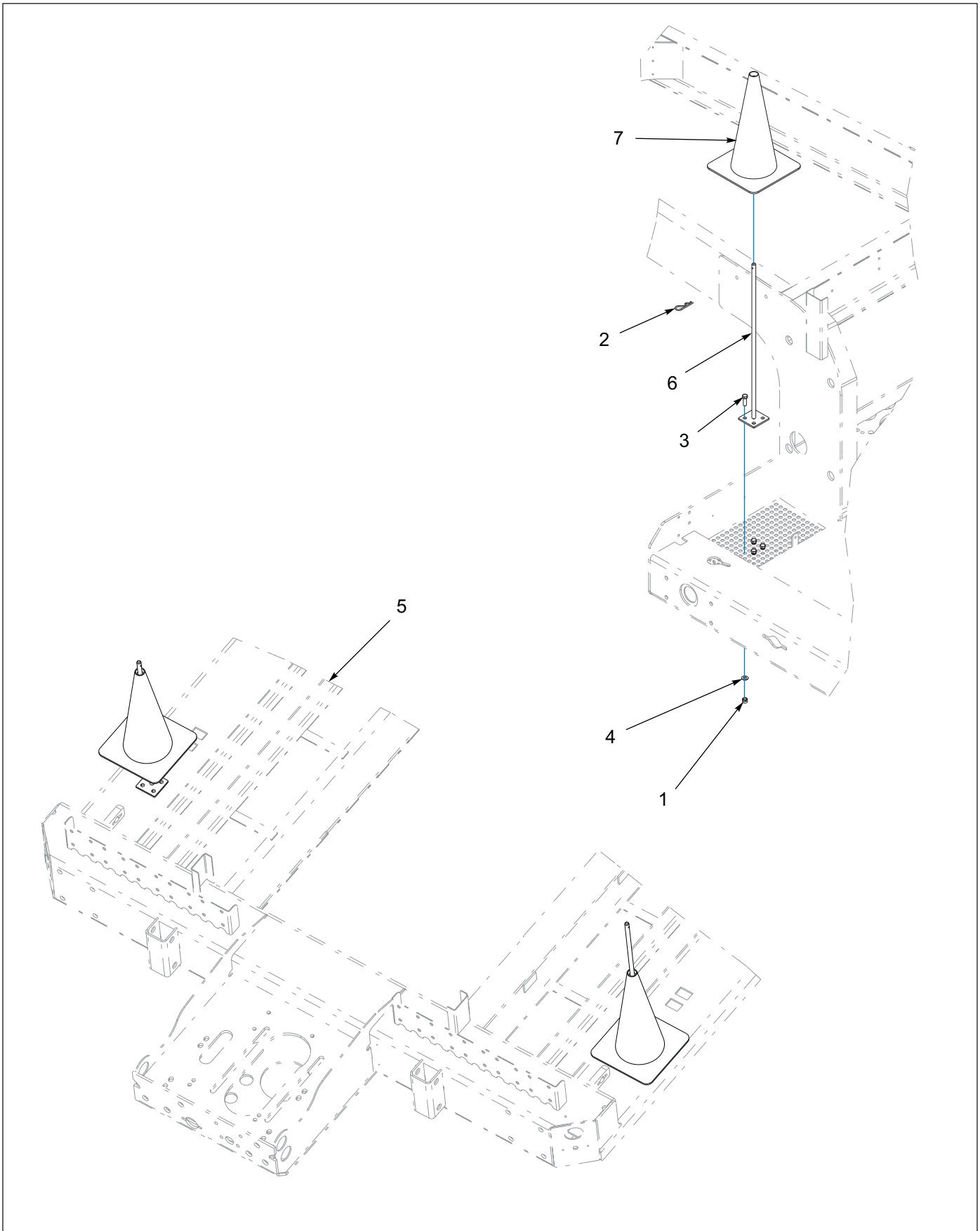


Figure 1-68: Cone Holder Assembly

Cone Holder Assembly

ITEM	PART NO.	DESCRIPTION	QTY.
	187899	CONE HOLDER ASSEMBLY	
1	1-512-010005-09	NUT, HEX, SLFLKG, 1/2-13 UNC GRB	4
2	1-557-010013	HAIR PIN 3/16 DIA	1
3	1-654-010055-03	SCREW, HEX, 1/2-13 X 1-1/2 GR5	4
4	1-861-010032-14	WASHER, FLAT 1/2N	4
5	180913	FRAME WLDMT 343-102-43	REF
6	187898	CONE HOLDER	1
7	187900	TRAFFIC CONE	REF

TABLE OF CONTENTS

Index

Symbols

#242 LOCKTITE 1-25

Numerics

005-074-00 1-39
005-079-00 1-39, 1-41
005-096-00 1-41
005-098-00 1-39, 1-41
005-099-00 1-39, 1-41
006-099-00 1-39, 1-41
006-114-00 1-39, 1-41
006-115-00 1-39, 1-41
007-139-00 1-39, 1-41
010-052-00 1-39, 1-41
014-065-00 1-41
034-031-00 1-39, 1-41
034-032-00 1-39, 1-41
034-048-00 1-39, 1-41
034-057-01 1-41
034-058-07 1-39
040-180-00 1-41
040-320-01 1-39
046-096-00 1-41
046-097-00 1-39, 1-41
056-018-00 1-39, 1-41
069-078-00 1-39, 1-41
071-122-00 1-41
100401 1-45
100402 1-45
100941 1-25
101528 1-27
101847 1-36, 1-39, 1-41
101848 1-36
101849 1-36

101855 1-5
102361 1-33
102363 1-25, 1-33
102364 1-25, 1-33
102732 1-29, 1-30
103055 1-25
103056 1-25
103805 1-39, 1-41
103861 1-36
104034 1-25
104483 1-58
105277 1-85
105408 1-33
105479 1-11, 1-85, 1-92
105480 1-11, 1-85, 1-92
105481 1-11, 1-92
105482 1-11, 1-92
105483 1-11
105822 1-5, 1-9, 1-92
105902 1-92
107-0975 1-101, 1-102
108220 1-99
108417 1-17
108601 1-88
108801 1-11, 1-66, 1-70
108802 1-11
109214 1-25
109533 1-33
109710 1-74
109740 1-70
110-0116 1-77, 1-85
110-0253 1-77, 1-85
110-3494 1-49
110578 1-88
110975 1-45

110976	1-45	116328	1-88
111008	1-33	116330	1-88
111010	1-33	116623	1-101
111011	1-33	117304	1-35
111012	1-33	117860	1-101, 1-102
111013	1-33	117873	1-88
111014	1-33	118-2659-9	1-35
111015	1-33	118897	1-25
111016	1-33	119206	1-88
111017	1-33	119445	1-88
111018	1-33	119553	1-88
111019	1-33	119577	1-88
111021	1-29, 1-30	119580	1-25
111022	1-33	120654	1-88
111023	1-33	120659	1-88
112047	1-45	120660	1-88
112184	1-85	120661	1-88
112492	1-45	120662	1-88
112529	1-91	121396	1-85
113109	1-91	123014	1-88
113388	1-88	123578	1-107
113536	1-45	123882	1-45
113856	1-88	123969	1-9
113883	1-74	124130	1-9
114584	1-36	124132	1-9
114585	1-35	126111	1-99
114586	1-36	126114	1-99
114588	1-36	126117	1-99
114619	1-45	126858	1-49, 1-51
114807	1-101	126888	1-82
114808	1-101	126889	1-82
114814	1-88, 1-101, 1-102	126900	1-33
114815	1-88, 1-101, 1-102	126972	1-10
115601	1-85	126973	1-49
115843	1-101, 1-102	127319	1-61
115877	1-88, 1-101, 1-102	127598	1-49
116100	1-7	127686	1-85
116326	1-88	127708	1-33

127843	1-56, 1-99	1-295-010001	1-88
128199	1-77	1-297-010007-05	1-29, 1-66, 1-70
128210	1-80	1-297-010007-12	1-35
128211	1-80	1-297-010007-14	1-107
128212	1-80	1-297-010007-15	1-66
128323	1-80	1-297-010008-05	1-47
128390	1-80	1-297-010008-07	1-29, 1-47, 1-66, 1-70
128391	1-80, 1-105	1-297-010008-20	1-35
128469	1-99	1-297-010008-22	1-107
128470	1-9	1-297-010008-26	1-35
128472	1-9, 1-66, 1-70	1-297-010010-01	1-29
128480	1-53, 1-82	1-297-010015-09	1-66
128481	1-59	1-297-010017-03	1-35
128483	1-60	1-297-010018-03	1-70
128484	1-60	1-297-010019-05	1-70
128500	1-55, 1-57	1-297-010020-02	1-66
128713	1-49	1-297-010022-02	1-66
128774	1-85	1-297-010034-01	1-88
128781	1-85	1-298-010001-1	1-49, 1-80
128801	1-49	129838	1-85
128802	1-49	129839	1-85
128803	1-49	129938	1-54
128806	1-85	130093	1-62
128809	1-85	130113	1-7
128819	1-77, 1-78	130116	1-5, 1-17, 1-95
128942	1-77, 1-78	130127	1-49
128943	1-77	130346	1-51
128950	1-77	130347	1-51
128951	1-77	130350	1-51
128952	1-77	131256	1-49
128973	1-90	131265	1-9
128974	1-90	1-316-010013	1-88
129006	1-33	131628	1-77, 1-78
129203	1-49	131629	1-77
129209	1-55	132120	1-5
129214	1-49	132121	1-5
129215	1-49	132122	1-5
129217	1-49	1-343-010006	1-95

134657	1-70	143123	1-17
135184	1-5, 1-66, 1-70	143126	1-20
135316	1-53	143163	1-9, 1-11
136991	1-39	143267	1-82
136992	1-39	143268	1-82
137024	1-82	144979	1-39, 1-41
137108	1-45, 1-91	147464	1-36
137461	1-41	149902	1-19
137485	1-41	150076	1-7
138054	1-39	150093	1-17
138209	1-85	150111	1-17, 1-95
1-384-010038038	1-35	150117	1-17, 1-70, 1-95
1-384-010038060	1-35	1-510-010001	1-7, 1-25
1-384-010038204	1-35	1-510-010003-09	1-85
139345	1-49	1-512-010004-03	1-77, 1-85
139383	1-41	1-512-010005-01	1-7, 1-19, 1-29, 1-30, 1-47, 1-99
1-394-010002	1-7	1-512-010005-03	1-17
1-397-010301024	1-9	1-512-010005-05	1-31, 1-35, 1-74, 1-78, 1-88, 1-95
1-397-010301074	1-9	1-512-010005-09	1-7, 1-77, 1-81, 1-85, 1-88, 1-95, 1-96, 1-98, 1-101, 1-102, 1-105, 1-109
1-397-010301090	1-9	1-512-010005-13	1-74
1-397-010301130	1-9	1-512-010005-15	1-25, 1-49, 1-66, 1-80
1-397-010301157	1-9	1-512-010005-19	1-85
1-397-010301208	1-9	1-512-010007-03	1-19, 1-95
1-397-010304018	1-88	1-512-010007-05	1-25
1-397-010305060	1-85	1-512-010007-09	1-33
140829	1-25	1-512-010007-13	1-49
1410792	1-88	153420	1-101, 1-102
141708	1-33	1-557-010013	1-109
142164	1-49	1-557-010362-54	1-7
142545	1-27	1-557-010362-63	1-81
142550	1-45	155780	1-5
142553	1-27	1-560-010002-03	1-35
143100	1-17	1-560-010002-04	1-35, 1-88
143101	1-17	1-560-010002-05	1-35
143102	1-17	156010	1-5
143103	1-17, 1-19, 1-47	156655	1-39
143114	1-17, 1-19	158581	1-13
143121	1-17		

159001	1-41	1-654-010051-16	1-95
159685	1-49	1-654-010055-01	1-49, 1-102
159688	1-49	1-654-010055-02	1-101
162207	1-73	1-654-010055-03	1-81, 1-88, 1-95, 1-101, 1-102, 1-109
162208	1-73	1-654-010055-04	1-96
162210	1-73	1-654-010055-07	1-77, 1-85
162211	1-73	1-654-010055-09	1-85
162213	1-73	1-654-010055-13	1-81
162214	1-73	1-654-010055-18	1-7
162215	1-73	1-654-010059-03	1-49, 1-74
162216	1-73	1-654-010059-04	1-74
162218	1-73	1-654-010061-05	1-80
162219	1-73	1-654-010061-06	1-66
162220	1-73	1-654-010065-15	1-85
162941	1-73	1-654-010070-03	1-105
163540	1-102	1-654-010089-15	1-77, 1-98
163541	1-102	1-654-010158-1	1-19, 1-25
163544	1-102	1-656-010003051	1-19
163996	1-95	1-656-010003053	1-95
164052	1-95	166421	1-66, 1-67
164053	1-70	166730	1-10
164428	1-25, 1-47	166766	1-88
1-647-010004217	1-56, 1-99	167521	1-73
1-647-010004255	1-80	168610	1-47
1-654-010032-05	1-25	168613	1-47
1-654-010032-09	1-25	168648	1-17, 1-20
1-654-010047-04	1-30	168974	1-20
1-654-010047-05	1-7	168975	1-20
1-654-010047-06	1-17, 1-29, 1-47, 1-88	168976	1-20
1-654-010049-03	1-7, 1-45	168979	1-20
1-654-010049-07	1-17	168982	1-20
1-654-010051-05	1-7, 1-35	169359	1-49
1-654-010051-06	1-78, 1-81, 1-88, 1-95	169365	1-11
1-654-010051-08	1-31	169383	1-90
1-654-010051-09	1-88	169394	1-90
1-654-010051-10	1-74	169424	1-25
1-654-010051-11	1-74	169531	1-88
1-654-010051-13	1-25		

169532	1-88	179902	1-95
169853	1-95	179906	1-19
170109	1-88	179955	1-45
170110	1-88	180255	1-56
171210	1-57	180263	1-58
171211	1-57	180264	1-58
171220	1-5	180265	1-58
171221	1-5	180282	1-66
171749	1-78	180570	1-17, 1-19
173860	1-88	180898	1-49
174043	1-70	180907	1-66
174551	1-70	180908	1-66
176473	1-47	180913	1-78, 1-109
177508	1-25	180938	1-85
178388	1-85	1-822-010002	1-85
178428	1-88	182454	1-77
178444	1-7	182455	1-77
178638	1-88	1-833-010001	1-29, 1-47, 1-66, 1-70
178657	1-74	1-833-010002	1-35
178658	1-74	1-833-010003	1-85, 1-107
178663	1-66	183413	1-47
178666	1-97	183637	1-98
178670	1-96	183638	1-98
178676	1-70	183639	1-98
178677	1-59, 1-61	183672	1-49
178678	1-59	184212	1-5
178679	1-61	1-843-010014	1-25, 1-45
178682	1-97	184395	1-25
178683	1-96	184501	1-95
178705	1-101	185059	1-17
178706	1-101	1-861-010032-03	1-95
178715	1-73	1-861-010032-07	1-7, 1-17, 1-25, 1-47
178718	1-73	1-861-010032-08	1-7
178999	1-73	1-861-010032-10	1-35, 1-95
179000	1-73	1-861-010032-11	1-7, 1-25, 1-31, 1-74, 1-78, 1-81, 1-89
179001	1-73	1-861-010032-14	1-96, 1-109
179090	1-88		
1-796-010003-01	1-35		

1-861-010032-15	1-7, 1-49, 1-77, 1-81, 1-85, 1-89, 1-95, 1-98, 1-101, 1-102, 1-105	189281	1-7
1-861-010032-19	1-74	189285	1-13
1-861-010032-21	1-49, 1-66	189292	1-5
1-861-010032-25	1-85	189307	1-88
1-861-010034-07	1-19, 1-25, 1-95	189309	1-5
1-861-010034-09	1-25, 1-89, 1-107	189310	1-5
1-861-010034-10	1-7, 1-45	189311	1-5
1-861-010034-11	1-78, 1-81	189316	1-25
1-861-010034-13	1-33, 1-49, 1-66, 1-77	189370	1-88
1-861-010034-15	1-49, 1-70	190700ZP	1-25
1-861-010034-17	1-58	190701	1-25
1-861-010059-21	1-9	190705ZP	1-25
186811	1-88	190706	1-25
186875	1-13	191569	1-17
186882	1-17	191847	1-14
186885	1-13	191848	1-14
186902	1-13	191849	1-13, 1-14
186931	1-43	191850	1-13, 1-14
186932	1-43	193400	1-14
187833	1-17	193401	1-14
187855	1-17	193402	1-14
187857	1-17	193442	1-14
187858	1-17	193443	1-14
187859	1-19	193444	1-14
187860	1-19, 1-95	193445	1-14
187863	1-17, 1-95	193446	1-14
187864	1-17, 1-19, 1-95	193447	1-14
187868	1-17, 1-95	193904	1-88
187895	1-5	194117	1-67
187898	1-109	194118	1-67
187899	1-109	194119	1-67
187900	1-109	194120	1-67
187963	1-52	194121	1-67
187965	1-52	194122	1-67
188282	1-77	194123	1-67
189278	1-7	194124	1-67
189280	1-7	194305	1-67
		194306	1-67

194307	1-67	199799	1-95
194308	1-67	199800	1-95
194309	1-67	199801	1-95
194310	1-67	200408	1-7
194407	1-17	200409	1-7
194439	1-7, 1-9, 1-13, 1-66, 1-70	201030	1-47
194454	1-5, 1-7	201034	1-25, 1-35, 1-47
194455	1-7	201037	1-25, 1-35, 1-47
196165	1-5	201642	1-73
196167	1-5	201643	1-73
196168	1-5	201644	1-73
196169	1-5	201645	1-73
196170	1-5	201650	1-73
196172	1-5	202094	1-27
196173	1-5	202099	1-27
196180	1-5	202103	1-27
196222	1-5	202106	1-27
196225	1-5	202111	1-27
196576	1-25, 1-35	202190	1-14
196578	1-25, 1-35	202207	1-47
196579	1-7	202225	1-88
196581	1-9, 1-17	202226	1-88
196583	1-9, 1-17	2024-12-12S	1-89
196585	1-9, 1-17	202430	1-13, 1-14
196588	1-7, 1-9	202578	1-5
197441	1-7	202702-10-8S	1-13, 1-49, 1-66, 1-70
197447	1-7	202702-12-12S	1-13, 1-85
197450	1-9	202702-8-8S	1-9
197460	1-20	203102-12-12S	1-11, 1-89
197613	1-47	2033-8-8S	1-9
199104	1-73	204124	1-13
199108	1-78	204189	1-14
199109	1-78	204955	1-25
199110	1-105	205836	1-47
199112	1-105	205837	1-47
199115	1-105	206209-8-8S	1-9
199791	1-95	2062-12-12S	1-89
199792	1-95	2071-8-8S	1-13, 1-66, 1-70

2083-8-4S	1-29, 1-47	216582	1-51
2083-8-8S	1-35	216583	1-51
208390	1-14	216584	1-51
208391	1-14	216585	1-51
208392	1-14	216586	1-51
208619	1-107	216587	1-51
208620	1-107	216588	1-51
208622	1-107	216589	1-51
2089-6-6S	1-35	216599	1-27
209878	1-88	216600	1-27
210292-12S	1-11	216601	1-7, 1-9
212381	1-39	2-181-010001	1-25
212421	1-41	2216-12-12S	1-92
213120	1-66, 1-67	2240-12-12S	1-89
213333	1-47	2481X	1-89
216559	1-51	3-054-010101	1-81
216560	1-51	3067	1-45
216561	1-51	3-076-010005	1-25, 1-27
216562	1-51	3-120-010124	1-89
216563	1-51	3-141-010008	1-81
216564	1-51	3-141-010121-2	1-81
216565	1-51	3-141-010152	1-81
216566	1-51	3-141-010155	1-81
216567	1-51	3-155-010012	1-89
216568	1-51	3-155-010017-4	1-66
216569	1-51	3-155-010018-6	1-70
216570	1-51	3-162-010001	1-89
216571	1-51	3-174-010038	1-53, 1-66, 1-70
216572	1-51	3-174-010039	1-53, 1-54, 1-55
216573	1-51	3-174-010039036	1-70
216574	1-51	3-174-010042	1-90
216575	1-51	3-181-010034-3	1-85
216576	1-51	3-182-010028	1-89
216577	1-51	3-201-010002	1-9
216578	1-51	3-242-010185	1-7, 1-9
216579	1-51	3-316-010008	1-89
216580	1-51	3-368-010252	1-17, 1-70, 1-95
216581	1-51	3-443-010018	1-77, 1-78, 1-85

346SL 1-52

3-485-010001 1-25

3-557-010031 1-7

3-557-010032 1-7

3-557-010182 1-7

3-573-010031 1-25

3-573-010038 1-5

3-573-010134 1-5

3-573-010210 1-5

3-573-010377 1-5, 1-25

3-573-010378 1-81

3-573-010506 1-85, 1-89

3-659-010012 1-45

3-711-010025 1-81

3-762-010016 1-25

3-762-010017 1-25

3-780-010002 1-25, 1-29, 1-31, 1-35

3-829-010327 1-52

3-829-010329 1-52

3-829-010330 1-52

3-870-010097 1-45

3-870-010104 1-45

3-870-010106 1-45

3-870-010107 1-45

3-870-010116 1-45

4009 1-45

43029 1-19

514-9045-26 1-89

514-9073-18 1-89

516-22PTL 1-97

55B61 1-11, 1-70

55B61-6 1-11

55B61-7 1-11

56D4 1-35

61258 1-49

622-2967-010 1-20

622-2967-015 1-20

622-2967-026 1-20

622-3511-008 1-25

63680 1-45

6-557-010163 1-81

758-181 1-35

7HCGHT500 1-54, 1-55, 1-66, 1-70, 1-82

805-2 1-31

81264 1-17, 1-70, 1-95

900-08-139 1-33

900-44-207 1-5

900 45 040 1-33

900 54 007 1-29

900-54-007 1-30

900598-12S 1-89

90508009 1-33

905-54-107 1-29, 1-30, 1-66, 1-70

905-57-129 1-33

934 00 149 1-33

934-00-492 1-33

934-00-506 1-33

936 00 077 1-33

B

B7-141-003 1-81

H

HM212011 1-45

HM212049 1-45

HM218210 1-45

HM218248 1-45

K

K71-136-00 1-41

K71-460-00 1-39

R

RPRB59004X3H 1-101, 1-102

T

TR545D 1-45

TR573 1-45



Intertek

Equipment from Landoll Corporation is built to exacting standards ensured by ISO 9001 registration at all Landoll manufacturing facilities.

343A Semitrailer Parts Manual

Re-Order Part Number F-1015-1118

LANDOLL CORPORATION

1900 North Street

Marysville, Kansas 66508

(785) 562-5381

800-428-5655 ~ **WWW.LANDOLL.COM**



Copyright 2019. Landoll Corporation

“All rights reserved, including the right to reproduce this material or portions thereof in any form.”