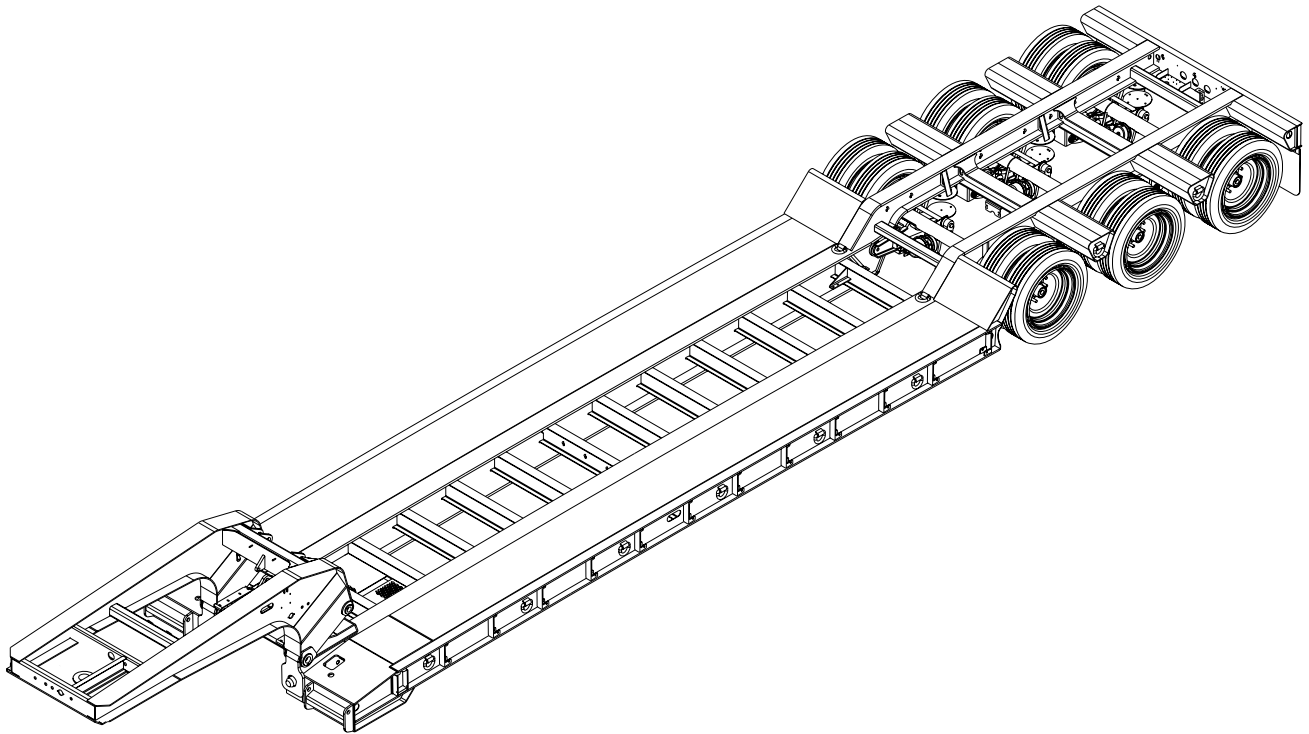




**MODEL 325C/326C/327C/329C
SEMITRAILER
PARTS MANUAL**



**1900 North Street
Marysville, KS 66508
(785)562-5381**

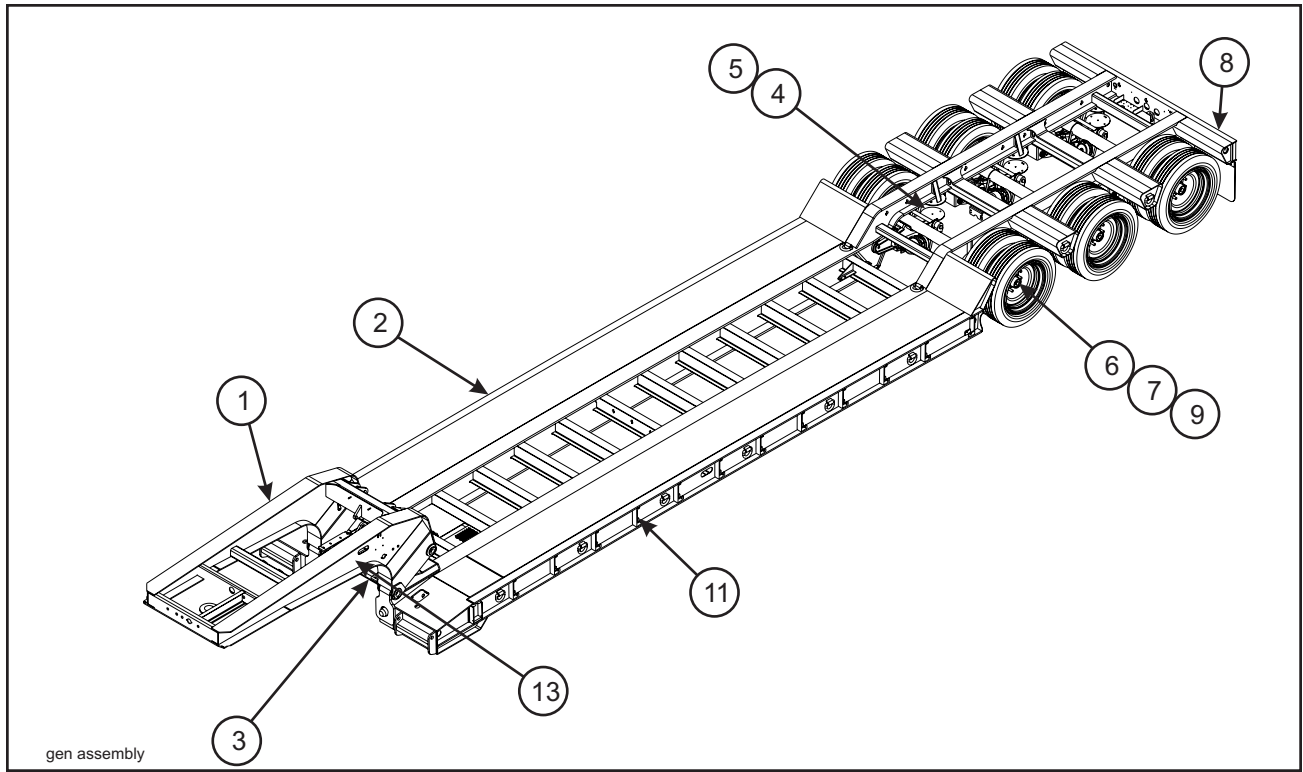
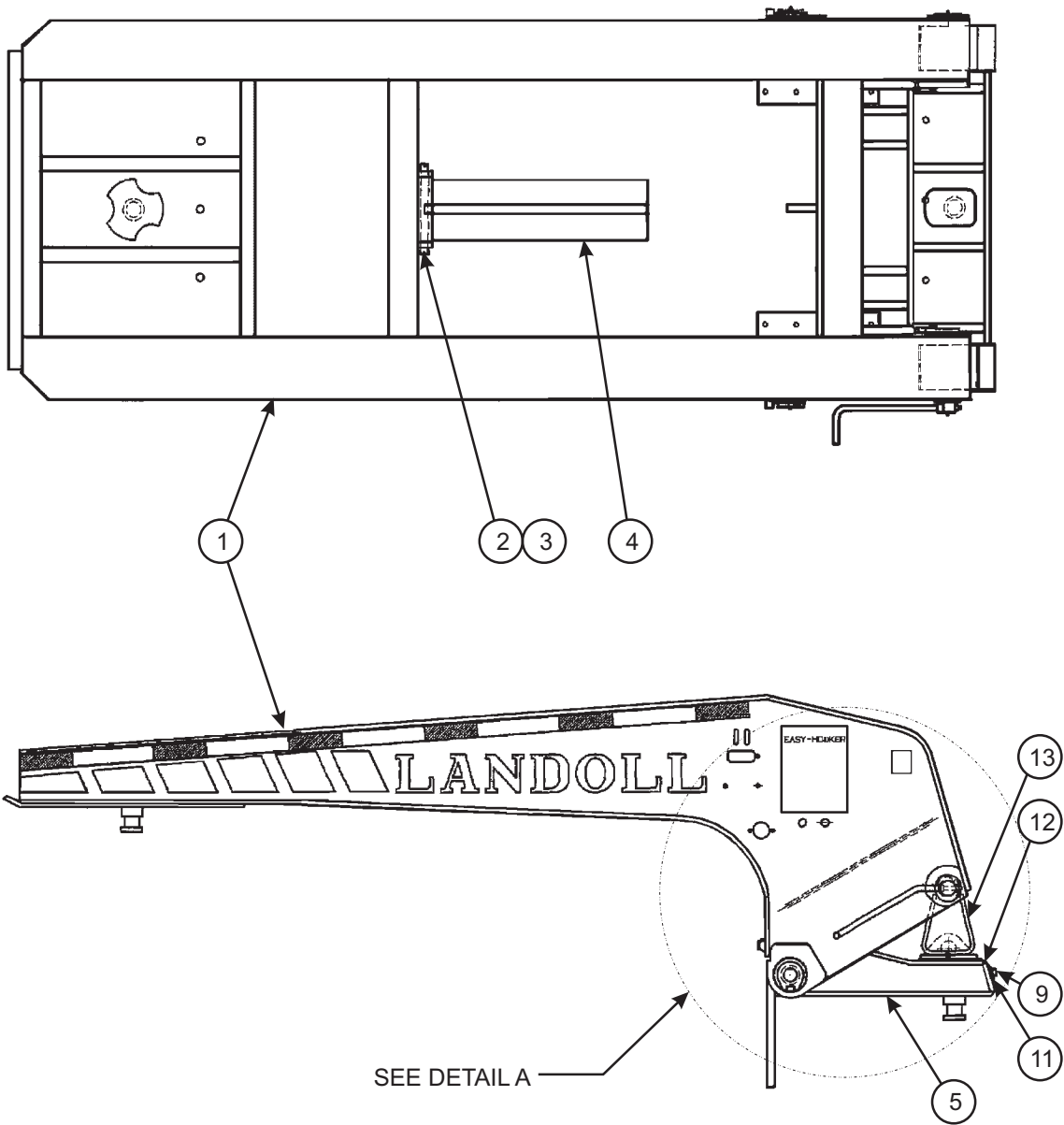


Figure 1-1 General Assembly

GENERAL ASSEMBLY

ITEM	PAGE/PART NO.	DESCRIPTION	QTY.
1	1-2 - 1-19	GOOSENECK ASSEMBLIES	
2	1-20 - 1-29	FRAME AND GREASE ASSEMBLIES	
3	1-30 - 1-31	LOCK ASSEMBLY	
4	1-32 - 1-41	AIR RIDE PLUMBING INSTALLATIONS	
5	1-42 - 1-49	SUSPENSION ASSEMBLIES	
6	1-50 - 1-51	AXLE AND BRAKE ASSEMBLY	
7	1-52 - 1-53	HUB AND DRUM ASSEMBLY	
8	1-54 - 1-57	ELECTRICAL ASSEMBLIES	
9	1-58 - 1-65	AIR BRAKE SYSTEM ASSEMBLIES	
10	1-66 - 1-67	BOOM TROUGH COVER INSTALLATION (NOT SHOWN)	
11	1-68 - 1-69	SWING-OUT OUTRIGGER INSTALLATION	
12	1-70 - 1-71	RAMP INSTALLATION (NOT SHOWN)	
13	1-72 - 1-73	DECAL INSTALLATION	
14	1-74 - 1-106	MISCELLANEOUS OPTION (NOT SHOWN)	
15	B3-872-012	WHEEL COVER (NOT SHOWN)	



3m336-010033 p1

Figure 1-2 Gooseneck Assembly
(1 of 5)

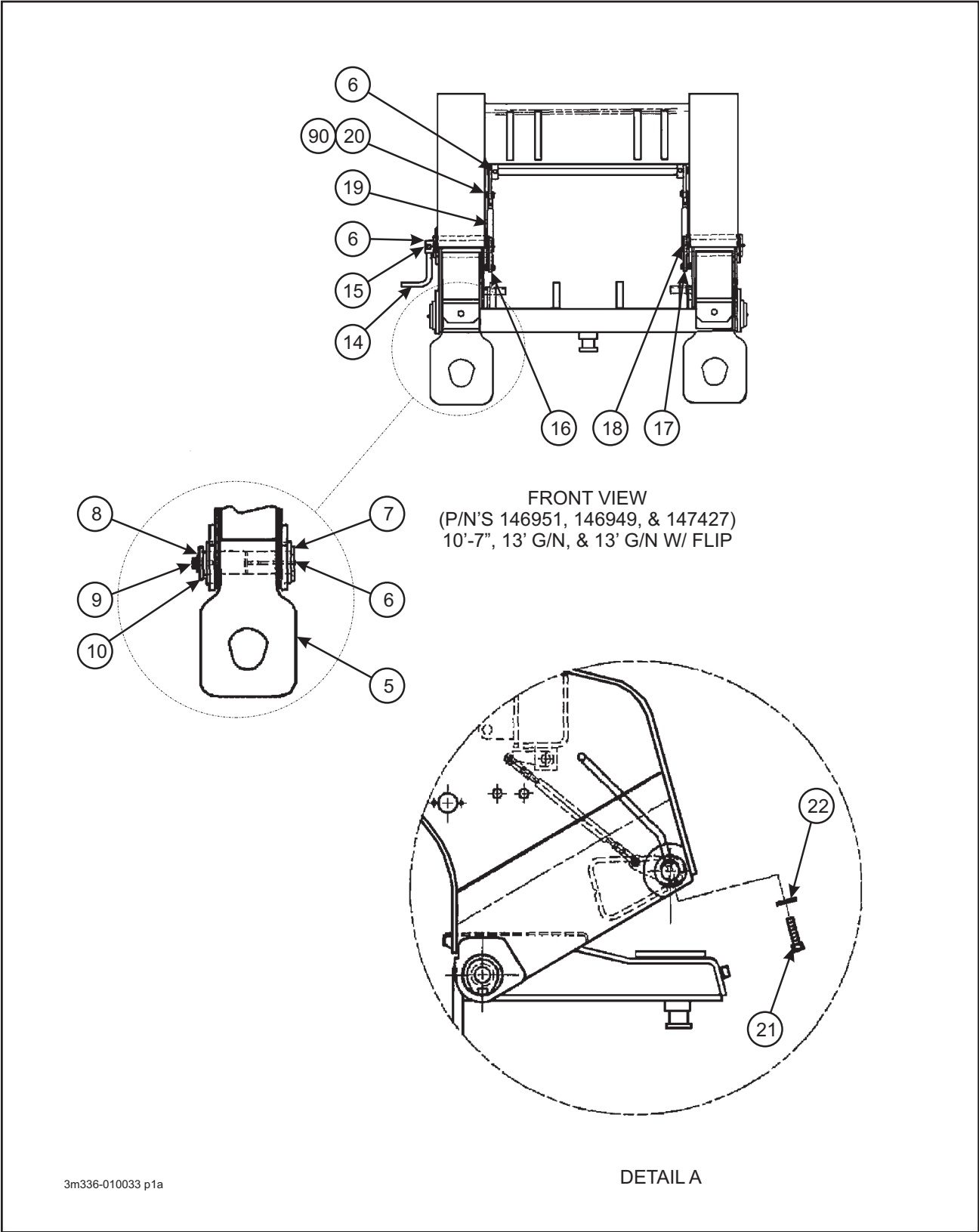
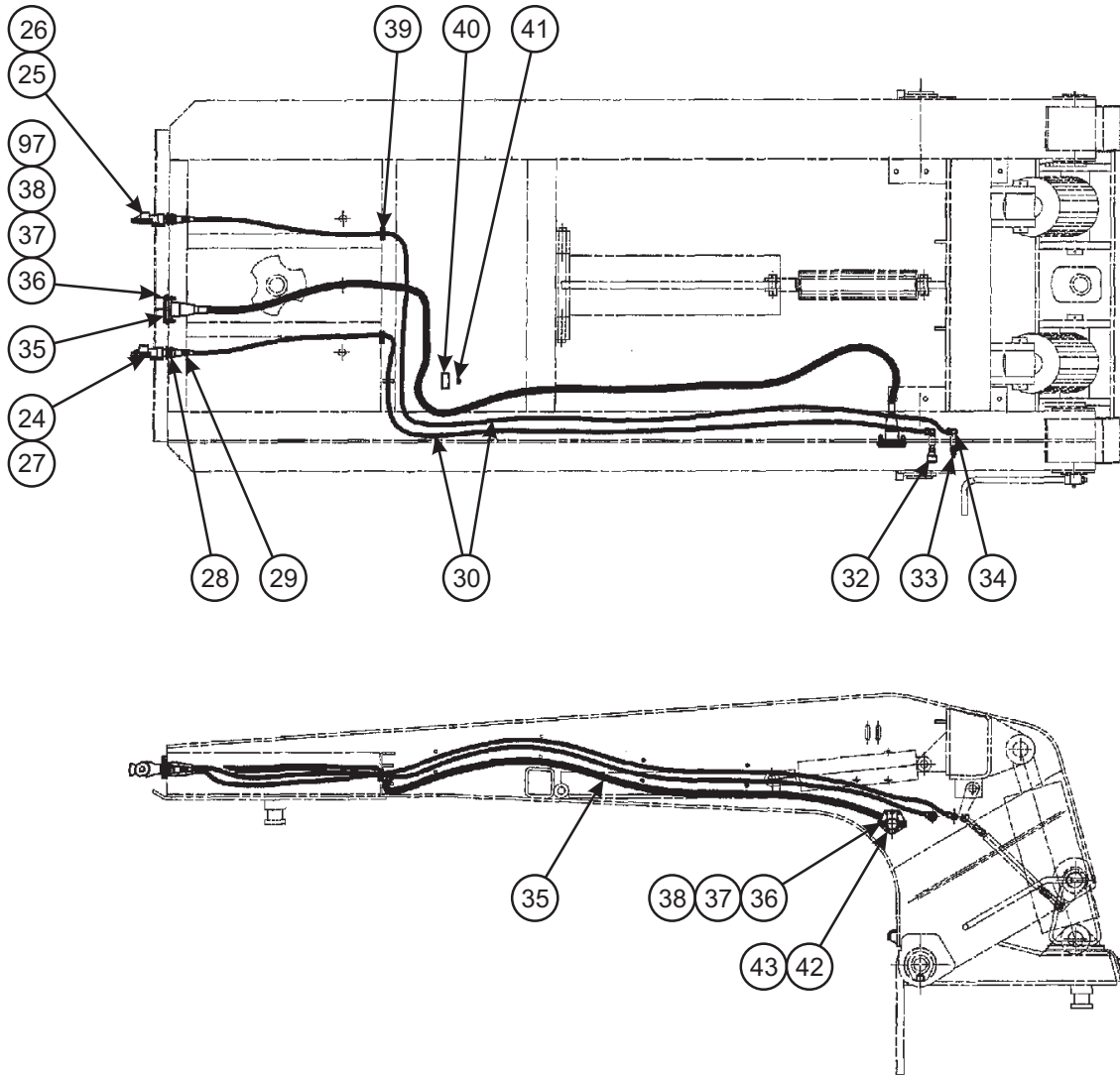
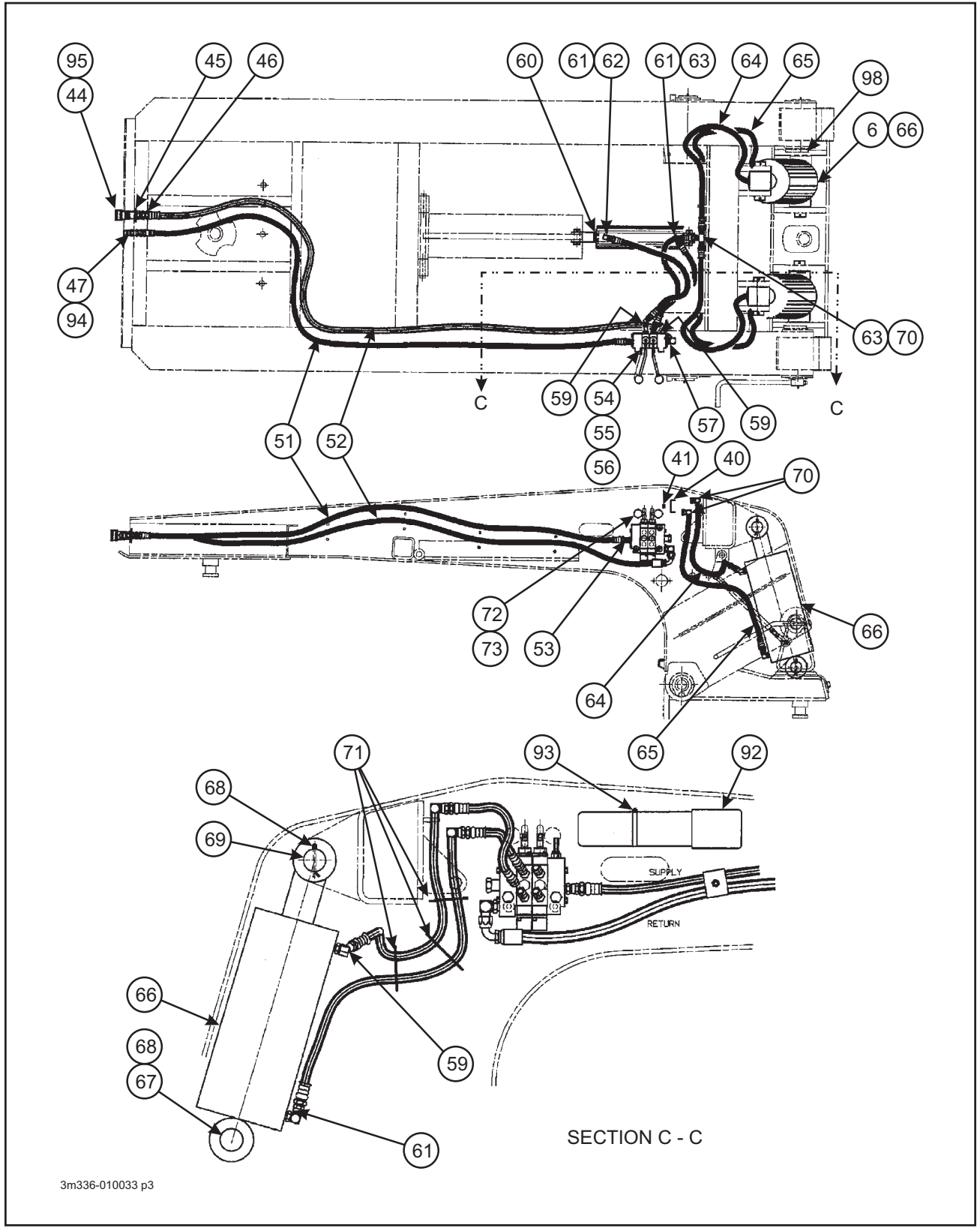


Figure 1-3 Gooseneck Assembly
(2 of 5)



3m336-010033 p2

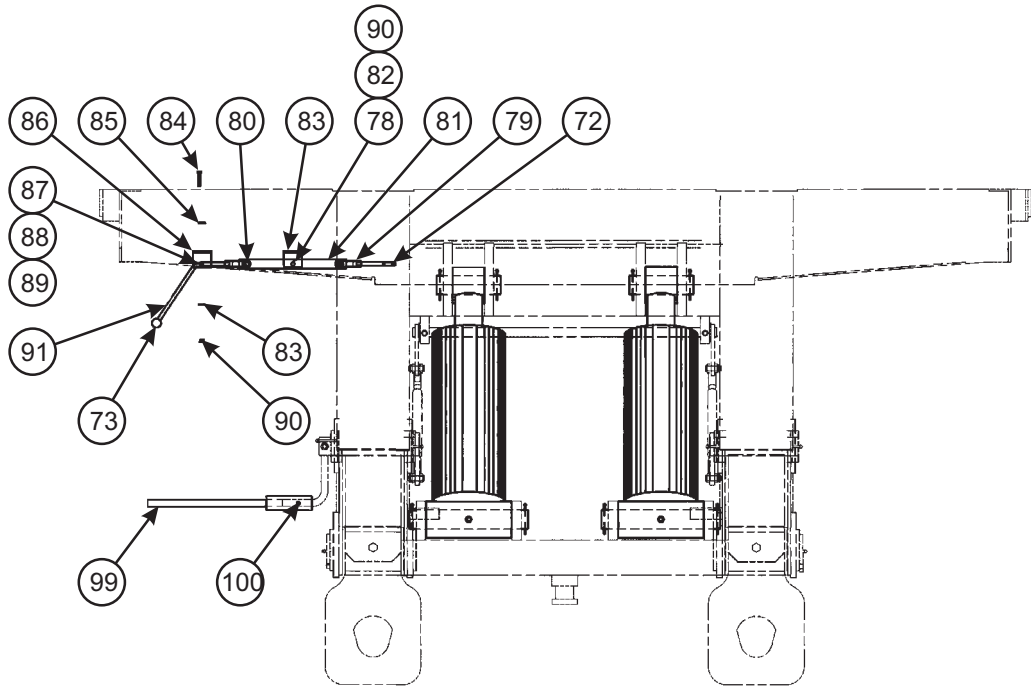
Figure 1-4 Gooseneck Assembly
(3 of 5)



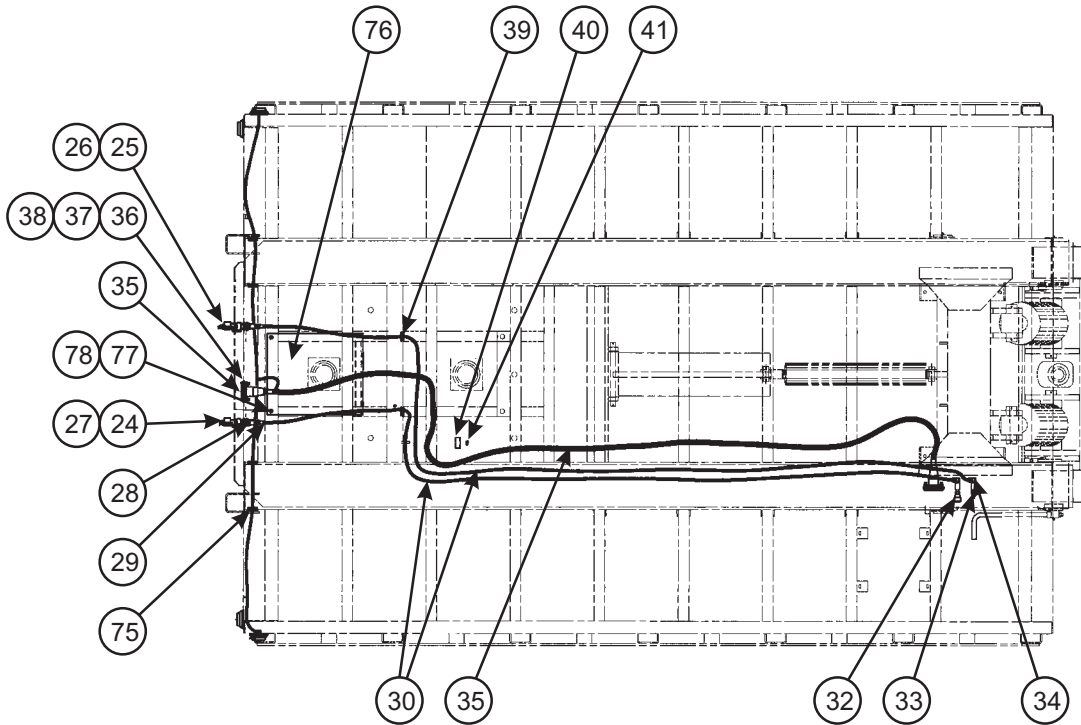
3m336-010033 p3

SECTION C - C

Figure 1-5 Gooseneck Assembly
(4 of 5)



FRONT VIEW (P/N 147962)
13' GOOSENECK W/ BED



TOP VIEW (P/N 147962)
13' GOOSENECK W/ BED

m147962

Figure 1-6 Gooseneck Assembly
(5 of 5)

GOOSENECK ASSEMBLY

ITEM	PART NO.	DESCRIPTION
	146951	GOOSENECK ASSEMBLY 10'-7" (326C)
	147962	GOOSENECK ASSEMBLY 13' (325C)
	146949	GOOSENECK ASSEMBLY 13' W/ BED (327C)
	147427	GOOSENECK ASSEMBLY 13' W/ FLIP (329C)
1	3-336-010012	GOOSENECK WELDMENT (146951)
	3-336-010061	GOOSENECK WELDMENT (147962)
	3-336-010046	GOOSENECK WELDMENT (146949)
	3-336-010039	GOOSENECK WELDMENT (147427)
2	3-557-010268	PIN, LIFT ARM DETACH
3	1-557-010362-63	COTTER PIN, 1/4 X 2
4	3-311-013428	NECK LIFT ARM ASSEMBLY
5	3-164-010003	CARRIER LOAD 102 (146951)
	3-164-010006	CARRIER LOAD 102 (147962 & 146949)
	3-164-010011	CARRIER LOAD (147427)
6	1-298-010001-1	ZERK FITTING 1/4
7	3-311-013451	PIN END WELDMENT (146951, 147962, & 146949)
	3-557-010386	PIN WELDMENT, LOAD BEAM (147427)
8	1-861-010034-13	WASHER, SPLIT LOCK 1/2
9	1-654-010055-01	SCREW, HEX HEAD CAP 1/2-13 X 1 GR5
10	3-311-013452	PLATE, LOAD BEAM PIN CAP (146951, 147962, & 146949)
	3-861-010037	WASHER, 3-1/2 X 11/16 X 3/8 (147427)
11	1-861-010032-15	WASHER, FLAT 1/2W
12	3-711-010006	SPACER WLDMT, LOAD BLOCK (146951, 147962, & 146949)
	3-711-010054	SPACER WELDMENT, LOAD BLOCK (147427)
13	3-311-015042	LOAD BLOCK WELDMENT
14	3-360-010030	HANDLE WELDMENT LOAD BLOCK TRIP
15	1-512-010005-09	NUT, HEX LOCK 1/2-13 GRB
16	3-557-010237	PIN WELDMENT, LOAD BLOCK MOUNT LH
17	3-557-010236	PIN WELDMENT, LOAD BLOCK MOUNT RH
18	5210	FITTING, GREASE 1/4-28 X 45
19	3-642-010049	ROD ASSEMBLY, LOAD BLOCK ADJUST
20	3-557-010239	PIN, ASSEMBLY, YOKE
21	1-654-010059-09	SCREW, HEX HEAD CAP 5/8-11 X 3 GR5
22	1-861-010034-15	WASHER, SPLIT LOCK 5/8
23	1-654-010059-01	SCREW, HEX HEAD CAP 5/8-11 X 1 GR5 (147427)
24	108801	GLADHAND RED AIR
25	108802	GLADHAND BLUE AIR
26	55B61-7	TAG SERVICE LINE
27	55B61-6	TAG EMER LINE
28	55B61	FRAME UNION
29	1-297-010007-11	FITTING AIR
30	1-833-010002	NYLON TUBING 3/8
32	3-220-010005	COUPLER, NIPPLE MALE 3/8-18
33	3-220-010004	COUPLER, MALE 3/8-18
34	1-297-010008-20	FITTING AIR 90
35	3-156-010026	CABLE ASSEMBLY, 13' G/N
36	1-654-010049-06	SCREW, HEX HEAD CAP 5/16-18 X 1-1/4
37	1-861-010034-07	WASHER, SPLIT LOCK #10 (147962)

GOOSENECK ASSEMBLY

ITEM	PART NO.	DESCRIPTION
	1-861-010034-10	WASHER, SPLIT LOCK 5/16 (146951, 147427, & 146949)
38	1-512-010007-06	NUT, HEX 5/16-18 GRB
39	1-343-010006	GROMMET
40	2-181-010001	CLAMP
41	1-512-010005-05	NUT HEX LOCK 3/8-16 GRB
42	59S-7	7 PIN RECEPTACLE
43	59W-2-3	RUBBER BOOT
44	105480	COUPLER FLAT FACE FEMALE BODY
45	1-861-010059-21	WASHER, LOCKING INTERNAL TOOTH
46	105483	ADAPTER BULKHEAD
47	105479	COUPLER FLAT FACE MALE NOSE
49	1-656-010003051	SCREW, RD HEAD MACH #10-24 X 3/4 (146951) (NOT SHOWN)
50	1-512-010007-03	NUT, HEX 10-24 (NOT SHOWN) (146951)
51	1-397-010306108	HOSE ASSEMBLY 1/2 X 108 (146951)
	1-397-010306136	HOSE ASSEMBLY 1/2 X 136 (147962, 147427, & 146949)
52	116536	HOSE ASSEMBLY 3/4 X 120 (146951)
	1-397-010305145	HOSE ASSEMBLY 3/4 X 145 (147962, 147427, & 146949)
53	202702-8-8S	ADAPTER
54	3-846-010041	VALVE 2 SPOOL (SEE PAGE 1-11)
55	1-654-010051-05	SCREW, HEX HEAD CAP 3/8-16 X 1 GR5
56	1-861-010034-11	WASHER, SPLIT LOCK 3/8
57	2062-10-12S	ADAPTER, 90
58	1-861-010034-07	WASHER, SPLIT LOCK #10 (146951)
59	2061-8-8S	ADAPTER 45
60	1-242-010048	CYLINDER, TIE ROD 4 X 10 (SEE PAGE 1-12) (146951)
	1-242-010179-3	CYLINDER, HYD 4 X 16 (SEE PAGE 1-13) (147962, 147427, & 146949)
61	2062-8-8S	ADAPTER 90
62	1-397-010301030	HOSE ASSEMBLY 1/2 X 30
63	1-397-010301024	HOSE ASSEMBLY 1/2 X 24 (146951)
	1-397-010301032	HOSE ASSEMBLY 1/2 X 32 (147962, 147427, & 146949)
64	1-397-010301040	HOSE ASSEMBLY 1/2 X 40
65	1-397-010301051	HOSE ASSEMBLY 1/2 X 51
66	2-242-010084	CYLINDER HYDRAULIC 8 X 8 (SEE PAGES 1-14 & 1-15) (146951)
	3-242-010096	CYLINDER HYDRAULIC 9 X 8 (SEE PAGES 1-16 & 1-17) (147962 & 146949)
	3-242-010097	CYLINDER HYDRAULIC 10 X 8 (SEE PAGES 1-18 & 1-19) (147427)
67	3-557-010170	ROD, BOTTOM CYLINDER MOUNT (146951)
	3-557-010206	PIN, BOTTOM CYLINDER MOUNT (147962, 147427, & 146949)
68	1/4 X 3	COTTER PIN
69	3-557-010169	PIN, ROD END
70	2033-8-8S	ADAPTER TEE
71	1-796-010003-02	TIE, STRAP PLASTIC
72	3-360-010031	HANDLE, HYD VALVE (146951, 147427, & 146949)
	3-360-010033	HANDLE WELDMENT, LOAD BLOCK TRIP (147962)

GOOSENECK ASSEMBLY

ITEM	PART NO.	DESCRIPTION
73	95	BALL, KNOB 3/8-24 X 1/2
74	1-861-010032-03	WASHER, FLAT #10
75	1-343-010007	GROMMET (147962)
76	3-222-010220	COVER WELDMENT (147962)
77	1-654-010051-09	SCREW, HEX HEAD CAP 3/8-16 X 2 GR5 (147962)
78	1-861-010032-11	WASHER, FLAT 3/8W (147962)
79	3-885-010004	YOKE, END ADJUST RH (147962)
80	3-557-010253	PIN ASSEMBLY, YOKE 3/8 (147962)
81	3-120-010194	PIVOT BAR, VALVE HANDLE (147962)
82	3-557-010252	PIN, PIVOT BAR (147962)
83	3-120-010191	BRACKET WELDMENT, VALVE HANDLE (147962)
84	1-654-010047-08	SCREW, HEX HEAD CAP 1/4-20 X 1 GR5 (147962)
85	1-861-010032-07	WASHER, FLAT 1/4(147962)
86	3-120-010192	BRACKET WELDMENT, VALVE HANDLE (147962)
87	3-557-010251	PIN, VALVE HANDLE (147962)
88	1-861-010032-04	WASHER, FLAT 3/16 (147962)
89	110-0361	COTTER PIN 1/16 X 1 (147962)
90	101386	COTTER PIN 1/8 X 1
91	3-360-010034	HANDLE, HYDRAULIC VALVE (147962)
92	130511	TUBE ASSEMBLY, MANUAL STORAGE
93	105-0094	HOSE CLAMP, 4-1/8 - 5
94	105481	COUPLER DUST CAP MALE
95	105482	COUPLER DUST CAP FEMALE
97	1-861-010032-09	WASHER, FLAT 5/16W
98	3-711-010016	SPACER, CYLINDER (3-036-010034-5 AND -6)
99	1-512-010005-01	NUT, HEX LOCK 1/4-20 GRB (147962)
100	3-360-010036	HANDLE EXTENSION WELDMENT (147962)
101	110-3494	SCREW, SET SOCKET HEAD 3/8-16 X 1/2 (147962)
102	3-654-010129-2	SCREW, TORQUE 5/16 X 3-1/2 (NOT SHOWN) (147962)
103	RWD39000	WOOD, APITONG (NOT SHOWN) (147962)
104	3-150-010113	BUSHING, CYL PIN (147427)

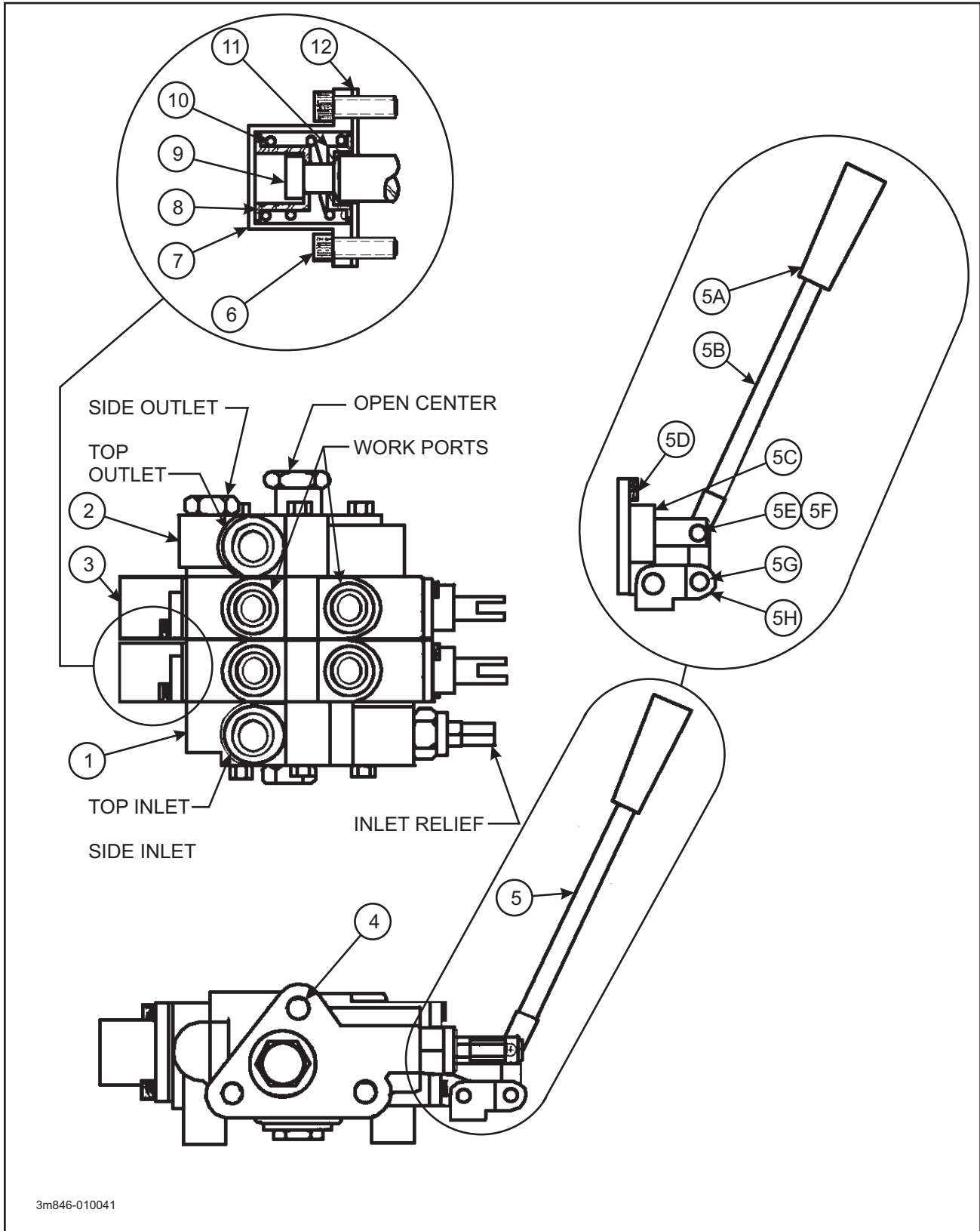


Figure 1-7 Two Spool Valve

TWO SPOOL VALVE

ITEM	PART NO.	DESCRIPTION	QTY.
	3-846-010041	VALVE, 2 SPOOL SECTIONAL	
1	SVI15	INLET SECTION (2500 PSI)	1
2	SVE21	OUTLET SECTION (OPEN CENTER)	1
3	SVH1BA2AB	WORK SECTION, INLET SIDE ("B" PORT = 1500 PSI, "A" PORT PLUGGED)	1
	SVJ1BA2AC	WORK SECTION, OUTLET SIDE ("B" PORT = 500 PSI, "A" PORT PLUGGED)	1
4	660401002	TIE ROD KIT	1
5	----	HANDLE ASSEMBLY	
5A	3-360-010072	KNOB	2
5B	3-360-010031	HANDLE ASSEMBLY	2
5C	671400040	CLEVIS ASSEMBLY	2
5D	671900013	SCREW, HEX SLOTTED CAP	4
5E	220001512	PIN, COTTER	6
5F	671700014	PIN, CLEVIS	4
5G	67170012	PIN, SWIVEL CLEVIS	2
5H	670500047	LINKAGE, CLEVIS SWIVEL	2
6	170003008	SCREW, HEX SLOTTED CAP	4
7	671400033	COVER, SPOOL END	2
8	671400036	SEAL, SPOOL OUTER	2
9	671900010	SPOOL	2
10	670300030	SPRING	2
11	671400037	SEAL, SPOOL INNER	2
12	670500044	GASKET, SPOOL END COVER	2

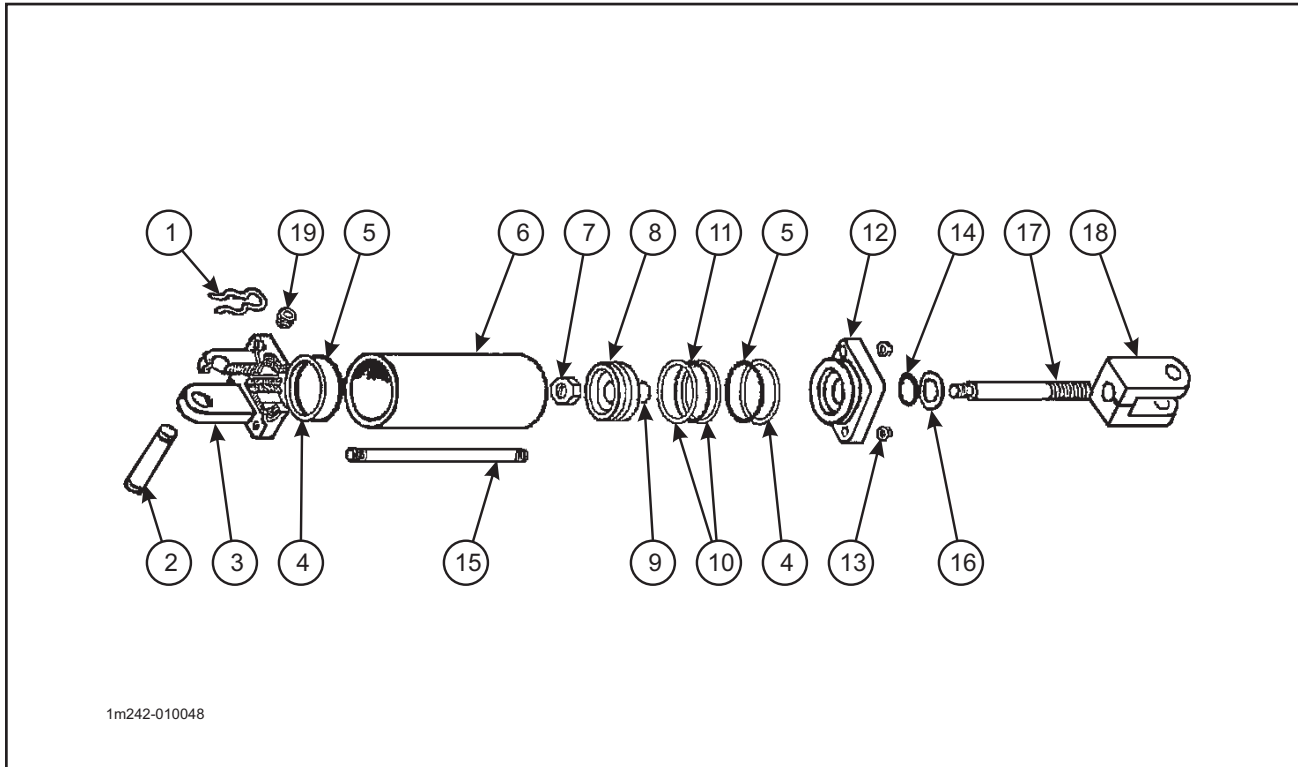


Figure 1-8 4 x 10 Tie Rod Cylinder

4 X 10 TIE ROD CYLINDER

ITEM	PART NO.	DESCRIPTION	QTY.
	1-242-010048	4 X 10 TIE ROD CYLINDER	
1	190400002	FULL HAIR PIN CLIP	
2	190400004	CLEVIS PIN	
3	141900037	ANCHOR GLAND	
4	----	BACK-UP WASHER	
5	----	O-RING	
6	051900009	TUBE	
7	220000210	PISTON ROD LOCK NUT	
8	071900006	PISTON	
9	----	O-RING	
10	----	BACK-UP WASHER	
11	----	O-RING	
12	081900231	ROD GLAND	
13	9/16UNC	TIE ROD NUT	
14	----	U-CUP SEAL	
15	142108	TIE ROD	
16	----	WIPER SEAL	
17	010800006	PISTON ROD	
18	100000326	CLEVIS ASSEMBLY	
19	200300040	3/4-16 STEEL PLUG W/ O-RING	
	1-242-010004	SEAL KIT (INCL ITEMS 4-5, 9-11, 14, & 16)	

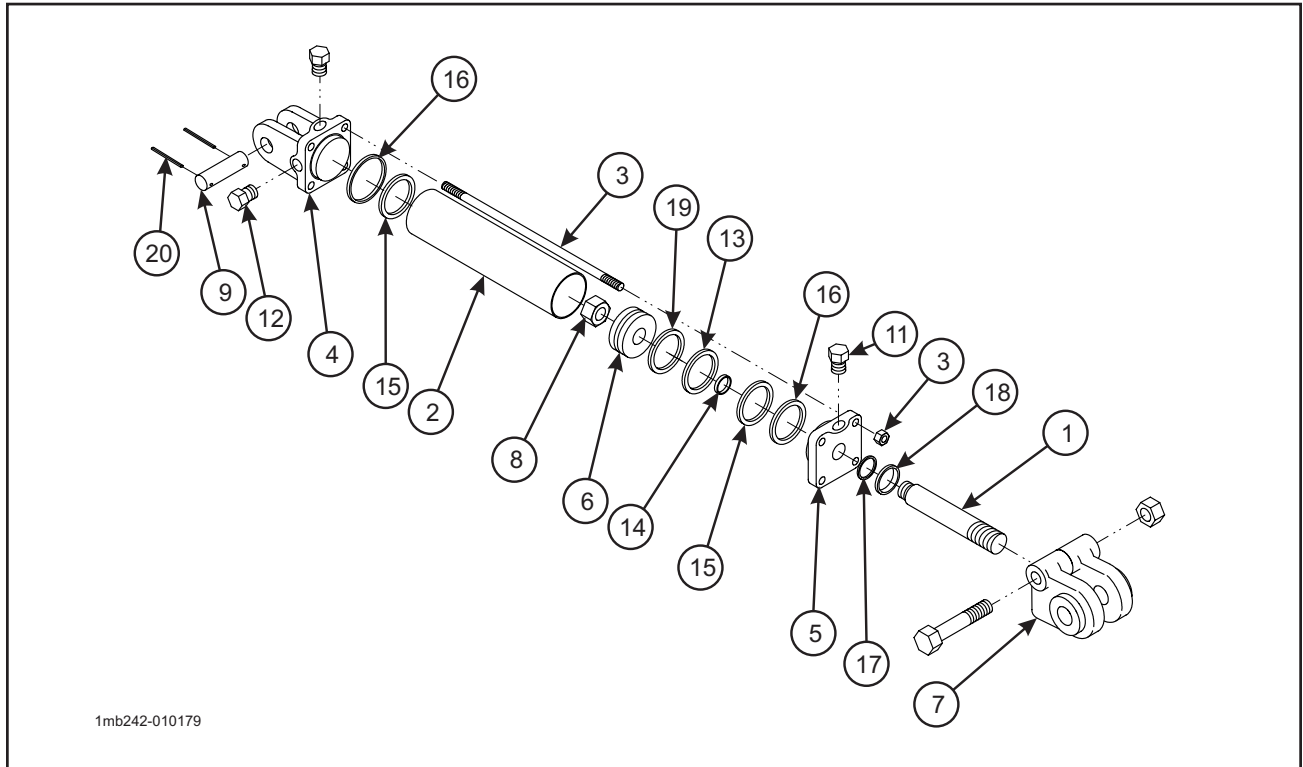


Figure 1-9 4 x 16 Hydraulic Cylinder

4 X 16 HYDRAULIC CYLINDER

ITEM	PART NO.	DESCRIPTION	QTY.
	1-242-010179-3	4 X 16 HYDRAULIC CYLINDER	
1	105898	PISTON ROD	
2	051900012	TUBE	
3	170301212	TIEROD ASSEMBLY	
4	141900037	BUTT	
5	111787	GLAND ASSEMBLY	
6	111786	PISTON	
7	100000326	CLEVIS ASSEMBLY	
8	220000212	LOCKNUT	
9	111790	CLEVIS PIN	
11	200013106	PLASTIC PLUG	
12	200300040	PORT PLUG	
13	----	CROWN SEAL	
14	----	O-RING	
15	----	O-RING	
16	----	BU-WASHER	
17	----	U-CUP	
18	----	WIPER	
19	111793	BEARING RING	
20	111789	ROLL PIN	
21	111911	WARNING DECAL (NOT SHOWN)	
	PMCK-B400000	PACKING KIT (INCL ITEMS 13-18)	

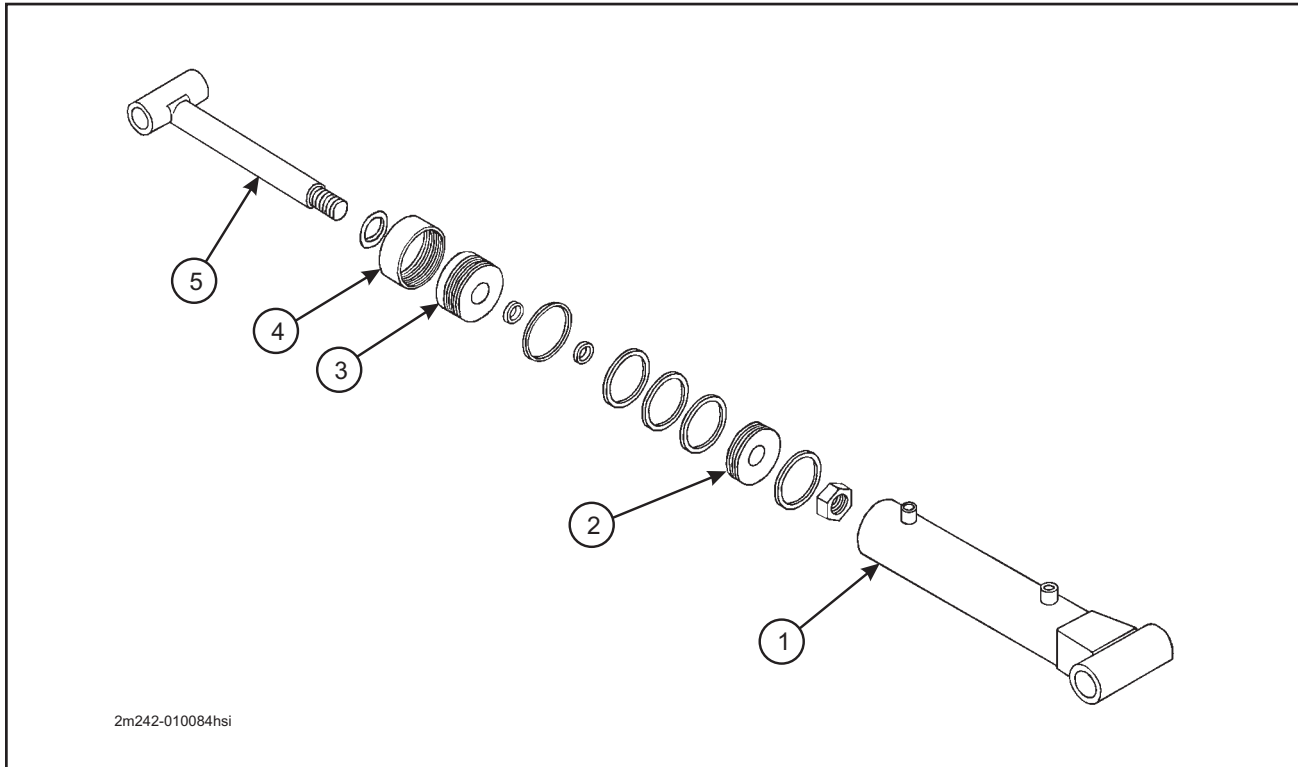


Figure 1-10 8 x 8 Hydraulic Cylinder (Hydraulic Services)

8 X 8 HYDRAULIC CYLINDER (HYDRAULIC SERVICES)

ITEM	PART NO.	DESCRIPTION	QTY.
	2-242-010084	8 X 8 HYDRAULIC CYLINDER	
1	1897-A1	TUBE ASSEMBLY	1
2	1897-C1	PISTON	1
3	1897-D1	GLAND, ROD	1
4	1897-E1	CAP, HEAD	1
5	1897-A1	TUBE ASSEMBLY	1
	SK 1897	SEAL KIT (CONTAINS ALL NECESSARY O-RINGS AND SEALS)	1

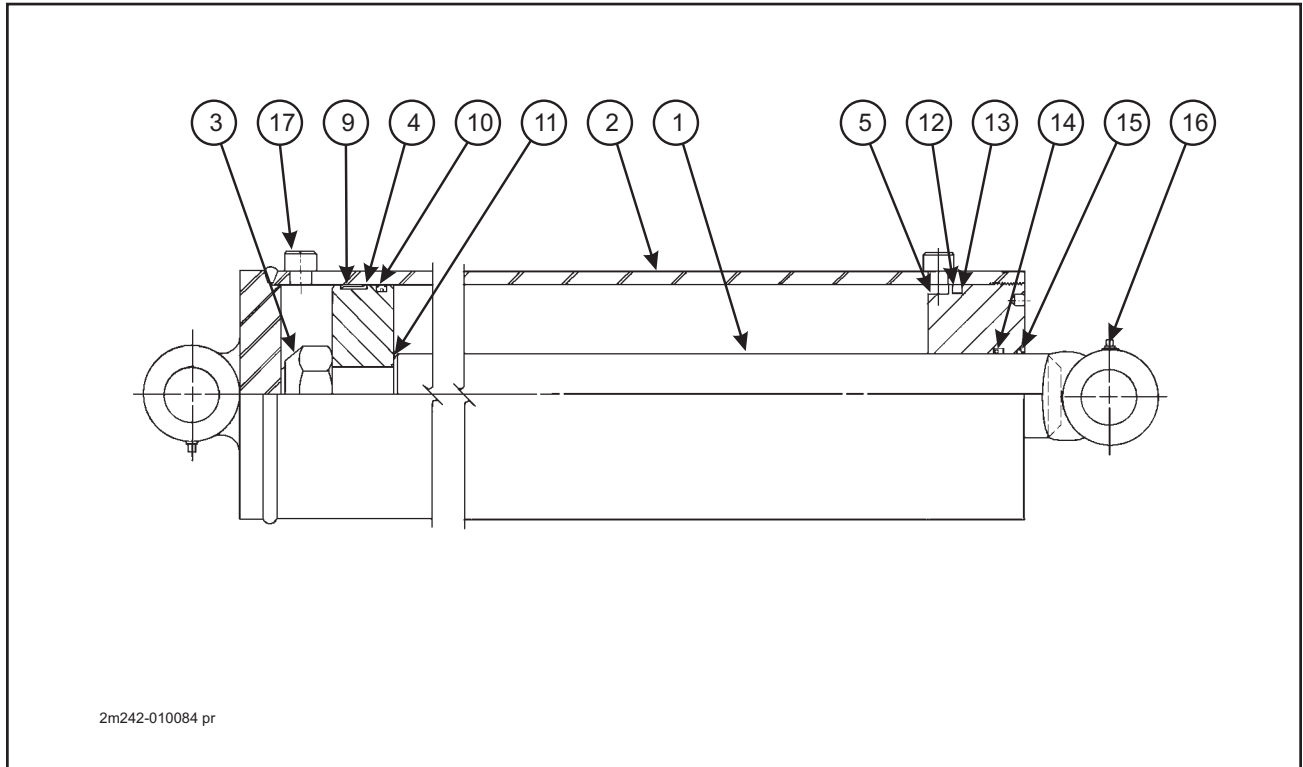


Figure 1-11 8 x 8 Hydraulic Cylinder (Prince)

8 X 8 HYDRAULIC CYLINDER (PRINCE)

ITEM	PART NO.	DESCRIPTION	QTY.
	2-242-010084	8 X 8 HYDRAULIC CYLINDER	
1	021500090	PISTON ROD ASSEMBLY	
2	062700041	BUTT AND TUBE ASSEMBLY	
3	116606	LOCKNUT (2-12)	
4	072700034	PISTON	
5	082700039	GLAND	
9	----	WEAR RING	
10	----	CROWN SEAL	
11	----	O-RING	
12	----	O-RING	
13	----	BU-WASHER	
14	----	U-CUP	
15	----	WIPER	
16	270010002	ZERK	
17	200300040	PORT PLUG	
	PMCK-AH-261	PACKING KIT (INCL ITEMS 9-15)	

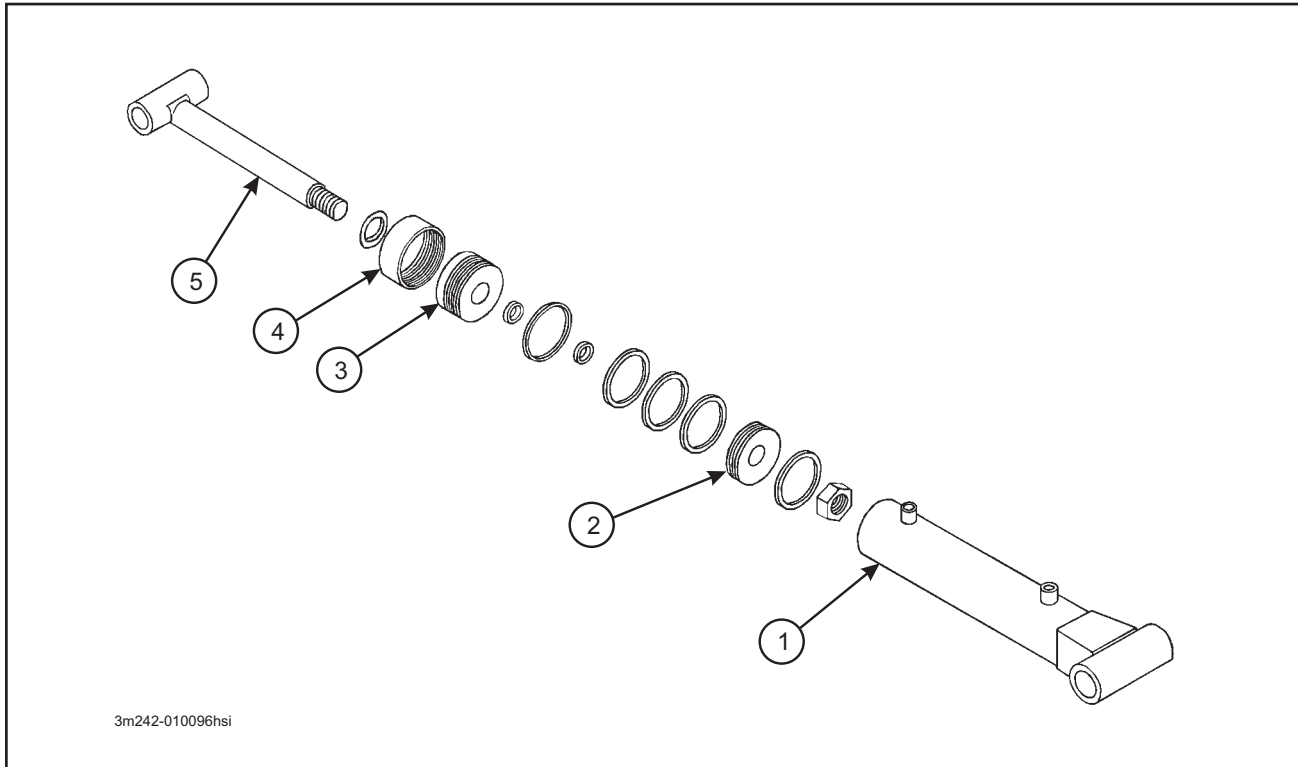


Figure 1-12 9 x 8 Hydraulic Cylinder (Hydraulic Services)

9 X 8 HYDRAULIC CYLINDER (HYDRAULIC SERVICES)

ITEM	PART NO.	DESCRIPTION	QTY.
	3-242-010096	9 X 8 HYDRAULIC CYLINDER	
1	3367-A1	TUBE ASSEMBLY	1
2	3367-C1	PISTON	1
3	3367-D1	GLAND, ROD	1
4	3367-E1	CAP, HEAD	1
5	3367-A1	TUBE ASSEMBLY	1
	SK 3367	SEAL KIT (CONTAINS ALL NECESSARY O-RINGS AND SEALS)	1

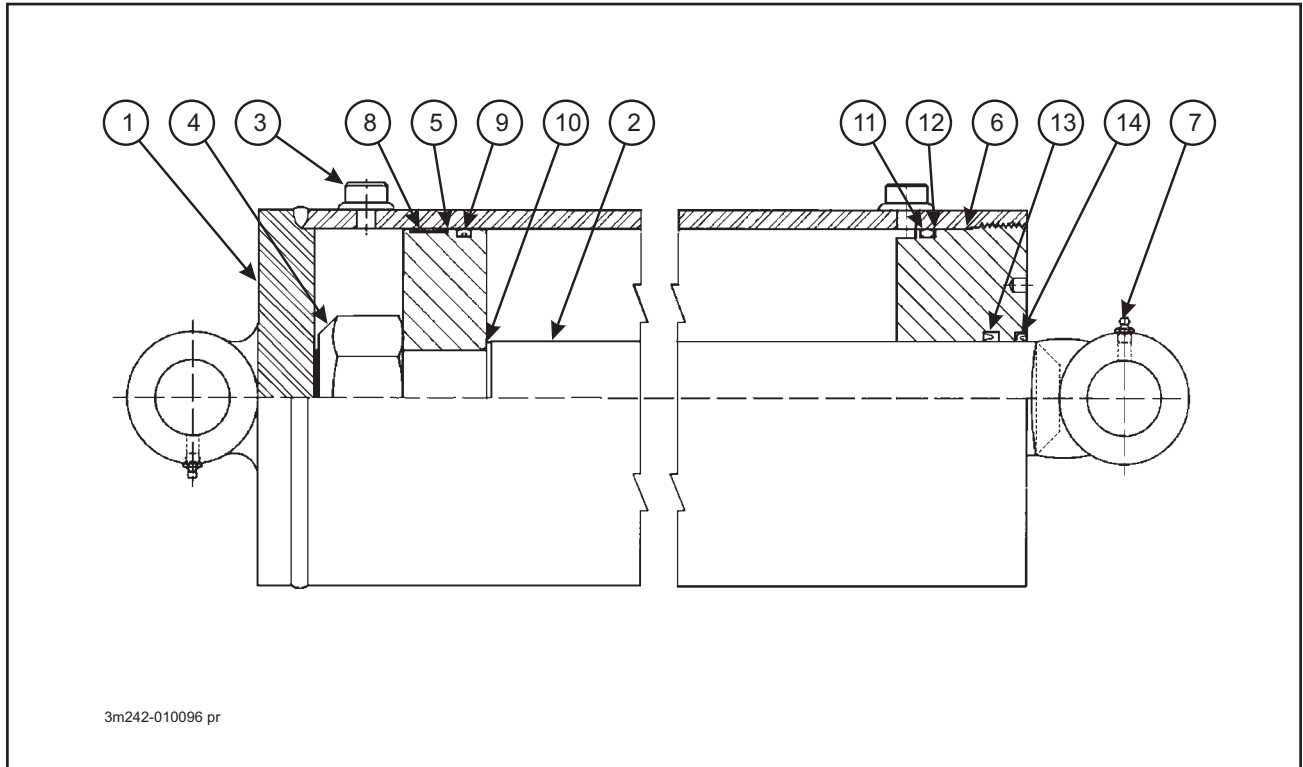


Figure 1-13 9 x 8 Hydraulic Cylinder (Prince)

9 X 8 HYDRAULIC CYLINDER (PRINCE)

ITEM	PART NO.	DESCRIPTION	QTY.
	3-242-010096	9 X 8 HYDRAULIC CYLINDER	
1	062900005	BUTT & TUBE ASSEMBLY	
2	021500089	PISTON ROD ASSEMBLY	
3	200300040	PORT PLUG	
4	220000219	LOCKNUT	
5	072900003	PISTON	
6	082900004	GLAND	
7	125565	GREASE ZERK	
8	----	BEARING RING	
9	----	CROWN SEAL	
10	----	O-RING	
11	----	O-RING	
12	----	BU-WASHER	
13	----	U-CUP	
14	----	WIPER	
	PMCK-AF-857	PACKING KIT	

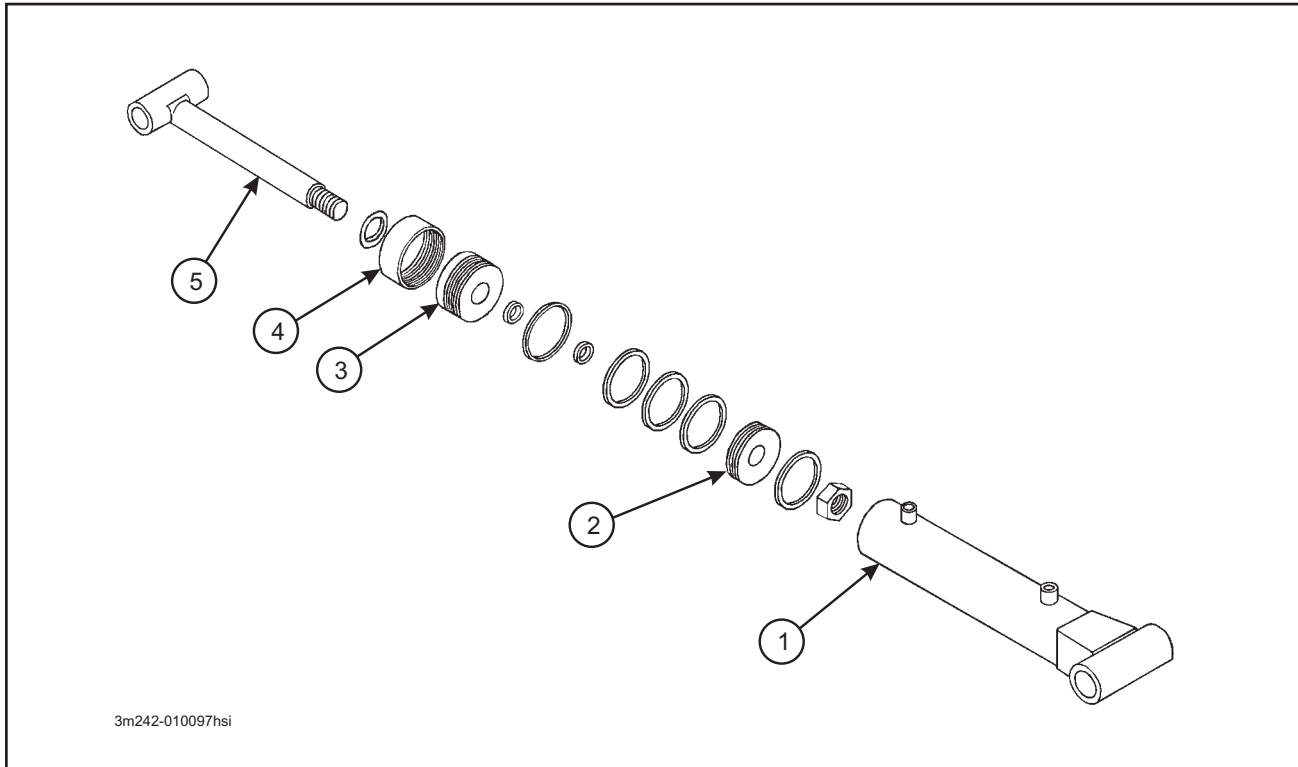


Figure 1-14 10 x 8 Hydraulic Cylinder (Hydraulic Services)

10 X 8 HYDRAULIC CYLINDER (HYDRAULIC SERVICES)

ITEM	PART NO.	DESCRIPTION	QTY.
	3-242-010097	10 X 8 HYDRAULIC CYLINDER	
1	2331-A1	TUBE ASSEMBLY	1
2	2331-C1	PISTON	1
3	2331-D1	GLAND, ROD	1
4	2331-E1	CAP, HEAD	1
5	2331-A1	TUBE ASSEMBLY	1
	SK 2331	SEAL KIT (CONTAINS ALL NECESSARY O-RINGS AND SEALS)	1

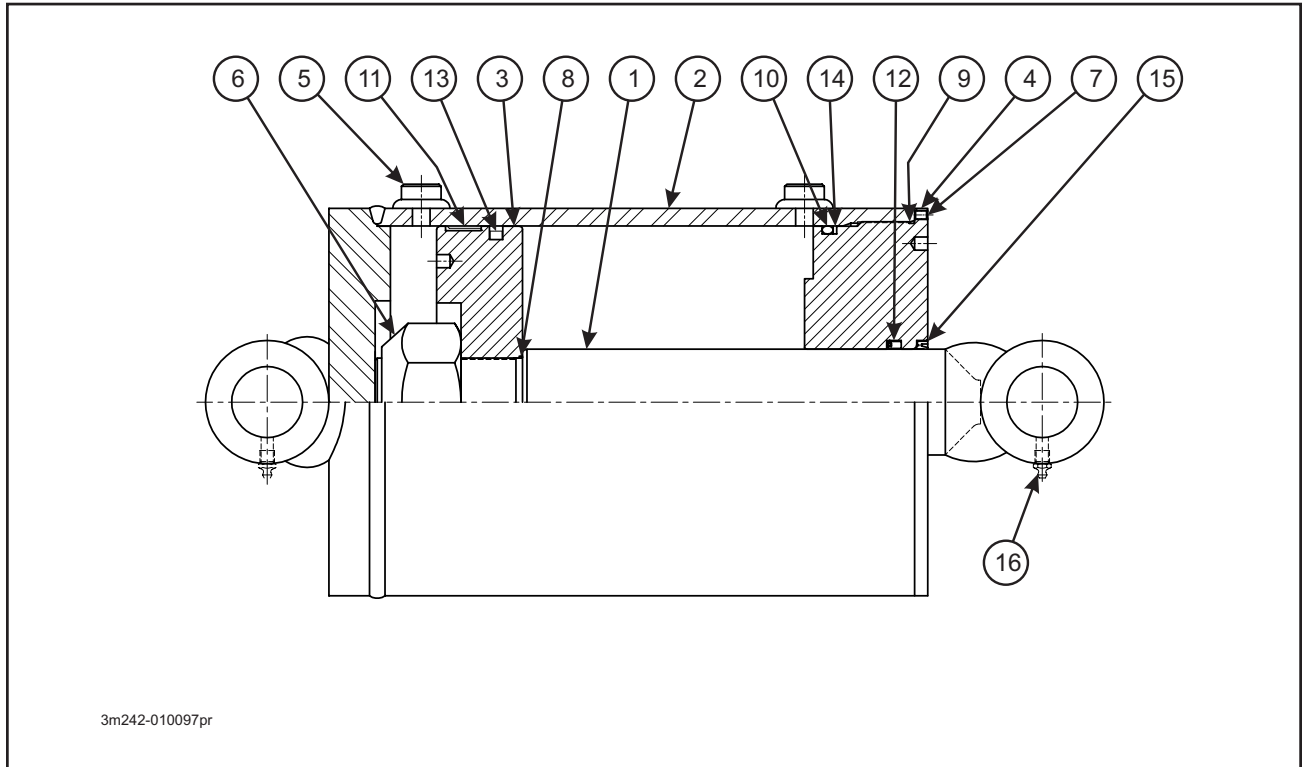
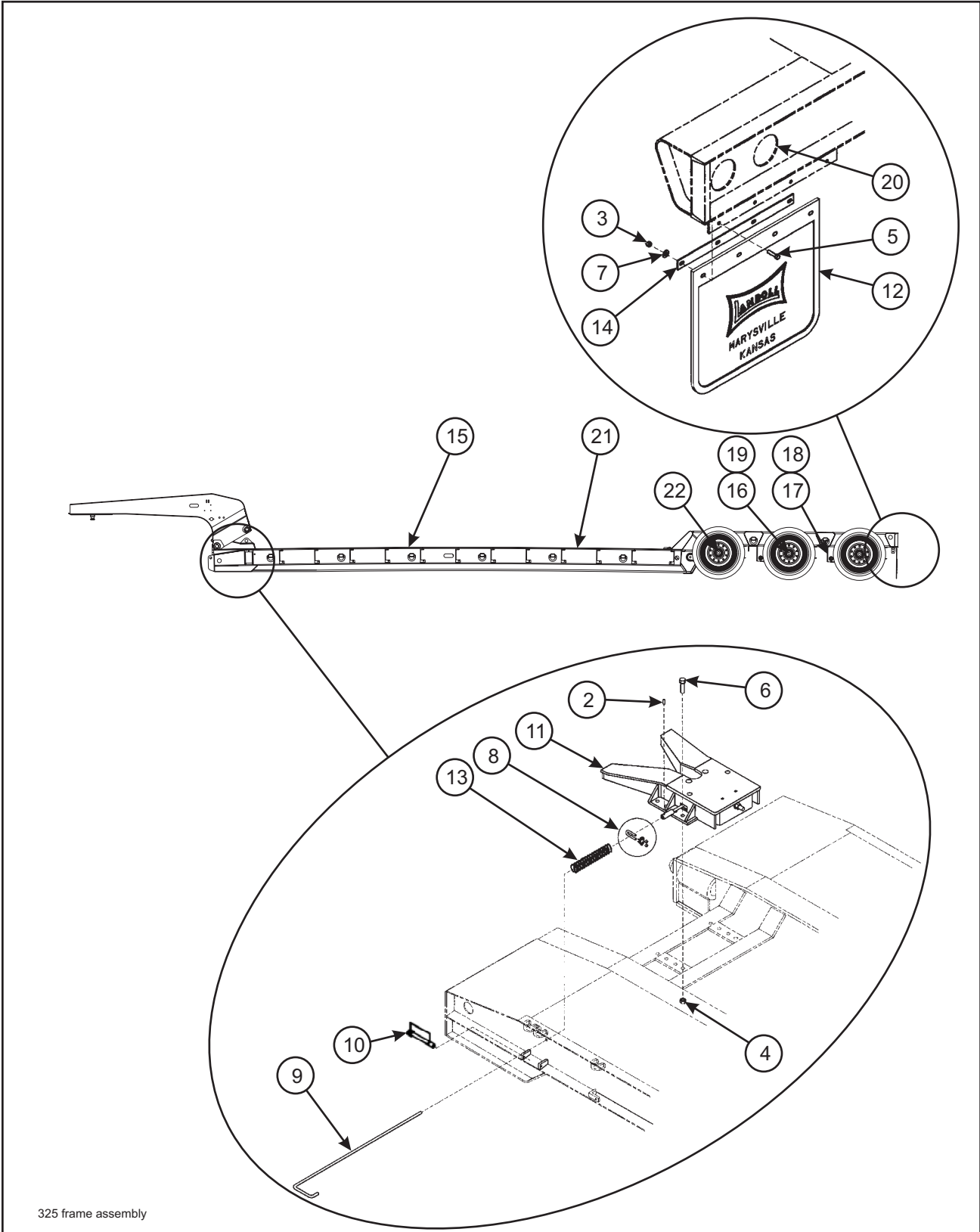


Figure 1-15 10 x 8 Hydraulic Cylinder (Prince)

10 X 8 HYDRAULIC CYLINDER (PRINCE)

ITEM	PART NO.	DESCRIPTION	QTY.
	3-242-010097	10 X 8 HYDRAULIC CYLINDER	
1	021500208	PISTON ROD ASSEMBLY	
2	063100060	BUTT & TUBE ASSEMBLY	
3	073100050	PISTON	
4	083100036	GLAND	
5	200300040	PORT PLUG	
6	220000219	LOCKNUT	
7	138663	SOCKET HD SETSCREW	
8	----	O-RING	
9	----	O-RING	
10	----	O-RING	
11	----	BEARING RING	
12	----	U-CUP	
13	----	TEFLON SEAL	
14	----	BU-WASHER	
15	----	WIPER	
16	125565	ZERK	
	PMCK AG-891	PACKING KIT	



325 frame assembly

Figure 1-16 Frame Assembly, Air Ride (325C, 326C, 327C, 329C)

FRAME ASSEMBLY, A/R (325C, 326C, 327C, 329C)

ITEM	PART NO.	DESCRIPTION	QTY.
	-----	FRAME ASSEMBLY	
1	B7-246-001	324-24 DETAIL (ITEMS 2 - 14)	1
	B7-246-002	324-24 DETAIL (ITEMS 2 - 14)	1
2	1-647-010004213	SPRING PIN, SLOT TYPE 1/4 X 1	1
	0600-250-01000	ROLL PIN 1/4 X 1	1
3	1-512-010005-05	NUT, HEX LOCK 3/8-16 GRB	8
4	1-512-010005-15	NUT, HEX LOCK 3/4-10 GRB	8
5	1-654-010051-07	SCREW, HEX HEAD CAP 3/8-16 X 1-1/2 GR5	8
6	1-654-010061-05	SCREW, HEX HEAD CAP 3/4-10 X 2 GR5	8
7	1-861-010032-11	WASHER, FLAT 3/8W	8
8	1/2 W R CLAMP	CLAMP, WIRE 1/2	1
9	3-054-010004	RELEASE HANDLE (102" WIDE)	1
	3-054-010008	RELEASE HANDLE (96" WIDE)	1
	3-054-010124	RELEASE HANDLE (108" WIDE)	1
	3-054-010012	RELEASE HANDLE (BEAM BED & DROP SIDE)	1
10	516-22PTL	RETAINING PIN, MUD FLAP	1
	3-298-010002-1	FITTING, GREASE 1/8-27 (NOT SHOWN)	1
11	3-458-010022	LOCK ASSEMBLY (SEE PAGE 1-31)	1
12	3-485-010001	MUD FLAP 21"	2
13	3-720-010036	SPRING	1
14	3-762-010017	CLAMP, MUD FLAP	2
15	-----	DECK, WOOD	1
16	112193	AIR RIDE PLUMBING INSTALLATION (SEE PAGE 1-33)	1
	114282	AIR RIDE PLUMBING INSTALLATION (SEE PAGE 1-33)	1
17	112576	SUSPENSION, AIR RLU250 (INCL ITEMS 18 - 19)	1
	113950	SUSPENSION, AIR RLU250 (INCL ITEMS 18 - 19)	1
18	110618	SUSPENSION FASTENER, RLU 250-9-4 (SEE PAGE 1-45)	1
	110622	SUSPENSION FASTENER, RLU 250 FMT (SEE PAGE 1-47)	1
19	115752	AXLE WELDMENT 2516 SPG 79 FRT	1
	115756	AXLE WELDMENT 2516 SPG 79 327 CTR	1
	115757	AXLE WELDMENT 2516 SER 79 REAR	1
		(FOR AXLE WELDMENT BREAKDOWNS, SEE PAGE 1-51)	
20	146952	ELECTRICAL SYSTEM LED (SEE PAGE 1-55)	1
21	-----	FRAME WELDMENT, A/R	1
22	140932	AIR BRAKE SYSTEM, ABS (325C & 327C) (SEE PAGE 1-59)	1
	104188	AIR BRAKE SYSTEM, ABS (326C) (SEE PAGE 1-61)	1
	139315	AIR BRAKE SYSTEM, ABS (329C) (SEE PAGE 1-63)	1
23	147956	GREASE SYSTEM (325C) (SEE PAGE 1-28)	1
	146954	GREASE SYSTEM (327C) (SEE PAGE 1-28)	1
	147429	GREASE SYSTEM (329C) (SEE PAGE 1-28)	1
	146953	GREASE SYSTEM (326C) (SEE PAGE 1-25)	1

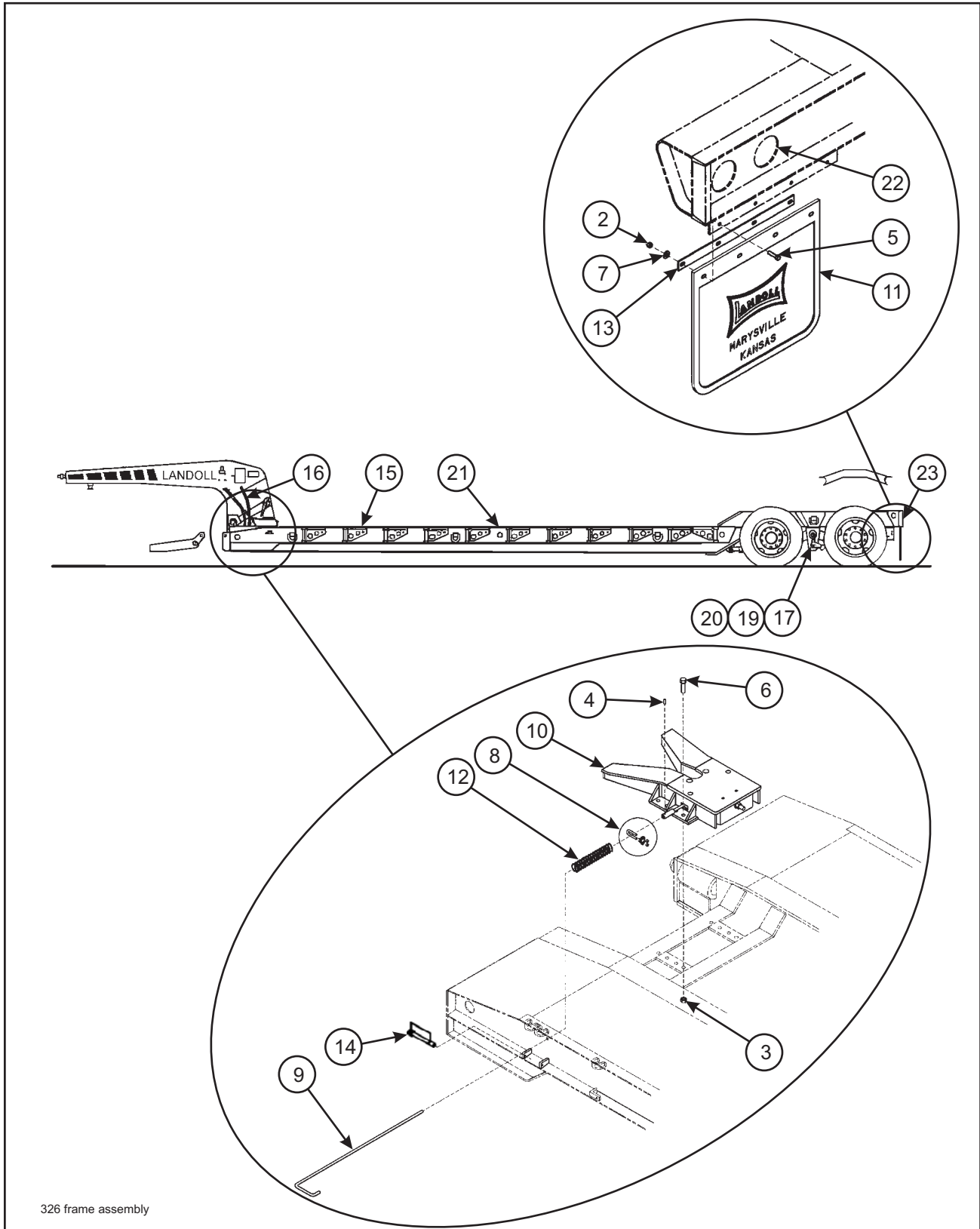


Figure 1-17 Frame Assembly, Spring Ride (326C)

FRAME ASSEMBLY, SPRING RIDE (326C)

ITEM	PART NO.	DESCRIPTION	QTY.
	-----	FRAME ASSEMBLY	
1	B7-246-001	DETAIL DETACH (ITEMS 2 - 14)	1
2	1-512-010005-05	NUT, HEX LOCK 3/8-16 GRB	8
3	1-512-010005-15	NUT, HEX LOCK 3/4-10 GRB	8
4	1-647-010004213	SPRING PIN, SLOT TYPE 1/4 X 1	1
5	1-654-010051-07	SCREW, HEX HEAD CAP 3/8-16 X 1-1/2 GR5	8
6	1-654-010061-05	SCREW, HEX HEAD CAP 3/4-10 X 2 GR5	8
7	1-861-010032-11	WASHER, FLAT 3/8W	8
8	1/2 W R CLAMP	CLAMP, WIRE 1/2	1
9	3-054-010004	BAR, ROUND 1/2 X 45-5/8	1
10	3-458-010022	LOCK ASSEMBLY (SEE PAGE 1-31)	1
11	3-485-010001	MUD FLAP 21"	2
12	3-720-010036	SPRING	1
13	3-762-010017	CLAMP, MUD FLAP	2
14	516-22PTL	RETAINING PIN MUD FLAP	
15	-----	DECK, WOOD	1
16	104188	AIR BRAKE SYSTEM, ABS (SEE PAGE 1-61)	1
17	144721	SUPENSION, SPRING RIDE (326-102) (INCL ITEMS 19-20)	1
19	144417	SUPENSION, SPRING FRONT (SEE PAGE 1-49)	1
20	144418	SUPENSION, SPRING REAR (SEE PAGE 1-49)	1
21	-----	FRAME WELDMENT (326)	1
22	146952	ELECTRICAL SYSTEM LED (SEE PAGE 1-55)	1
23	146953	GREASE SYSTEM (326C) (SEE PAGE 1-25)	1

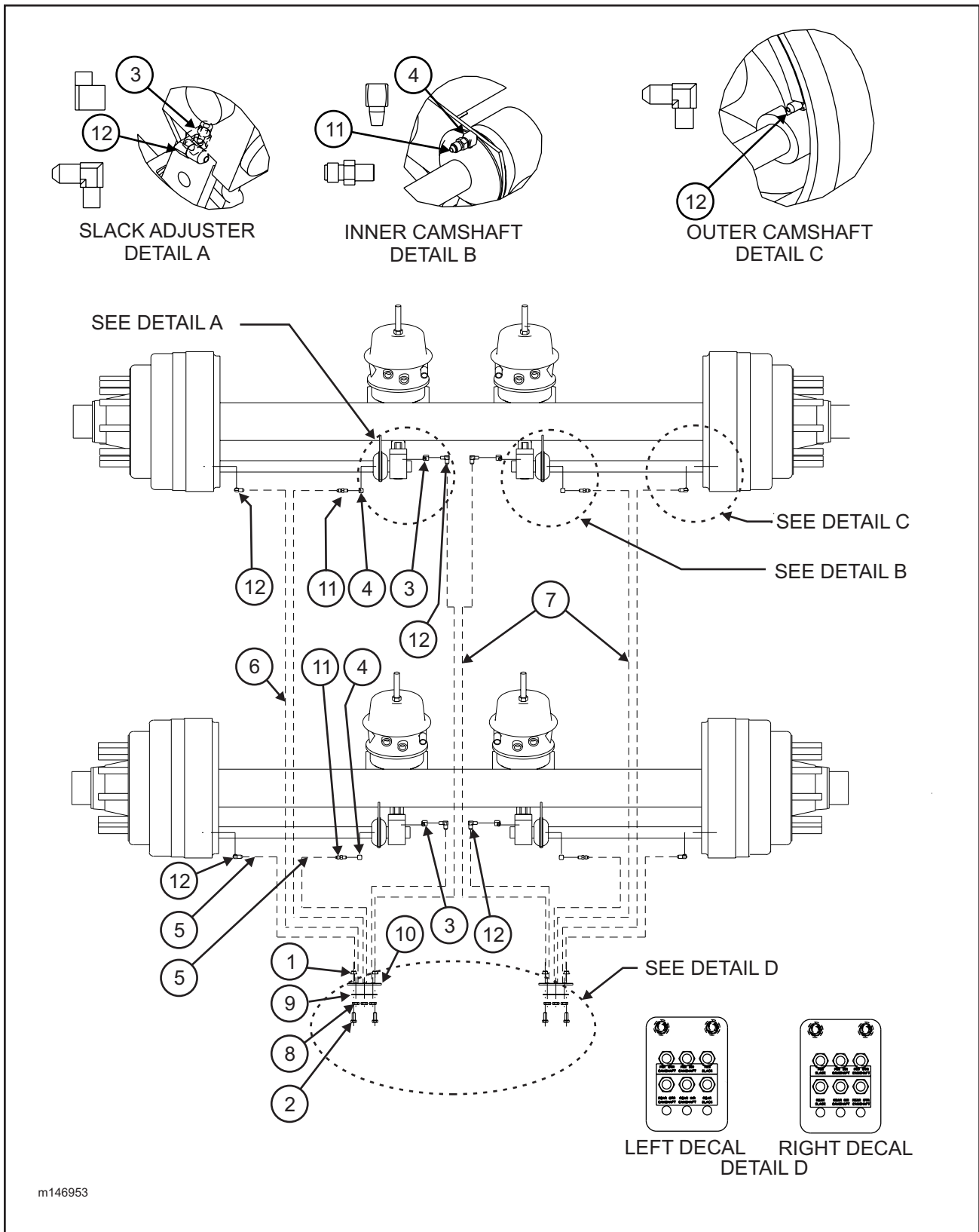


Figure 1-18 Grease System - Tandem Axle (326C)

GREASE SYSTEM - TANDEM AXLE (326C)

ITEM	PART NO.	DESCRIPTION	QTY.
	146953	GREASE SYSTEM (326C)	
1	1-510-010001	NUT, FLANGE LOCK 3/8-16	4
2	1-654-010051-05	SCREW, HEX HEAD CAP 3/8-16 X 1 GR5	4
3	101528	ELBOW, BRASS PIPE STR	4
4	121355	ELBOW, 90	4
5	*142442	HOSE ASSEMBLY, GREASE 1/4 X 60	6
6	*142445	HOSE ASSEMBLY, GREASE 1/4 X 102	2
7	*142446	HOSE ASSEMBLY, GREASE 1/4 X 118	4
8	142545	NUT, HEX JAM 7/16-20 GRB	12
9	142553	DECAL, GREASE TRAILER U/C	2
10	146922	BRACKET, BULKHEAD GREASE HOSE	2
11	2021-2-4	ADAPTER, STRAIGHT	4
12	2024-2-4S	ADAPTER, ELBOW	8

* SEE TABLES BELOW FOR HOSE LOCATIONS

GREASE HOSE LOCATION, P/N, & LENGTH (326C)

ITEM	HOSE LOCATION	RIGHT	LEFT	LENGTH
5	TO REAR INNER CAMSHAFT	142442	142442	60"
5	TO REAR OUTER CAMSHAFT	142442	142442	60"
5	TO REAR SLACK	142442	142442	60"
6	TO FRONT OUTER CAMSHAFT	142445	142445	112"
7	TO FRONT INNER CAMSHAFT	142446	142446	118"
7	TO FRONT SLACK	142446	142446	118"

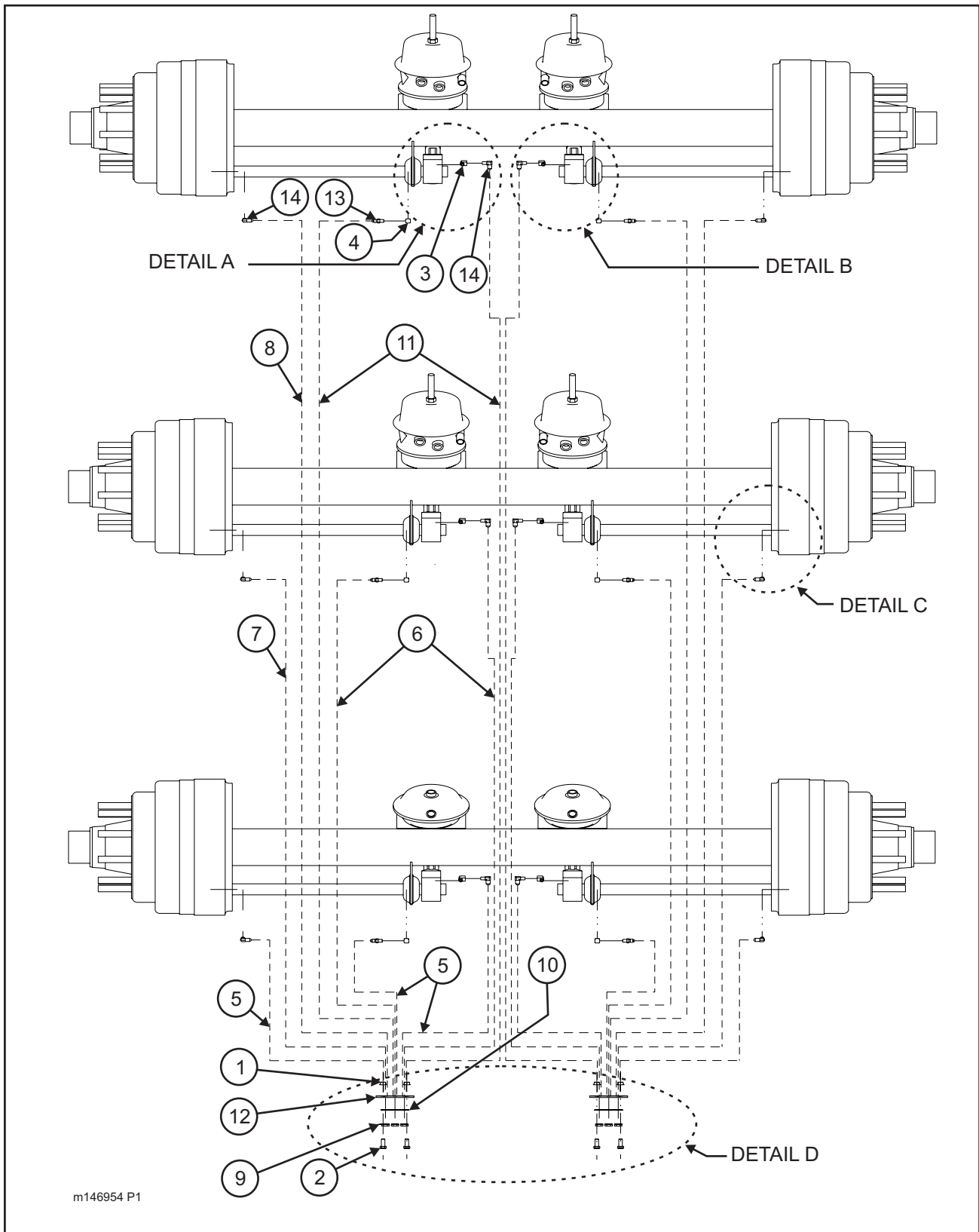
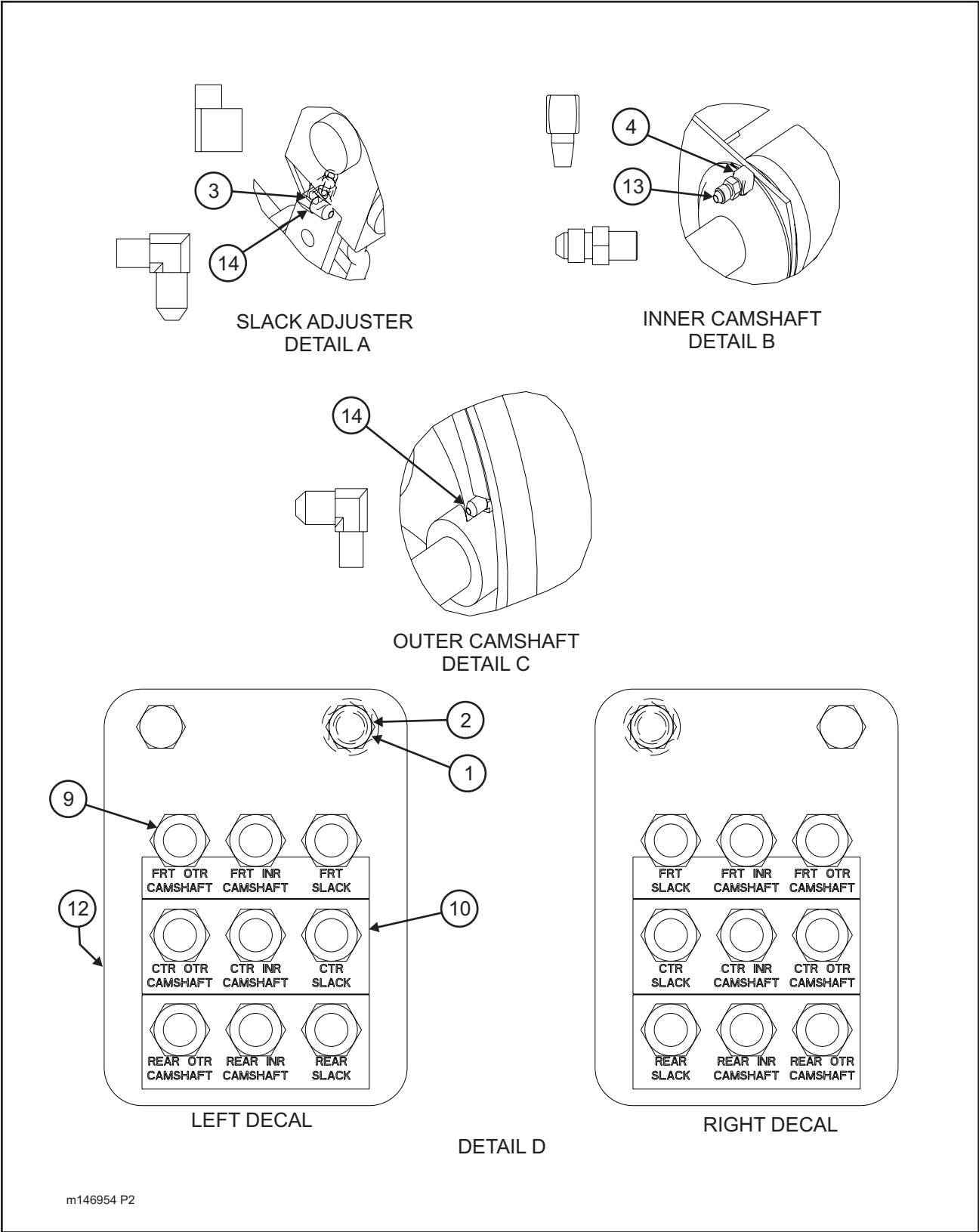


Figure 1-19 Grease System - Triple Axle (325C, 327C, 329C)

(1 of 2)



m146954 P2

Figure 1-20 Grease System - Triple Axle (325C, 327C, 329C)
(2 of 2)

GREASE SYSTEM - TRIPLE AXLE (325C, 327C, 329C)

ITEM	PART NO.	DESCRIPTION	QTY.
	147956	GREASE SYSTEM (325C)	
	146954	GREASE SYSTEM (327C)	
	147429	GREASE SYSTEM (329C)	
1	1-510-010001	NUT, FLANGE LOCK 3/8-16	
2	1-654-010051-05	SCREW, HEX HEAD CAP 3/8-16 X 1 GR5	
3	101528	ELBOW, BRASS PIPE STR	
4	121355	ELBOW, 90	
5	*142442	HOSE ASSEMBLY, GREASE 1/4 X 60	
6	*142445	HOSE ASSEMBLY, GREASE 1/4 X 102 (146954)	
	*142446	HOSE ASSEMBLY, GREASE 1/4 X 118 (147956)	
	*142447	HOSE ASSEMBLY, GREASE 1/4 X 126 (147429)	
7	*142446	HOSE ASSEMBLY, GREASE 1/4 X 118 (146954 & 147956)	
	*142447	HOSE ASSEMBLY, GREASE 1/4 X 126 (147429)	
8	*142451	HOSE ASSEMBLY, GREASE 1/4 X 156 (146954)	
	*144614	HOSE ASSEMBLY, GREASE 1/4 X 172 (147956)	
	*142453	HOSE ASSEMBLY, GREASE 1/4 X 180 (147429)	
9	142545	NUT, HEX JAM 7/16-20 GRB	
10	142553	DECAL, GREASE TRAILER U/C	
11	*144614	HOSE ASSEMBLY, GREASE 1/4 X 172 (146954)	
	*142453	HOSE ASSEMBLY, GREASE 1/4 X 180 (147956 & 147429)	
12	146922	BRACKET, BULKHEAD GREASE HOSE	
13	2021-2-4	ADAPTER, STRAIGHT	
14	2024-2-4S	ADAPTER, ELBOW	
15	*142453	HOSE ASSEMBLY, GREASE 1/4 X 180 (147956 & 147429)	
	*144614	HOSE ASSEMBLY, GREASE 1/4 X 172 (146954)	

* SEE TABLES ON NEXT PAGE FOR HOSE LOCATIONS

GREASE HOSE LOCATION, P/N, & LENGTH (147956)(325C)

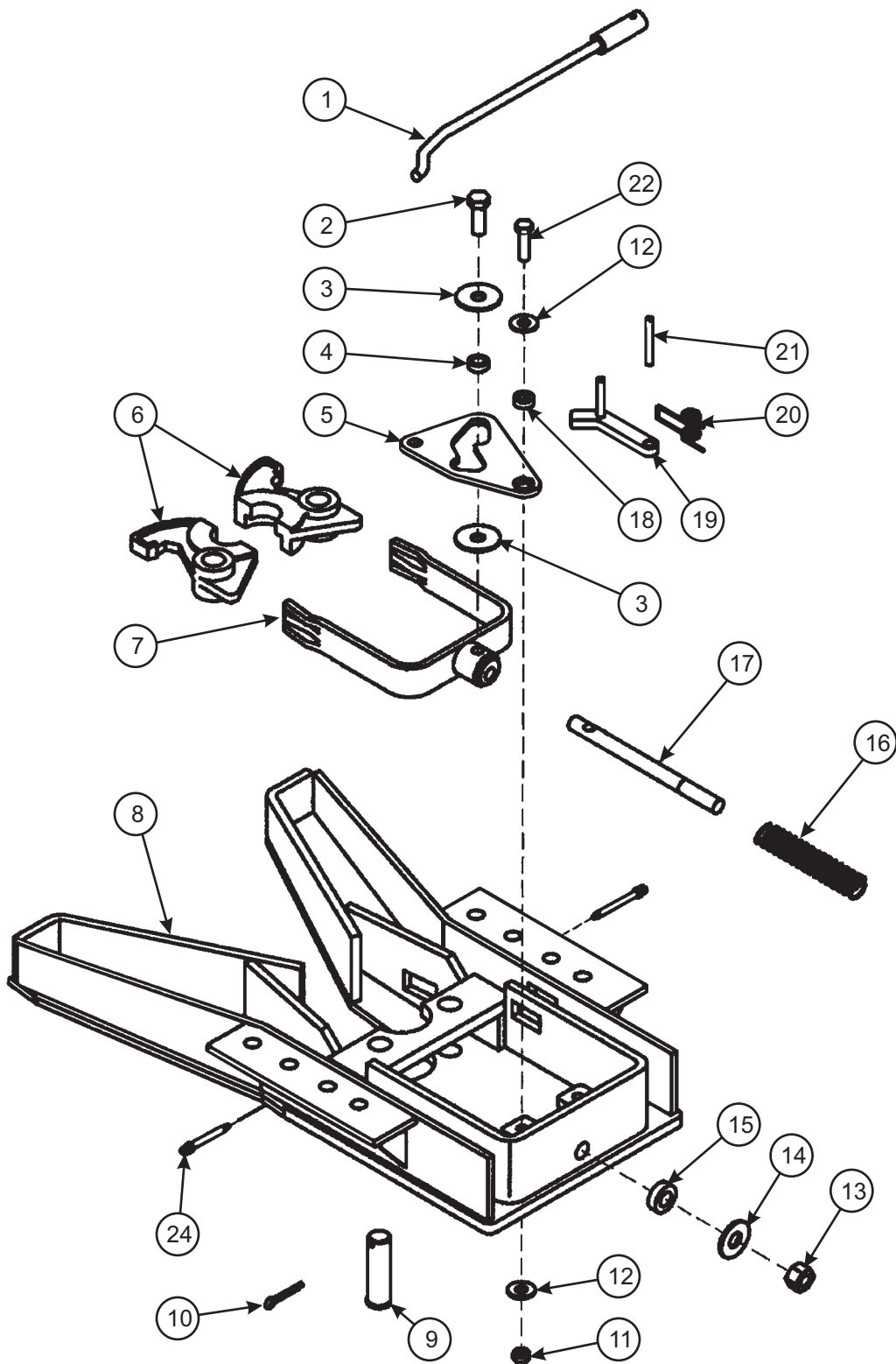
ITEM	HOSE LOCATION	RIGHT	LEFT	LENGTH
5	TO REAR INNER CAMSHAFT	142442	142442	60"
5	TO REAR OUTER CAMSHAFT	142442	142442	60"
5	TO REAR SLACK	142442	142442	60"
6	TO CENTER SLACK	142446	142446	118"
6	TO CENTER INNER CAMSHAFT	142446	142446	118"
7	TO CENTER OUTER CAMSHAFT	142446	142446	118"
8	TO FRONT OUTER CAMSHAFT	144614	144614	172"
11	TO FRONT INNER CAMSHAFT	142453	142453	180"
15	TO FRONT SLACK	142453	142453	180"

GREASE HOSE LOCATION, P/N, & LENGTH (146954)(327C)

ITEM	HOSE LOCATION	RIGHT	LEFT	LENGTH
5	TO REAR INNER CAMSHAFT	142442	142442	60"
5	TO REAR OUTER CAMSHAFT	142442	142442	60"
5	TO REAR SLACK	142442	142442	60"
6	TO CENTER SLACK	142445	142445	102"
6	TO CENTER INNER CAMSHAFT	142445	142445	102"
7	TO CENTER OUTER CAMSHAFT	142446	142446	118"
8	TO FRONT OUTER CAMSHAFT	142451	142451	156"
11	TO FRONT INNER CAMSHAFT	144614	144614	172"
15	TO FRONT SLACK	144614	144614	172"

GREASE HOSE LOCATION, P/N, & LENGTH (147429)(329C)

ITEM	HOSE LOCATION	RIGHT	LEFT	LENGTH
5	TO REAR INNER CAMSHAFT	142442	142442	60"
5	TO REAR OUTER CAMSHAFT	142442	142442	60"
5	TO REAR SLACK	142442	142442	60"
6	TO CENTER SLACK	142447	142447	126"
6	TO CENTER INNER CAMSHAFT	142447	142447	126"
7	TO CENTER OUTER CAMSHAFT	142447	142447	126"
8	TO FRONT OUTER CAMSHAFT	142453	142453	180"
11	TO FRONT INNER CAMSHAFT	142453	142453	180"
15	TO FRONT SLACK	142453	142453	180"

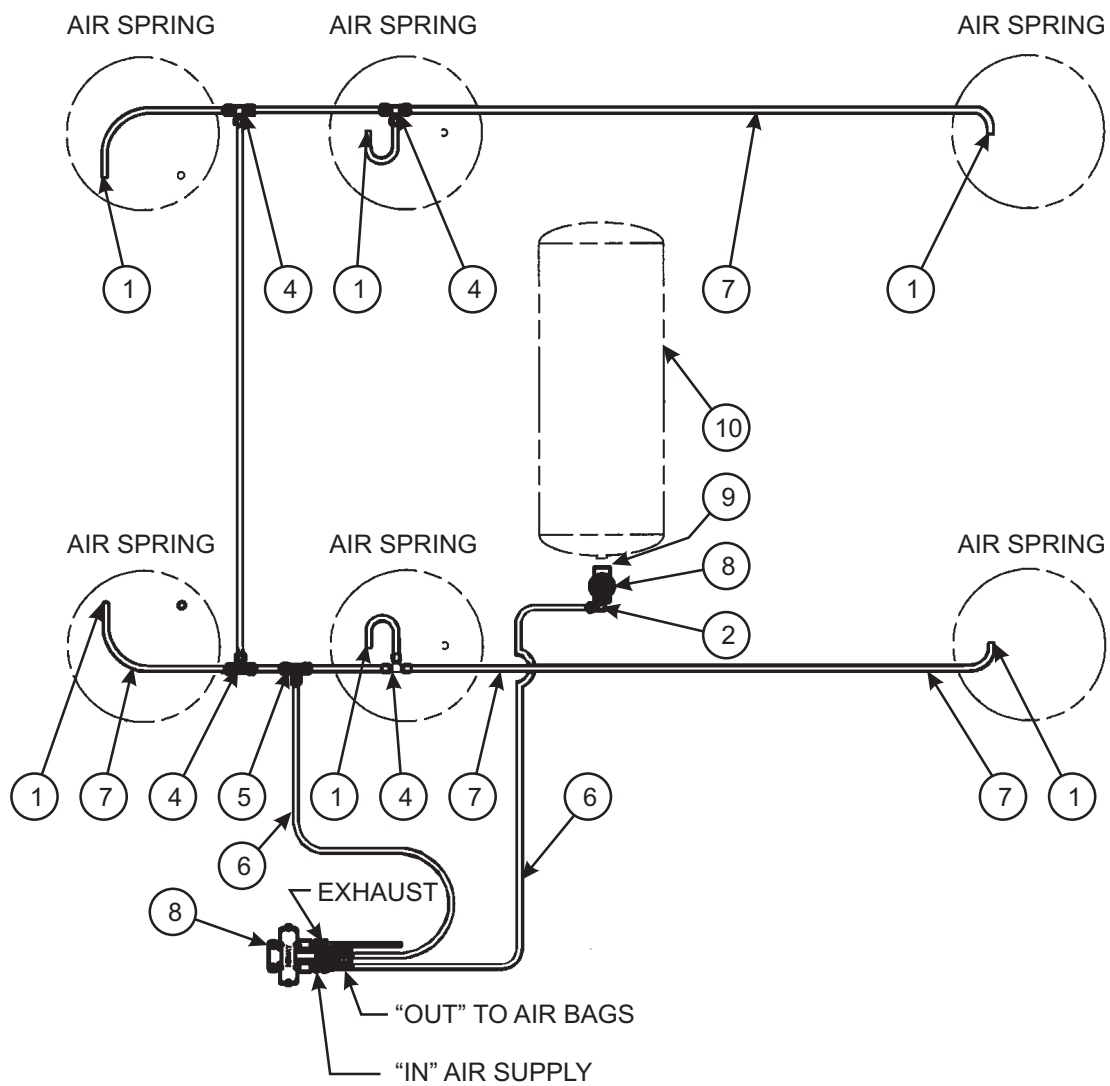


3m458-010022

Figure 1-21 Lock Assembly

LOCK ASSEMBLY

ITEM	PART NO.	DESCRIPTION	QTY.
	3-458-010022	LOCK ASSEMBLY	
1	3-054-010045	RELEASE BAR WELDMENT	1
2	1-654-010090-04	SCREW, HEX HEAD CAP 5/8-18 X 1.75 GR8	1
3	3-861-010022	WASHER, CAM PLATE	2
4	3-458-010015	ROLLER, CAM	1
5	3-458-010019	CAM PLATE	1
6	XA-1704	LOCK JAWS	1
7	3-458-010018	YOKE WELDMENT	1
8	3-311-014652	LOCK WELDMENT	1
9	3-557-010269	PIN, LOCK	REF
10	1-557-010362-63	PIN, COTTER 1/4 X 2	2
11	1/2-20 ESNA	NUT, LOCK 1/2-20 ESNA	1
12	1-861-010032-15	WASHER, FLAT 1/2W	2
13	3/4-16 ESNA	NUT, LOCK 3/4-16 ESNA	1
14	1-861-010032-21	WASHER, FLAT 3/4W	1
15	3-150-010034	BUSHING, RUBBER	1
16	3-720-010035	SPRING	1
17	3-458-010016	SHAFT, YOKE	1
18	3-458-010014	BUSHING, CAM	1
19	XA-3542-R	LOCK, SECONDARY RH	1
20	XB-2149	SPRING, TORSION	1
21	0600-500-02750	ROLL PIN 1/2 X 2-3/4	1
22	1/2-20 X 1-3/4CS	SCREW, HEX HEAD CAP 1/2-20 X 1-3/4	1
24	3-298-010002-1	FITTING, 1/8-27 X 2-5/8	2



m112193

Figure 1-22 Air Ride Plumbing Installation

AIR RIDE PLUMBING INSTALLATION

ITEM	PART NO.	DESCRIPTION	QTY.
	112193	AIR RIDE PLUMBING INSTALLATION (325C, 327C, 329C)	
	114282	AIR RIDE PLUMBING INSTALLATION (326C)	
1	1-297-010007-11	FITTING, AIR	*6,4
2	1-297-010008-07	FITTING, AIR 90	1
4	1-297-010010-03	FITTING, AIR UNION TEE 3/8	*4,2
5	1-297-010010-04	FITTING, AIR UNION TEE	1
6	1-833-010001	TUBING, NYLON 1/4	AR
7	1-833-010002	TUBING, NYLON 3/8	AR
8	102732	AIR CONTROL KIT (SEE PAGE 1-35)	1
9	2083-8-4S	NIPPLE 1/4 X 1/2	1
10	3-780-010002	AIR TANK	REF

* 1ST QUANTITY IS FOR P/N 112193; 2ND QUANTITY IS FOR P/N 114282

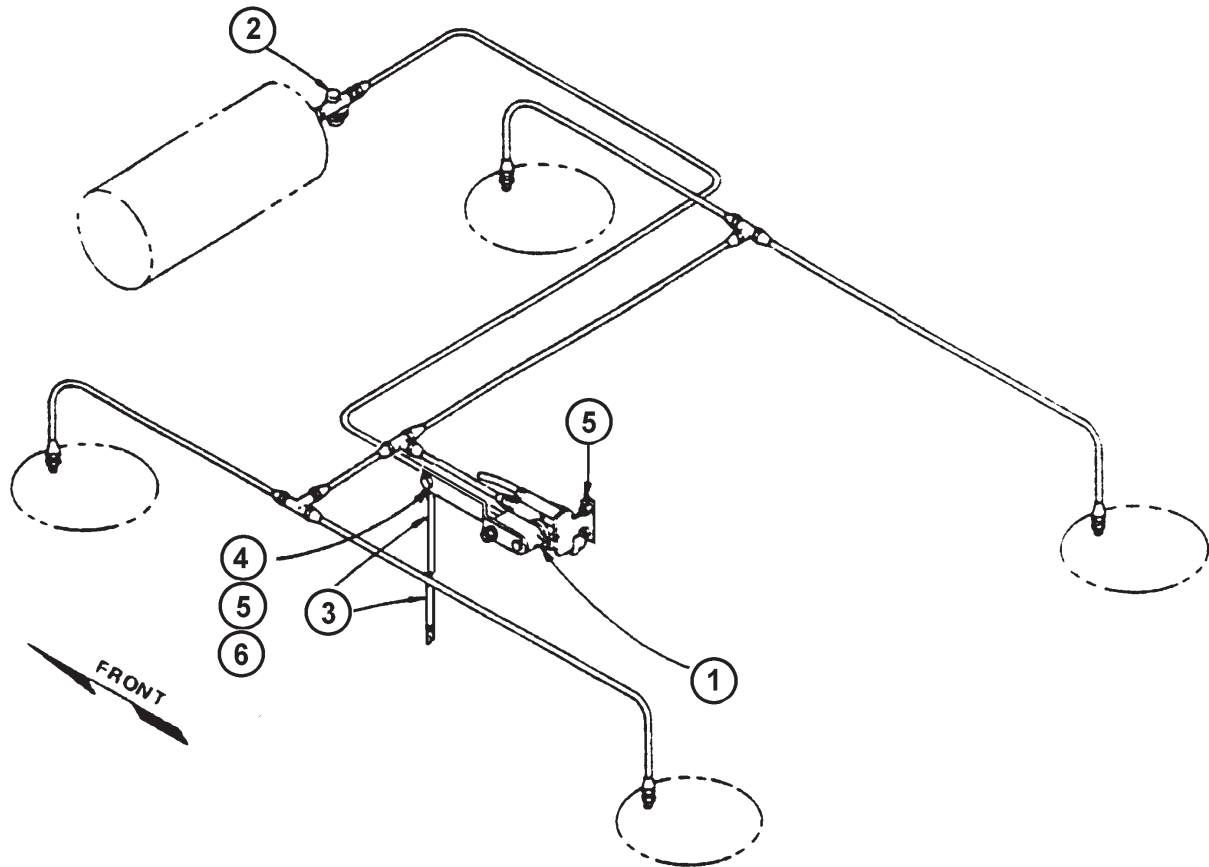
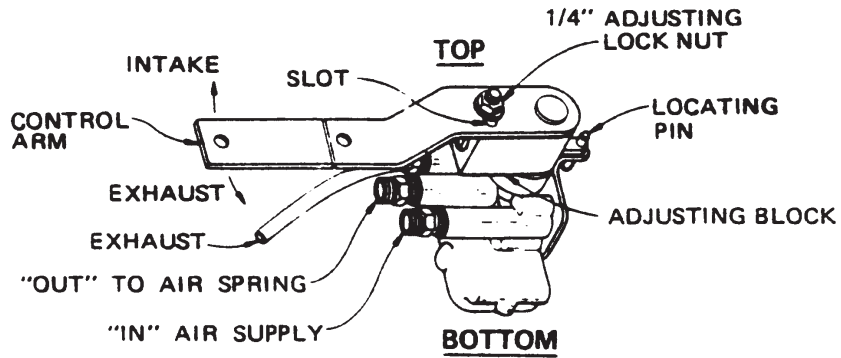


Figure 1-23 Air Control Kit

AIR CONTROL KIT (USED W/ RLU-250 SUSPENSION)

ITEM	PART NO.	DESCRIPTION	QTY.
	102732	AIR CONTROL KIT NEWAY	
1	900 54 007	HEIGHT CONTROL VALVE	1
2	905 54 107	AIR PRESSURE PROTECTION VALVE & FILTER	1
3	111021	SRK - 167 KIT (ADJ. LINK ASSY)	1
4	1-654-010047-04	SCREW, HEX HEAD CAP 1/4-20 X 3/4 GR5	2
5	1-512-010005-01	NUT, HEX LOCK 1/4-20 GRB	2
6	941 00 119	DECAL (OPERATING)	1
7	941 00 466	HEIGHT CONTROL INSTRUCTIONS (NOT SHOWN)	1

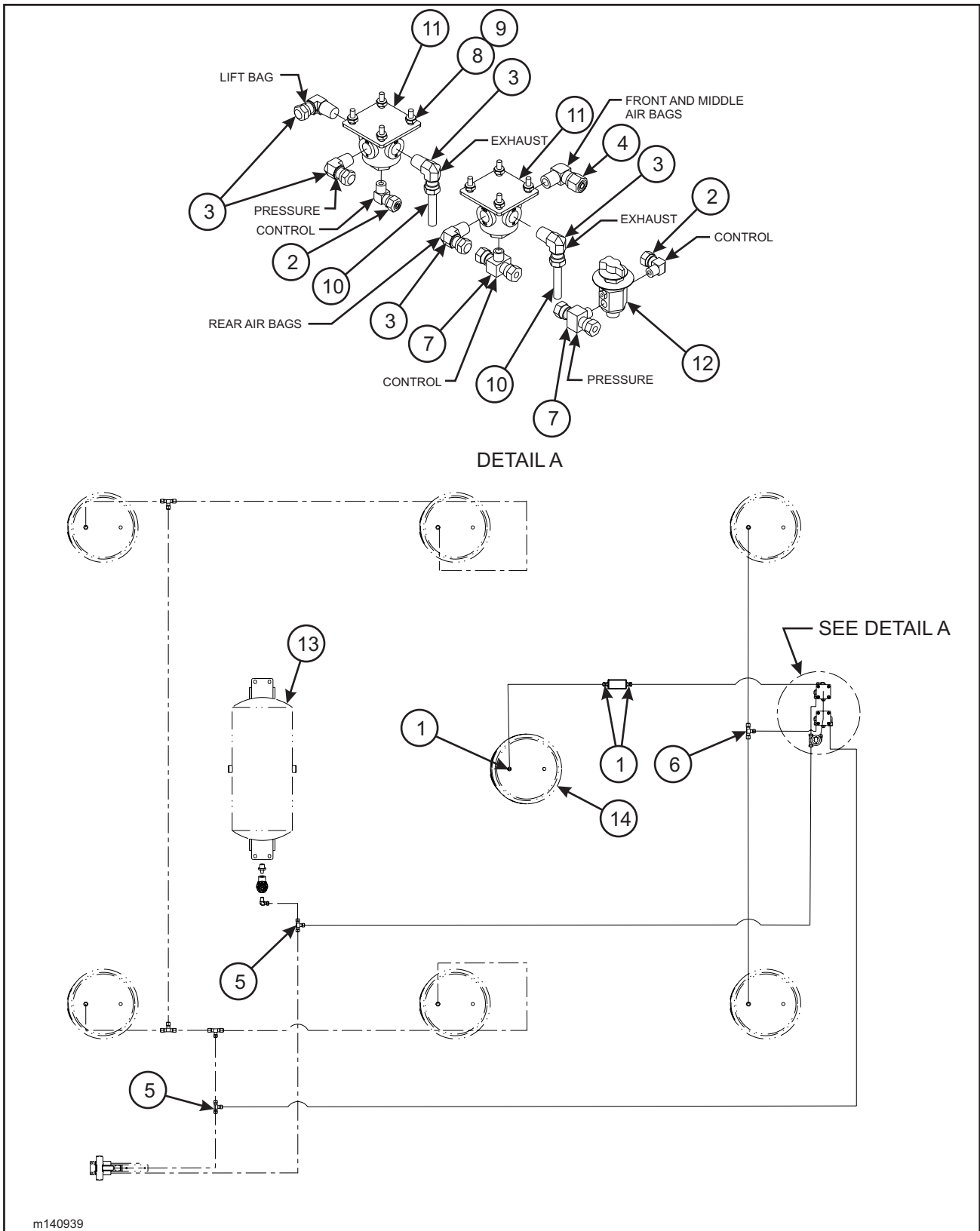


Figure 1-24 Axle Lift Control Assembly

AXLE LIFT CONTROL ASSEMBLY

ITEM	PART NO.	DESCRIPTION	QTY.
	140939	AXLE LIFT CONTROL ASSEMBLY	
1	1-297-010007-05	FITTING, AIR	3
2	1-297-010008-05	FITTING, AIR 90	2
3	1-297-010008-07	FITTING, AIR 90	5
4	1-297-010008-18	FITTING, AIR 90	1
5	1-297-010010-01	FITTING, AIR TEE	2
6	1-297-010010-04	FITTING, AIR TEE	1
7	1-297-010015-02	FITTING, AIR BR TEE	2
8	1-512-010003-06	NUT, HEX LOCK #10-24	8
9	1-656-010003051	SCREW, RD HEAD MACH #10-24 X 3/4	8
10	1-833-010001	TUBING, NYLON	AR
11	900-54-079	PILOT VALVE	REF
12	900-54-088	VALVE, AIR RIDE CONTROL	REF
13	112193	AIR RIDE PLUMBING INSTALLATION (SEE PAGE 1-33)	REF
14	112953	AIR CONTROL KIT FOR LIFT AXLE (INCL ITEMS 11 & 12)	1

**AC-77-M-1 AND AC-77-S-1
OPERATING INSTRUCTIONS**

NORMAL HIGHWAY OPERATION

When vehicle is in motion, switch must be in "off" position for normal height control valve automatic operation.

LOWERING

To lower vehicle place switch in "on" position.

90044207

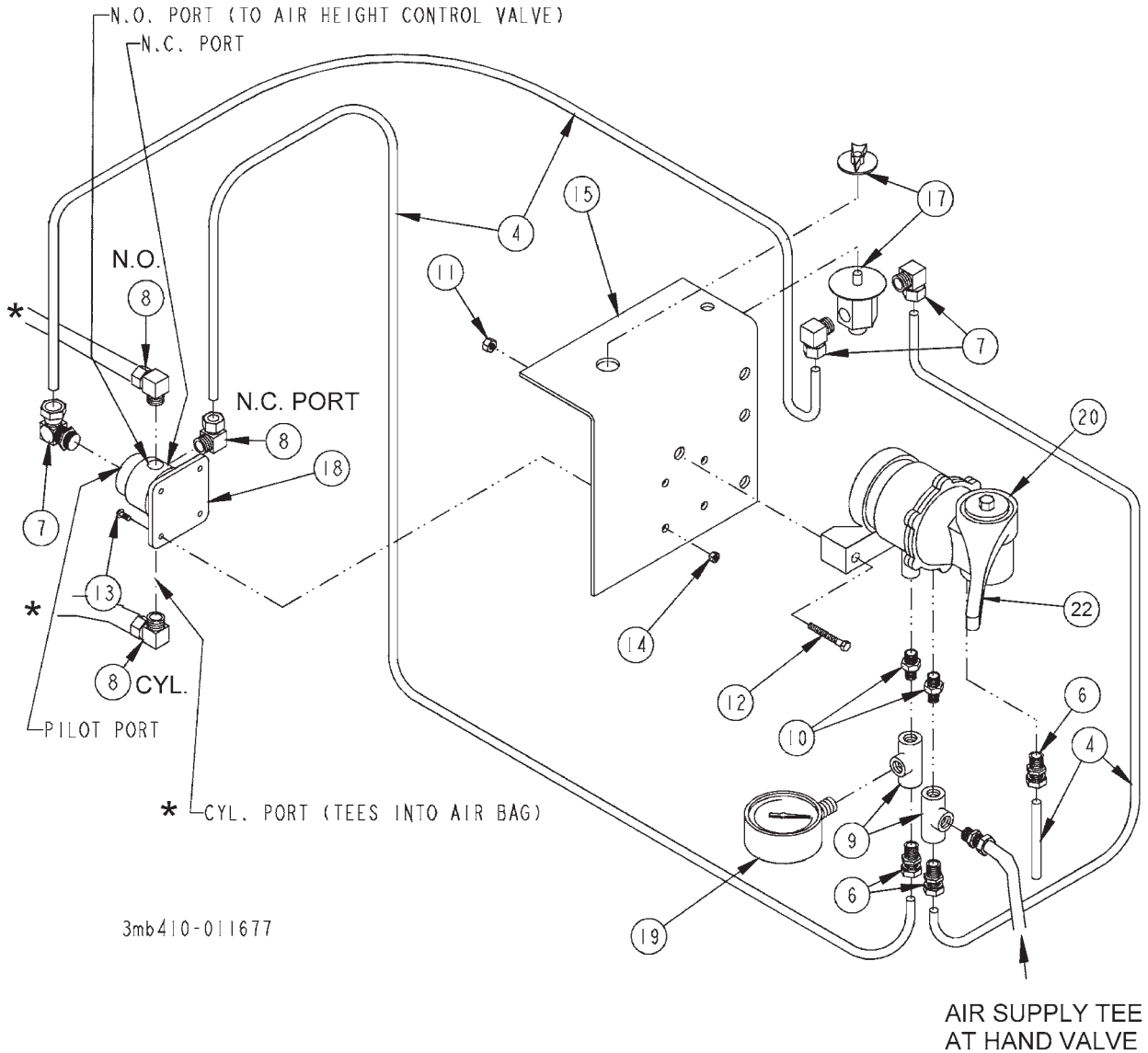


Figure 1-25 Manual Air Height Control Assembly (Option)

MANUAL AIR HEIGHT CONTROL ASSEMBLY (OPTION)

ITEM	PART NO.	DESCRIPTION	QTY.
	112326	CONTROL ASSEMBLY, AIR R/L	
1	*1-297-010010-01	FITTING, AIR UNION TEE 1/4 (NOT SHOWN)	1
2	**1-512-010005-03	NUT, HEX LOCK 5/16-18 GRB (NOT SHOWN)	3
3	**1-654-010049-05	SCREW, HEX HEAD CAP 5/16-18 X 1 GR (NOT SHOWN)	3
4	1-833-010001	NYLON TUBING 1/4	AR
5	**1-861-010032-09	WASHER, FLAT 5/16 (NOT SHOWN)	3
6	1-297-010007-05	FITTING, AIR	2
7	1-297-010008-05	FITTING, AIR 90	3
8	1-297-010008-07	FITTING, AIR 90	5
9	1-297-010009-02	FITTING, AIR PIPE TEE 1/4	2
10	1-297-010020-02	FITTING, BRASS PIPE	2
11	1-512-010005-03	NUT, HEX LOCK 5/16-18 GRB	2
12	1-654-010049-06	SCREW, HEX HEAD CAP 5/16-18 X 1-1/4 GR5	2
13	1-656-010003051	SCREW, RD HEAD MACH #10-24 X 3/4	4
14	1-512-010003-06	NUT, HEX LOCK 10-24	4
15	112324	PLATE, MOUNTING AIR LIFT KIT	1
16	112325	AIR CONTROL KIT MANUAL (INCL ITEMS 17-21)	1
17	900-54-088	VALVE, MANUALLY OPERATED	1
	900-54-211	KNOB FOR 900-54-088	1
18	900-54-079	PILOT VALVE	1
19	900-54-280	AIR GAUGE	1
20	900-54-082	HAND CONTROL VALVE	1
21	900-44-206	DECAL (NOT SHOWN)	1
22	105390	HANDLE REPLACEMENT MANUAL HEIGHT CONTROL	1

* USED TO CONNECT HEIGHT CONTROL ASSEMBLY TO AIR RIDE SYSTEM

** USED TO CONNECT HEIGHT CONTROL ASSEMBLY TO THE TRAILER FRAME

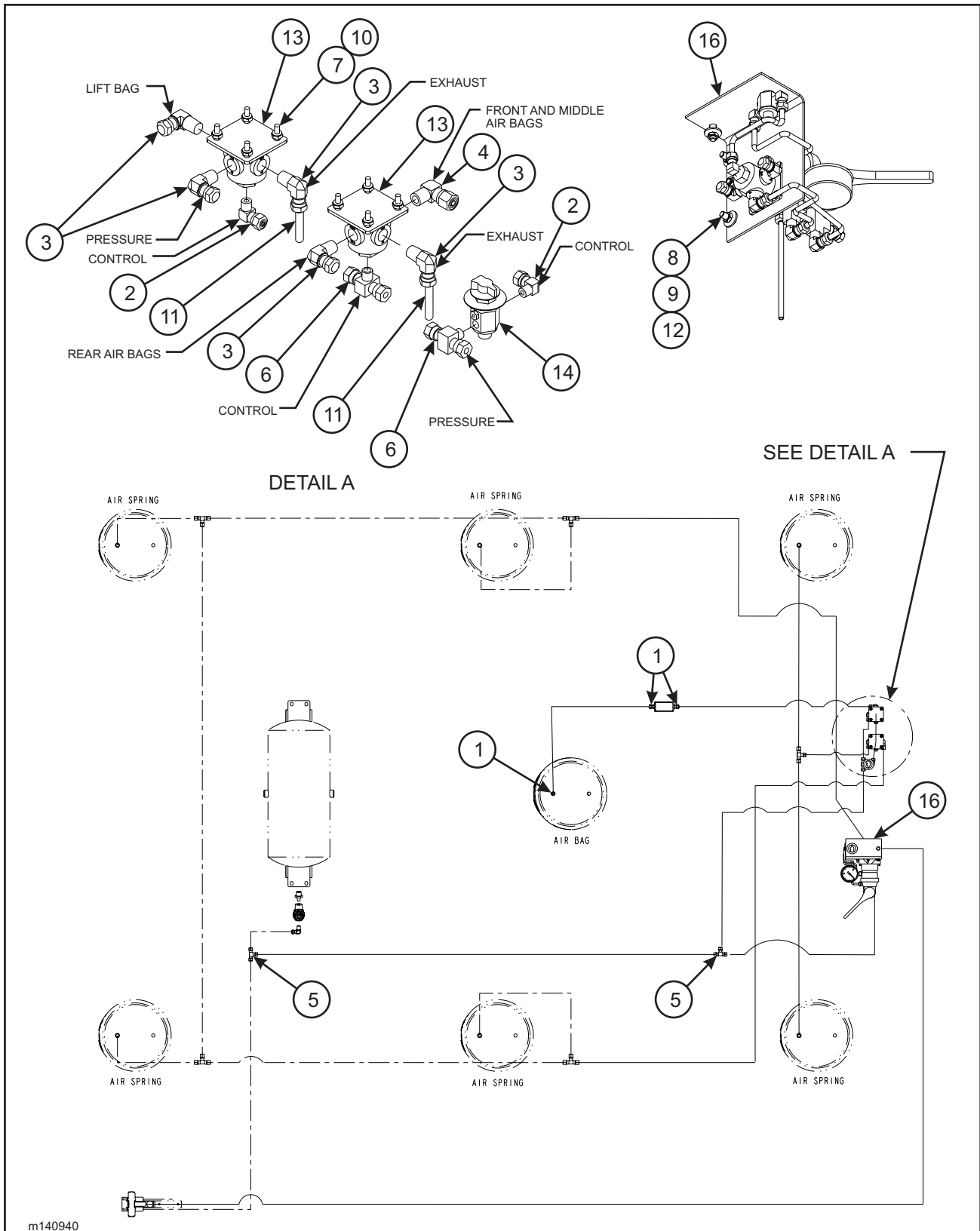


Figure 1-26 Axle Lift & R/L Control Assembly

AXLE LIFT & R/L CONTROL ASSEMBLY

ITEM	PART NO.	DESCRIPTION	QTY.
	140940	AXLE LIFT CONTROL ASSEMBLY	
1	1-297-010007-05	FITTING, AIR	3
2	1-297-010008-05	FITTING, AIR 90	2
3	1-297-010008-07	FITTING, AIR 90	5
4	1-297-010008-18	FITTING, AIR 90	1
5	1-297-010010-01	FITTING, AIR TEE	2
6	1-297-010015-02	FITTING, AIR BR TEE	2
7	1-512-010003-06	NUT, HEX LOCK #10-24	8
8	1-512-010005-03	NUT, HEX LOCK 5/16-18 GRB	3
9	1-654-010049-05	SCREW, HEX HEAD CAP 5/16-18 X 1 GR5	3
10	1-656-010003051	SCREW, RD HEAD MACH #10-24 X 3/4	8
11	1-833-010001	TUBING, NYLON	AR
12	1-861-010032-09	WASHER, FLAT 5/16W	3
13	900-54-079	PILOT VALVE	REF
14	900-54-088	VALVE, AIR RIDE CONTROL	REF
15	112193	AIR RIDE PLUMBING INSTALLATION (SEE PAGE 1-33)	REF
16	112326	CONTROL ASSEMBLY, AIR R/L	1
17	112953	AIR CONTROL KIT FOR LIFT AXLE (INCL ITEMS 13 & 14)	1

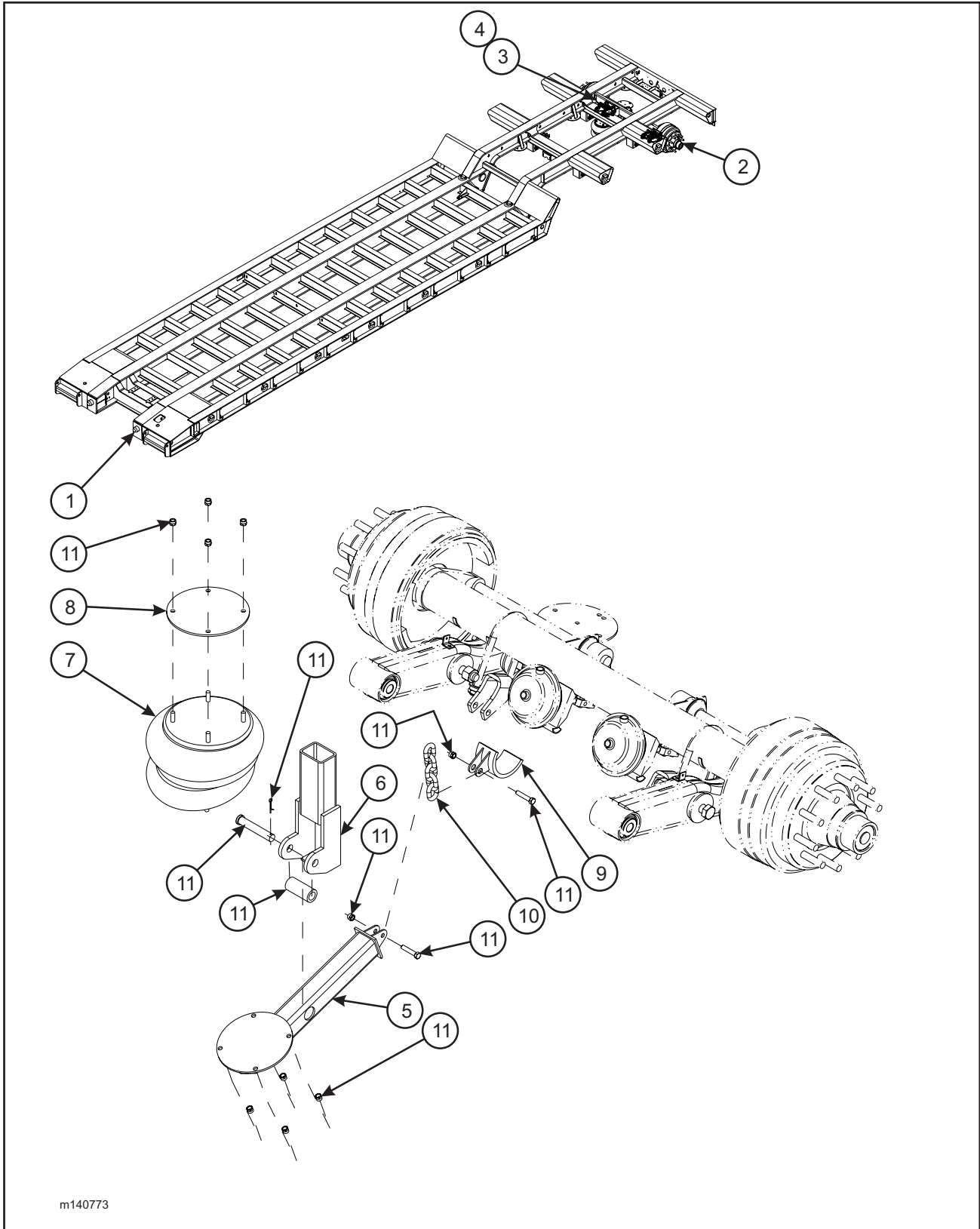
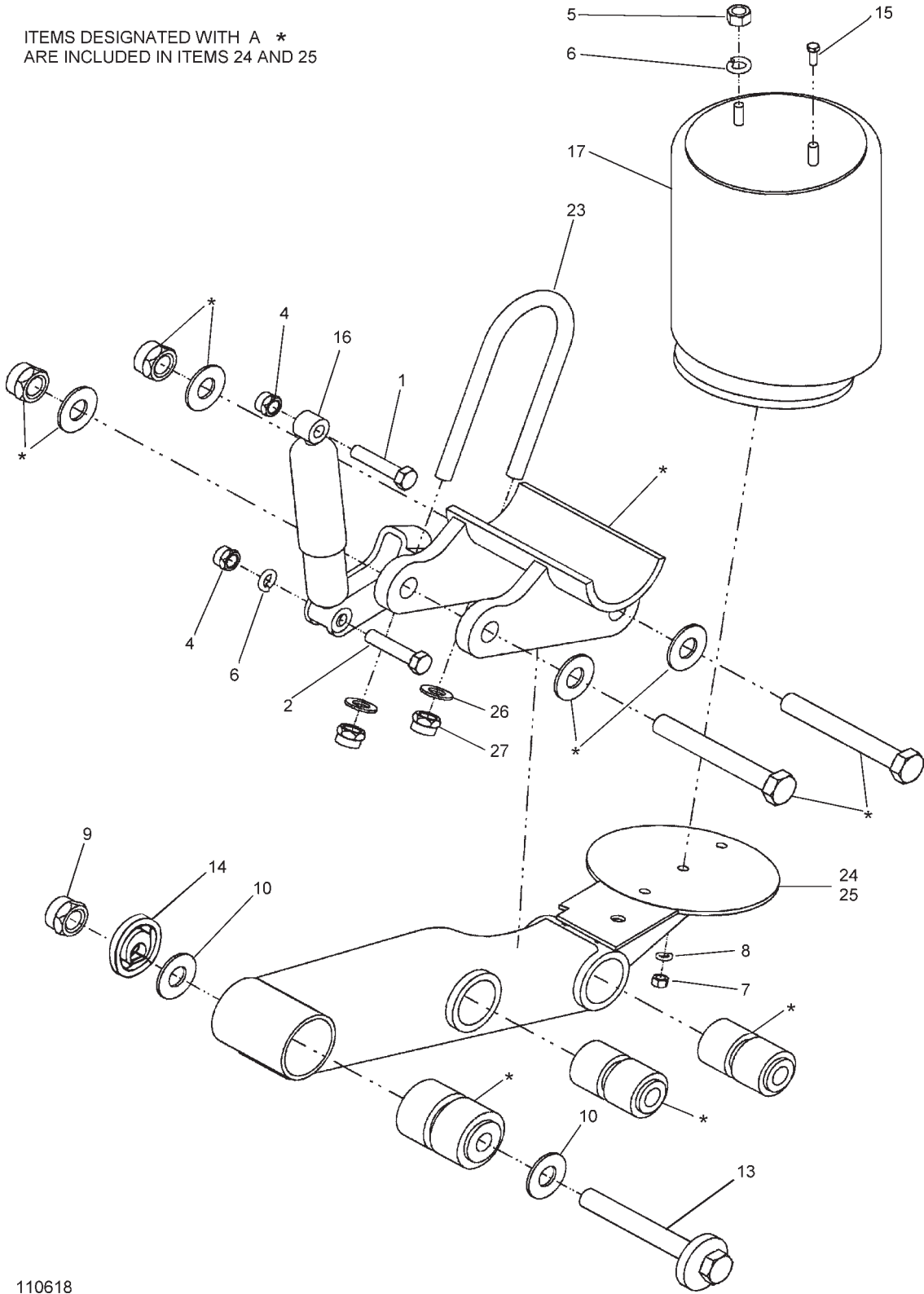


Figure 1-27 Rear Suspension Lift Modification

REAR SUSPENSION LIFT MODIFICATION

ITEM	PART NO.	DESCRIPTION	QTY.
	140773	REAR SUSPENSION LIFT MODIFICATION	
1	-----	FRAME WELDMENT	REF
2	140450	REAR SUSPENSION AIR LIFT ASSEMBLY (INCL ITEMS 5-13)	1
3	140772	REAR X-MEMBER	1
4	140774	BRACE FOR REAR SUSPENSION LIFT	2
5	90516762	BEAM LIFT BRACKET	1
6	90520918	BRACKET LIFT ASSEMBLY	1
7	90557203	AIR SPRING	1
8	90031027	PLATE, AIR SPRING MOUNTING	1
9	90501341	AXLE BRACKET	1
10	90044130	CHAIN	1
11	11005066	FASTENER KIT	1
12	90554676	VALVE REGULATOR ASSEMBLY (NOT SHOWN)	1
13	XM-44000065	CENTER BAG LIFT LITERATURE KIT (NOT SHOWN)	1

ITEMS DESIGNATED WITH A *
ARE INCLUDED IN ITEMS 24 AND 25



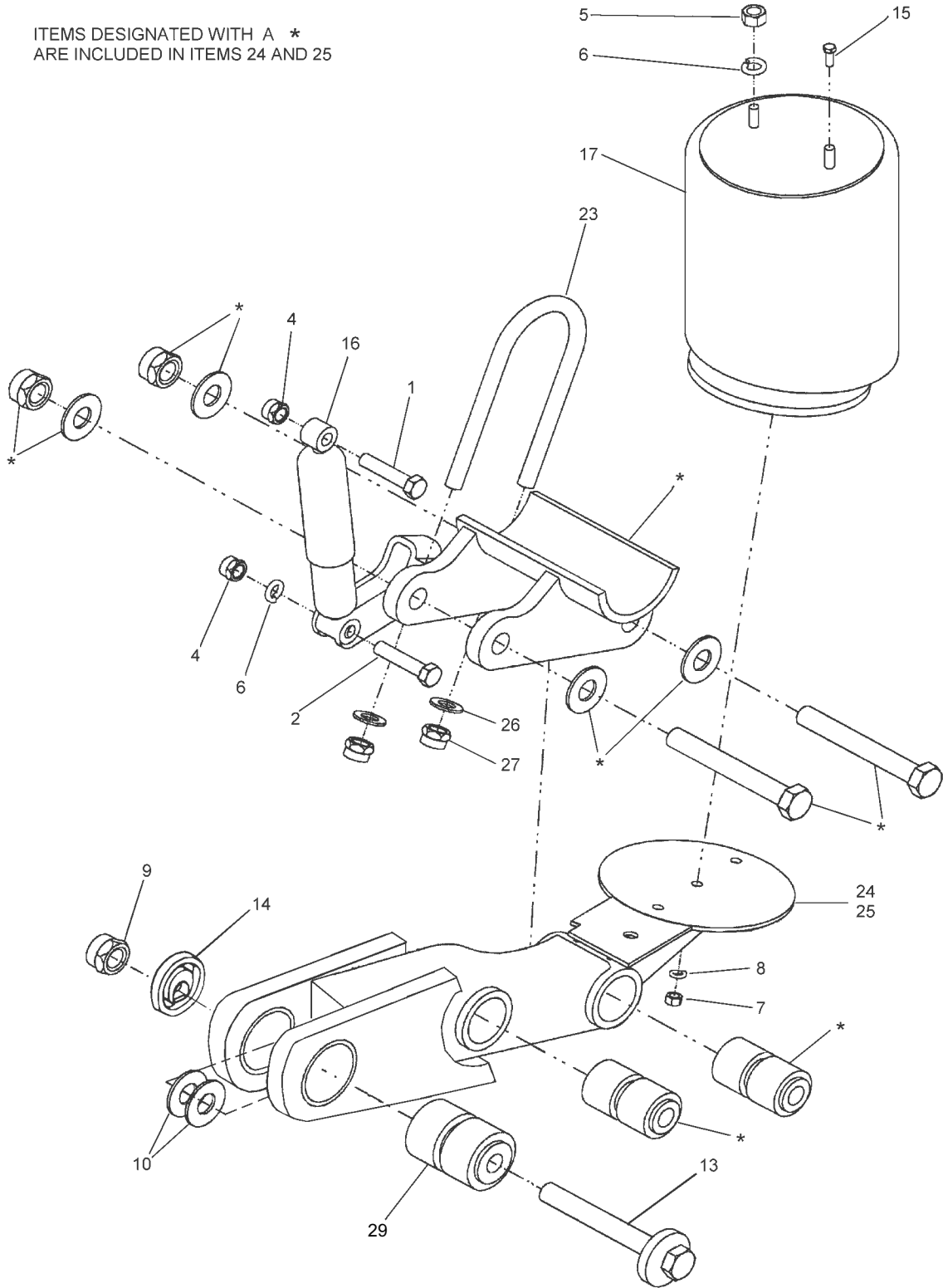
110618

Figure 1-28 Suspension, Fastener RLU-250-9-4

SUSPENSION HANGER RLU 250-9-4

ITEM	PART NO.	DESCRIPTION	QTY
	110618	SUSPENSION, FASTENER RLU 250-9-4	
	110616	SUSPENSION, BEAM RLU 250-9-4 (ITEMS 23-28)	
1	105408	SCREW HEX HEAD CAP 3/4-10 X 3-1/2 (UPR SHK BRKT)	2
2	1-654-010061-13	SCREW HEX HEAD CAP 3/4-10 X 4 GR5 (LWR SHK BRKT)	2
4	1-512-010005-15	NUT, HEX LOCK 3/4-10 GRB (UPR/LWR SHCK BRACKET)	4
5	934-00-149	NUT, HEX .75-16 GRB (UPPER AIR SPRING)	2
6	936-00-077	WASHER LOCK .78 (UPPER AIR SPRING)	2
7	1-512-010007-09	NUT, HEX 1/2-13 GRB (LOWER AIR SPRING)	2
8	1-861-010034-13	WASHER, SPLIT LOCK 1/2 (LOWER AIR SPRING)	2
9	934-00-506	NUT, HEX LOCK 1-1/8-7 GRC (FRAME BRACKET)	2
10	111010	WASHER, FLAT 1.141	4
13	905-08-019	ALIGNMENT BLOCK ASSEMBLY (FRAME BRACKET)	2
14	905-08-238	ALIGNMENT BLOCK NON-WELD (FRAME BRACKET)	2
15	1-654-010051-05	SCREW, HEX HEAD CAP 3/8-16 X 1 GR5 (UPR AIR SPG)	2
16	900-44-162	SHOCK	2
17	111036	AIR SPRING	2
19	941-00-684	LITERATURE SPECIFICATIONS NS-65-84 (NOT SHOWN)	1
20	941-00-685	LITERATURE SPECIFICATIONS NS-65-78 (NOT SHOWN)	1
21	941-00-648	LITERATURE FORM 684 (NOT SHOWN)	1
22	941-00-590	LITERATURE LABEL (NOT SHOWN)	1
23	111033	U-BOLT .875-9 X 11 GR8	2
24	111030	BEAM EQUALIZING ASSY W/ AXLE ADAPTER RH	1
25	111031	BEAM EQUALIZING ASSY W/ AXLE ADAPTER LH	1
26	936-00-162	WASHER FLAT .88	4
27	934-00-498	NUT, HEX LOCK .875-9 GRC	4
28	941-00-832	LITERATURE AXLE WELDING (NOT SHOWN)	1
	110-05-099	FASTENER KIT (INCL. ITEMS 1-22)	1

ITEMS DESIGNATED WITH A *
ARE INCLUDED IN ITEMS 24 AND 25



110622

Figure 1-29 Suspension Fastener, AR-80-9 FMT

SUSPENSION HANGER RLU 250 FMT

ITEM	PART NO.	DESCRIPTION	QTY
	110622	SUSPENSION, FASTENER RLU 250 FMT	
	167391	SUSPENSION, BEAM RLU 250 FMT (INCL ITEMS 23-28)	
1	105408	SCREW HEX HEAD CAP 3/4-10 X 3-1/2 (UPR SHK BRKT)	2
2	1-654-010061-13	SCREW HEX HEAD CAP 3/4-10 X 4 GR5 (LWR SHK BRKT)	2
4	1-512-010005-15	NUT, HEX LOCK .75-10 GRB (UPR/LWR SHCK BRACKET)	4
5	934-00-149	NUT, HEX .75-16 GRB (UPPER AIR SPRING)	2
6	936-00-077	WASHER, LOCK .78 (UPR AIR SPG/LWR SHOCK BRKT)	2
7	1-512-010007-09	NUT, HEX 1/2-13 GRB (LOWER AIR SPRING)	2
8	1-861-010034-13	WASHER, SPLIT LOCK 1/2 GRB (LOWER AIR SPRING)	2
9	934-00-506	LOCK NUT 1.125-7 GRC	2
10	111037	WEAR WASHER 1.125	4
13	111038	ALIGNMENT BLOCK ASSEMBLY (PIVOT)	2
14	90008186	ALIGNMENT BLOCK NON-WELD (PIVOT)	2
15	1-654-010051-05	SCREW, HEX HEAD CAP 3/8-16 X 1 GR5 (UPR AIR SPG)	2
16	900-44-162	SHOCK	2
17	111036	AIR SPRING	2
20	94100687	LITERATURE SPECIFICATIONS NS-65-84 (NOT SHOWN)	1
21	94100790	LITERATURE LABEL (NOT SHOWN)	1
23	111033	U-BOLT .875-9 X 11 GR8	2
24	191588	BEAM EQUALIZING W/ ADAPTERS RH NON-WELD	1
25	191589	BEAM EQUALIZING W/ ADAPTERS LH	1
26	936-00-162	WASHER FLAT .88	4
27	934-00-498	NUT, HEX LOCK .875-9 GRC	4
28	941-00-832	LITERATURE AXLE WELDING (NOT SHOWN)	1
	110-05-104	FASTENER KIT (INCL. ITEMS 1-21)	1
29	111029	BUSHING YOKE NEWAY	1

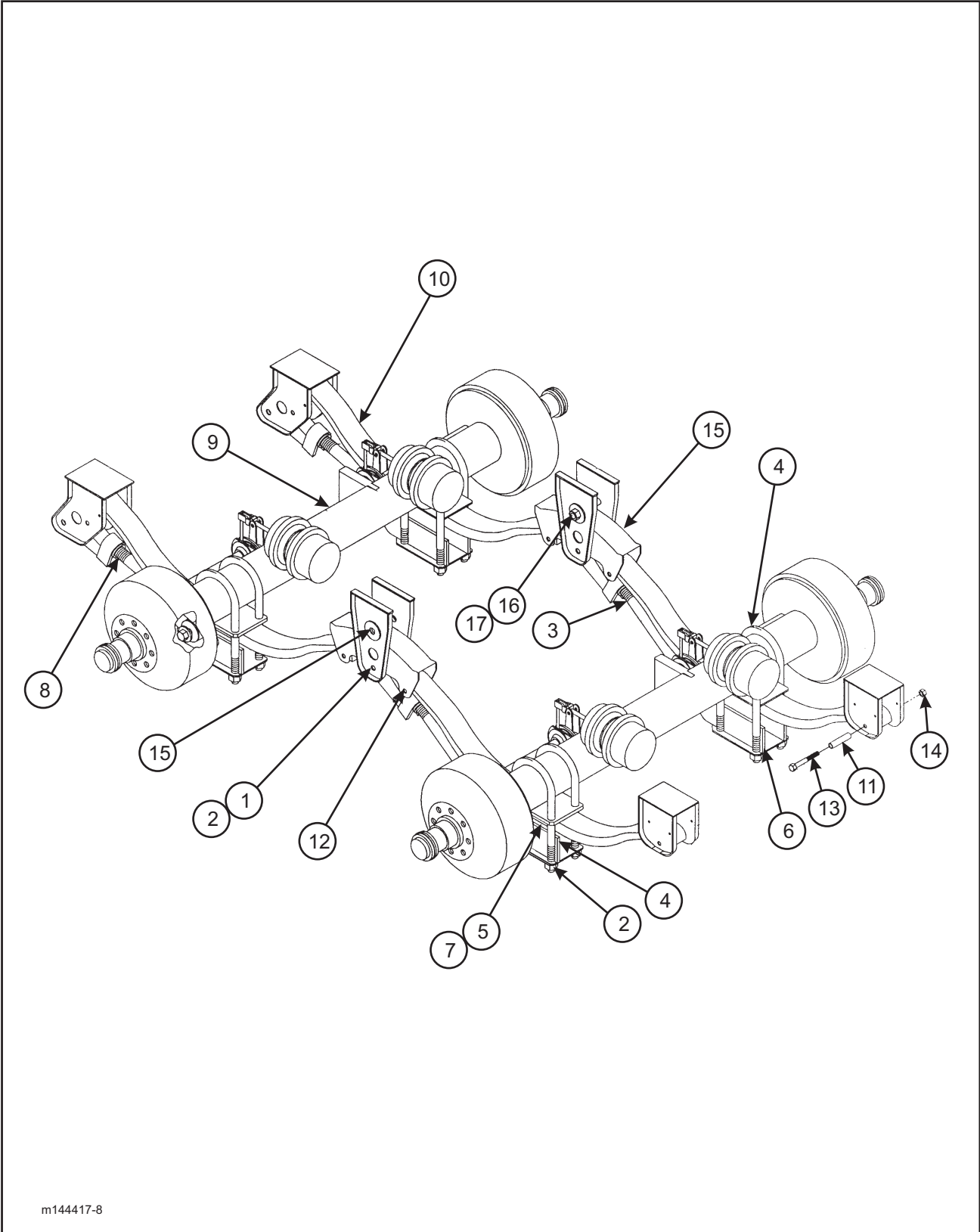
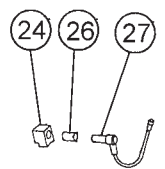
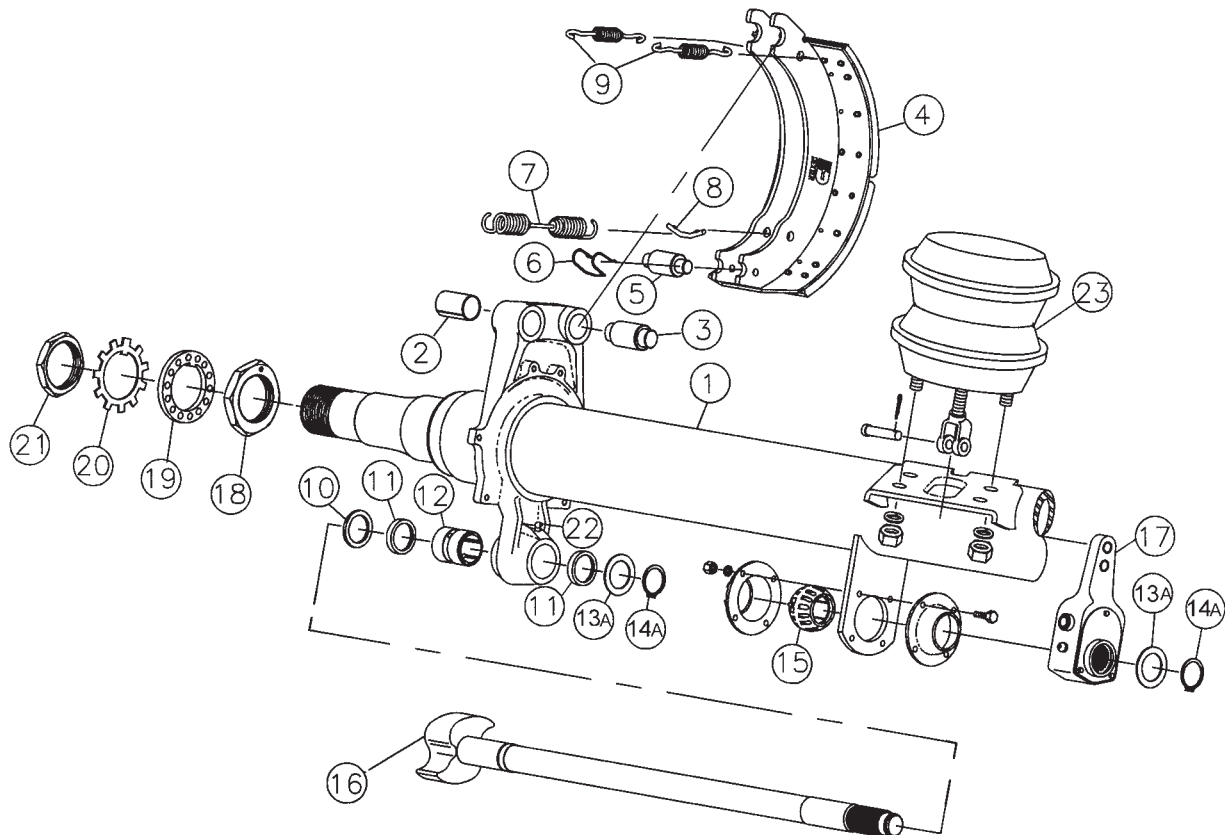


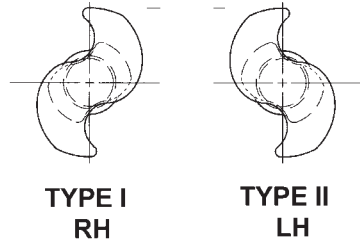
Figure 1-30 Spring Ride Suspension System

SUSPENSION ASSEMBLY - SPRING RIDE

ITEM	PART NO.	DESCRIPTION	QTY
	144417	SUSP. ASSEMBLY SPRING (ITEMS 1-10)	
	144418	SUSP. ASSEMBLY SPRING (ITEMS 1-10)	
	3-432-010007	KIT SUSPENSION ATTACHING PARTS (ITEMS 1-2, 11-17)	
1	0001-08	BOLT TORQUE ARM 7/8-14 X 5-1/4	2
2	0002-12	FLANGED LOCKNUT 7/8-14	10
3	0075-20	TORQUE ARM RIGID	1
4	0102-13	U-BOLT 13"	4
5	0375-00	DELTRIN LINER	2
6	0508-00	BOTTOM PLATE UNDERSLUNG	2
7	0647-01	AXLE SEAT	2
8	1035-20	TORQUE ARM ADJUSTABLE	1
9	115717	AXLE 79 16.5 X 7 SPG BRK 25K (SEE PAGE 1-51)	1
10	3-720-010030	SPRING, MONO LEAF HI ARCH	2
11	0741-01	ROLLER SPRING	2
12	0001-04	HEX HEAD CAP SCREW (TANDEM AXLE ONLY)	4
13	0001-02	HEX HEAD CAP SCREW	2
14	0002-07	LOCK NUT, HEX	2
15	0650-00	EQUALIZER BEAM ASSEMBLY (TANDEM AXLE ONLY)	2
16	0001-14	EQUALIZER BOLT (TANDEM AXLE ONLY)	2
17	0274-01	FLANGED LOCK NUT (TANDEM AXLE ONLY)	2
	3-432-010006	KIT AXLE SPRING ATTACHING PARTS (INCLUDES ITEMS 1-8)	



16-1/2" X 7"



VIEWED FROM HEAD END
 NOTE: RH does not necessarily correspond w/ RH side of trailer.

115712

Figure 1-31 Axle and Brake Assembly

AXLE ASSEMBLY (DEXTER)

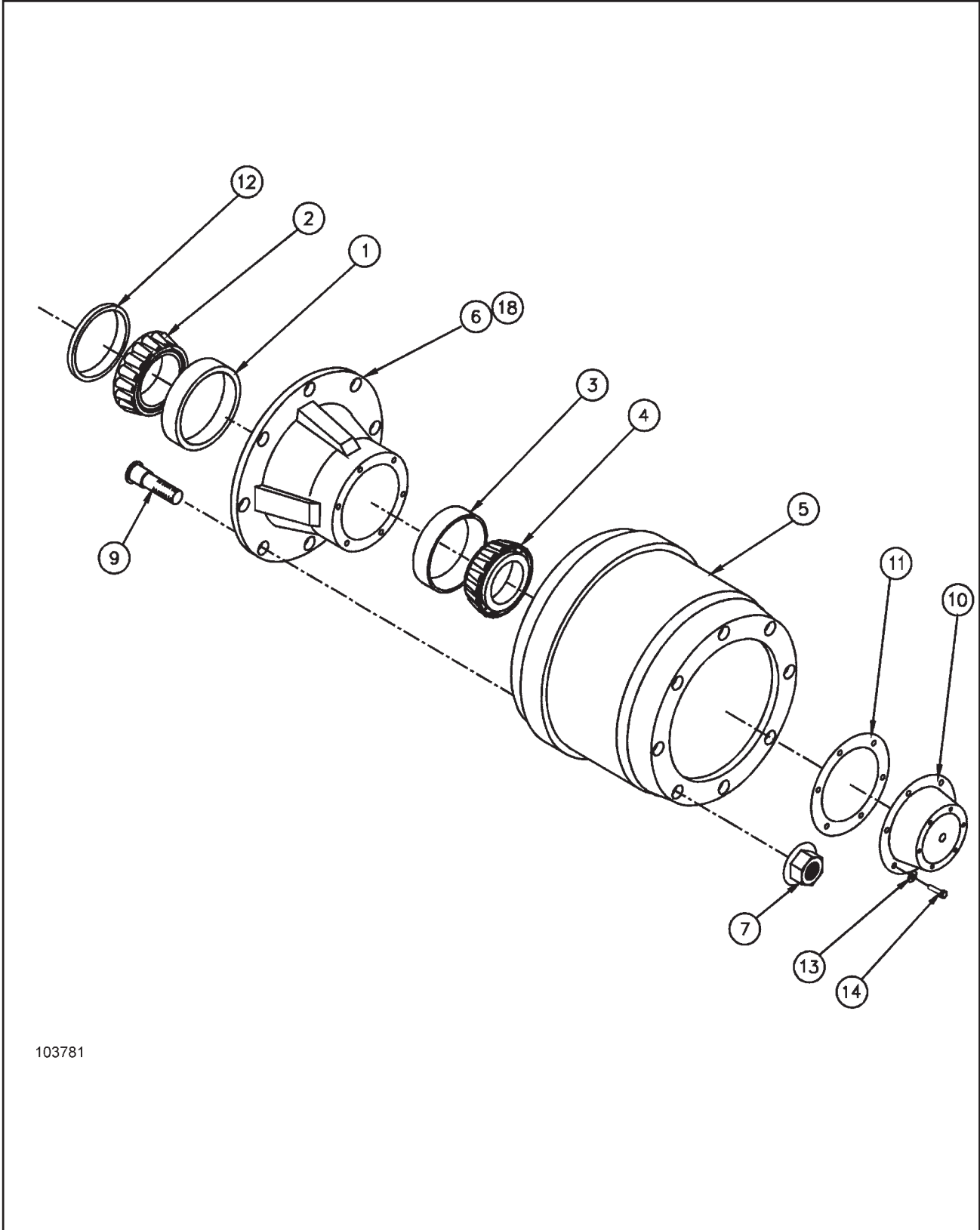
ITEM	PART NO.	DESCRIPTION	QTY. PER AXLE
	115717	AXLE 79" TRK, 16.5 X 7 SPG BRK 25K	
	115722	AXLE 79" TRK, 16.5 X 7 SER BRK 25K	
1	*D-2H16	BEAM	1
	**K71-136-00	BRAKE SHOE HDWR KIT (ITEMS 2, 3, 5, 6, 7, 8, & 9)	
2**	014-068-00	BUSHING - SPIDER ANCHOR PIN	4
3**	056-017-00	ANCHOR PIN	4
4	040-180-00	SHOE AND LINING ASSEMBLY	4
4A	041-058-01	LINING - BRAKE BLOCK CAM	4
4B	041-059-01	LINING - BRAKE BLOCK ANCHOR	4
	K71-138-00	BRAKE BLOCK KIT (ITEMS 4A,4B, & P/N 022-018-00 RIVETS)	2
5**	014-065-00	ROLLER	4
6**	071-122-00	RETAINER - ROLLER	4
7**	046-096-00	SPRING - SHOE RETRACTOR	2
8**	056-018-00	RETAINER PIN - RETRACTOR SPRING	4
9**	046-097-00	SPRING - SHOE KEEPER	4
	***K71-135-00	CAMSHAFT REPAIR KIT (ITEMS 10-15, & 22)	
10***	005-096-00	WASHER - CAMSHAFT	2
11***	010-052-00	GREASE SEAL	4
12***	014-056-00	BUSHING - CAMSHAFT SPIDER	2
13A***	005-134-00	WASHER - CAMSHAFT END	2
14A***	069-078-00	RETAINER CAMSHAFT END	2
15***	014-058-00	BUSHING - CAMSHAFT SUPPORT	2
16	034-192-08	CAMSHAFT, 25" LH	2
	034-193-08	CAMSHAFT, 25" RH	2
17	055-040-06	SLACK ADJUSTER - AUTOMATIC	2
18	006-114-00	NUT - INNER SPINDLE BEARING	2
19	005-098-00	LOCKWASHER - INDEXING	2
20	005-099-00	LOCKWASHER - TAB	2
21	006-115-00	NUT - OUTER SPINDLE	2
22***	061-006-00	GREASE FITTING 45°	2
23	034-058-01	AIR CHAMBER ASSEMBLY - SPRING BRAKE	2
	034-057-01	AIR CHAMBER ASSEMBLY - SERVICE BRAKE	
24	024-100-00	SENSOR BLOCK	2
26	097-002-00	RETAINER CLIP	2
27	097-003-00	ABS SENSOR 90	2

* WHEN ORDERING THE BEAM WITH SPINDLE, SPIDER AND BRACKETS ATTACHED, YOU WILL NEED THE BEAM NUMBER, TRACK LENGTH, BRAKE SIZE, AND CAMSHAFT LENGTH.

** THESE PARTS ARE AVAILABLE AS PART OF BRAKE SHOE HARDWARE KIT LISTED.

*** THESE PARTS ARE AVAILABLE AS PART OF CAMSHAFT REPAIR KIT P/N LISTED.

NOTE: FOR HUB AND DRUM INFORMATION, SEE PAGE 1-53.



103781

Figure 1-32 Outboard Pilot Mount Hub and Drum

OUTBOARD PILOT MOUNT HUB AND DRUM ASSEMBLY

ITEM	PART NO.	DESCRIPTION	QTY.
1	HM218210	INNER BEARING CUP	1
2	HM218248	INNER BEARING CONE	1
3	HM212011	OUTER BEARING CUP	1
4	HM212049	OUTER BEARING CONE	1
5	110976(66884)	OUTBOARD MOUNTED BRAKE DRUM	1
6	110975(2023----T)	HUB W/ STUDS	1
7	179933	NUT FLANGE MM22X1.5	10
9	101160	STUD R.H. 22X1.2	10
10	021-038-01 (4009)	CAP, HUB	1
11	071-124-00 (3067)	GASKET, OIL CAP	1
12	3-659-010012	SEAL	1
13	1-861-010034-10	WASHER, SPLIT LOCK 5/16	6
14	1-654-010049-03	SCREW, HEX HEAD CAP 5/16-18 GR5	6
15	3-870-010106	WHEEL, POLISHED ALUM PILOT MNT 22.5 X 7.50 (10 BOLT)	1
	111652	WHEEL, PILOT MNT 22.5 X 8.25, PP(10 BOLT) (ALUM COLOR.)	1
	3-870-010116	WHEEL, MACHINED ALUM PILOT MNT 22.5 X 7.50(10 BOLT)	1
	3-870-010110	WHEEL, DISC PILOT MNT 22.5 X 8.25 (10 BOLT)(STD. STEEL)	1
	111416	WHEEL, ALUMINUM PILOT 22.5 X 8.25 (10 BOLT) (NOT SHOWN)	1
16	TR573	VALVE STEM (NOT SHOWN)	1
	TR545D	VALVE STEM (ALUM.) (NOT SHOWN)	1
18	*	ABS TONE RING	1

* THIS PART SHOULD BE REPLACED IN CONJUNCTION WITH HUB ONLY. IT SHOULD NEVER BE SOLD SEPARATELY.

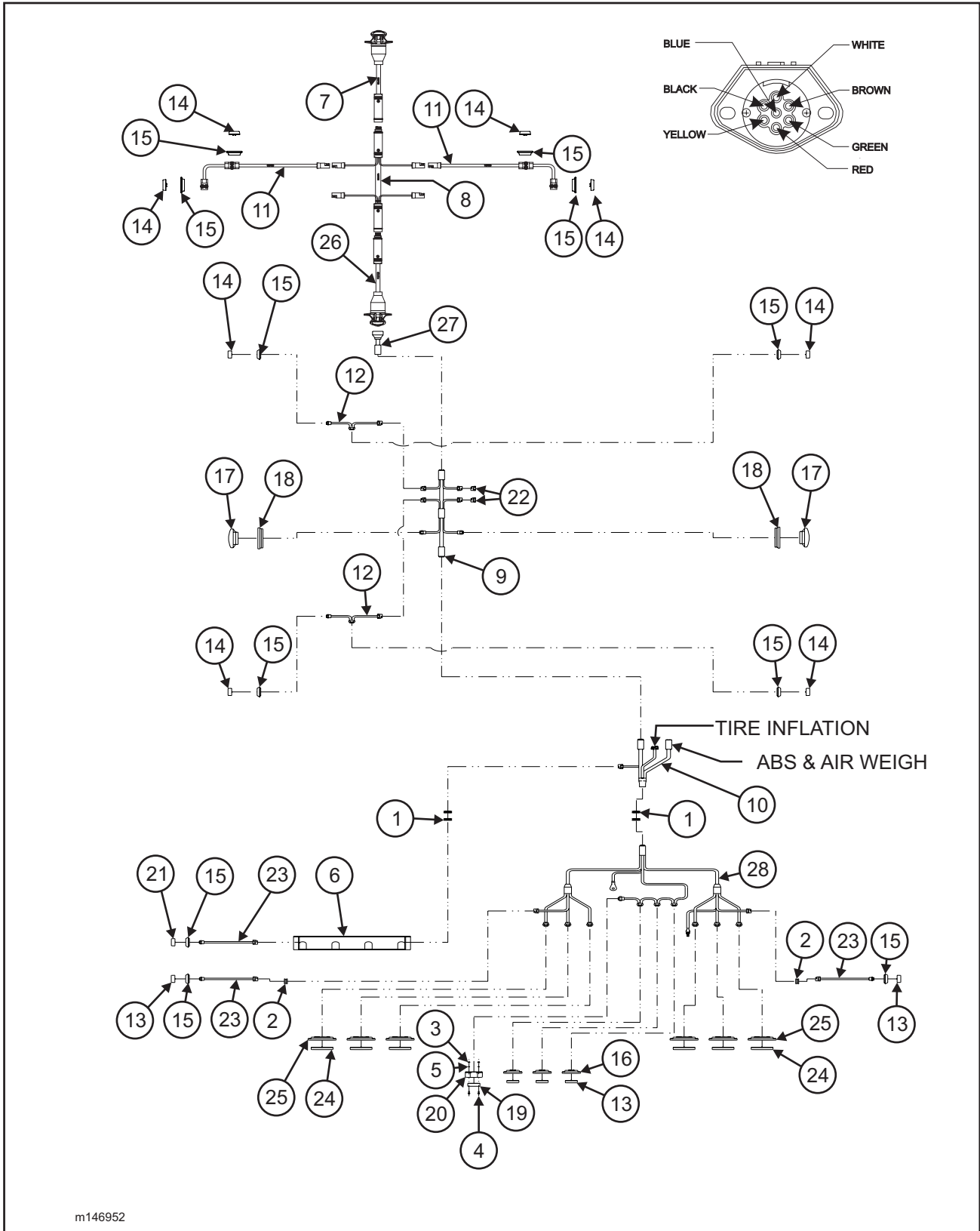


Figure 1-33 Electrical System

ELECTRICAL SYSTEM

ITEM	PART NO.	DESCRIPTION	QTY.
	146952	ELECTRICAL SYSTEM	
1	1-343-010006	GROMMET	4
2	1-343-010007	GROMMET	2
3	1-512-010007-03	NUT HEX 10-24	2
4	1-656-010003051	SCREW, RD HEAD MACH 10-24 X 3/4	2
5	1-861-010034-07	WASHER SPLIT LOCK NO. 10	2
6	104278	SHIELD, ABS LIGHT	1
7	143100	HARNESS, 7 WAY RECEPTACLE	1
8	143101	HARNESS, FRONT MAIN	1
9	143102	HARNESS, BED MAIN	1
10	143103	HARNESS, E-CHAIN	1
11	143105	HARNESS, MARKER FRONT CORNER	2
12	143106	HARNESS, MARKER FRONT BED	2
13	143108	LIGHT, RED LED 2.5 CL/MARKER	5
14	143109	LIGHT, YELLOW LED 2.5 CL/MARKER	*4,8
15	143110	GROMMET, 2.5 SURFACE MOUNT	*7,11
16	143111	GROMMET, 2.5 RECESSED MOUNT	3
17	143112	LIGHT, YEL AUX TURN	2
18	143114	GROMMET, OVAL	2
19	143117	LIGHT, CLEAR LED LICENSE	1
20	143118	BRACKET, LIGHT LICENSE	1
21	143119	LIGHT, YELLOW LED ABS	1
22	143121	DUMMY PLUG MALE/FEM BULLET	REF
23	144609	MARKER LAMP PIGTAIL HARNESS	3
24	144679	LIGHT RED LED 4" S/T/T	6
25	144680	GROMMET, 4" ROUND	6
26	146897	HARNESS, 7 WAY RECP REAR	1
27	146898	HARNESS, 7 WAY PLUG G/N	1
28	146926	HARNESS, BUMPER	1
29	3-395-010001	CF FIRE HOSE (NOT SHOWN)	AR

* 1ST QUANTITY IS NEEDED FOR ALL TRAILERS; 2ND QUANTITY INCLUDES PARTS NEEDED IF G/N HAS ATTACHED BED.

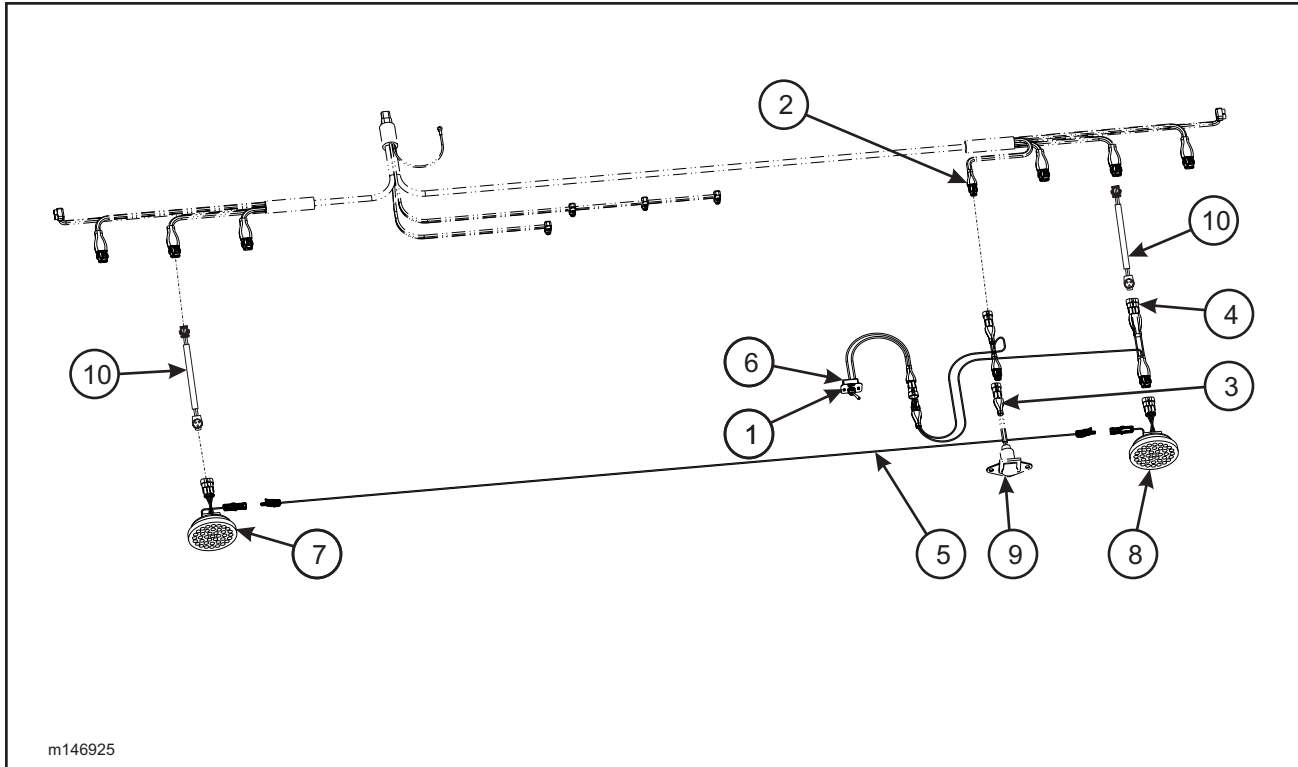


Figure 1-34 Strobe Bumper Mount Light Installation

STROBE BUMPER MOUNT LIGHT INSTALLATION

ITEM	PART NO.	DESCRIPTION	QTY.
	146925	STROBE BUMPER MOUNT LIGHT INSTALLATION	
1	130116	DECAL, ON/OFF LIGHT	1
2	146926	HARNESS, REAR MOD	REF
3	140019	HARNESS ASSEMBLY, REAR 4 WAY RECEPTACLE	REF
4	140020	HARNESS JUMPER STROBE LIGHT	1
5	140021	HARNESS JUMPER, SYNC STROBE	1
6	140022	SWITCH ASSEMBLY, STROBE LIGHT	1
7	130521	LIGHT, STROBE	1
8	130522	LIGHT, STROBE	1
9	3-272-010003	4 POLE ELECTRICAL FEMALE CONNECTOR	REF
10	146927	ADAPTER, PLUG	2

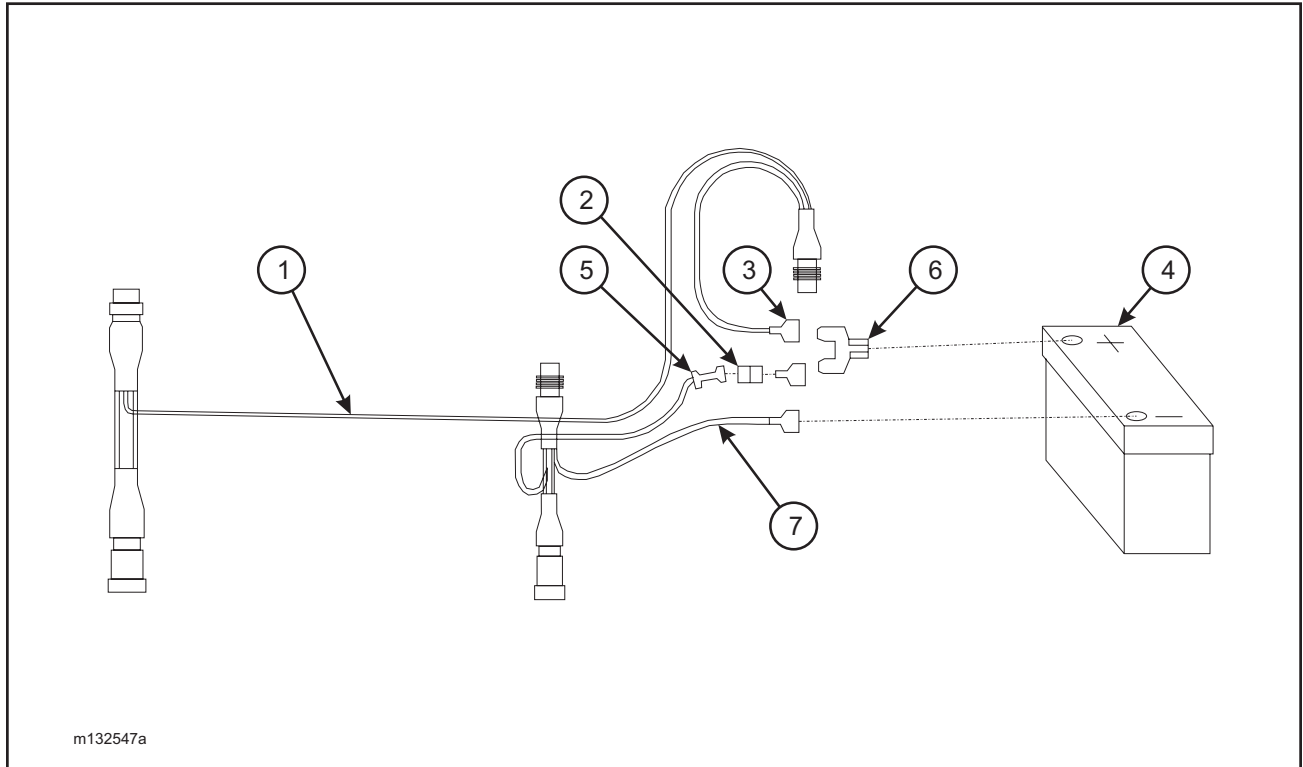


Figure 1-35 Battery Backup Bumper Strobe Light

BATTERY BACKUP BUMPER STROBE LIGHT

ITEM	PART NO.	DESCRIPTION	QTY.
	132547	BATTERY BACKUP BUMPER STROBE LIGHT	
1	140020	HARNESS, JUMPER STROBE LIGHT	REF
2	2-272-010109	DIODE, ZENOR 20 V 5 WATT	1
3	239-3650-1	TERMINAL FEMALE SLIP ON	3
4	3-128-010032	BATTERY BRAKE-AWAY	1
5	3-272-010021	ELECTRICAL BUTT SPLICE	2
6	3-272-010157	ELECTRICAL ADAPTER CHAIR	1
7	1-879-010010	WIRE, 14 AWG WHITE	AR

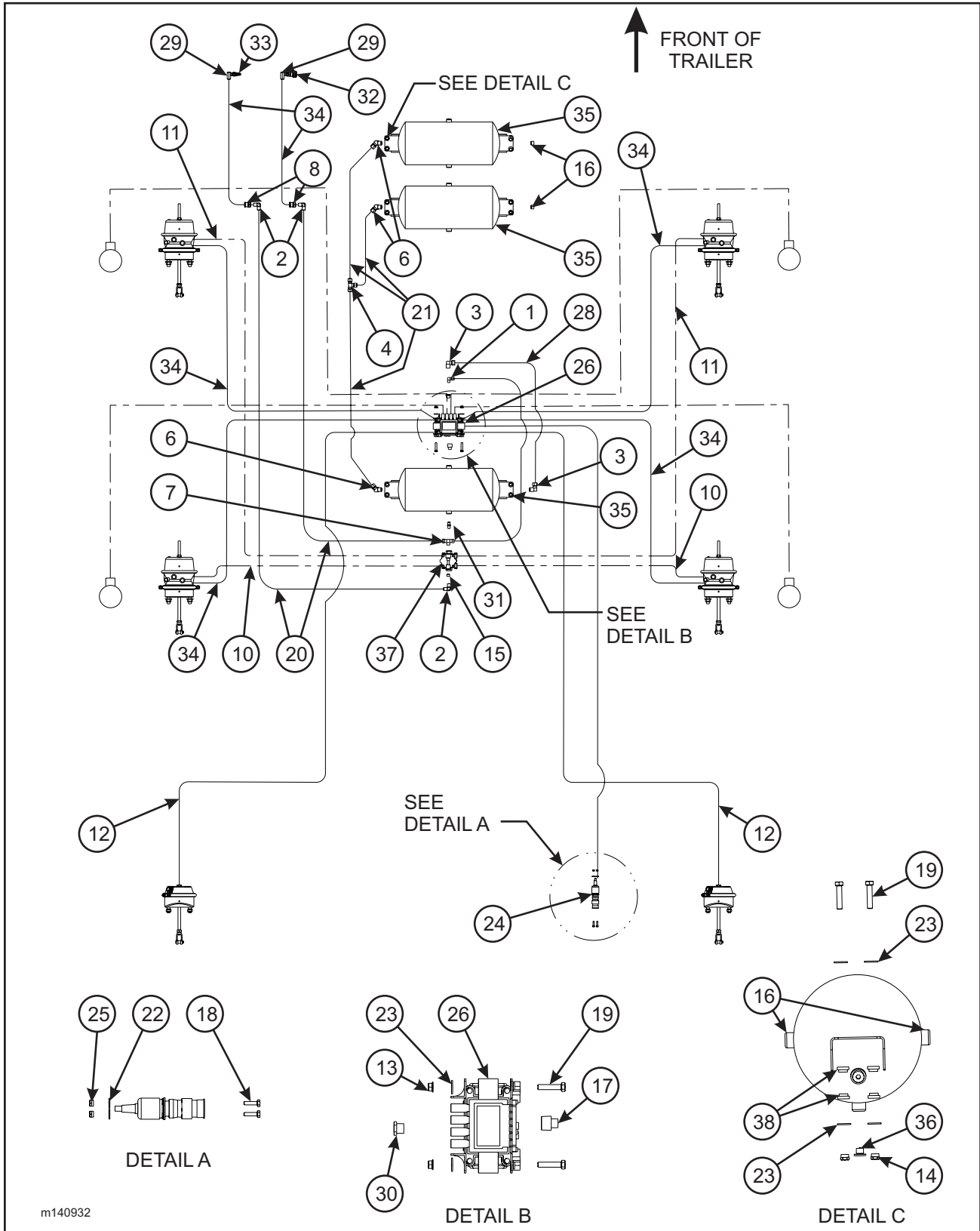
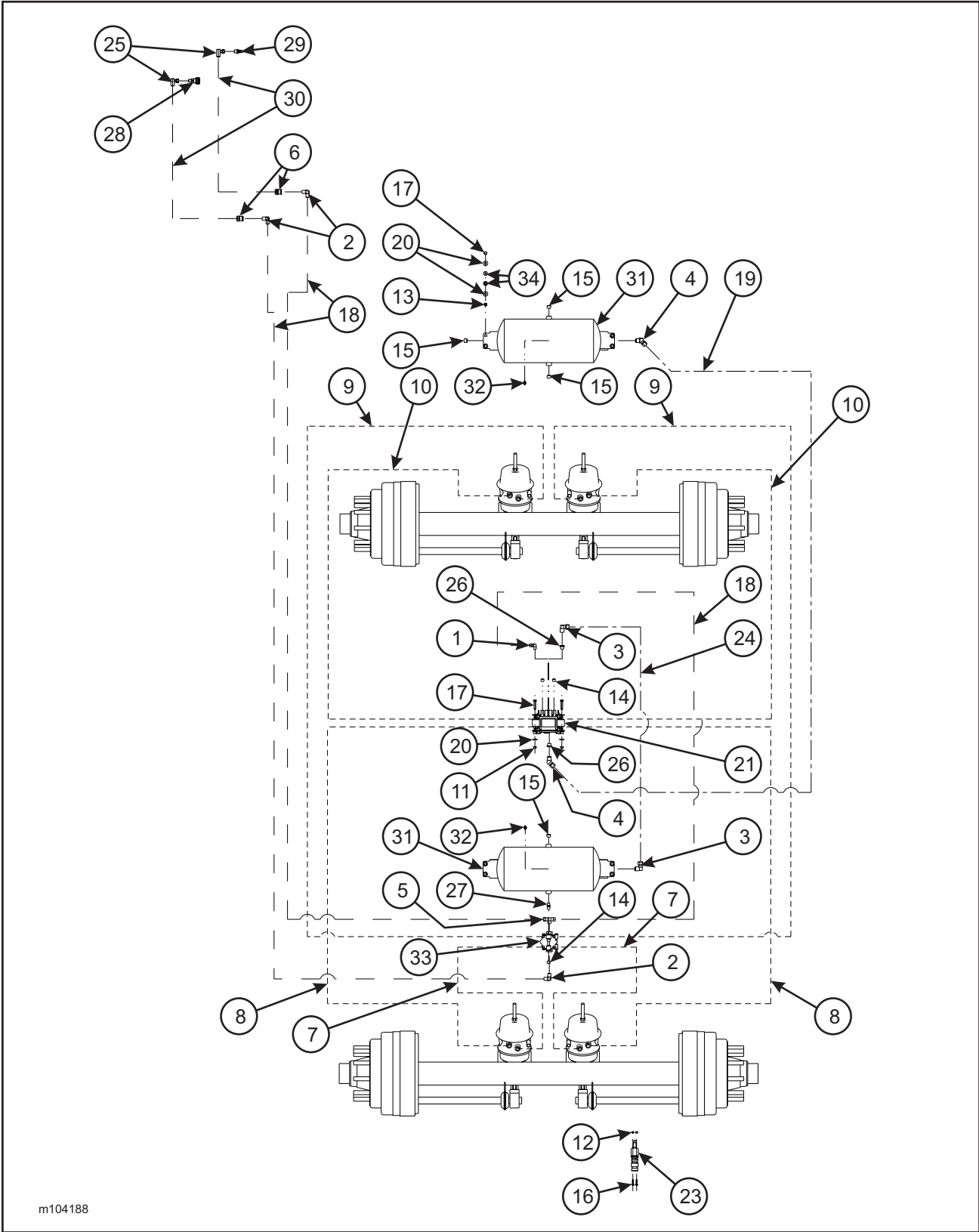


Figure 1-36 Air Brake System (325C and 327C)

AIR BRAKE SYSTEM, ABS (325C AND 327C)

ITEM	PART NO.	DESCRIPTION	QTY.
	140932	AIR BRAKE SYSTEM, ABS	
1	1-297-010008-18	FITTING, AIR 90	1
2	1-297-010008-20	FITTING, AIR 90	3
3	1-297-010008-26	FITTING, AIR 90	2
4	1-297-010010-06	FITTING, AIR UNION TEE	1
6	1-297-010013-16	FITTING, AIR 45 W/ ELBOW 1/2	3
7	1-297-010015-07	FITTING, AIR BR TEE 3/8	1
8	1-297-010022-03	FITTING, AIR	2
9	1-343-010007	GROMMET (NOT SHOWN)	2
10	1-384-010038024	HOSE, AIR 3/8 X 24	2
11	1-384-010038072	HOSE, AIR 3/8 X 72	2
12	1-384-010038090	HOSE, AIR 3/8 X 90	2
13	1-510-010001	NUT, FLANGE HEAD SERR 3/8-16	1
14	1-512-010005-05	NUT, HEX LOCK 3/8-16 GRB	12
15	1-560-010002-03	PLUG, PIPE 3/8	1
16	1-560-010002-04	PLUG, PIPE 1/2	7
17	1-560-010002-05	PLUG, PIPE 3/4	1
18	1-654-010047-06	SCREW, HEX HEAD CAP 1/4-20 X 1 GR5	2
19	1-654-010051-08	SCREW, HEX HEAD CAP 3/8-16 X 1-3/4 GR5	14
20	1-833-010002	TUBING, NYLON 3/8	AR
21	1-833-010003	TUBING, NYLON 1/2	AR
22	1-861-010032-07	WASHER, FLAT 1/4W	2
23	1-861-010032-11	WASHER, FLAT 3/8W	26
24	114590	DIAGNOSTIC CABLE W/ SWITCH, ABS	1
25	1-512-010005-01	NUT, HEX LOCK 1/4-20 GRB	21
26	114586	ABS KIT, 4S/2M TRI/SPREAD (SEE PAGE 1-65)	1
27	114587	ABS MAINTENANCE MANUAL NO.33 (NOT SHOWN)	1
28	117304	TUBING NYLON 5/8	2
29	118-2650-6	SWIVEL 90	2
30	118-2659-9	BUSHING, STEEL	1
31	2083-8-8S	NIPPLE, HEX	1
32	3-220-010004	COUPLER, AIR FEMALE	1
33	3-220-010005	COUPLER, AIR MALE	1
34	3-384-010031	HOSE, AIR 3/8 X 42	6
35	3-780-010002	AIR TANK	3
36	56D4	COCK, DRAIN AIR TANK	3
37	758-181	VALVE TASK 4 PORT	1
38	805-2	BUSHING, STEP	24

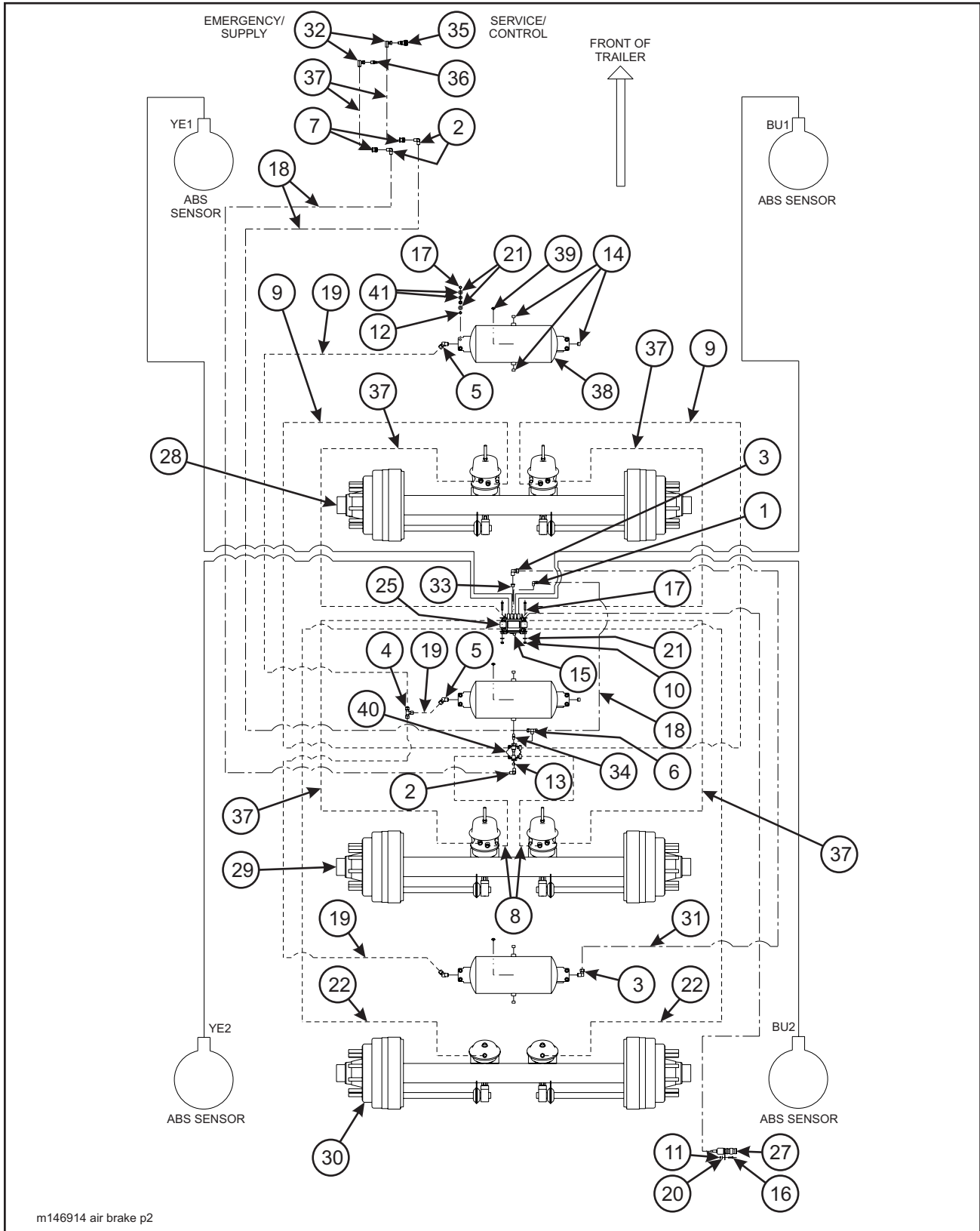


m104188

Figure 1-37 Air Brake System (326C)

AIR BRAKE SYSTEM, ABS (326C)

ITEM	PART NO.	DESCRIPTION	QTY.
	104188	AIR BRAKE SYSTEM, ABS	
1	1-297-010008-18	FITTING, AIR 90	1
2	1-297-010008-20	FITTING, AIR 90	3
3	1-297-010008-26	FITTING, AIR 90	2
4	1-297-010013-16	FITTING, AIR 45 W/ ELBOW 1/2	2
5	1-297-010015-07	FITTING, AIR BR TEE 3/8	1
6	1-297-010022-03	FITTING, AIR	2
7	1-384-010038024	HOSE, AIR 3/8 X 24	3
8	1-384-010038030	HOSE, AIR 3/8 X 30	1
9	1-384-010038060	HOSE, AIR 3/8 X 60	2
10	1-384-010038072	HOSE, AIR 3/8 X 72	2
11	1-510-010001	NUT, FLANGE HEAD SERR 3/8-16	2
12	1-512-010004-05	NUT, HEX 1/4-20 GRB	2
13	1-512-010005-05	NUT, HEX LOCK 3/8-16 GRB	8
14	1-560-010002-03	PLUG, PIPE 3/8	3
15	1-560-010002-04	PLUG, PIPE 1/2	4
16	1-654-010047-06	SCREW, HEX HEAD CAP 1/4-20 X 1 GR5	2
17	1-654-010051-08	SCREW, HEX HEAD CAP 3/8-16 X 1-3/4 GR5	10
18	1-833-010002	TUBING, NYLON 3/8	AR
19	1-833-010003	TUBING, NYLON 1/2	AR
20	1-861-010032-11	WASHER, FLAT 3/8W	18
21	114584	ABS KIT, WABCO 4S/2M	1
22	114587	ABS MAINTENANCE MANUAL (NOT SHOWN)	1
23	114590	DIAGNOSTIC CABLE BLINK LIGHT	REF
24	117304	TUBING NYLON 5/8	AR
25	118-2650-6	SWIVEL 90	2
26	118-2659-9	BUSHING, STEEL	2
27	2083-8-8S	NIPPLE, HEX	1
28	3-220-010004	COUPLER, AIR FEMALE	1
29	3-220-010005	COUPLER, AIR MALE	1
30	3-384-010031	HOSE, AIR 3/8 X 42	2
31	3-780-010002	AIR TANK	2
32	56D4	COCK, DRAIN AIR TANK	2
33	758-181	VALVE TASK 4 PORT	1
34	805-2	BUSHING, STEP	16

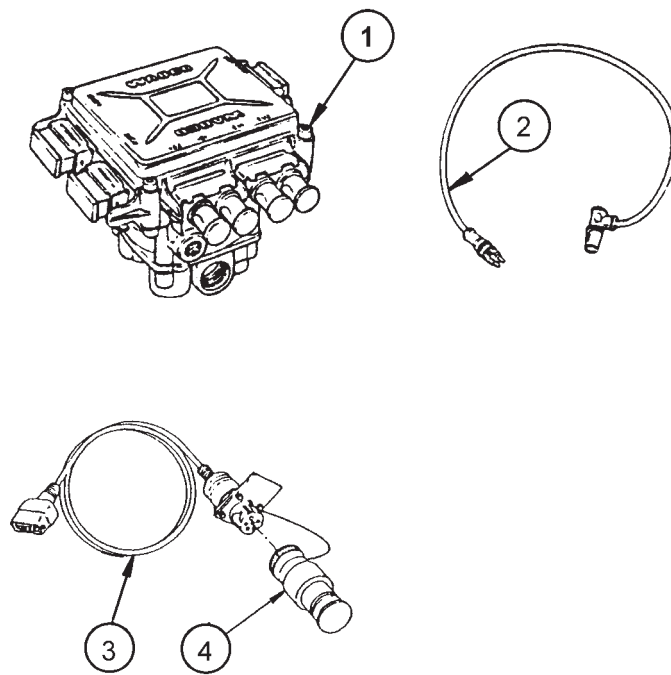


m146914 air brake p2

Figure 1-38 Air Brake System (329C)

AIR BRAKE SYSTEM, ABS (329C)

ITEM	PART NO.	DESCRIPTION	QTY.
	139315	AIR BRAKE SYSTEM, ABS	
1	1-297-010008-18	FITTING, AIR 90	1
2	1-297-010008-20	FITTING, AIR 90	3
3	1-297-010008-26	FITTING, AIR 90	2
4	1-297-010010-06	FITTING, AIR UNION TEE	1
5	1-297-010013-16	FITTING, AIR 45 W/ ELBOW 1/2	3
6	1-297-010015-07	FITTING, AIR BR TEE 3/8	1
7	1-297-010022-03	FITTING, AIR	2
8	1-384-010038024	HOSE, AIR 3/8 X 24	2
9	1-384-010038072	HOSE, AIR 3/8 X 72	2
10	1-510-010001	NUT, FLANGE HEAD SERR 3/8-16	2
11	1-512-010005-01	NUT, HEX LOCK 1/4-20 GRB	2
12	1-512-010005-05	NUT, HEX LOCK 3/8-16 GRB	12
13	1-560-010002-03	PLUG, PIPE 3/8	1
14	1-560-010002-04	PLUG, PIPE 1/2	7
15	1-560-010002-05	PLUG, PIPE 3/4	1
16	1-654-010047-06	SCREW, HEX HEAD CAP 1/4-20 X 1 GR5	2
17	1-654-010051-08	SCREW, HEX HEAD CAP 3/8-16 X 1-3/4 GR5	14
18	1-833-010002	TUBING, NYLON 3/8	AR
19	1-833-010003	TUBING, NYLON 1/2	AR
20	1-861-010032-07	WASHER, FLAT 1/4W	2
21	1-861-010032-11	WASHER, FLAT 3/8W	26
22	103738	HOSE, AIR 3/8 X 100	2
25	114586	ABS KIT, 4S/2M TRI/SPREAD (SEE PAGE 1-65)	1
26	114587	ABS MAINTENANCE MANUAL NO.33 (NOT SHOWN)	1
27	114590	DIAGNOSTIC CABLE BLINK LIGHT	REF
28	115752	AXLE WELDMENT 2516 SPG 79	REF
29	115756	AXLE WELDMENT RLU 250 D2516-SPG-79	REF
30	115757	AXLE WELDMENT RLU 250 D2516 - SER-79 (FOR AXLE WELDMENT BREAKDOWNS, SEE PAGE 1-51)	REF
31	117304	TUBING NYLON 5/8	AR
32	118-2650-6	SWIVEL 90	2
33	118-2659-9	BUSHING, STEEL	1
34	2083-8-8S	NIPPLE, HEX	1
35	3-220-010004	COUPLER, AIR FEMALE	1
36	3-220-010005	COUPLER, AIR MALE	1
37	3-384-010031	HOSE, AIR 3/8 X 42	6
38	3-780-010002	AIR TANK	3
39	56D4	COCK, DRAIN AIR TANK	3
40	758-181	VALVE TASK 4 PORT	1
41	805-2	BUSHING, STEP	24



ma114586

Figure 1-39 Brake Kit, (Rockwell) ABS

BRAKE KIT (ROCKWELL) ABS

ITEM	PART NO.	DESCRIPTION	QTY.
	114586	BRAKE KIT, ROCKWELL ABS, 4S/2M	
1	114588	ECU/VALVE ASSEMBLY	1
2	103861	SENSOR EXTENSION CABLE	1
3	114590	POWER/DIAGNOSTIC CABLE (SWITCH NOT INCL.)	1
4	101851	DIAGNOSTIC SWITCH	1

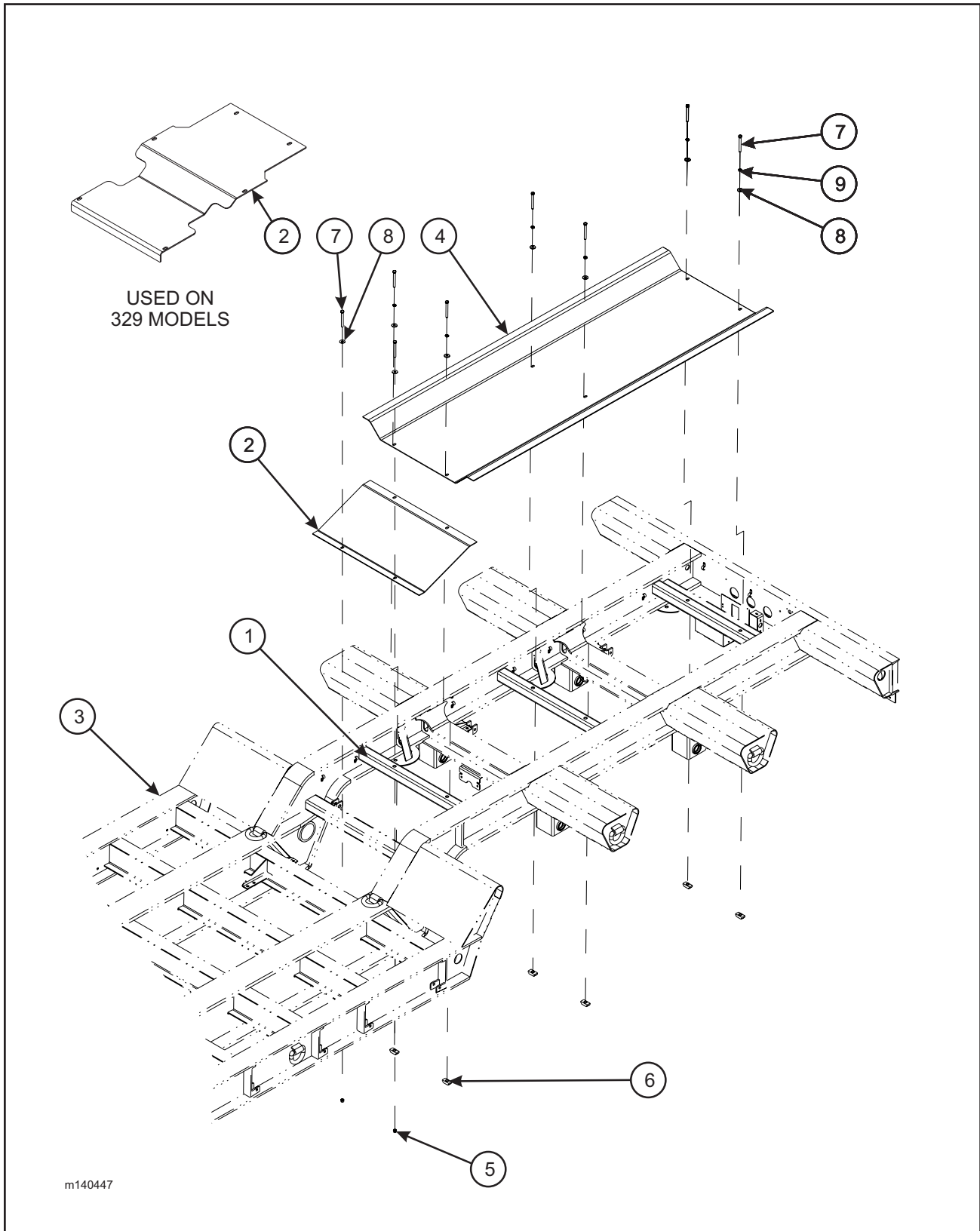
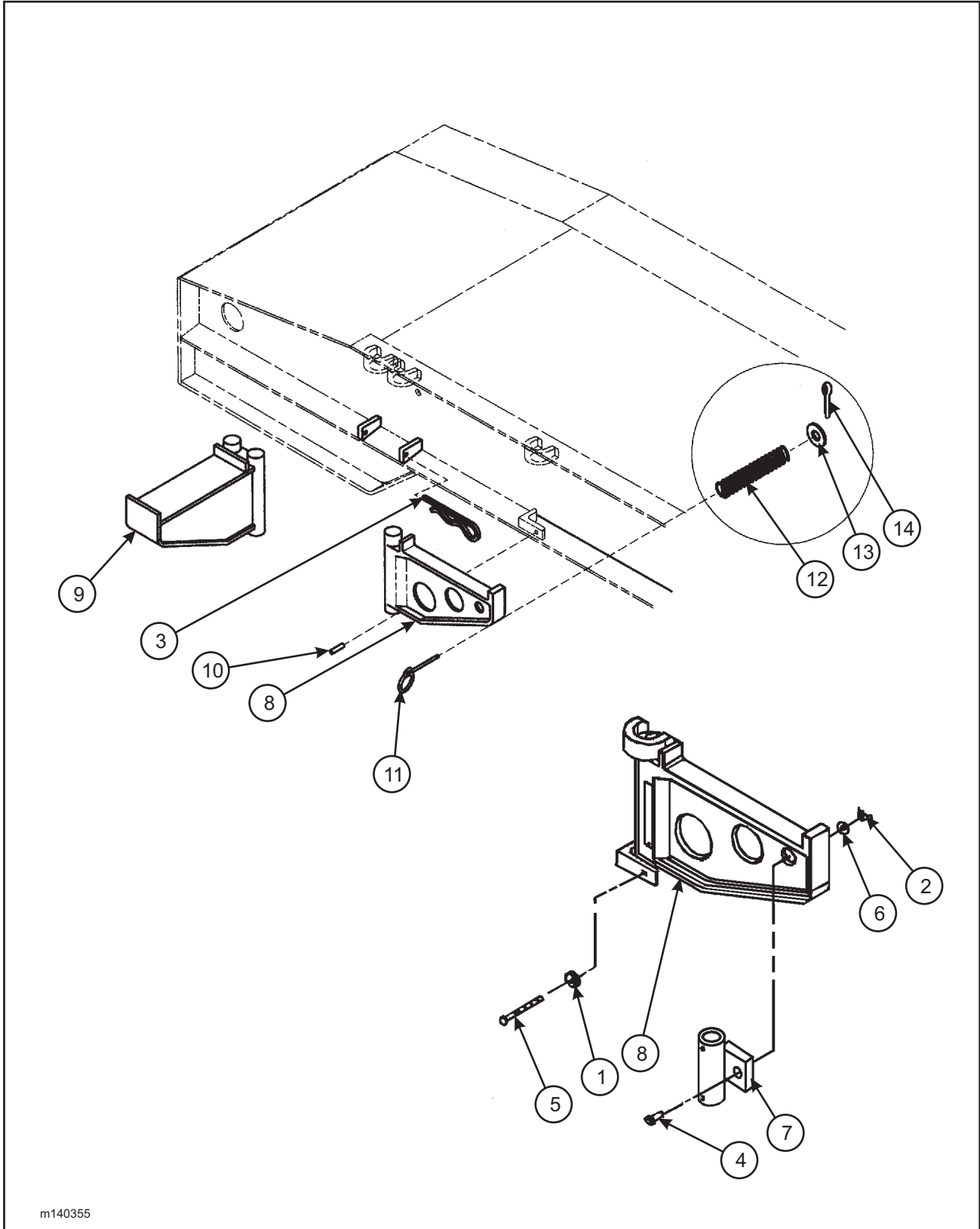


Figure 1-40 Boom Trough Cover Installation

BOOM TROUGH COVER INSTALLATION

ITEM	PART NO.	DESCRIPTION
	140447	BOOM TROUGH COVER INSTALLATION (325C)
	130877	COVER BOOM TROUGH INSTALLATION (326C)
	112961	BOOM TROUGH COVER INSTALLATION (327C)
	139328	BOOM TROUGH COVER INSTALLATION (327C)
	131764	BOOM TROUGH COVER INSTALLATION (329C)
	137540	BOOM TROUGH COVER INSTALLATION (329C)
1	112950	TUBE, SUPPORT TROUGH COVER (USED ON 140447, 130877, 112961, 139328)
2	112951	COVER, FRONT SECT (USED ON 140447, 130877, 112961, 139328)
	131762	COVER, BOOM TROUGH FRONT (131764)
	139125	COVER, BOOM TROUGH FRONT (137540)
3	----	FRAME WELDMENT
4	140448	COVER SECTION (140447)
	130878	COVER BOOM TROUGH (130877)
	112952	COVER BOOM TROUGH (112961)
	139327	COVER BOOM TROUGH (139328)
	131763	COVER BOOM TROUGH REAR (131763)
	139126	COVER BOOM TROUGH REAR (137540)
5	1-512-010005-09	NUT, HEX LOCK 1/2-13 GRB
6	1-522-010004-04	NUT, CAGED WELD-ON 1/2-13
7	1-654-010055-14	SCREW, HEX HEAD CAP 1/2-13 X 4-1/2 GR5 (USED ON 140447, 112961, 139328, & 130877)
	1-654-010055-03	SCREW, HEX HEAD CAP 1/2-13 X 1-1/2 GR5 (USED ON 131764 & 137540)
8	1-861-010032-15	WASHER, FLAT 1/2W
9	1-861-010034-13	WASHER, SPLIT LOCK 1/2



m140355

Figure 1-41 Swing Out Outrigger Installation

SWING OUT OUTRIGGER INSTALLATION

ITEM	PART NO.	DESCRIPTION	QTY.
	140355	SWING OUT OUTRIGGER	
	138472	SWING OUT OUTRIGGER	
	140931	SWING OUT OUTRIGGER	
	3-410-010729	SWING OUT OUTRIGGER	
1	1-512-010005-09	NUT, HEX LOCK 1/2-13 GRB	
2	1-533-010001	NUT, WING 1/2-13	
3	1-557-010014	PIN, HAIR 1/4	
4	1-654-010055-05	SCREW, HEX HEAD CAP 1/2-13 X 2 GR5	
5	1-654-010070-13	SCREW, RD HEAD SQ NECK 1/2-13 X 4	
6	1-861-010032-15	WASHER FLAT 1/2W	
7	114741	HOLDER, FLAG WELDMENT	
8	167-0022	OUTRIGGER FOR 10 CHANNEL	
9	3-311-015001	FRONT OUTRIGGER WELDMENT	
10	0600-375-01500	ROLL PIN 3/8 X 1-1/2	
11	3-187-010001	CLIP, OUTRIGGER STAY	
12	3-720-010024	SPRING 1/16 X 2-3/4	
13	1-861-010032-07	WASHER, FLAT 1/4	
14	101386	COTTER PIN 1/8 X 1	

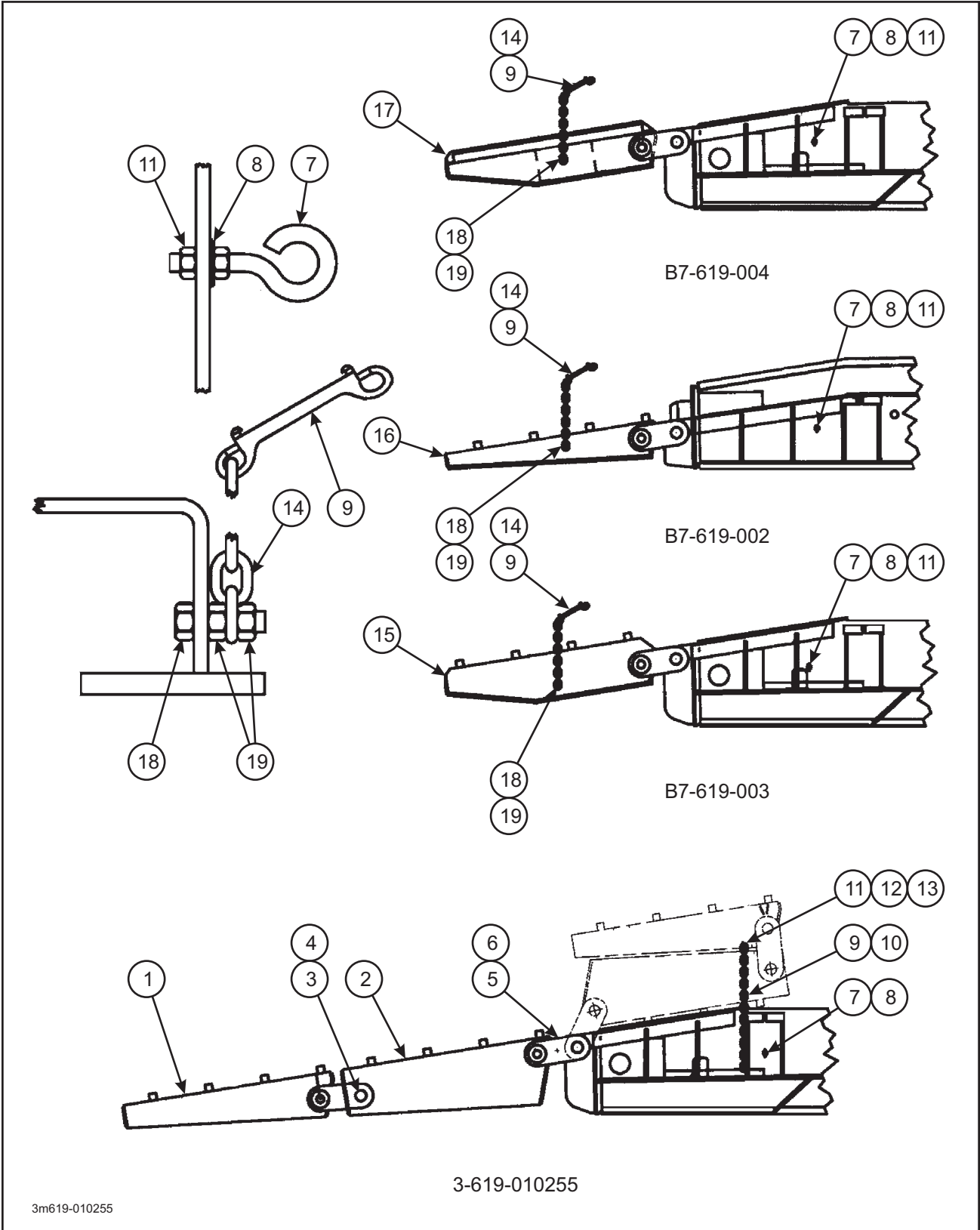


Figure 1-42 Ramp Installation

RAMP INSTALLATION

ITEM	PART NO.	DESCRIPTION	QTY.
	B7-619-002	RAMP APPROACH, DROP DECK	
	B7-619-003	RAMP APPROACH, 30"	
	B7-619-004	RAMP APPROACH, WOOD FILLED	
	3-619-010255	RAMP INSTALLATION, DOUBLE	
1	3-619-010253	RAMP WELDMENT, DOUBLE FLIP, FRONT	
2	3-619-010254	RAMP WELDMENT, DOUBLE FLIP, BACK	
3	3-557-010172	PIN, 1-1/2 X 21-1/2	
4	1-557-010362-65	PIN, COTTER 1/4 X 2-1/2	
5	RRT346X18.875	TUBE, ROUND 2-1/2 X 1-5/8 X 18-7/8	
6	3-720-010078	SPRING, TORSION	
7	5/16-18 X 1-1/2EB	EYE BOLT 5/16-18 X 1-1/2	
8	1-512-010007-06	NUT, HEX 5/16-18	
9	3-707-010001	SNAP, DOUBLE END	
10	2-174-010025	CHAIN, CROP SHIELD ADJUSTMENT	
11	1-512-010005-03	NUT, HEX LOCK 5/16-18 GRB	
12	1-861-010032-08	WASHER, FLAT 5/16W	
13	1-654-010049-07	SCREW, HEX HEAD CAP 5/16-18 X 1-1/2 GR5	
14	2-174-010029	CHAIN LIMIT ROW CROP	
15	3-619-010134	RAMP WELDMENT APPROACH	
16	3-619-010159	RAMP, APPROACH WELDMENT	
17	3-619-010214	RAMP, APPROACH WOOD FILLED	
18	1-654-010051-09	SCREW, HEX HEAD CAP 3/8-16 X 2 GR5	
19	1-512-010005-05	NUT, HEX LOCK 3/8-16 GRB	

LANDOLL

1
10

PULL TO RELEASE

2

OFF
LIGHT +
ON

5

CAUTION
MAXIMUM CONCENTRATED
LOAD IN 10FT AREA
100,000 LBS
3-573-010193



4

CAUTION
MAXIMUM
CONCENTRATED
LOAD IN A 16 FT.
AREA 70,000 LBS.
3-573-010191

3

IMPORTANT
CONNECT FEMALE HYDRAULIC
COUPLER FROM TRACTOR WET
KIT OR ENGINE PACKAGE TO MALE
HYDRAULIC COUPLER AT FRONT
OF TRAILER FIRST TO RELIEVE
PRESSURE IN TRAILER LINES. 105822

6

WARNING
Stow air lines
coupled together
to decrease
contamination.

7

CAUTION
MAXIMUM
CONCENTRATED
LOAD IN A 16 FT.
AREA 100,000 LBS.
3-573-010194



8



9

LANDOLL
1700 May Street
Box 111
Marysville, Kansas 66508
LANDOLL TRAILER DIVISION
1-800-428-5655
1-800-HAULOLL
IN KANSAS
1-800-332-5855
MANUFACTURED UNDER ONE OR MORE OF
THE FOLLOWING PATENTS: 4125198, 4231710,
4381191, 4630891, 4558357,
4492907, 4928774 3-573-010298

8

UP UP
GOOSENECK TRAILER
LIFT LIFT
DOWN DOWN
3-573-010196

11

LANDOLL TRAILER DIVISION
EASY-HOOKER
ATTACHMENT PROCEDURE
1. ATTACH THE HOOKER TO THE TRAILER...
2. CONNECT THE HOOKER TO THE TRAILER...
3. CONNECT THE HOOKER TO THE TRAILER...
4. CONNECT THE HOOKER TO THE TRAILER...
5. CONNECT THE HOOKER TO THE TRAILER...
6. CONNECT THE HOOKER TO THE TRAILER...
7. CONNECT THE HOOKER TO THE TRAILER...
8. CONNECT THE HOOKER TO THE TRAILER...
9. CONNECT THE HOOKER TO THE TRAILER...
10. CONNECT THE HOOKER TO THE TRAILER...
11. CONNECT THE HOOKER TO THE TRAILER...
12. CONNECT THE HOOKER TO THE TRAILER...
13. CONNECT THE HOOKER TO THE TRAILER...
14. CONNECT THE HOOKER TO THE TRAILER...
15. CONNECT THE HOOKER TO THE TRAILER...
16. CONNECT THE HOOKER TO THE TRAILER...
17. CONNECT THE HOOKER TO THE TRAILER...
18. CONNECT THE HOOKER TO THE TRAILER...
19. CONNECT THE HOOKER TO THE TRAILER...
20. CONNECT THE HOOKER TO THE TRAILER...

12

HAULLOLL

13



15

Figure 1-43 Decals

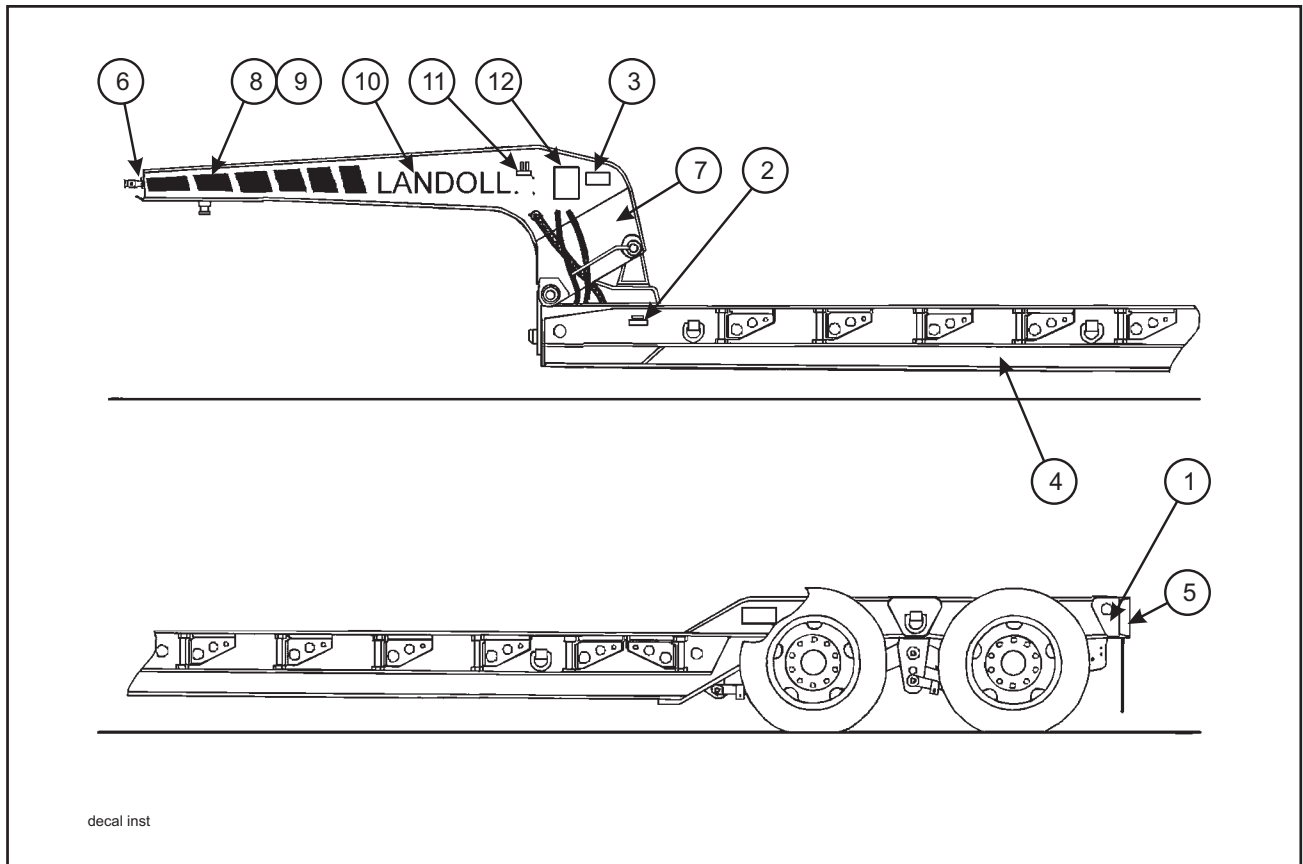
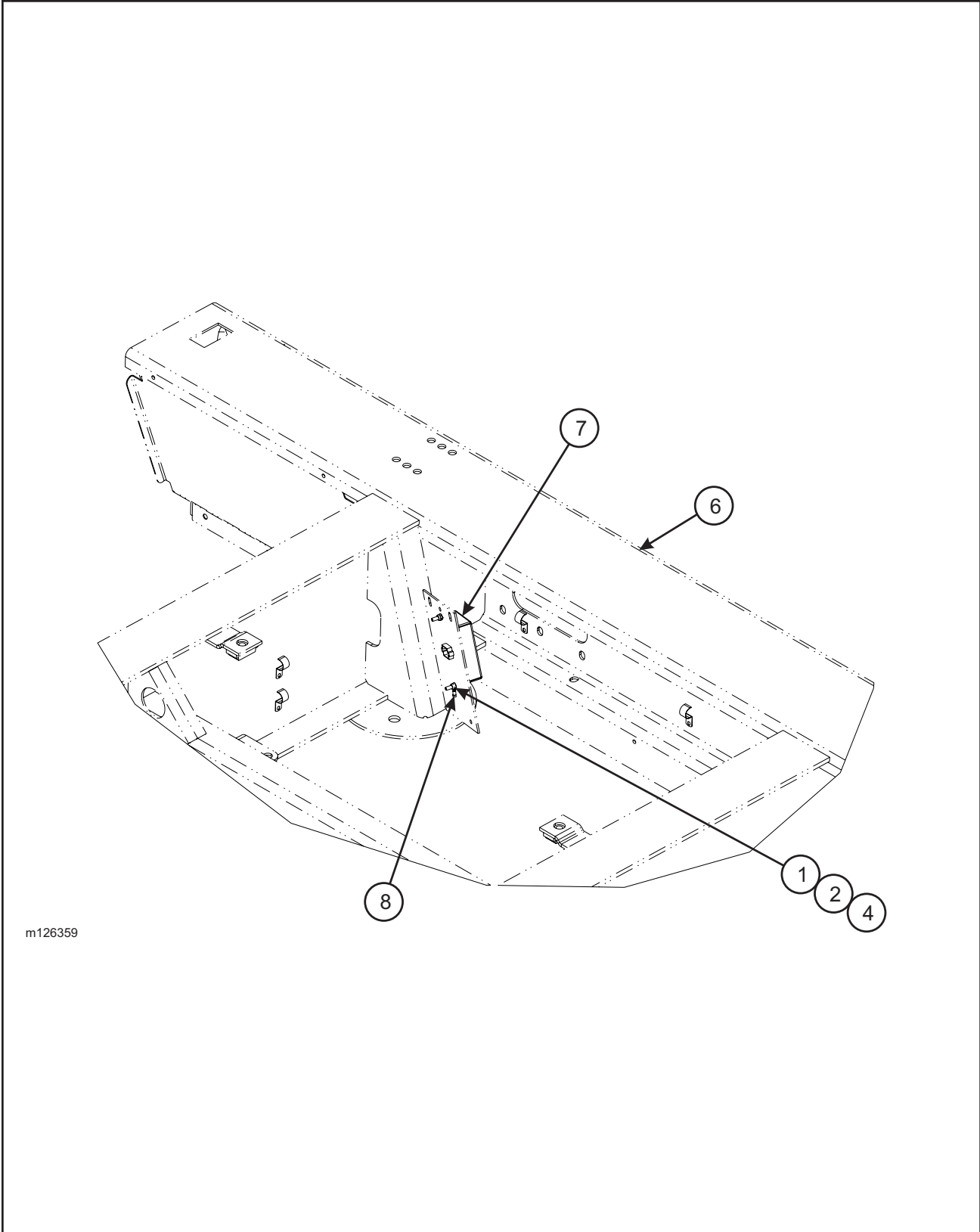


Figure 1-44 Decal Placement

DECAL PLACEMENT

ITEM	PART NO.	DESCRIPTION	QTY.
1	101855	WARNING LAMP LABEL ABS	
2	3-573-010124	DECAL, PULL TO RELEASE	
3	3-573-010193	DECAL, CONCENTRATED LOAD 100M LBS-10	
	3-573-010191	DECAL, CAUTION 70K/16FT CONC.	
	3-573-010194	DECAL, CONCENTRATED LOAD 100M LBS-16	
4	3-573-010377	DECAL, 2" REFLEXITE TAPE RED/WHITE	
5	130116	DECAL, ON/OFF LIGHT	
6	105822	DECAL, HYDRAULIC COUPLER	
7	3-573-010338	DECAL, WARNING AIR LINE	
8	3-573-010044	DECAL, TAPERED STRIPE (BLACK)	
	3-573-010046	DECAL, TAPERED STRIPE (WHITE)	
9	3-573-010045	DECAL, TAPERED STRIPE (BLACK)	
	3-573-010047	DECAL, TAPERED STRIPE (WHITE)	
10	3-573-010048	DECAL, LANDOLL (BLACK)	
	3-573-010049	DECAL, LANDOLL (WHITE)	
11	3-573-010148	DECAL, 324 LIFT CONTROLS/BLACK	
	3-573-010156	DECAL, 324 LIFT CONTROLS/WHITE	
12	3-573-010121	INSTRUCTIONS, 324/325 DETACH (BLACK)	
	3-573-010126	INSTRUCTIONS, 324/325 DETACH (WHITE)	

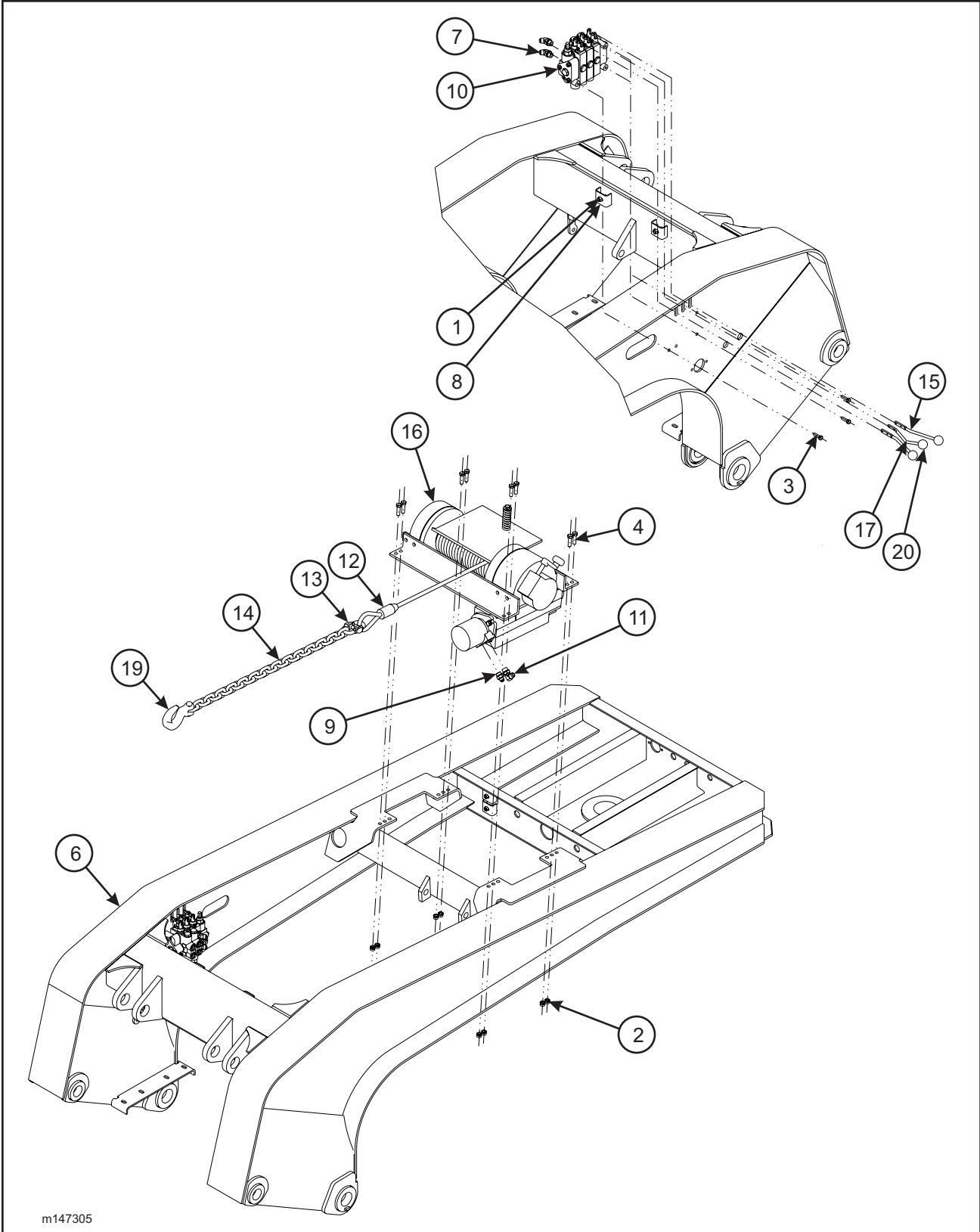


m126359

Figure 1-45 Air Weigh Scale Installation (Option)

AIR WEIGH SCALE INSTALLATION (OPTION)

ITEM	PART NO.	DESCRIPTION	QTY.
	126359	SCALE INSTALLATION, AIR WEIGH	
1	1-512-010005-01	NUT, HEX LOCK 1/4-20 GRB	2
2	1-654-010047-07	SCREW, HEX HEAD CAP 1/4-20 X 1-1/4 GR5	2
3	1-796-010003-01	TIE STRAP, PLASTIC (NOT SHOWN)	2
4	1-861-010032-07	WASHER, FLAT 1/4W	2
5	104043	CONNECTOR (NOT SHOWN)	1
6	110744	FRAME WELDMENT	REF
7	128436	SCALE, AIR DIGITAL (RIGID AXLE)	1
8	239-3646-5	TERMINAL	1
9	3-395-010001	HOSE, CF FIRE (NOT SHOWN)	AR

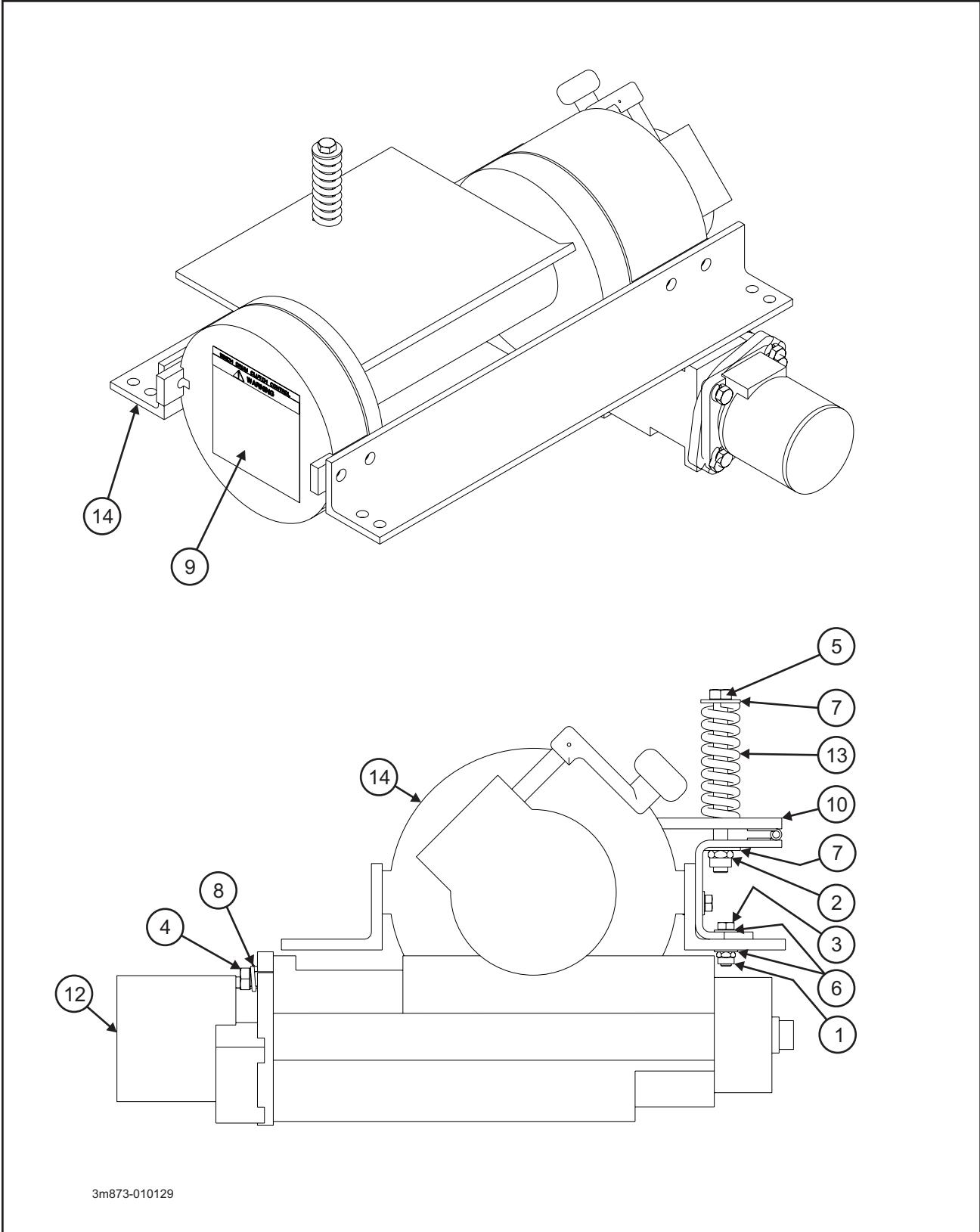


m147305

Figure 1-46 Winch Installation, 20K(10'-7" G/N) (Option)

WINCH INSTALLATION, 20K (10'-7" G/N) (OPTION)

ITEM	PART NO.	DESCRIPTION	QTY.
	147305	WINCH INSTALLATION, 20K (10'-7" G/N)	
1	1-510-010001	NUT, FLANGE LOCK 3/8-16	4
2	1-512-010005-09	NUT, HEX LOCK 1/2-13 GRB	8
3	1-654-010051-06	SCREW, HEX HEAD CAP 3/8-16 X 1-1/4 GR5	3
4	1-654-010055-04	SCREW, HEX HEAD CAP 1/2-13 X 1-3/4 GR5	8
5	104369	HOSE ASSEMBLY 1/2 X 96 (NOT SHOWN)	1
6	147306	GOOSENECK, MOD WINCH BRACKET	1
7	147310	VALVE, MOD ADD 3RD SPOOL (SEE PAGE 1-85)	1
8	2-181-010001	CLAMP	4
9	202702-10-8S	ADAPTER	1
10	2061-8-8S	ADAPTER, 45	2
11	2062-10-8S	ADAPTER, 90	1
12	3-115-010018	CABLE ASSEMBLY 5/8"	REF
13	3-174-010038	CHAIN LINK CONNECTING 1/2	1
14	3-174-010039036	CHAIN, 1/2 X 36	1
15	3-360-010031	HANDLE, HYD. VALVE	REF
16	3-873-010129-2	WINCH ASSEMBLY, 20K (SEE PAGE 1-79)	1
17	670400012	HANDLE, VALVE	1
18	71600214	HOSE 1/2 X 96 (NOT SHOWN)	1
19	7HCGHT500	HOOK, CLEVIS GRAB 1/2	1
20	95	KNOB	1



3m873-010129

Figure 1-47 Winch Assembly, 20K(Optional)

WINCH ASSEMBLY, 20K (OPTION)

ITEM	PART NO.	DESCRIPTION	QTY.
	3-873-010129-2	WINCH ASSEMBLY, 20K	
1	1-512-010005-05	NUT, HEX LOCK 3/8-16 GRB	3
2	1-512-010005-09	NUT, HEX LOCK 1/2-13 GRB	1
3	1-654-010051-06	SCREW, HEX HEAD CAP 3/8-16 X 1-1/4 GR5	3
4	1-654-010055-04	SCREW, HEX HEAD CAP 1/2-13 X 1-3/4 GR5	2
5	1-654-010055-17	SCREW, HEX HEAD CAP 1/2-13 X 6 GR5	1
6	1-861-010032-10	WASHER, FLAT 3/8N	6
7	1-861-010032-15	WASHER, FLAT 1/2W	2
8	1-861-010034-13	WASHER, SPLIT LOCK 1/2	2
9	100600	DECAL, WARNING BRADEN WINCH	1
10	102186	WINCH TENSIONER, 20K BRADEN SPRING	1
12	3-481-010007	MOTOR, HYD 12.9 CU. IN./ REV (SEE PAGE 1-72)	1
13	3-720-010010	SPRING, COMPRESSION	1
14	3-873-010123	WINCH, WORM GEAR 20,000 LB (SEE PAGE 1-81)	1

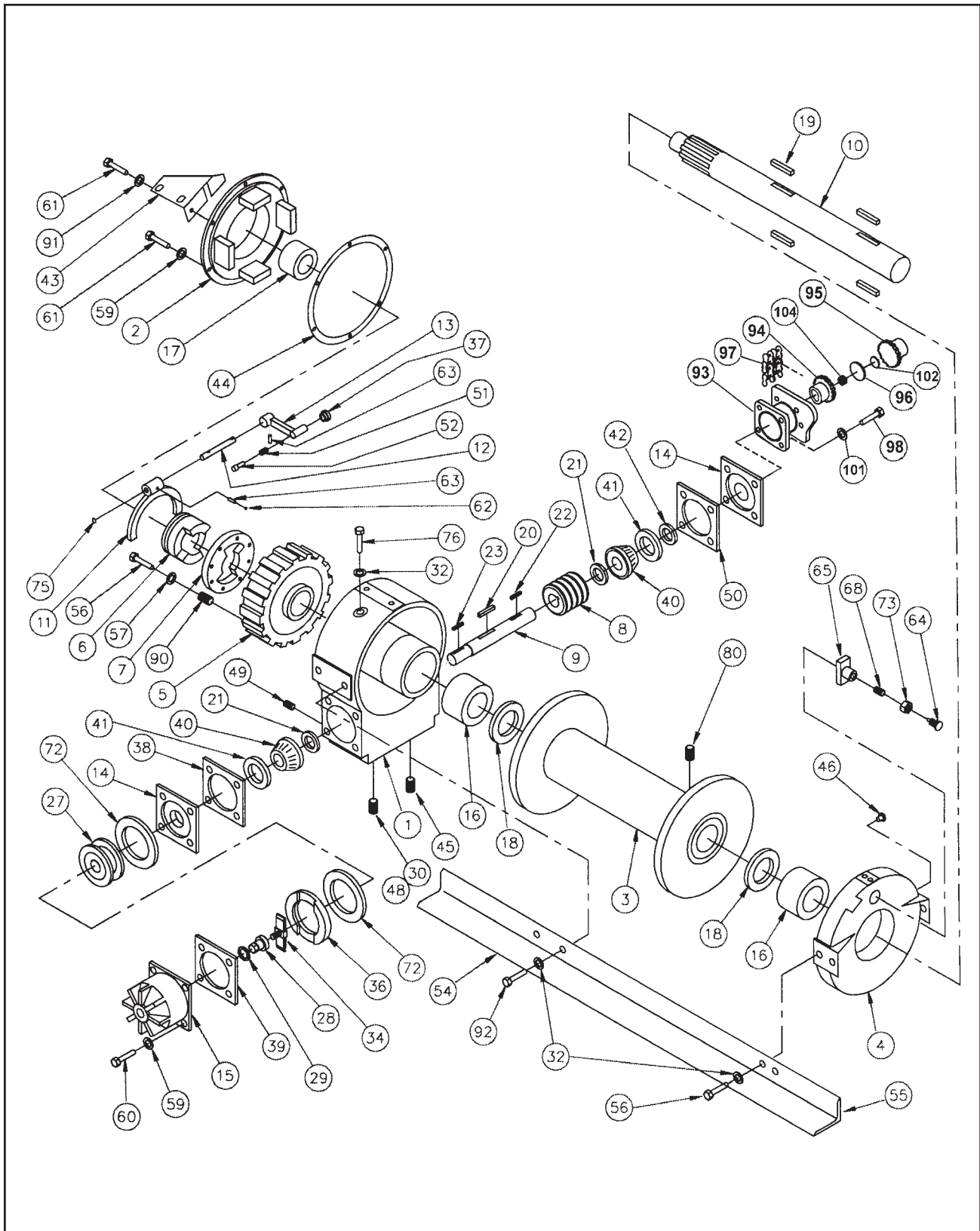


Figure 1-48 20,000 Lb. Winch Assembly (Option)

20,000# WINCH ITEMS

ITEM	PART NO.	DESCRIPTION	QTY.
	3-873-010123	WINCH, 20K	
1	81078	WORM HOUSING ASSEMBLY	1
2	81082	COVER ASSEMBLY WORM HOUSING	1
3	11449	DRUM CABLE	1
4	81077	LEG ASSEMBLY BEARING	1
5	11434	WORM GEAR RIGHT	1
6	11421	CLUTCH SIDING	1
7	11419	DRIVE CLUTCH	1
8	11404	WORM RIGHT	1
9	11405	SHAFT WORM	1
10	11414	SHAFT CABLE DRUM	1
11	11440	FORK SHIFTER	1
12	11441	SHAFT SHIFTER	1
13	11442	HANDLE SHIFTER	1
14	11427	CONTAINER BEARING	2
15	11445	COVER WORM BRAKE	1
16	18035	BUSHING	2
17	11425	BUSHING	1
18	11420	RING RETAINING	2
19	22055	DRUM KEY CABLE	4
20	11402	KEY WORM	1
21	11407	SPACER WORM	2
22	23367	KEY SPROCKET	1
23	10078	KEY ROTOR	1
27	81080	ROTOR ASSEMBLY BRAKE	1
28	11599	ADJUSTING NUT WORM BRAKE	1
29	12465	O-RING	1
30	19014	PLUG FILLER	1
32	11026	WASHER LOCK	10
34	81081	SPRING ASSEMBLY SAFETY BRAKE	1
36	11431	PLATE PRESSURE	1
37	18022	KNOB SHIFTER	1
38	11429	GASKET	4
39	11446	GASKET	2
40	18033	BEARING CONE	2
41	18034	BEARING CUP	2
42	12073	SEAL GREASE	1
43	12783	BRACKET SHIFTER	1
44	11411	COVER GASKET HOUSING	1
45	19045	PLUG DRAIN	1
46	18047	FITTING GREASE	1
48	22775	PLUG VENT	1
49	18009	PLUG LEVEL	1
50	11430	GASKET	4
51	11310	SPRING SHIFTER KNOB	1
52	11309	STEM SHIFTER KNOB	1
54	28942	ANGLE FRONT BASE	1
55	28943	ANGLE REAR BASE	1

20,000# WINCH ITEMS

ITEM	PART NO.	DESCRIPTION	QTY.
56	13938	CAPSCREW	16
57	12781	WASHER LOCK	8
58	18056	ROLL PIN	1
59	11025	WASHER LOCK	3
60	22695	CAPSCREW	4
61	21964	CAPSCREW	6
62	12146	PLUG EXPANSION	A/R
63	13028	ROLL PIN	A/R
64	11398	SCREW ADJUSTING	1
65	88005	SHOE ASSEMBLY DRAG BRAKE	1
68	18002	SHOE ASSEMBLY DRAG BRAKE	1
72	11426	DISC FRICTION	2
73	11791	NUT JAM	1
75	12767	PLUG EXPANSION	A/R
76	22729	CAPSCREW	2
77	23245	SAE PLATE - AMU7-16F	1
78*	23310	PLATE WARNING	1
79*	11842	SCREW DRIVE	4
80	12228	SCREW SET	1
90	11435	INSERT THREAD	8
91	11014	LOCKWASHER (7/8" EXTERNAL TOOTH)	1
92	22697	CAPSCREW	5
93	23079	ADAPTER - MOTOR	1
94	23081	COUPLING HALF-WINCH	1
95	23142	COUPLING HALF-MOTOR	1
96	23078	SPACER - CONSTANT	1
97	13424	ROLLER CHAIN	1
98	22704	CAPSCREW	4
99	13413	CAPSCREW (NOT SHOWN)	4
100	18003	LOCKWASHER	4
101	11026	LOCKWASHER (NOT SHOWN)	4
102	23183	SPACER - VARIABLE	2
103	22703	CAPSCREW	4
104	23353	SPRING - SPACER	1

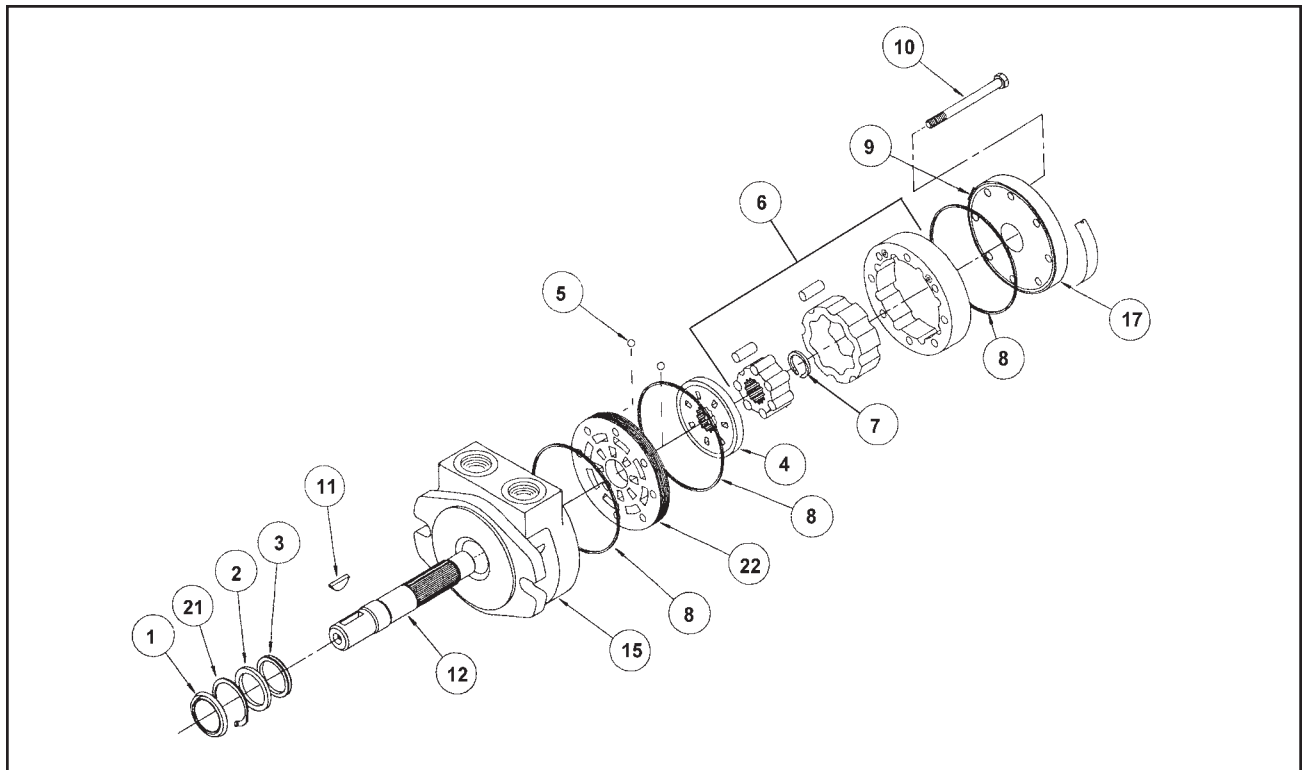
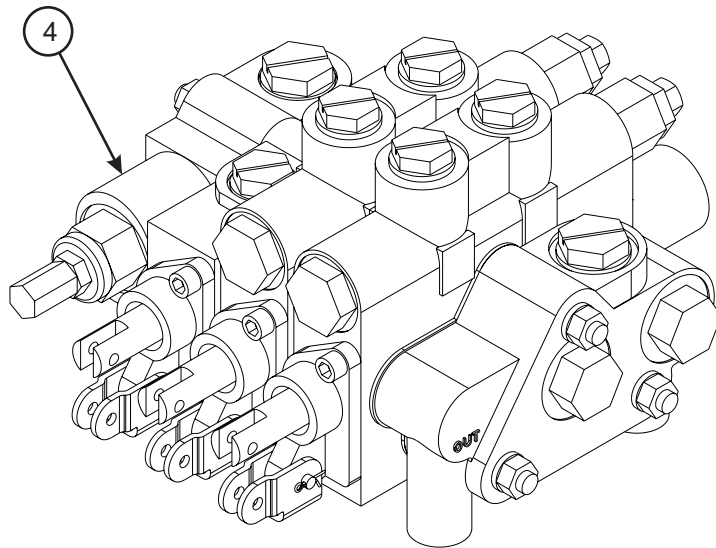
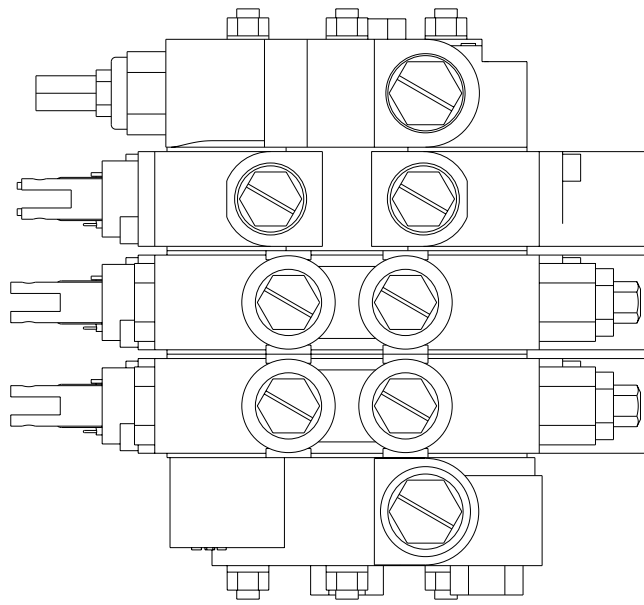


Figure 1-49 Winch Motor Assembly (Option)

WINCH MOTOR ASSEMBLY

ITEM	PART NO.	DESCRIPTION	QTY.
	3-481-010007	MOTOR HYD. (FOR 20K WINCH)	1
	3-481-010006	MOTOR HYD (FOR 12K WINCH)	1
1	2183	SEAL DUST	1
2	2177	BACK-UP RING	1
3	2175	SEAL, LIP	1
4	1644	ROTARY VALVE	1
5	1021	CHECK VALVE BALL	2
6	1004-6	IGR, ASSY (FOR 20K WINCH)	1
	1004-3	IGA, ASSY (FOR 12K WINCH)	1
7	1296	SNAP RING	1
8	1046	SQUARE RING SEAL	3
9	1019-4	PLUG, VENT W/O-RING 7/16-20	1
10	1014-4	BOLTS, HEX 5/16-24 (FOR 20K WINCH)	8
	1114-5	BOLTS, HEX 5/16-24 (FOR 12K WINCH)	8
11	1655	KEY, WOODRUFF	1
12	2265-6	SHAFT, 1.25" 14 TOOTH SPLINE (FOR 20K WINCH)	1
	2109-3	SHAFT, 1" KEYED (FOR 12K WINCH)	1
15	M110AB-4	BODY/BEARING ASSY (FOR 20K WINCH)	1
	PA-2328-2	BODY/BEARING ASSY (FOR 12K WINCH)	1
17	M110C-1	COVER/BEARING ASSY	1
21	2180	SNAP RING, SHAFT	1
22	1865	COMMUNTATOR PLATE	1
23	2263	SEAL KIT, BODY	1
	2480	SEAL KIT, BODY, VITON	1



m147310

Figure 1-50 20,000 Lb. Winch Assembly (Option)

VALVE, MODIFIED (ADD 3RD SPOOL)

ITEM	PART NO.	DESCRIPTION	QTY.
	147310	VALVE, MODIFIED ADD 3RD SPOOL	
1	114553	SEAL KIT	1
2	147315	TIE ROD KIT	1
3	147316	VALVE SECTION (SVWICA2)	1
4	3-846-010041	VALVE, 2 SPOOL SECTIONAL	1

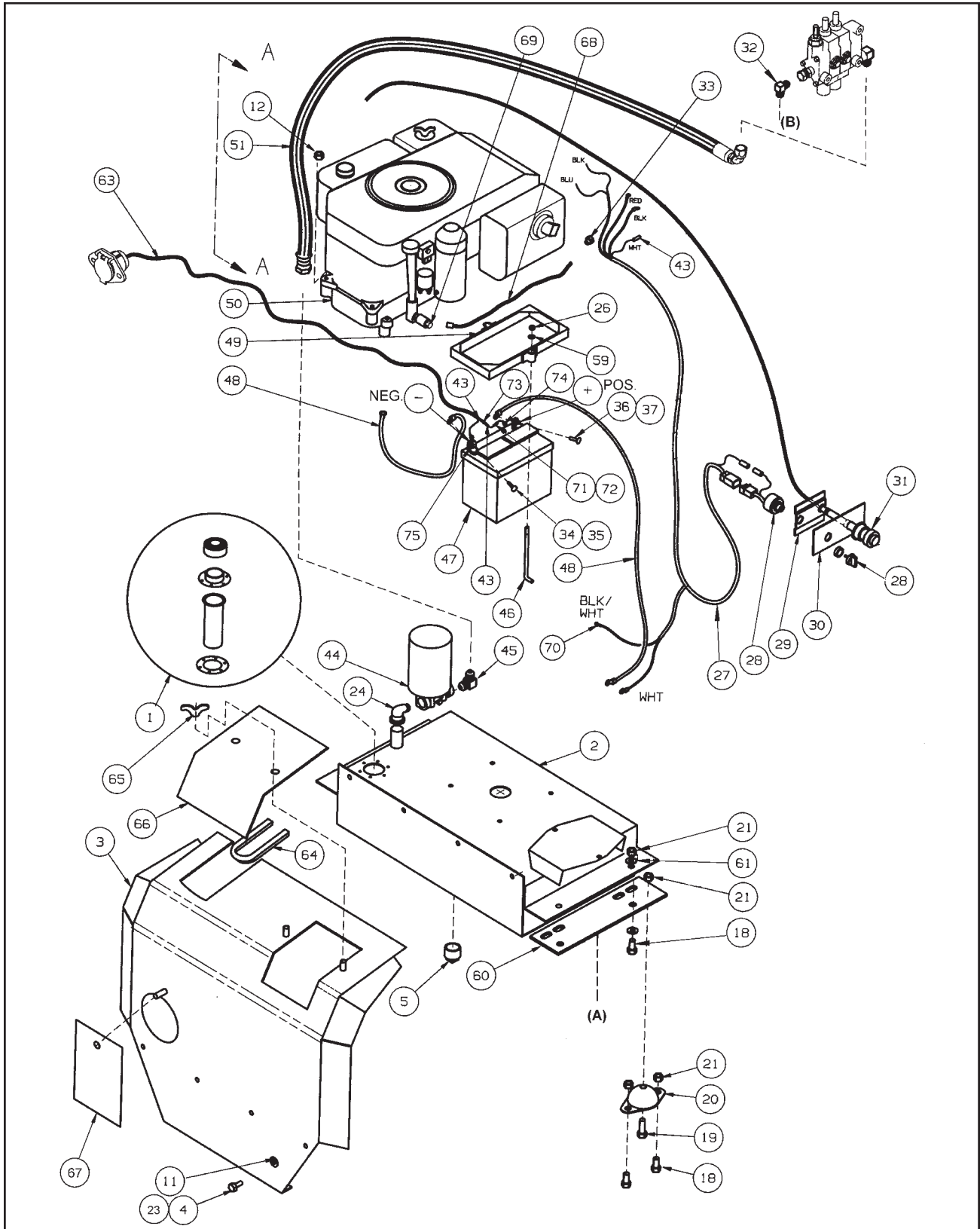


Figure 1-51 42-11 HP Honda Engine Drive Installation (Option)
(1 of 2)

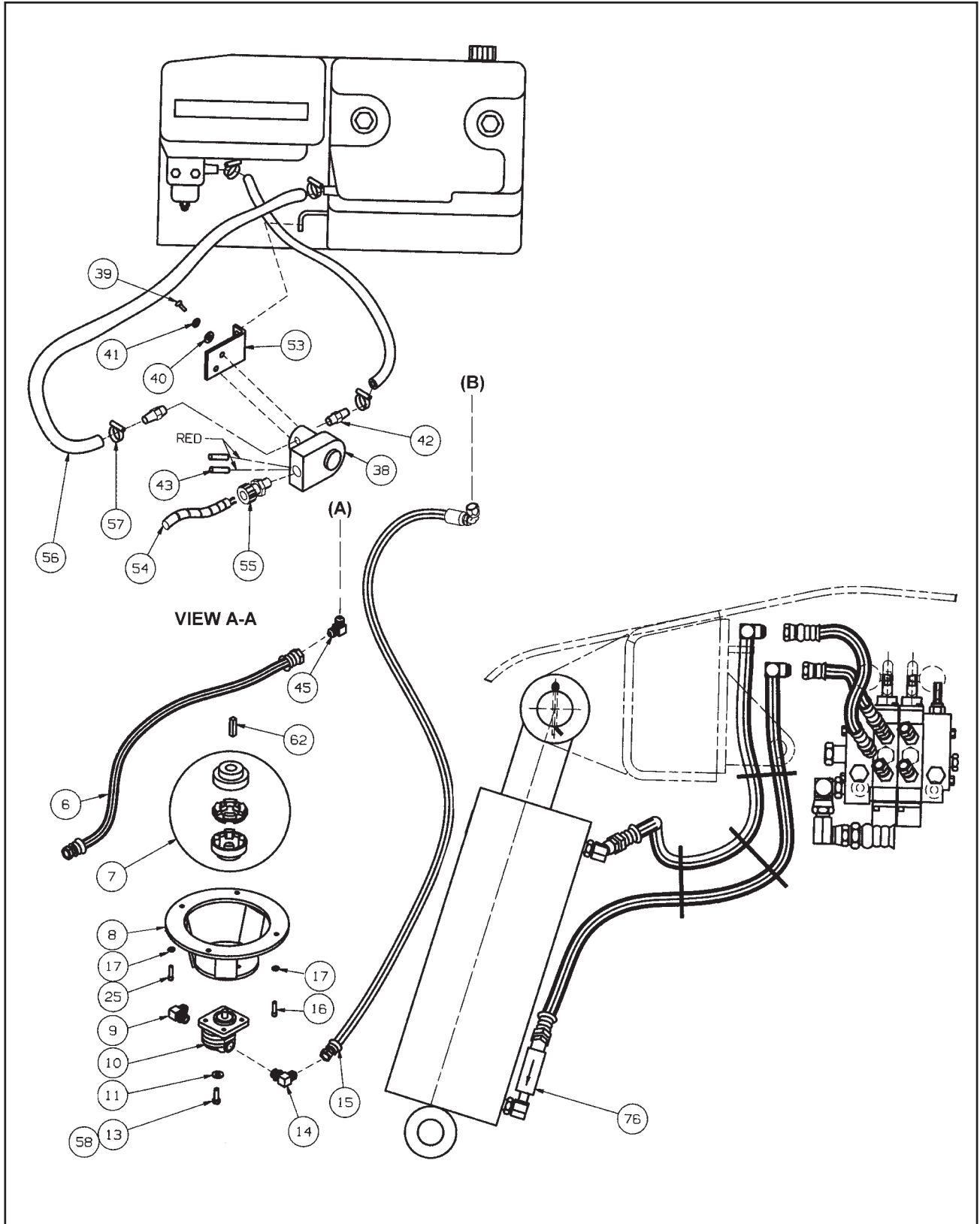


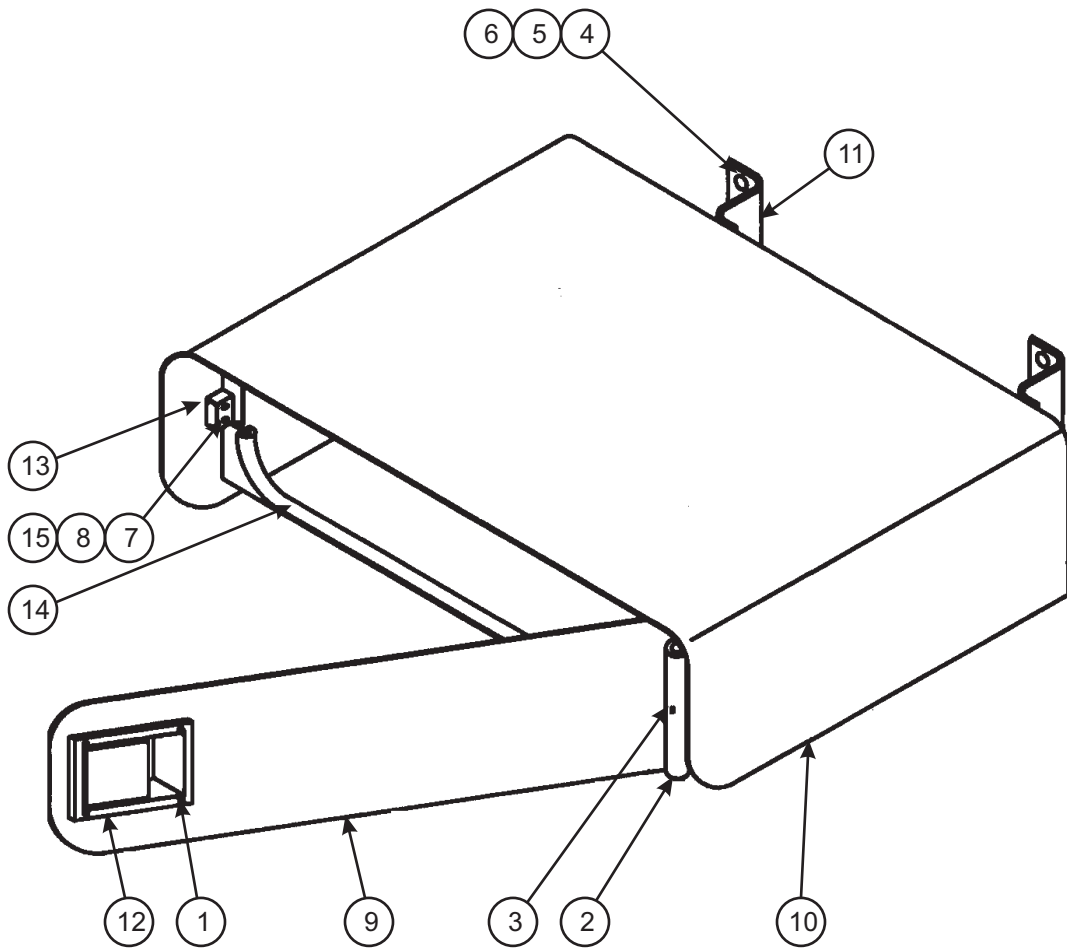
Figure 1-52 42-11 HP Honda Engine Drive Installation (Option)
(2 of 2)

42-11 HP HONDA ENGINE DRIVE INSTALLATION (OPTION)

ITEM	PART NO.	DESCRIPTION	QTY.
	3-273-010014	42-11 HP HONDA ENGINE DRIVE INSTALLATION	
1	3-162-010001	FILLER BREATHER STRAINER ASSEMBLY	1
2	3-786-010037	TANK WELDMENT	1
3	3-681-010069	SHIELD WELDMENT	1
4	1-654-010051-05	SCREW, HEX HEAD CAP 3/8-16 X 1 GR5	4
5	1-560-010002-05	PLUG, PIPE 3/4-14	1
6	1-397-010304016	HOSE ASSEMBLY 16"	1
7	3-220-010010	COUPLING ASSEMBLY	1
8	3-482-010051	PUMP MOUNT WELDMENT	1
9	2062-10-12S	ADAPTER 90	1
10	3-591-010010	PUMP, HYDRAULIC	1
11	1-861-010032-11	WASHER, FLAT 3/8W	8
12	1-512-010005-03	NUT, HEX LOCK 5/16-18	2
13	1-654-010051-06	SCREW, HEX HEAD CAP 3/8-16 X 1-1/4 GR5	4
14	2062-8-8S	ADAPTER 90	1
15	1-397-010302060	HOSE ASSEMBLY 60"	1
16	1-654-010050-07	SCREW, HEX HEAD CAP 5/16 -24 X 1-1/2 GR5	2
17	1-861-010032-09	WASHER, FLAT 5/16	4
18	1-654-010055-01	SCREW, HEX HEAD CAP 1/2-13 X 1 GR5	12
19	1-654-010055-03	SCREW, HEX HEAD CAP 1/2-13 X 1-1/2 GR5	4
20	CA-1595	MACHINE MOUNT 40 DUROMETER	4
21	1-512-010005-09	NUT, HEX LOCK 1/2-13 GRB	16
23	1-512-010005-05	NUT, HEX LOCK 3/8-16 GRB	8
24	1-271-010005-05	ELBOW, STR 3/4	1
25	5/16-18 X 2 HHCS	SCREW, HEX HEAD CAP 5/16-18 X 2 GR5	2
26	1-512-010005-01	NUT, HEX LOCK 1/4-20 GRB	2
27	3-368-010068	HARNESS, WIRING	1
28	3-765-010015	SWITCH ASSEMBLY, STARTER	1
29	3-565-010173	PLATE, CLAMP	1
30	3-565-010172	PLATE MOUNTING ENGINE CONTROLS	1
31	3-155-010012	THROTTLE CABLE	1
32	2071-8-8S	ADAPTER 90	1
33	102-0323	CAP NUT	1
34	1/4-20 X 1-1/4 CB	SCREW, RD HEAD SQ NECK 1/4-20 X 1-1/4	1
35	1-512-010007-05	NUT, HEX 1/4-20	1
36	111-1267	SCREW, RD HEAD SQ NECK 5/16-18 X 1-1/4 GR5	1
37	1-512-010007-06	NUT, HEX 5/16-18	1
38	3-850-010002	FUEL SOLENOID 12V DC	1
39	111-4255	SCREW RD HEAD MACH #10-32 X 5/8	2
40	1-861-010032-03	WASHER, FLAT #10	2
41	1-861-010034-07	WASHER SPLIT LOCK #10	2
42	102-0511	HOSE BARB	2
43	3-272-010021	ELECT. BUTT SPLICE	4
44	1-295-010001	RETURN LINE FILTER	1
45	2024-12-12S	ADAPTER, 90	2
46	3-014-010023	ANCHOR BOLT BATTERY	2
47	1-060-010004	BATTERY	1
48	3-156-010042	CABLE ASSEMBLY	2

42-11 HP HONDA ENGINE DRIVE INSTALLATION (OPTION)

ITEM	PART NO.	DESCRIPTION	QTY.
49	3-380-010006	HOLD DOWN BATTERY	1
50	3-273-010014	ENGINE, 11HP HONDA	1
51	1-397-010305060	HOSE ASSEMBLY 60"	1
52	237-2308-004	GROMMET 1" (NOT SHOWN)	1
53	3-482-010137	MOUNT FUEL SOLENOID	1
54	3-201-010002	CONDUIT, FLEX PLASTIC 3/8	1
55	106-0078	STRAIN RELIEF CONN 1/2	1
56	104-0505	HOSE FUEL LINE	2
57	105-0105	CLAMP, HOSE	4
58	#242 LOCKTITE	LOCKTITE 242	AR
59	1-861-010032-07	WASHER, FLAT 1/4	2
60	3-054-010066	BAR, 4 HOLE MOUNT	2
61	1-861-010032-15	WASHER, FLAT 1/2W	8
62	110-4337	KEY, STEEL	1
63	3-368-010252	MODIFIED HARNESS ASSEMBLY	1
64	1-822-010002-5	TRIM-LOK 3/16 X 23	1
65	1/4-20WN	WING NUT, 1/4-20	3
66	3-681-010056	COVER, ENG ACCESS	1
67	3-681-010057	COVER, HYD ACCESS	1
68	1-397-010318018	HOSE ASSEMBLY 1/2	1
69	3-007-010042	ADAPTER	1
70	STP-164	BULLET CONNECTOR, FEMALE	1
71	239-4890-3	FUSE, 20A	1
72	231-5153	FUSE HOLDER	1
73	238-6832	DIODE 6 AMP	1
74	239-3646-6	TERMINAL	1
75	239-3646-5	TERMINAL	1
76	3-846-010156	VALVE, RESTRICTOR ONE WAY	2



b3-115-023m

Figure 1-53 Toolbox and Mounting Installation

TOOLBOX AND MOUNTING INSTALLATION

ITEM	PART NO.	DESCRIPTION	QTY.
	B3-115-023	TOOLBOX AND MOUNTING INSTALLATION	
1	BSL-6-4	RIVET, LG FLANGE	4
2	RPRB59004X11	NYLATRON, RD 3/4 X 11	1
3	SCREW#6X3/8	SCREW, SELF TAP, SLT RD HEAD #6 X 3/8	1
4	1-512-010005-09	NUT, HEX LOCK 1/2-13 GRB	8
5	1-654-010055-03	SCREW, HEX HEAD CAP 1/2-13 X 1-1/2 GR5	8
6	1-861-010032-15	WASHER, FLAT 1/2W	4
7	110-0253	WASHER, FLAT 3/16	2
8	118-7962	SCREW, PAN HEAD MACH SLOTTED #10-24 X 1/2	2
9	3-115-010096	TOOLBOX DOOR WELDMENT	1
10	3-115-010097	TOOLBOX WELDMENT 23 X 23 X 15 RT	1
11	3-120-010285	BRACKET, TOOLBOX MOUNTING	2
12	3-443-010010	LATCH	1
13	3-659-010013-1	SEAL, NEOPRENE SPONGE	1
14	514-1000-056	TRIM, QUICKEDGE CUT 56" LONG	2
15	7-458-010009	PLATE, STRIKER	1

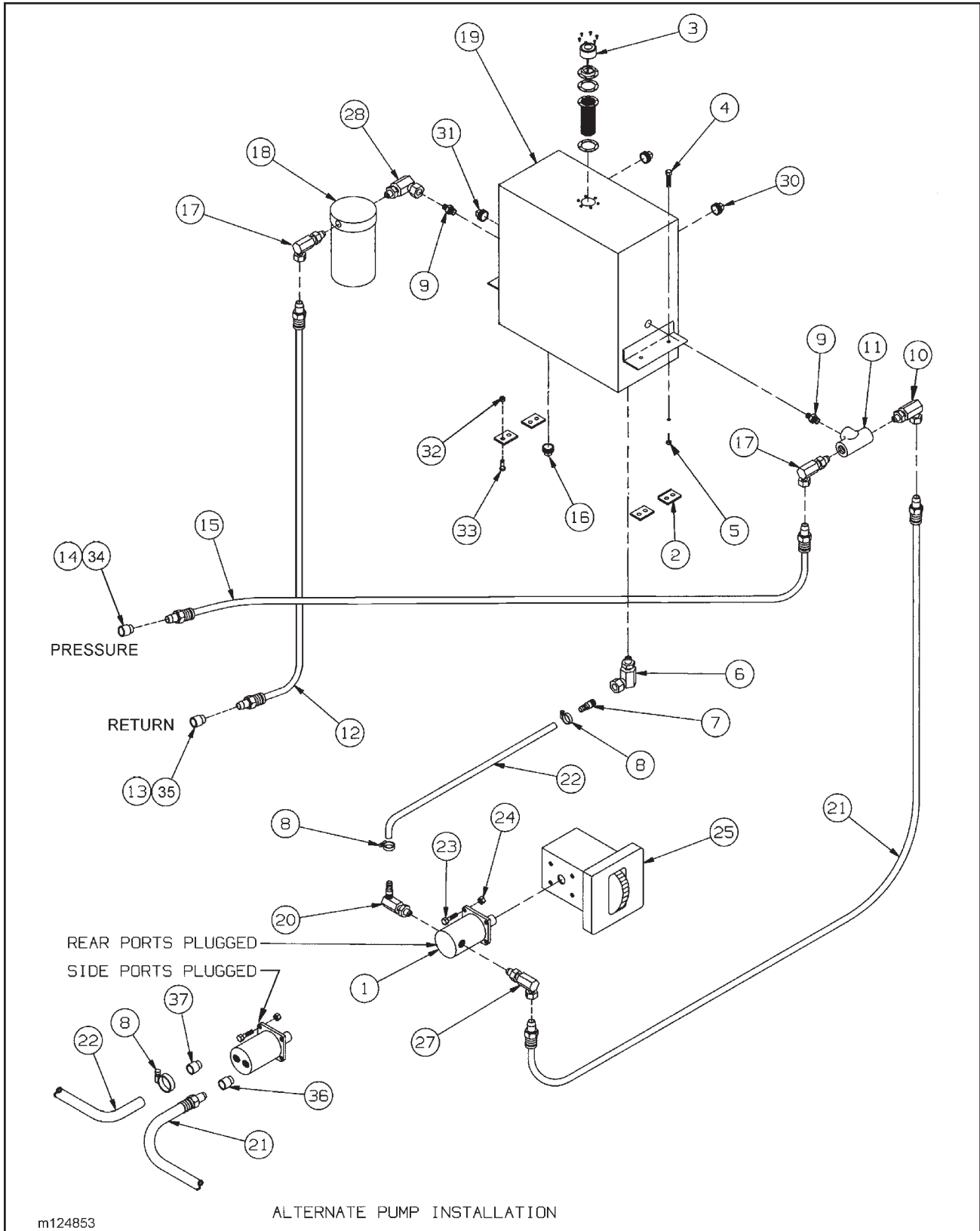


Figure 1-54 Hydraulic Wet Kit

HYDRAULIC WET KIT (OPTION)

ITEM	PART NO.	DESCRIPTION	QTY.
	124853	HYDRAULIC WET KIT	
1	3-591-010001	HYDRAULIC GEAR PUMP (SEE PAGE 1-95)	1
2	3-120-010461	BRACKET, HYDRAULIC TANK MOUNT SUPPORT	4
3	3-162-010001	FILLER, BREATHER STRAINER	1
4	1-654-010051-06	SCREW HEX HEAD CAP 3/8-16 X 1-1/4	4
5	1-512-010005-05	NUT HEX LOCK 3/8-16 GRB	4
6	1-1/4ST ELL	PIPE ELBOW 90	1
7	3-561-010001	HOSE, BARB	1
8	6828	CLAMP, HOSE	2
9	C3069X12	NIPPLE HEX	2
10	2024-12-8S	ADAPTER 90	1
11	125130	RD12D HYDRAULIC BY-PASS SRDD	1
12	106760	HOSE 3/4 X 164	1
13	105479	COUPLER FLAT FACE MALE NOSE	1
14	105480	COUPLER FLAT FACE FEMALE BODY	1
15	106759	HOSE 1/2 X 164	1
16	1-560-010002-07	PLUG, BLACK PIPE	1
17	2024-12-12S	ADAPTER 90	2
18	1-295-010001	FILTER, RETURN	1
19	3-786-010005	TANK HYDRAULIC	1
20	1-007-010006	ELBOW 90	1
21	1-397-010301100	HOSE ASSEMBLY 1/2 X 100	1
22	3-399-010001	HOSE 1-1/4 X 4 SUCTION	8'
23	1-654-010055-03	SCREW HEX HEAD CAP 1/2-13 X 1-1/2	4
24	1-861-010034-13	WASHER SPLIT LOCK 1/2	4
25	PTO	POWER TAKEOFF	1
27	2062-16-8S	ADAPTER 90	1
28	2047-12-12S	ELBOW 90 SWIVEL	1
30	1-560-010002-05	PIPE PLUG 3/4	2
31	1-560-010002-04	PIPE PLUG 1/2	1
32	1-512-010005-09	NUT HEX LOCK 1/2-13 GRB	4
33	1-654-010055-04	SCREW HEX HEAD CAP 1/2-13 X 1-1/2	4
34	105482	COUPLER DUST CAP FEMALE	1
35	105481	COUPLER DUST CAP MALE	1
36	12-16 070120	ADAPTER #12 TUBE/ #16 O-RING	1
37	107513	ADAPTER	1

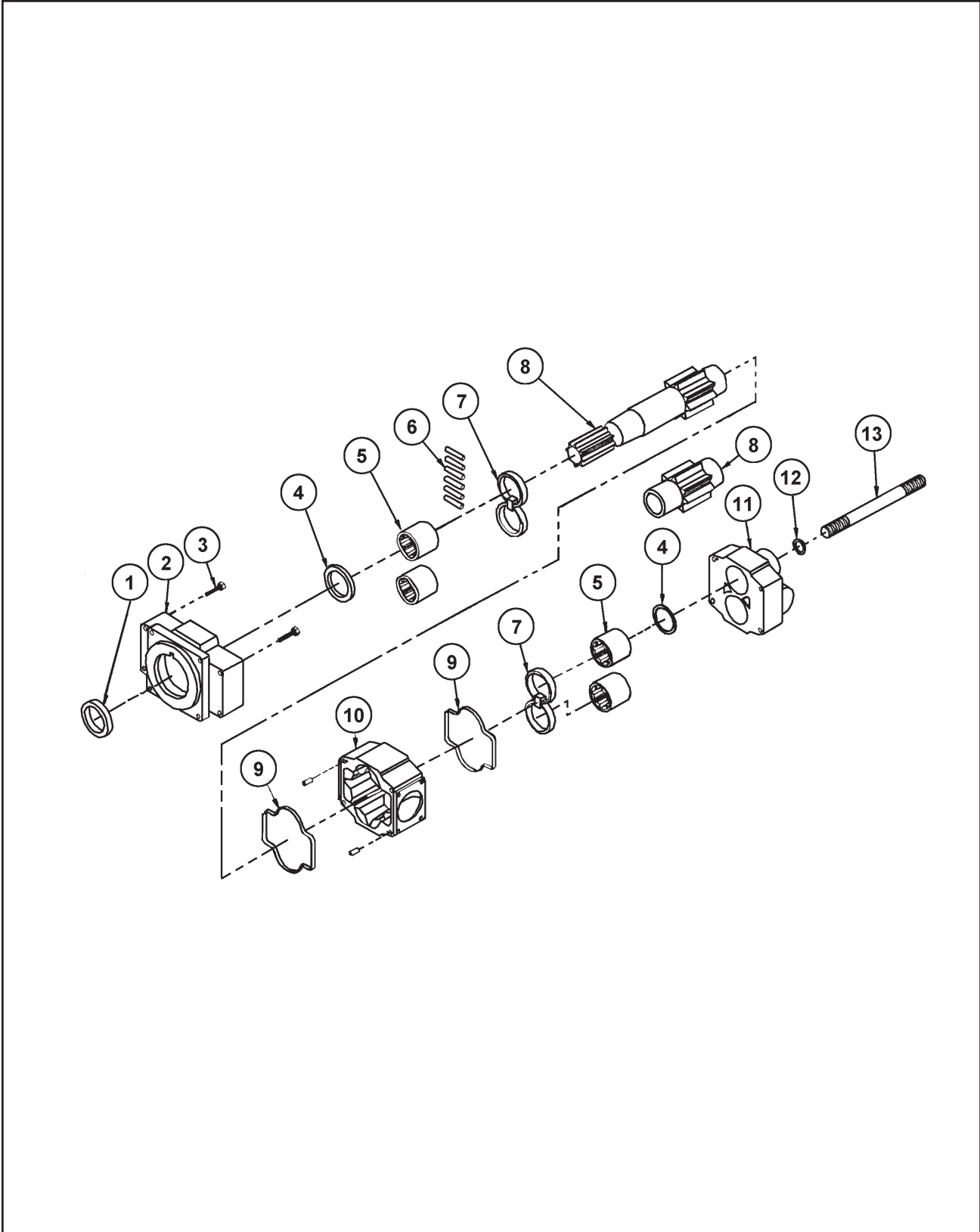


Figure 1-55 Hydraulic Pump, Wet Kit (Option)

HYDRAULIC PUMP, WET KIT (OPTION)

ITEM	PART NO.	DESCRIPTION	QTY.
	3-591-010001	HYDRAULIC PUMP ASSEMBLY	1
1	X73-37-16	SEAL SHAFT	1
2	EB 1685-3	COVER SHAFT END	1
3	M 1391-K	CHECK	2
4	LB 1669-1	SEAL RING	2
5	Y 1032	BEARING ROLLER	4
6	BA 3026-2	STRIP POCKET SEAL	1
7	AA 1058	PLATE THRUST	2
8	BD 1135M-3-17	GEAR SET SHAFT	1
9	UB 3006-242	GASKET HOUSING	2
10	RA 1688-17-64	HOUSING	1
11	XA 1603	PORT END	1
12	X 144-3	WASHER	1
13	X2-25	STUD	1
	391-1802-119	SEAL KIT	

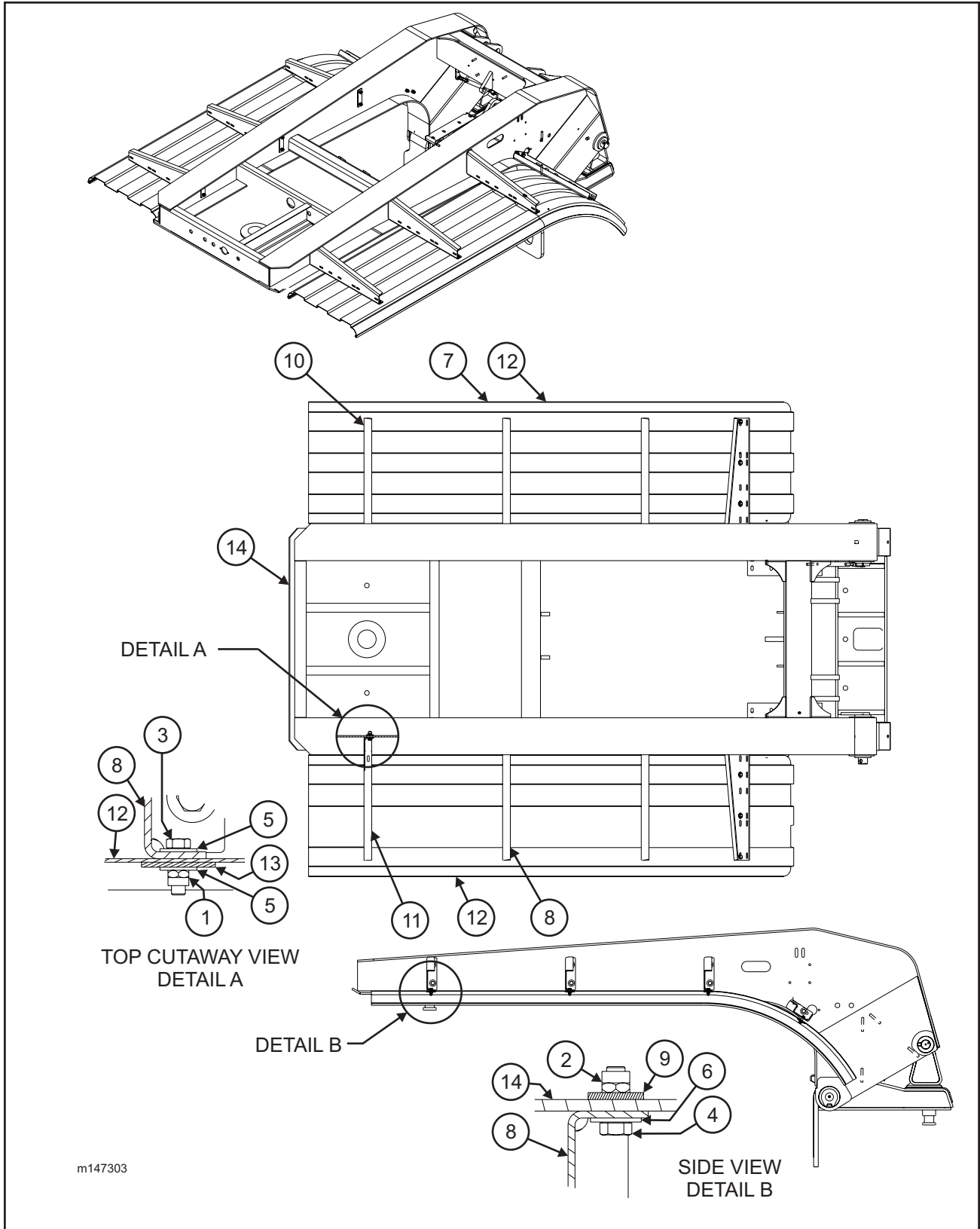


Figure 1-56 Fender Installation, 10'-7" G/N (Option)

FENDER INSTALLATION, 10'-7" G/N (OPTION)

ITEM	PART NO.	DESCRIPTION	QTY.
	147303	FENDER INSTALLATION, 10'-7" G/N	
1	1-512-010005-05	NUT, HEX LOCK 3/8-16 GRB	24
2	1-512-010005-09	NUT, HEX LOCK 1/2-13 GRB	16
3	1-654-010051-06	SCREW, HEX HEAD CAP 3/8-16 X 1-1/4 GR5	24
4	1-654-010055-03	SCREW, HEX HEAD CAP 1/2-13 X 1-1/2 GR5	16
5	1-861-010032-11	WASHER, FLAT 3/8W	48
6	1-861-010032-15	WASHER, FLAT 1/2W	16
7	136870	MOUNT FENDER/MUD FLAP RH	3
8	136781	MOUNT FENDER/MUD FLAP LH	3
9	136908	DOUBLER FENDER MOUNTING	6
10	143670	MOUNT FENDER/MUD FLAP RH	1
11	143671	MOUNT FENDER/MUD FLAP LH	1
12	147304	FENDER PLASTIC 26-3/8 X 105	2
13	147312	WASHER, BACK-UP FENDER MOUNT	24
14	----	GOOSENECK WELDMENT	REF

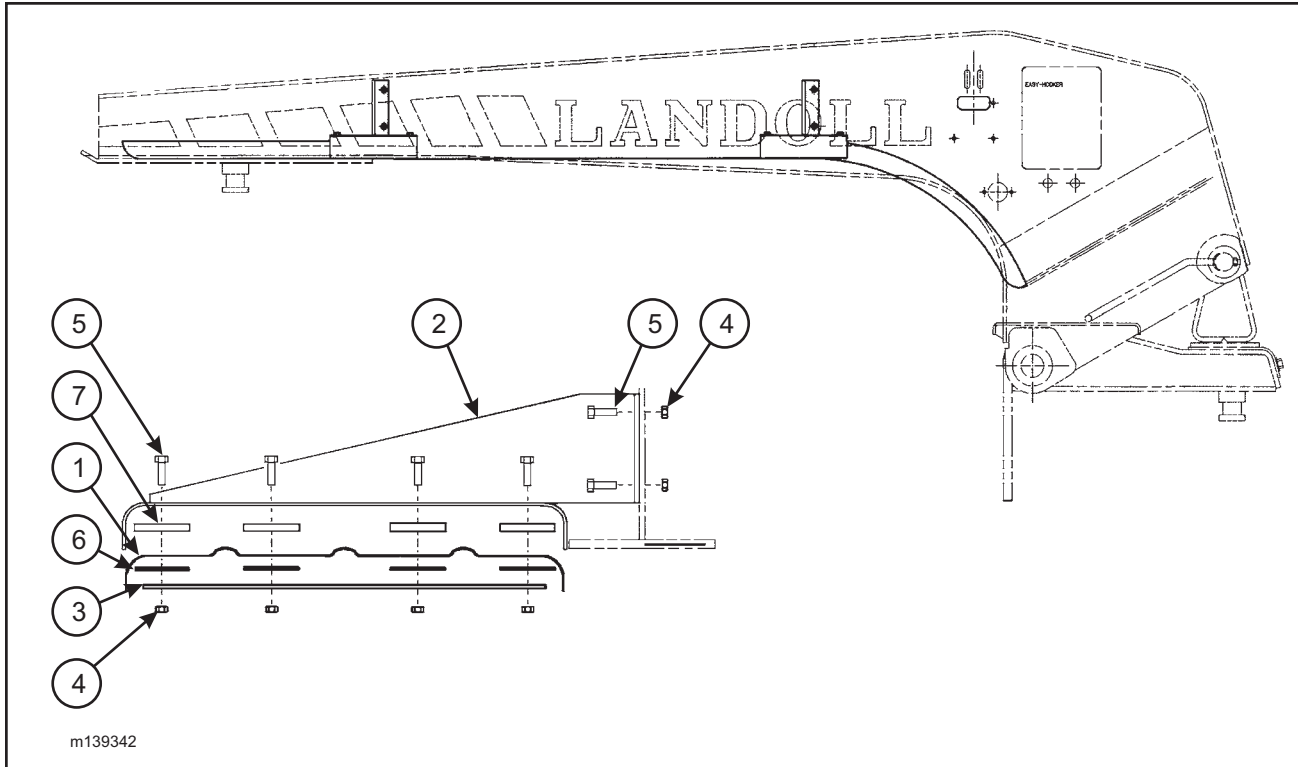


Figure 1-57 Fender Installation, 12' G/N (Option)

FENDER INSTALLATION, 12' G/N (OPTION)

ITEM	PART NO.	DESCRIPTION	QTY.
	139342	FENDER INSTALLATION	
1	139341	FENDER, 12' G/N W/ HOLES	2
2	3-292-010011	FENDER MOUNT WELDMENT	4
3	513-054	PLATE, BOTTOM MOUNTING FENDER	4
4	1-512-010005-05	NUT, HEX LOCK 3/8-16 GRB	40
5	1-654-010051-06	SCREW, HEX HEAD CAP 3/8-16 X 1-1/4	40
6	3-861-010015	WASHER, RUBBER	32
7	3-861-010016	WASHER, RUBBER	32

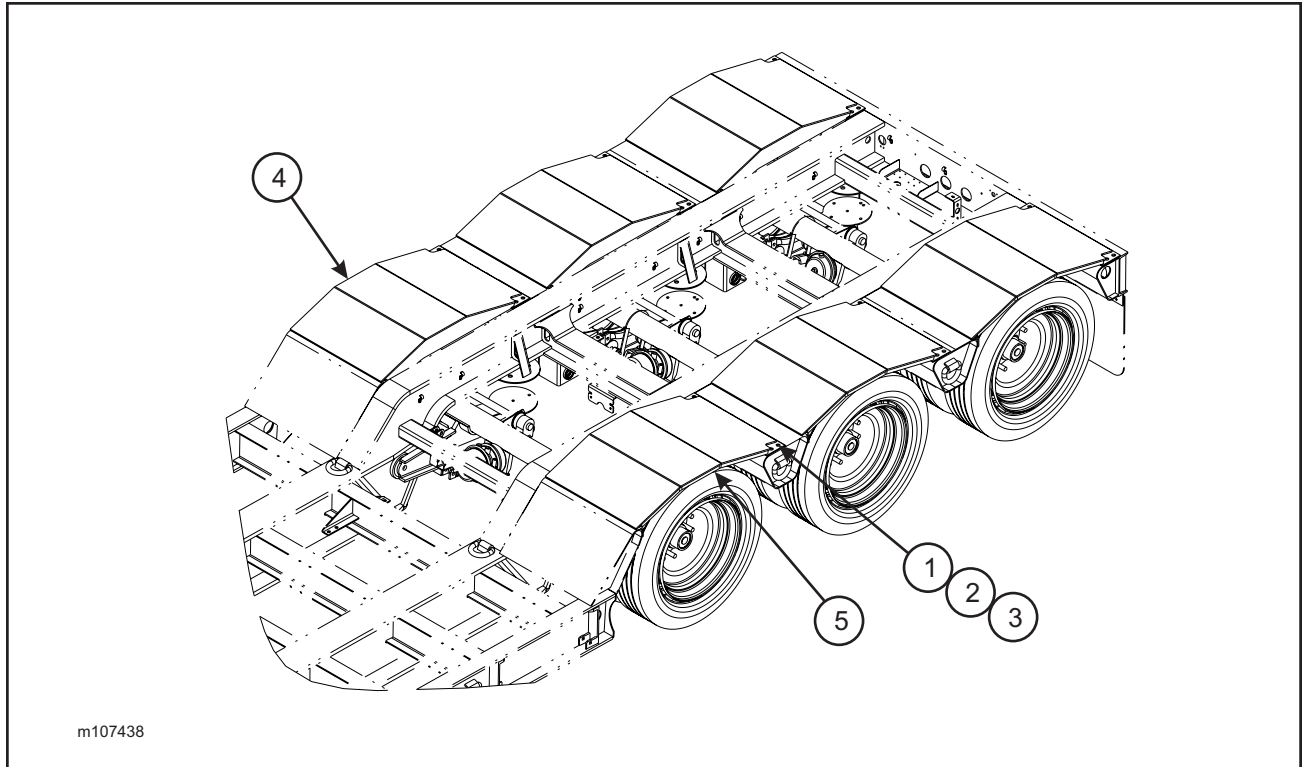


Figure 1-58 Wheel Cover Installation (Option)

WHEEL COVER INSTALLATION (OPTION)

ITEM	PART NO.	DESCRIPTION	QTY.
	107438	WHEEL COVER INSTALLATION, PAIR PER AXLE	
1	1-512-010007-12	NUT, HEX 3/4-10 GRB	8
2	1-654-010061-05	SCREW, HEX HEAD CAP 3/4-10 X 2 GR5	8
3	1-861-010034-17	WASHER, SPLIT LOCK 3/4	8
4	107433	RH WHEEL COVER WELDMENT	1
5	107434	LH WHEEL COVER WELDMENT	1

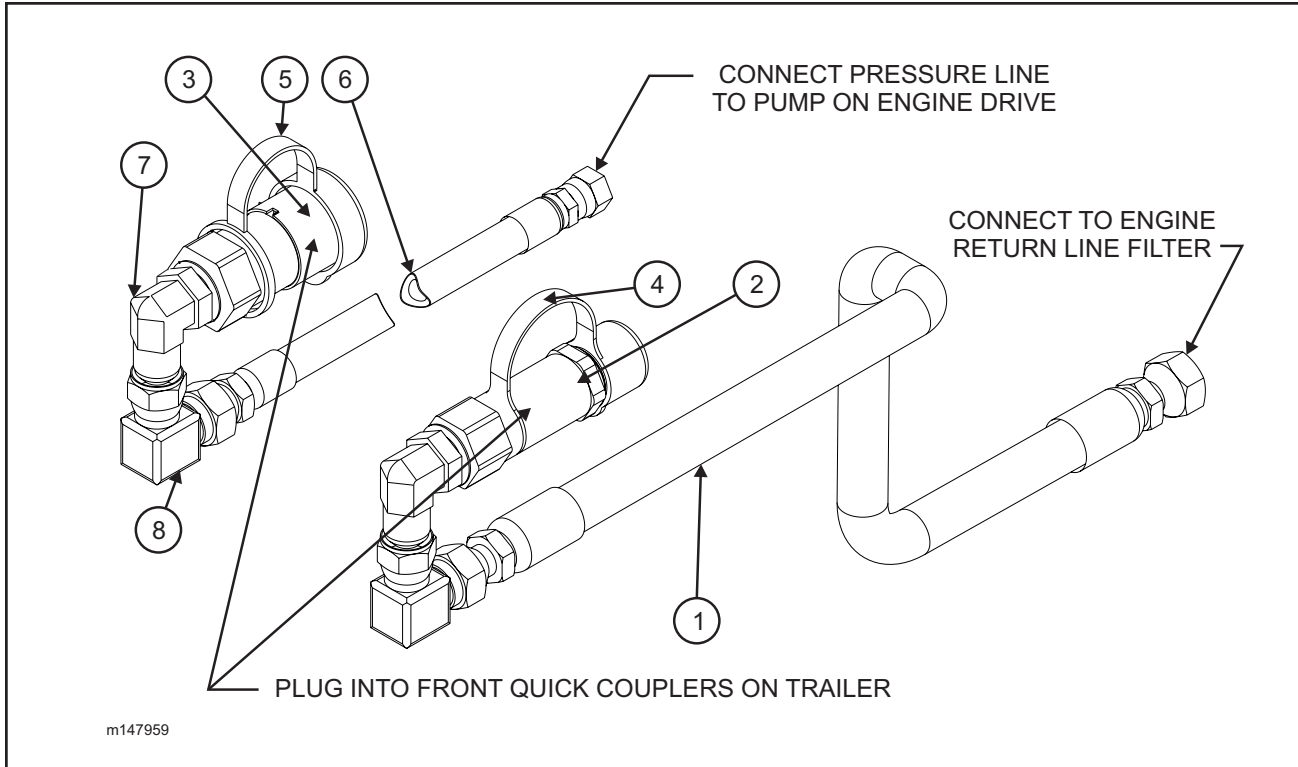


Figure 1-59 Dual Plumbing Installation (Option)

DUAL PLUMBING INSTALLATION (OPTION)

ITEM	PART NO.	DESCRIPTION	QTY.
	147959	DUAL PLUMBING INSTALLATION	
1	1-397-010304220	HOSE ASSEMBLY 3/4 X 220	1
2	105479	COUPLER, FLAT FACE MALE NOSE	1
3	105480	COUPLER, FLAT FACE FEMALE BODY	1
4	105481	COUPLER, DUST CAP MALE	1
5	105482	COUPLER, DUST CAP FEMALE	1
6	147958	HOSE ASSEMBLY 1/2 X 220	1
7	2062-12-12S	ADAPTER, 90	2
8	2071-12-12S	ADAPTER, 90	2
9	1-397-010302060	HOSE ASSEMBLY 1/2 X 60	-1
10	1-397-010305060	HOSE ASSEMBLY 3/4 X 60	-1

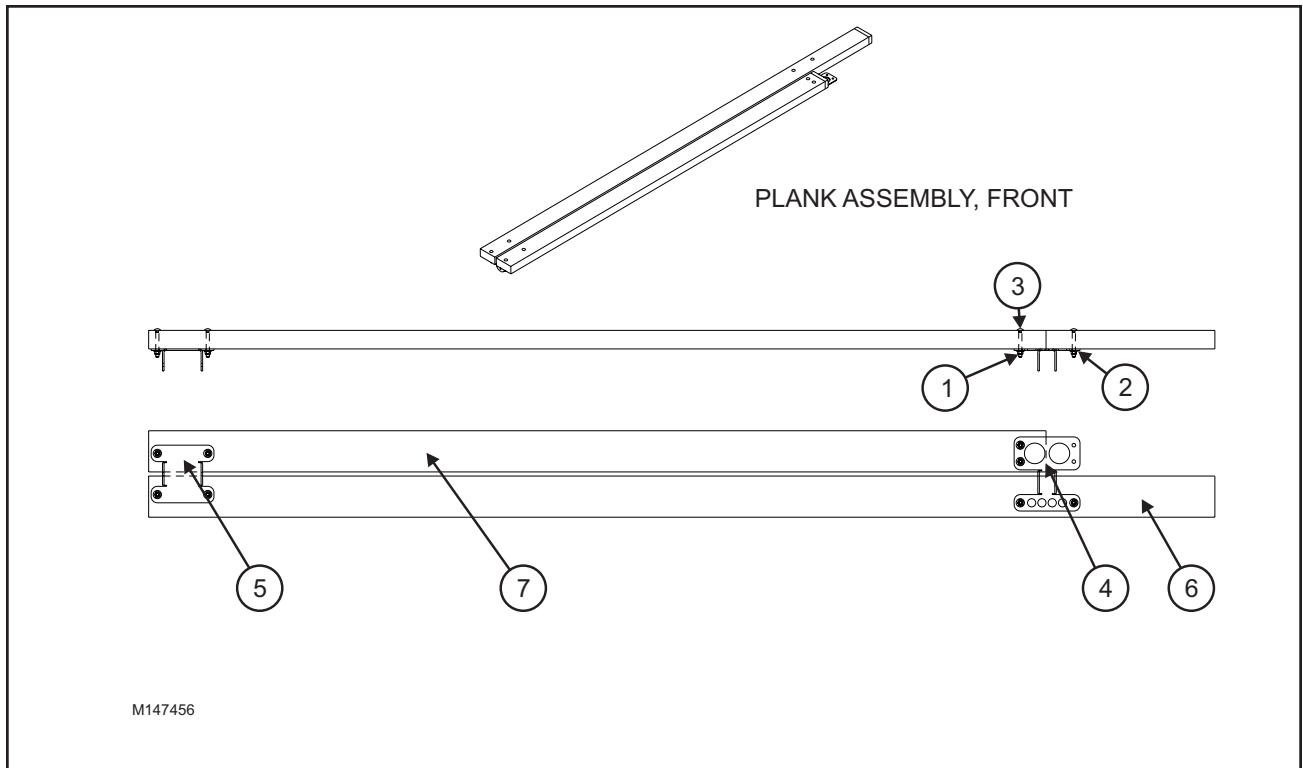


Figure 1-60 Plank Assembly, O/R Front (Option)

PLANK ASSEMBLY, O/R FRONT (OPTION)

ITEM	PART NO.	DESCRIPTION	QTY.
	147456	PLANK ASSEMBLY, O/R FRONT (329C)	
	148011	PLANK ASSEMBLY, O/R FRONT (327C)	
1	1-512-010003-14	NUT, ESNA 3/8-16	
2	1-654-010112-10	SCREW, RD HEAD SQ NECK 3/8-16 X 3-1/4 GR5 (147456)	
	123403	SCREW, RD HEAD SQ NECK 3/8-16 X 3 GR5 (148011)	
3	1-861-010032-11	WASHER, FLAT 3/8W	
4	137750	BRACKET, O/R PLANK END	
5	147437	BRACKET, O/R PLANK FRONT	
6	147438	PLANK, OUTRIGGER FRONT (147456)	
	148014	PLANK, OUTRIGGER FRONT 2 X 5 X 100 (148011)	
7	147454	PLANK, OUTRIGGER FRONT LH (147456)	
	148013	PLANK, OUTRIGGER FRONT LH 2 X 5 X 71-1/2 (148011)	

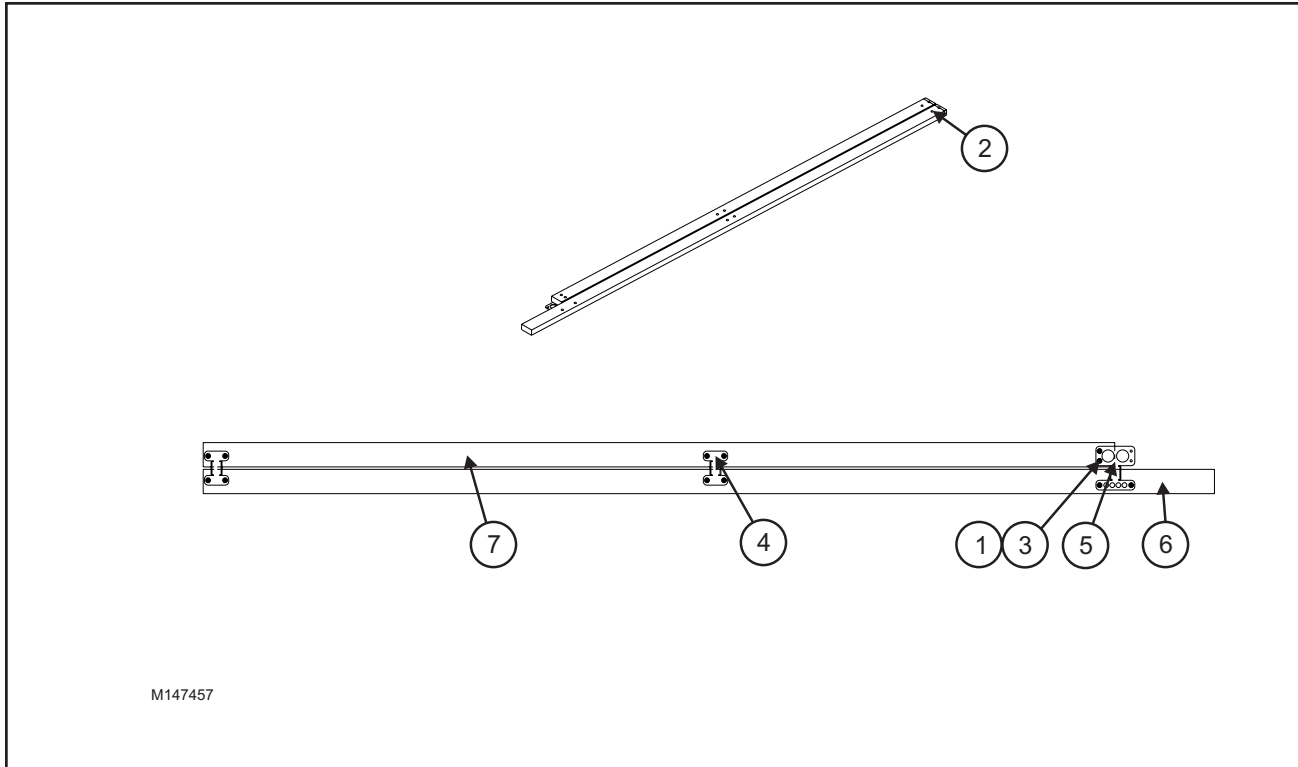


Figure 1-61 Plank Assembly, O/R Rear (Option)

PLANK ASSEMBLY, O/R REAR (OPTION)

ITEM	PART NO.	DESCRIPTION	QTY.
	147457	PLANK ASSEMBLY, O/R REAR (329C)	
	148012	PLANK ASSEMBLY, O/R REAR (327C)	
1	1-512-010003-14	NUT, ESNA 3/8-16	
2	1-654-010112-10	SCREW, RD HEAD SQ NECK 3/8-16 X 3-1/4	
3	1-861-010032-11	WASHER, FLAT 3/8W	
4	137749	BRACKET, O/R PLANK CENTER	
5	137750	BRACKET, O/R PLANK END	
6	147439	PLANK, OUTRIGGER REAR (147457)	
	148016	PLANK, OUTRIGGER REAR 2 X 5 X 103-1/2 (148012)	
7	147455	PLANK, OUTRIGGER REAR RH (147457)	
	148015	PLANK, OUTRIGGER REAR 2 X 5 X 79 (148012)	

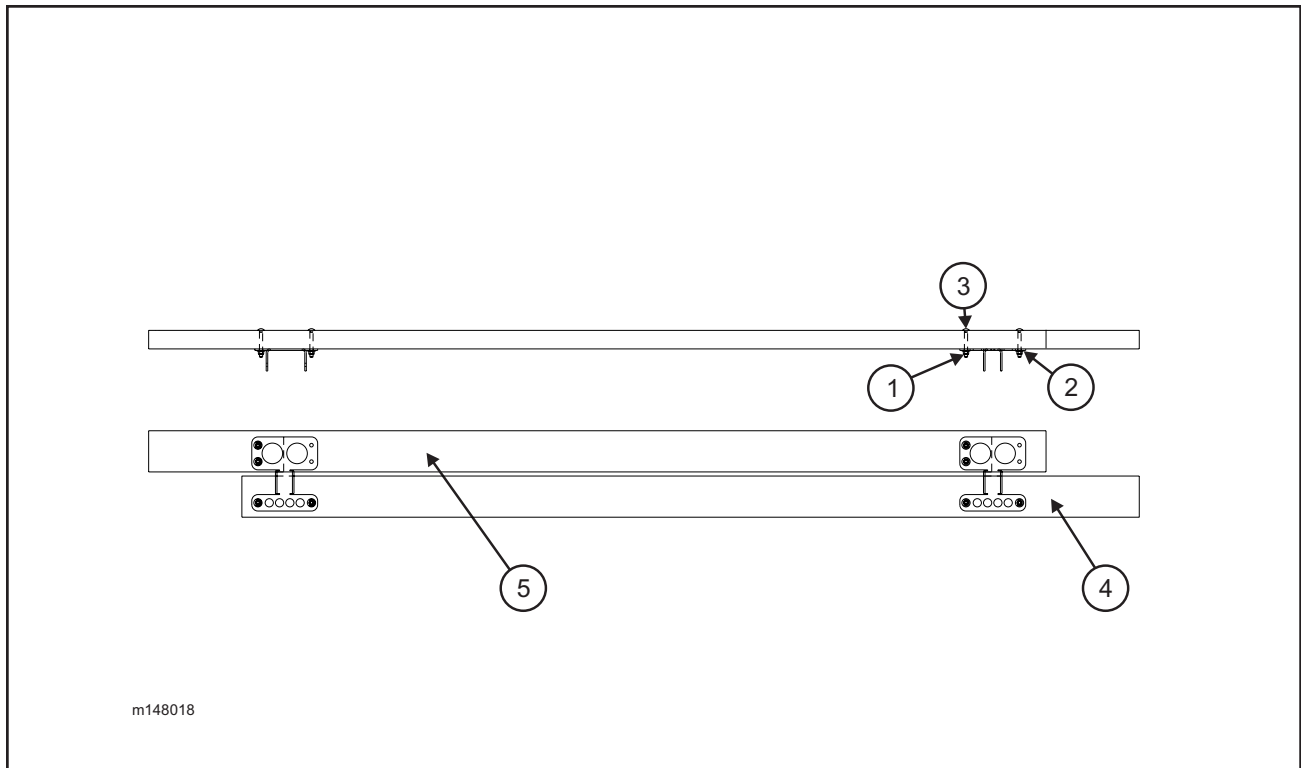


Figure 1-62 Plank Assembly, Outrigger Center (Option)

PLANK ASSEMBLY, OUTRIGGER CENTER (327C) (OPTION)

ITEM	PART NO.	DESCRIPTION	QTY.
	148018	PLANK ASSEMBLY, O/R CENTER (327C)	
1	1-512-010003-14	NUT, ESNA 3/8-16	
2	123403	SCREW, RD HEAD SQ NECK 3/8-16 X 3 GR5 (148011)	
3	1-861-010032-11	WASHER, FLAT 3/8W	
4	137750	BRACKET, O/R PLANK END	
5	148017	PLANK, OUTRIGGER 2 X 5 X 122-3/4	

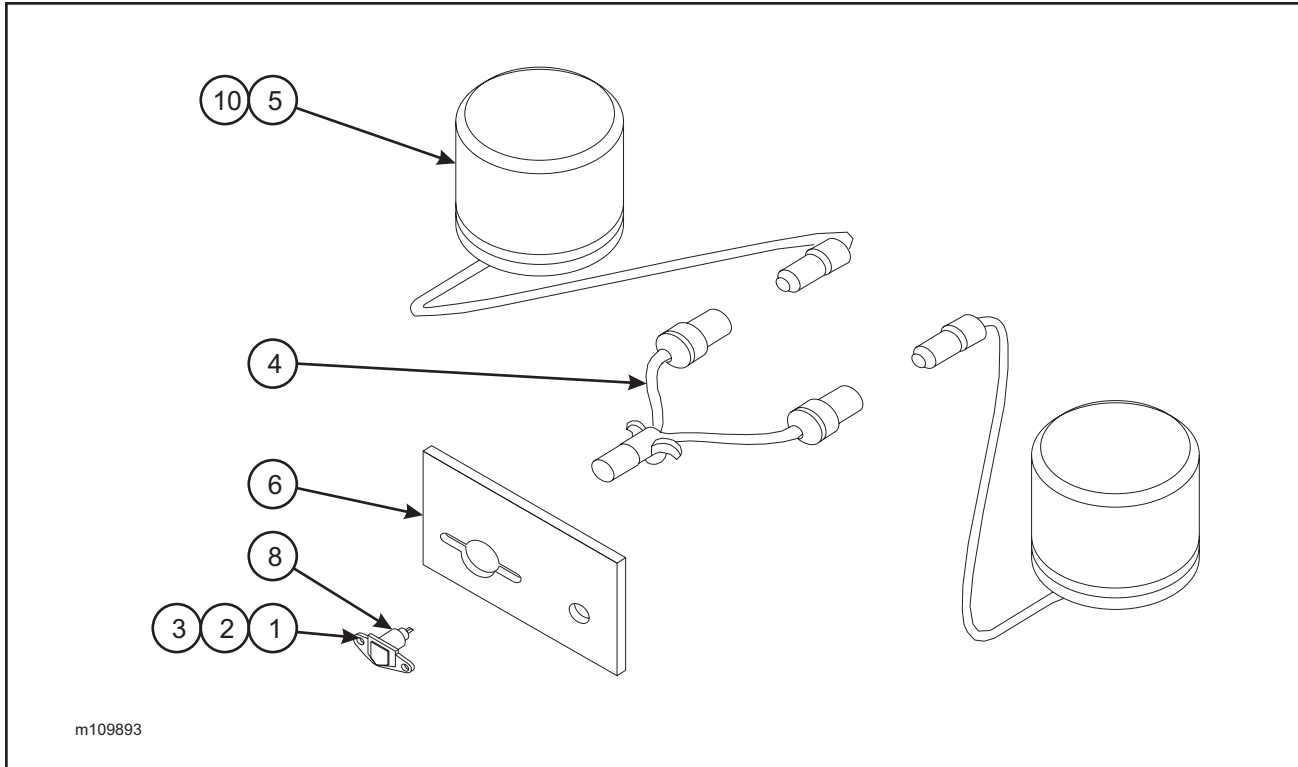


Figure 1-63 Strobe Light Electrical Installation (Option)

STROBE LIGHT ELECTRICAL INSTALLATION (OPTION)

ITEM	PART NO.	DESCRIPTION	QTY.
	109893	STROBE LIGHT ELECTRICAL INSTALLATION	
1	1-512-010005-01	NUT, HEX LOCK 1/4-20 GRB	2
2	1-654-010047-06	SCREW, HEX HEAD CAP 1/4-20 X 1 GR5	2
3	1-861-010032-07	WASHER, FLAT 1/4	2
4	105288	ELECTRICAL DC-Y ADAPTER MOD	1
5	106684	LIGHT, AMBER STROBE MAGNETIC BASE	2
6	109892	BRACKET, 4 WAY PLUG DETACH	1
7	3-156-010008	CABLE, 14-2 SO TWO CONDUCTOR (NOT SHOWN)	4
8	3-272-010003	CONNECTOR, ELECT 4 POLE	1
9	3-272-010022	ELECT BUTT SPLICE (NOT SHOWN)	2
10	127754	REPLACEMENT FLASH TUBE	1

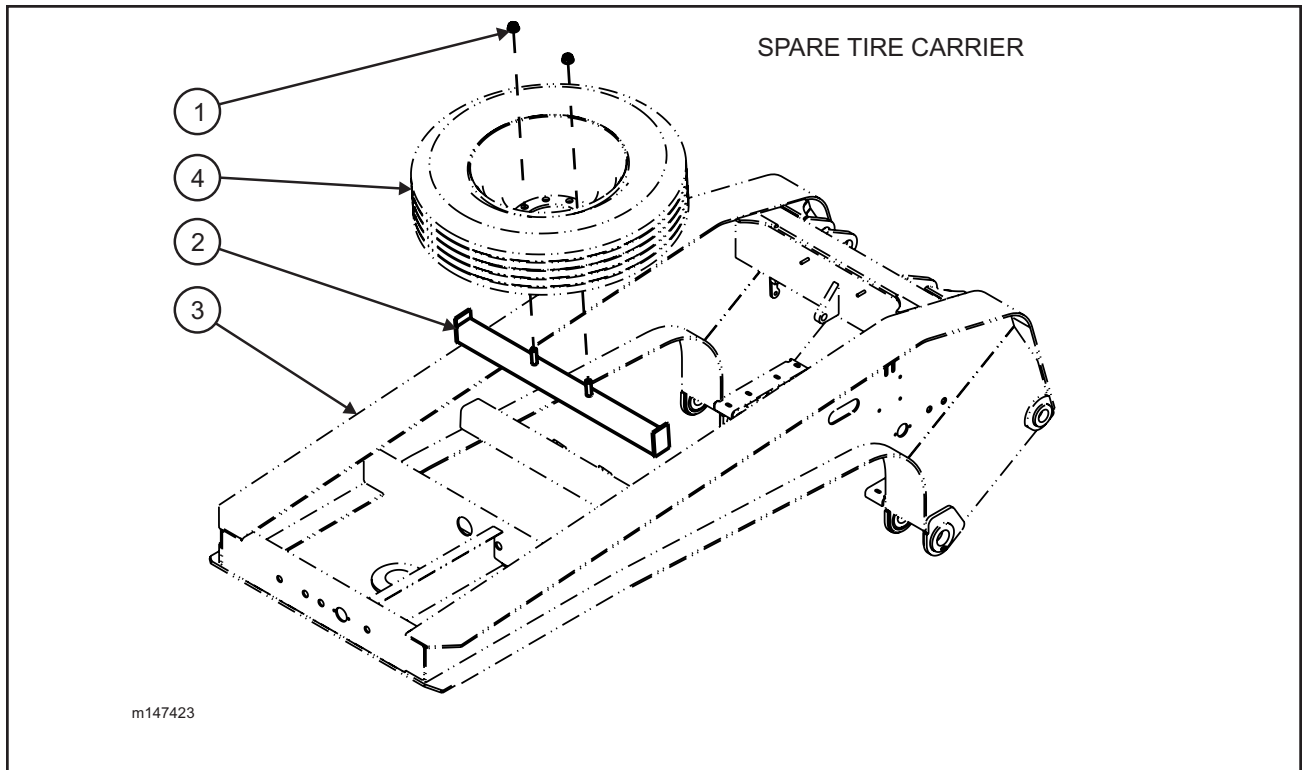


Figure 1-64 Spare Tire Carrier Installation (Option)

SPARE TIRE CARRIER INSTALLATION (OPTION)

ITEM	PART NO.	DESCRIPTION	QTY.
	147423	CARRIER, SPARE TIRE G/N	
1	103841	NUT, FLANGE PREVAILING TORQUE 3/4-10	2
2	147445	CARRIER WELDMENT, SPARE TIRE	1
3	----	GOOSENECK WELDMENT	REF
4	3-798-010070	TIRE, PILOT WHEEL 255 X 22.5 GY	REF

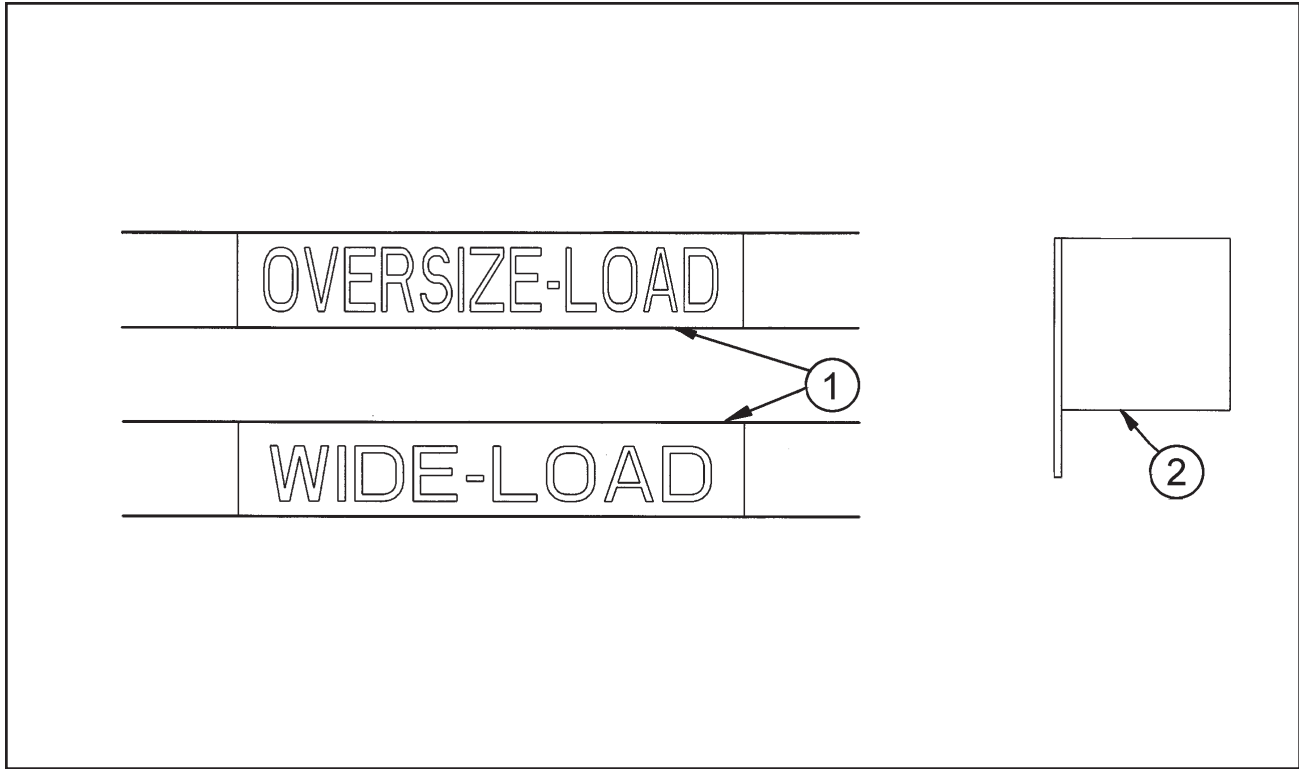


Figure 1-65 Spare Tire Carrier Installation (Option)

MISCELLANEOUS OPTIONS

ITEM	PART NO.	DESCRIPTION	QTY.
	105297	BANNER/FLAG KIT WIDE/OVS LS	
1	106655	BANNER WIDE/OVERSIZE LOAD	1
2	106654	FLAG, OVERWIDTH	6
	137108	HUBODOMETER INSTALLATION (NOT SHOWN)	
3	112529	BRACKET, HUBODOMETER	1
4	113109	HUBODOMETER, 572 RPM	1

NOTES:

NUMERICAL INDEX

PART	PAGE	PART	PAGE	PART	PAGE
#242 LOCKTITE	089	056-017-00	051	101386	069
0001-02	049	056-018-00	051	1014-4	083
0001-04	049	0600-250-01000	021	101528	025
0001-08	049	0600-375-01500	069	101528	028
0001-14	049	0600-500-02750	031	101851	065
0002-07	049	061-006-00	051	101855	073
0002-12	049	062700041	015	1019-4	083
005-096-00	051	062900005	017	102-0323	088
005-098-00	051	063100060	019	102-0511	088
005-099-00	051	0647-01	049	1021	083
005-134-00	051	0650-00	049	102186	079
006-114-00	051	069-078-00	051	102732	033
006-115-00	051	071-122-00	051	102732	035
0075-20	049	071-124-00 (3067)	053	1035-20	049
010-052-00	051	071900006	012	103738	063
0102-13	049	072700034	015	103841	105
010800006	012	072900003	017	103861	065
014-056-00	051	073100050	019	104043	075
014-058-00	051	0741-01	049	104-0505	089
014-065-00	051	081900231	012	104188	021
014-068-00	051	082700039	015	104188	023
021-038-01 (4009)	053	082900004	017	104188	061
021500089	017	083100036	019	104278	055
021500090	015	097-002-00	051	104369	077
021500208	019	097-003-00	051	1046	083
024-100-00	051	1/2 W R CLAMP	021	105-0094	009
0274-01	049	1/2 W R CLAMP	023	105-0105	089
034-057-01	051	1/2-20 ESNA	031	105288	104
034-058-01	051	1/2-20 X 1-3/4CS	031	105297	106
034-192-08	051	1/4 X 3	008	105390	039
034-193-08	051	1/4-20 X 1-1/4 CB	088	105408	045
0375-00	049	1/4-20WN	089	105408	047
040-180-00	051	100000326	012	105479	008
041-058-01	051	100000326	013	105479	093
041-059-01	051	1004-3	083	105479	100
046-096-00	051	1004-6	083	105480	008
046-097-00	051	100600	079	105480	093
0508-00	049	1-007-010006	093	105480	100
051900009	012	10078	081	105481	009
051900012	013	101160	053	105481	093
055-040-06	051	101386	009	105481	100

PART	PAGE	PART	PAGE	PART	PAGE
105482	009	111021	035	11402	081
105482	093	111030	045	11404	081
105482	100	111031	045	11405	081
105483	008	111033	045	11407	081
105822	073	111033	047	11411	081
105898	013	111034	047	11414	081
1-060-010004	088	111035	047	11419	081
106-0078	089	111036	045	11420	081
106654	106	111036	047	11421	081
106655	106	111037	047	11425	081
106684	104	111038	047	11426	082
106759	093	111-1267	088	11427	081
106760	093	111416	053	114282	021
107433	099	111-4255	088	114282	033
107434	099	1114-5	083	11429	081
107438	099	111652	053	11430	081
107513	093	111786	013	11431	081
108801	007	111787	013	11434	081
108802	007	111789	013	11435	082
109892	104	111790	013	11440	081
109893	104	111793	013	11441	081
1-1/4ST ELL	093	111911	013	11442	081
110-0253	091	112193	021	11445	081
110-0361	009	112193	033	11446	081
11005066	043	112193	037	11449	081
110-05-099	045	112193	041	114553	085
110-05-104	047	112324	039	114584	061
11014	082	112325	039	114586	059
11025	082	112326	039	114586	063
11026	081	112326	041	114586	065
11026	082	112529	106	114587	059
110-3494	009	112576	021	114587	061
110-4337	089	112950	067	114587	063
110616	045	112951	067	114588	065
110618	021	112952	067	114590	059
110618	045	112953	037	114590	061
110620	047	112953	041	114590	063
110622	021	112961	067	114590	065
110622	047	11309	081	114741	069
110744	075	11310	081	115717	049
110975(2023——T)	053	113109	106	115717	051
110976(66884)	053	113950	021	115722	051
111010	045	11398	082	115752	021

PART	PAGE	PART	PAGE	PART	PAGE
115752	063	12783	081	1-297-010015-07	059
115756	021	128436	075	1-297-010015-07	061
115756	063	1-295-010001	088	1-297-010015-07	063
115757	021	1-295-010001	093	1-297-010020-02	039
115757	063	1296	083	1-297-010022-03	059
11599	081	1-297-010007-05	037	1-297-010022-03	061
116536	008	1-297-010007-05	039	1-297-010022-03	063
116606	015	1-297-010007-05	041	1-298-010001-1	007
117304	059	1-297-010007-11	007	130116	056
117304	061	1-297-010007-11	033	130116	073
117304	063	1-297-010008-05	037	13028	082
11791	082	1-297-010008-05	039	130511	009
118-2650-6	059	1-297-010008-05	041	130521	056
118-2650-6	061	1-297-010008-07	033	130522	056
118-2650-6	063	1-297-010008-07	037	130877	067
118-2659-9	059	1-297-010008-07	039	130878	067
118-2659-9	061	1-297-010008-07	041	131762	067
118-2659-9	063	1-297-010008-18	037	131763	067
11842	082	1-297-010008-18	041	131764	067
118-7962	091	1-297-010008-18	059	132547	057
12073	081	1-297-010008-18	061	13413	082
121355	025	1-297-010008-18	063	13424	082
121355	028	1-297-010008-20	007	1-343-010006	008
12146	082	1-297-010008-20	059	1-343-010006	055
12-16 070120	093	1-297-010008-20	061	1-343-010007	009
12228	082	1-297-010008-20	063	1-343-010007	055
123403	101	1-297-010008-26	059	1-343-010007	059
123403	103	1-297-010008-26	061	136781	097
1-242-010004	012	1-297-010008-26	063	136870	097
1-242-010048	008	1-297-010009-02	039	136908	097
1-242-010048	012	1-297-010010-01	037	137108	106
1-242-010179-3	008	1-297-010010-01	039	137540	067
1-242-010179-3	013	1-297-010010-01	041	137749	102
12465	081	1-297-010010-03	033	137750	101
124853	093	1-297-010010-04	033	137750	102
125130	093	1-297-010010-04	037	137750	103
125565	017	1-297-010010-06	059	1-384-010038024	059
125565	019	1-297-010010-06	063	1-384-010038024	061
126359	075	1-297-010013-16	059	1-384-010038024	063
1-271-010005-05	088	1-297-010013-16	061	1-384-010038030	061
12767	082	1-297-010013-16	063	1-384-010038060	061
127754	104	1-297-010015-02	037	1-384-010038072	059
12781	082	1-297-010015-02	041	1-384-010038072	061

PART	PAGE	PART	PAGE	PART	PAGE
1-384-010038072	063	140932	059	144418	023
1-384-010038090	059	140939	037	144418	049
138472	069	140940	041	144609	055
138663	019	141900037	012	144614	028
139125	067	141900037	013	144614	028
139126	067	142108	012	144614	028
139315	021	142442	025	144679	055
139315	063	142442	028	144680	055
139327	067	142445	025	144721	023
139328	067	142445	028	146897	055
139341	098	142446	025	146898	055
139342	098	142446	028	146922	025
13938	082	142446	028	146922	028
1-397-010301024	008	142447	028	146925	056
1-397-010301030	008	142447	028	146926	055
1-397-010301032	008	142451	028	146926	056
1-397-010301040	008	142453	028	146927	056
1-397-010301051	008	142453	028	146949	007
1-397-010301100	093	142453	028	146951	007
1-397-010302060	088	142545	025	146952	021
1-397-010302060	100	142545	028	146952	023
1-397-010304016	088	142553	025	146952	055
1-397-010304220	100	142553	028	146953	021
1-397-010305060	089	143100	055	146953	023
1-397-010305060	100	143101	055	146953	025
1-397-010305145	008	143102	055	146954	021
1-397-010306108	008	143103	055	146954	028
1-397-010306136	008	143105	055	147303	097
1-397-010318018	089	143106	055	147304	097
140019	056	143108	055	147305	077
140020	056	143109	055	147306	077
140020	057	143110	055	147310	077
140021	056	143111	055	147310	085
140022	056	143112	055	147312	097
140355	069	143114	055	147315	085
140447	067	143117	055	147316	085
140448	067	143118	055	147423	105
140450	043	143119	055	147427	007
140772	043	143121	055	147429	021
140773	043	143670	097	147429	028
140774	043	143671	097	147437	101
140931	069	144417	023	147438	101
140932	021	144417	049	147439	102

PART	PAGE	PART	PAGE	PART	PAGE
147445	105	1-512-010005-05	008	1-560-010002-04	059
147454	101	1-512-010005-05	021	1-560-010002-04	061
147455	102	1-512-010005-05	023	1-560-010002-04	063
147456	101	1-512-010005-05	059	1-560-010002-04	093
147457	102	1-512-010005-05	061	1-560-010002-05	059
147956	021	1-512-010005-05	063	1-560-010002-05	063
147956	028	1-512-010005-05	071	1-560-010002-05	088
147958	100	1-512-010005-05	079	1-560-010002-05	093
147959	100	1-512-010005-05	088	1-560-010002-07	093
147962	007	1-512-010005-05	093	1644	083
148011	101	1-512-010005-05	097	1-647-010004213	021
148012	102	1-512-010005-05	098	1-647-010004213	023
148013	101	1-512-010005-09	007	1-654-010047-04	035
148014	101	1-512-010005-09	067	1-654-010047-06	059
148015	102	1-512-010005-09	069	1-654-010047-06	061
148016	102	1-512-010005-09	077	1-654-010047-06	063
148017	103	1-512-010005-09	079	1-654-010047-06	104
148018	103	1-512-010005-09	088	1-654-010047-07	075
1-510-010001	025	1-512-010005-09	091	1-654-010047-08	009
1-510-010001	028	1-512-010005-09	093	1-654-010049-03	053
1-510-010001	059	1-512-010005-09	097	1-654-010049-05	039
1-510-010001	061	1-512-010005-15	021	1-654-010049-05	041
1-510-010001	063	1-512-010005-15	023	1-654-010049-06	007
1-510-010001	077	1-512-010005-15	045	1-654-010049-06	039
1-512-010003-06	037	1-512-010005-15	047	1-654-010049-07	071
1-512-010003-06	039	1-512-010007-03	008	1-654-010050-07	088
1-512-010003-06	041	1-512-010007-03	055	1-654-010051-05	008
1-512-010003-14	101	1-512-010007-05	088	1-654-010051-05	025
1-512-010003-14	102	1-512-010007-06	008	1-654-010051-05	028
1-512-010003-14	103	1-512-010007-06	071	1-654-010051-05	045
1-512-010004-05	061	1-512-010007-06	088	1-654-010051-05	047
1-512-010005-01	009	1-512-010007-09	045	1-654-010051-05	088
1-512-010005-01	035	1-512-010007-09	047	1-654-010051-06	077
1-512-010005-01	059	1-512-010007-12	099	1-654-010051-06	079
1-512-010005-01	063	1-522-010004-04	067	1-654-010051-06	088
1-512-010005-01	075	1-533-010001	069	1-654-010051-06	093
1-512-010005-01	088	1-557-010014	069	1-654-010051-06	097
1-512-010005-01	104	1-557-010362-63	007	1-654-010051-06	098
1-512-010005-03	039	1-557-010362-63	031	1-654-010051-07	021
1-512-010005-03	039	1-557-010362-65	071	1-654-010051-07	023
1-512-010005-03	041	1-560-010002-03	059	1-654-010051-08	059
1-512-010005-03	071	1-560-010002-03	061	1-654-010051-08	061
1-512-010005-03	088	1-560-010002-03	063	1-654-010051-08	063

PART	PAGE	PART	PAGE	PART	PAGE
1-654-010051-09	009	18034	081	1-861-010032-11	103
1-654-010051-09	071	18035	081	1-861-010032-15	007
1-654-010055-01	007	18047	081	1-861-010032-15	031
1-654-010055-01	088	18056	082	1-861-010032-15	067
1-654-010055-03	067	1-822-010002-5	089	1-861-010032-15	069
1-654-010055-03	088	1-833-010001	033	1-861-010032-15	079
1-654-010055-03	091	1-833-010001	037	1-861-010032-15	089
1-654-010055-03	093	1-833-010001	039	1-861-010032-15	091
1-654-010055-03	097	1-833-010001	041	1-861-010032-15	097
1-654-010055-04	077	1-833-010002	007	1-861-010032-21	031
1-654-010055-04	079	1-833-010002	033	1-861-010034-07	007
1-654-010055-04	093	1-833-010002	059	1-861-010034-07	008
1-654-010055-05	069	1-833-010002	061	1-861-010034-07	055
1-654-010055-14	067	1-833-010002	063	1-861-010034-07	088
1-654-010055-17	079	1-833-010003	059	1-861-010034-10	008
1-654-010059-01	007	1-833-010003	061	1-861-010034-10	053
1-654-010059-09	007	1-833-010003	063	1-861-010034-11	008
1-654-010061-05	021	1-861-010032-03	009	1-861-010034-13	007
1-654-010061-05	023	1-861-010032-03	088	1-861-010034-13	045
1-654-010061-05	099	1-861-010032-04	009	1-861-010034-13	047
1-654-010061-13	045	1-861-010032-07	009	1-861-010034-13	067
1-654-010061-13	047	1-861-010032-07	059	1-861-010034-13	079
1-654-010070-13	069	1-861-010032-07	063	1-861-010034-13	093
1-654-010090-04	031	1-861-010032-07	069	1-861-010034-15	007
1-654-010112-10	101	1-861-010032-07	075	1-861-010034-17	099
1-654-010112-10	102	1-861-010032-07	089	1-861-010059-21	008
1655	083	1-861-010032-07	104	1865	083
1-656-010003051	008	1-861-010032-08	071	1-879-010010	057
1-656-010003051	037	1-861-010032-09	009	1897-A1	014
1-656-010003051	039	1-861-010032-09	039	1897-A1	014
1-656-010003051	041	1-861-010032-09	041	1897-C1	014
1-656-010003051	055	1-861-010032-09	088	1897-D1	014
167-0022	069	1-861-010032-10	079	1897-E1	014
170003008	011	1-861-010032-11	009	19014	081
170301212	013	1-861-010032-11	021	190400002	012
1-796-010003-01	075	1-861-010032-11	023	190400004	012
1-796-010003-02	008	1-861-010032-11	059	19045	081
179933	053	1-861-010032-11	061	200013106	013
18002	082	1-861-010032-11	063	200300040	012
18003	082	1-861-010032-11	088	200300040	013
18009	081	1-861-010032-11	097	200300040	015
18022	081	1-861-010032-11	101	200300040	017
18033	081	1-861-010032-11	102	200300040	019

PART	PAGE	PART	PAGE	PART	PAGE
2021-2-4	025	2-242-010084	014	3-054-010012	021
2021-2-4	028	2-242-010084	015	3-054-010045	031
2024-12-12S	088	2263	083	3-054-010066	089
2024-12-12S	093	2265-6	083	3-054-010124	021
2024-12-8S	093	22695	082	3-115-010018	077
2024-2-4S	025	22697	082	3-115-010096	091
2024-2-4S	028	22703	082	3-115-010097	091
202702-10-8S	077	22704	082	3-120-010191	009
202702-8-8S	008	2-272-010109	057	3-120-010192	009
2033-8-8S	008	22729	082	3-120-010194	009
2047-12-12S	093	22775	081	3-120-010285	091
2061-8-8S	008	23078	082	3-120-010461	093
2061-8-8S	077	23079	082	3-128-010032	057
2062-10-12S	008	23081	082	3-150-010034	031
2062-10-12S	088	23142	082	3-150-010113	009
2062-10-8S	077	231-5153	089	3-155-010012	088
2062-12-12S	100	23183	082	3-156-010008	104
2062-16-8S	093	23245	082	3-156-010026	007
2062-8-8S	008	23310	082	3-156-010042	088
2062-8-8S	088	2331-A1	018	3-162-010001	088
2071-12-12S	100	2331-A1	018	3-162-010001	093
2071-8-8S	088	2331-C1	018	3-164-010003	007
2083-8-4S	033	2331-D1	018	3-164-010006	007
2083-8-8S	059	2331-E1	018	3-164-010011	007
2083-8-8S	061	23353	082	3-174-010038	077
2083-8-8S	063	23367	081	3-174-010039036	077
2109-3	083	237-2308-004	089	3-187-010001	069
2-174-010025	071	238-6832	089	3-201-010002	089
2-174-010029	071	239-3646-5	075	3-220-010004	007
2175	083	239-3646-5	089	3-220-010004	059
2177	083	239-3646-6	089	3-220-010004	061
2180	083	239-3650-1	057	3-220-010004	063
2-181-010001	008	239-4890-3	089	3-220-010005	007
2-181-010001	077	2480	083	3-220-010005	059
2183	083	270010002	015	3-220-010005	061
21964	082	28942	081	3-220-010005	063
220000210	012	28943	081	3-220-010010	088
220000212	013	3/4-16 ESNA	031	3-222-010220	009
220000219	017	3-007-010042	089	3-242-010096	008
220000219	019	3-014-010023	088	3-242-010096	016
220001512	011	3-054-010004	021	3-242-010096	017
22055	081	3-054-010004	023	3-242-010097	008
2-242-010084	008	3-054-010008	021	3-242-010097	018

PART	PAGE	PART	PAGE	PART	PAGE
3-242-010097	019	3-410-010729	069	3-573-010124	073
3-272-010003	056	3-410-010912	088	3-573-010126	073
3-272-010003	104	3-432-010006	049	3-573-010148	073
3-272-010021	057	3-432-010007	049	3-573-010156	073
3-272-010021	088	3-443-010010	091	3-573-010191	073
3-272-010022	104	3-458-010014	031	3-573-010193	073
3-272-010157	057	3-458-010015	031	3-573-010194	073
3-273-010014	089	3-458-010016	031	3-573-010338	073
3-292-010011	098	3-458-010018	031	3-573-010377	073
3-298-010002-1	021	3-458-010019	031	3-591-010001	093
3-298-010002-1	031	3-458-010022	021	3-591-010001	095
3-311-013428	007	3-458-010022	023	3-591-010010	088
3-311-013451	007	3-458-010022	031	3-619-010134	071
3-311-013452	007	3-481-010006	083	3-619-010159	071
3-311-014652	031	3-481-010007	079	3-619-010214	071
3-311-015001	069	3-481-010007	083	3-619-010253	071
3-311-015042	007	3-482-010051	088	3-619-010254	071
3-336-010012	007	3-482-010137	089	3-619-010255	071
3-336-010039	007	3-485-010001	021	3-642-010049	007
3-336-010046	007	3-485-010001	023	3-654-010129-2	009
3-336-010061	007	3-557-010169	008	3-659-010012	053
3-360-010030	007	3-557-010170	008	3-659-010013-1	091
3-360-010031	008	3-557-010172	071	3-681-010056	089
3-360-010031	011	3-557-010206	008	3-681-010057	089
3-360-010031	077	3-557-010236	007	3-681-010069	088
3-360-010033	008	3-557-010237	007	3-707-010001	071
3-360-010034	009	3-557-010239	007	3-711-010006	007
3-360-010036	009	3-557-010251	009	3-711-010016	009
3-360-010072	011	3-557-010252	009	3-711-010054	007
3367-A1	016	3-557-010253	009	3-720-010010	079
3367-A1	016	3-557-010268	007	3-720-010024	069
3367-C1	016	3-557-010269	031	3-720-010030	049
3367-D1	016	3-557-010386	007	3-720-010035	031
3367-E1	016	3-561-010001	093	3-720-010036	021
3-368-010068	088	3-565-010172	088	3-720-010036	023
3-368-010252	089	3-565-010173	088	3-720-010078	071
3-380-010006	089	3-573-010044	073	3-762-010017	021
3-384-010031	059	3-573-010045	073	3-762-010017	023
3-384-010031	061	3-573-010046	073	3-765-010015	088
3-384-010031	063	3-573-010047	073	3-780-010002	033
3-395-010001	055	3-573-010048	073	3-780-010002	059
3-395-010001	075	3-573-010049	073	3-780-010002	061
3-399-010001	093	3-573-010121	073	3-780-010002	063

PART	PAGE	PART	PAGE	PART	PAGE
3-786-010005	093	671400037	011	90516762	043
3-786-010037	088	671400040	011	90520918	043
3-798-010070	105	671700014	011	90554676	043
3-846-010041	008	67170012	011	90557203	043
3-846-010041	011	671900010	011	934-00-149	045
3-846-010041	085	671900013	011	934-00-149	047
3-846-010156	089	6828	093	934-00-498	045
3-850-010002	088	71600214	077	934-00-498	047
3-861-010015	098	7-458-010009	091	934-00-506	045
3-861-010016	098	758-181	059	934-00-506	047
3-861-010022	031	758-181	061	936-00-077	045
3-861-010037	007	758-181	063	936-00-077	047
3-870-010106	053	7HCGHT500	077	936-00-162	045
3-870-010110	053	805-2	059	936-00-162	047
3-870-010116	053	805-2	061	941 00 119	035
3-873-010123	079	805-2	063	941 00 466	035
3-873-010123	081	81077	081	941-00-590	045
3-873-010129-2	077	81078	081	941-00-648	045
3-873-010129-2	079	81080	081	941-00-684	045
3-885-010004	009	81081	081	941-00-685	045
391-1802-119	095	81082	081	94100687	047
5/16-18 X 1-1/2EB	071	88005	082	94100790	047
5/16-18 X 2 HHCS	088	9/16UNC	012	941-00-832	045
513-054	098	900 54 007	035	941-00-832	047
514-1000-056	091	90008186	047	95	009
516-22PTL	021	90031027	043	95	077
516-22PTL	023	90044130	043	AA 1058	095
5210	007	900-44-162	045	B3-115-023	091
55B61	007	900-44-162	047	B3-872-012	001
55B61-6	007	900-44-206	039	B7-246-001	021
55B61-7	007	900-54-079	037	B7-246-001	023
56D4	059	900-54-079	039	B7-246-002	021
56D4	061	900-54-079	041	B7-619-002	071
56D4	063	900-54-082	039	B7-619-003	071
59S-7	008	900-54-088	037	B7-619-004	071
59W-2-3	008	900-54-088	039	BA 3026-2	095
660401002	011	900-54-088	041	BD 1135M-3-17	095
670300030	011	900-54-211	039	BSL-6-4	091
670400012	077	900-54-280	039	C3069X12	093
670500044	011	905 54 107	035	CA-1595	088
670500047	011	90501341	043	D-2H16	051
671400033	011	905-08-019	045	EB 1685-3	095
671400036	011	905-08-238	045	HM212011	053

PART	PAGE
HM212049	053
HM218210	053
HM218248	053
K71-135-00	051
K71-136-00	051
K71-138-00	051
LB 1669-1	095
M 1391-K	095
M110AB-4	083
M110C-1	083
PA-2328-2	083
PMCK AG-891	019
PMCK-AF-857	017
PMCK-AH-261	015
PMCK-SAE-34000	013
PTO	093
RA 1688-17-64	095
RPRB59004X11	091
RRT346X18.875	071
RWD39000	009
SCREW#6X3/8	091
SK 1897	014
SK 2331	018
SK 3367	016
STP-164	089
SVE21	011
SVH1BA2AB	011
SVI15	011
SVJ1BA2AC	011
TR545D	053
TR573	053
UB 3006-242	095
X 144-3	095
X2-25	095
X73-37-16	095
XA 1603	095
XA-1704	031
XA-3542-R	031
XB-2149	031
XM-44000065	043
Y 1032	095



Intertek

Equipment from Landoll Corporation is built to exacting standards ensured by ISO 9001 registration at all Landoll manufacturing facilities.

**Model 325C/326C/327C/329C
Semitrailer
Parts Manual**

Re-Order Part Number F-491-1107

LANDOLL CORPORATION

1900 North Street

Marysville, Kansas 66508

(785) 562-5381

800-428-5655 ~ WWW.LANDOLL.COM



Copyright 2014. Landoll Corporation

“All rights reserved, including the right to reproduce this material or portions thereof in any form”