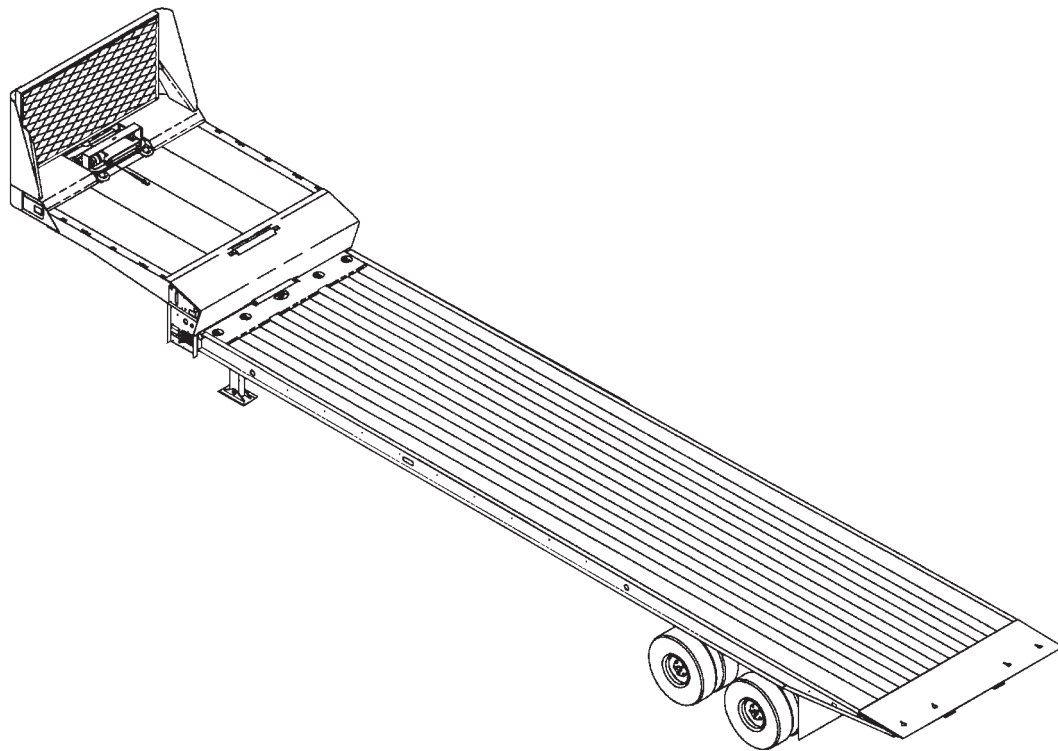




**MODEL 600C SERIES
SEMITRAILER
OPERATOR'S MANUAL**



**1900 North Street
Marysville, KS 66508
(785)562-5381**

F-477-0808



LANDOLL COMPANY, LLC.

TRAILER FIVE YEAR LIMITED WARRANTY POLICY

Landoll Company, LLC. warrants each new Trailer structure manufactured by Landoll Company, LLC. to be free from defects in materials and workmanship. This limited warranty is subject to specific exclusions and does not apply to any trailer which has been: 1) subjected to or operated with loads which, at any time, have exceeded the trailer's rated capacity or design limits; 2) repaired or altered outside our factory in any way so as, in our judgment, to affect its stability or reliability; 3) subject to misuse, negligence, accident, or has been operated in a manner expressly prohibited in the instructions; or not operated in accordance with practices approved by Landoll Company, LLC. Trailer structure shall be considered the framework of the trailer (mainframe and/or rear frame weldment, gooseneck weldment and undercarriage weldment) which is fabricated by Landoll Company, LLC.

The sole obligation of Landoll Company, LLC. under this warranty shall be limited to repairing or replacing, at its option, in accordance with the schedule below, a defective new Trailer structure which shall be identified to Landoll Company, LLC. by way of a Landoll Company, LLC. e-mail Warranty Claim Form within five (5) years from the date of registration of Trailer. Warranty, expressed or implied, will be denied on any Trailer not properly registered with the Landoll Company, LLC. Warranty Department within ten (10) days of the first retail sale. Landoll Company, LLC. Warranty Staff will identify components listed on a Warranty Claim required to be returned for further analysis. All parts returned to Landoll Company, LLC. must be shipped with a Return Materials Authorization (RMA) provided by the Landoll Company, LLC. Warranty Staff. Defective components must be returned by the purchaser to Landoll

Company, LLC. with transportation and freight charges prepaid within fifteen (15) days after receipt of the RMA. The examination conducted by Landoll Company, LLC. of returned parts shall disclose to its satisfaction the extent the component may be defective.

All labor and parts warranty MUST be authorized by Landoll Company, LLC. Warranty Staff. Failure to do so will result in no warranty payment of any kind. Labor will be reimbursed in accordance with published shop rates pre-approved by the Landoll Company, LLC. Warranty Staff. Time authorized for specific work will be limited, where appropriate, to the hours listed in the Landoll Company, LLC. authorized Flat Rate Schedule.

THIS WARRANTY IS EXPRESSLY IN LIEU OF ALL OTHER WARRANTIES OF MATERIAL, WORKMANSHIP, DESIGN, APPLICATION OR OTHERWISE WITH RESPECT TO ANY EQUIPMENT, WHETHER EXPRESS OR IMPLIED, INCLUDING WARRANTIES OF MERCHANTABILITY AND FITNESS FOR A PARTICULAR PURPOSE, AND OF ALL OTHER OBLIGATIONS OR LIABILITIES ON THE PART OF LANDOLL COMPANY, LLC.

New Trailer Structure Schedule: Landoll Company, LLC. shall bear that portion of the cost of repairing or replacing the new structure of the Trailer found to be defective within a sixty (60) month warranty period prorated on the following basis:

One (1) Year - 100% Three (3) Years - 70% Five (5) Years - 50%
Two (2) Years - 80% Four (4) Years - 60%

All Bottom Dump and Industrial and Utility Tag Trailers are exempt from the 5 year structural warranty and carry a 12 month structural warranty, due to the rugged and abusive off road use in which these off road units typically operate, and are subject to the Component Schedule below.

Component Schedule: Components manufactured by Landoll Company, LLC. (other than the Structure) and Components supplied by other manufacturers shall be warranted under the following schedule:

- I. Axles, Suspensions, Landing Gear, Wheels, Rims, Hubs, Rollers and Cam Followers,
Hydraulic Valve Body and other Landoll Company, LLC. Components.
Coverage: 1 year 100%, Over 1 year 0%
- II. Air Lines, Springs, Air Bags, Leveling Valves, Bearings, Brake Valves, Paint, Oil Seals, Engines,
Brake Drums, Shock Absorbers, Electrical, Cylinders, Wear Plates, Hydraulic Hoses & Connections
Coverage: 1 - 6 months 100% Over 6 months 0%
- III. Tires and Tubes Coverage: Warranty claims must be made directly to the tire dealers.
- IV. Wood Components Coverage: 0%

This warranty does not expand, enlarge upon or alter in any way, the warranties provided by the original manufacturers and suppliers of component parts and accessories. This warranty excludes such parts or accessories which are not defective, but may wear out and have to be replaced during the warranty period, including, but not limited to, light bulbs, paint, brake lining, brake drums, wood pieces and the like. (Tire Warranties are expressly excluded from Landoll Company, LLC. warranty herein.) Purchaser is expected to pay all re-pairs or replacement costs, in connection with this Agreement, including sales and other taxes immediately upon completion of work performed.

LIMITATION OF LIABILITY: Landoll Company, LLC. shall not be liable to purchaser for any incidental or consequential damages suffered by the purchaser, including, but not limited to, any commercially reasonable charges, expenses or commissions incurred in connection with effecting cover or any other reasonable expense incident to the delay or other breach of warranty by Landoll Company, LLC., any loss of or damage to any cargo loaded or shipped in or on the Trailer, loss of anticipated profits, transportation expenses due to repairs, non-operation or increased expense of operation costs of purchased or replaced equipment, claim of customers, cost of money, any loss of use of capital or revenue, equipment rental, roadside assistance, or for any special damage or loss of any nature arising at any time or from any cause whatsoever.

LIMITATION OF REMEDY: In the event of Landoll Company, LLC. failure to repair the Trailer subject to the warranty contained herein, the purchaser's sole and exclusive remedy against Landoll Company, LLC. shall be for the repair or replacement of any defective part or parts of the Trailer subject to work or repair within the time period and manner set forth herein. This exclusive remedy shall not be deemed to have failed of its essential purpose so long as Landoll Company, LLC. is willing and able to repair or replace defective parts in the pre-scribed manner.



**MODEL 600C SERIES
SEMITRAILER
OPERATOR'S MANUAL**

PURCHASED FROM: _____ **DATE** ____ / ____ / ____

ADDRESS: _____

PHONE NO.: _____ **SERIAL NO.:** _____

REPORTING SAFETY DEFECTS

If you believe that your vehicle has a defect which could cause a crash or could cause injury or death, you should immediately inform the National Highway Traffic Safety Administration (NHTSA) in addition to notifying Landoll Manufacturing.

If NHTSA receives similar complaints, it may open an investigation, and if it finds that a safety defect exists in a group of vehicles, it may order a recall and remedy campaign. However, NHTSA cannot become involved in individual problems between you, your dealer, or Landoll Manufacturing.

To contact NHTSA, you may either call the Auto Safety Hotline toll-free at 1-800-424-9393 (or 366-0123 in Washington, D.C. area) or write to: NHTSA, U.S. Department of Transportation, Washington, D.C. 20590. You can also obtain other information about motor vehicle safety from the Hotline.

In the event of a defect or problem with your LANDOLL equipment, please notify LANDOLL COMPANY, LLC.:

**LANDOLL COMPANY, LLC.
SALES AND SERVICE
1900 NORTH STREET
MARYSVILLE, KANSAS 66508**

**OR PHONE:
1-800-HAULLOLL
(1-800-428-5655)
FAX NO.: (785)562-3240
FOR REPLACEMENT PARTS:
(785)562-4650
1-800-423-4320
FAX NO.: (785) 562-4654**

TABLE OF CONTENTS

SECTION	DESCRIPTION	PAGE NO.
1	INTRODUCTION	1-1
2	STANDARD SPECIFICATIONS.	2-1
3	OPERATING INSTRUCTIONS.	3-1
3-1	GENERAL.	3-1
3-2	PRE-COUPLING OF SEMITRAILER AND TRACTOR	3-3
3-3	COUPLING OF THE TRACTOR TO THE SEMITRAILER	3-4
3-4	CONNECTING TRACTOR SERVICES TO THE SEMITRAILER.	3-4
3-5	TRACTOR AND SEMITRAILER CHECK-OUT	3-5
3-6	TOWING THE SEMITRAILER.	3-7
3-7	PARKING THE TRAILER.	3-8
3-8	UNCOUPLING TOWING VEHICLE FROM SEMITRAILER	3-9
3-9	TRAILER TILT LEVER.	3-9
3-10	AXLE CONTROL LEVER	3-10
3-11	SWINGOUT OUTRIGGER PLATFORM EXTENSION SET-UP (OPTION).	3-10
3-12	PULL OUT EXTENSIONS.	3-11
3-13	LOADING PROCEDURE	3-12
3-14	UNLOADING PROCEDURE	3-15
3-15	WORK LIGHT (OPTIONAL)	3-17
3-16	WINCH CONTROLS.	3-17
3-17	DOCK LEVELER CONTROL OPERATION (OPTION)	3-19
3-18	HYDRAULIC POWER SUPPLY ENGINE OPERATION (OPTION)	3-22
3-19	AIR RIDE OPERATION	3-23
3-20	BULKHEAD (OPTION).	3-24
3-21	REMOTE CONTROL (OPTION)	3-25
3-22	REAR IMPACT GUARD SYSTEM.	3-27
3-23	ANTI-LOCK BRAKE SYSTEM (ABS)	3-28
3-24	COLD WEATHER OPERATION	3-29
3-25	HOT WEATHER OPERATION	3-29
4	MAINTENANCE AND LUBRICATION	4-1
4-1	MAINTENANCE SCHEDULE	4-1
4-2	MAINTENANCE PROCEDURES.	4-5
4-3	GOOSENECK, FRAME, AND DECK.	4-8
4-4	HYDRAULIC SYSTEM	4-9
4-5	ELECTRICAL SYSTEM	4-13
4-6	SUSPENSION MAINTENANCE.	4-13
4-7	ALIGNMENT	4-17
4-8	BRAKE SYSTEM MAINTENANCE	4-20
4-9	HUB AND DRUM MAINTENANCE	4-27
4-10	WHEEL BEARING LUBRICATION AND ADJUSTMENT.	4-29
4-11	TIRE MAINTENANCE.	4-30
4-12	WINCHES	4-32
4-13	DOCK LEVELERS	4-32
4-14	CRANK LANDING GEAR.	4-34
5	TROUBLESHOOTING	5-1

SAFETY PRECAUTIONS



THIS IS THE SAFETY ALERT SYMBOL. IT IS USED TO ALERT YOU TO POTENTIAL INJURY HAZARDS. OBEY ALL SAFETY MESSAGES THAT FOLLOW THIS SYMBOL TO AVOID POSSIBLE INJURY OR DEATH.

DANGER

DANGER INDICATES AN IMMEDIATELY HAZARDOUS SITUATION WHICH, IF NOT AVOIDED, WILL RESULT IN DEATH OR SERIOUS INJURY.

WARNING

WARNING INDICATES A POTENTIALLY HAZARDOUS SITUATION WHICH, IF NOT AVOIDED, COULD RESULT IN DEATH OR SERIOUS INJURY.

CAUTION

CAUTION INDICATES A POTENTIALLY HAZARDOUS SITUATION WHICH, IF NOT AVOIDED, MAY RESULT IN MINOR OR MODERATE INJURY.

CAUTION

CAUTION USED WITHOUT THE SAFETY ALERT SYMBOL INDICATES A POTENTIALLY HAZARDOUS SITUATION WHICH, IF NOT AVOIDED, MAY RESULT IN PROPERTY DAMAGE.



This manual provides operating, servicing, and maintenance instructions, for Model 600C semitrailer, manufactured by Landoll Company, LLC., Marysville, Kansas 66508.

- SECTION 1** gives basic instructions on the use of this manual.
- SECTION 2** gives specifications for the trailer, including measurements and component specifications. A Standard Bolt Torque Table is provided to give guidelines for bolt torques to be used when servicing this product.
- SECTION 3** gives instructions for the proper operation of the equipment.
- SECTION 4** gives general maintenance procedures, a maintenance schedule, and a lubrication schedule. Improper maintenance will void your warranty.

IF YOU HAVE ANY QUESTIONS CONTACT:

LANDOLL COMPANY, LLC.
1900 NORTH STREET
MARYSVILLE, KANSAS 66508
or phone:
(785) 562-5381 or
(800) 428-5655
or FAX:
(785) 562-4893

- SECTION 5** is a troubleshooting guide to aid in diagnosing and solving problems with the trailer.
- PARTS LIST** is a separate manual showing the various assemblies, sub-assemblies, and systems. Refer to that manual when ordering Landoll replacement parts. Order parts from your Landoll dealer.
- WARRANTY** The Warranty Registration form is located with the product documents. Fill it out and mail it within 10 days of purchase. The Warranty is printed inside the front cover.

NOTE: IMPROPER ASSEMBLY, MODIFICATION, OR MAINTENANCE OF YOUR LANDOLL MACHINE CAN VOID YOUR WARRANTY.

- COMMENTS** Address comments or questions regarding this publication to:

LANDOLL COMPANY, LLC.
1900 NORTH STREET
MARYSVILLE, KANSAS 66508
ATTENTION: PUBLICATIONS - DEPT. 55

STANDARD SPECIFICATIONS

CAPACITY*:

TANDEM AXLE: 70,000 LB. DISTRIBUTED
STANDARD FRAME DESIGN (660 MODEL) . . 50,000 LB. CONCENTRATED IN 10'
STANDARD FRAME DESIGN (670 MODEL) . . 40,000 LB. CONCENTRATED IN 10'

TRIPLE AXLE: 100,000 LB. DISTRIBUTED
STANDARD FRAME DESIGN (610 MODEL) . . 70,000 LB. CONCENTRATED IN 16'

SWING OUT OVERWIDTHS AND PULL OUT EXTENSION MAXIMUM CAPACITY IS ONE HALF FRAME CAPACITY LISTED ABOVE.

GOOSENECK: HYDRAULIC TILT

KING PIN SETTING: 21"

UNDERCARRIAGE TRAVEL: 17'-8"

GROUND LOAD ANGLE:

LOW LOAD ANGLE 6.5°
MAXIMUM TILT ANGLE 15°

DOCK LEVELER CAPACITY: 1 PAIR 62,000 LB.

..... 2 PAIR 62,000 LB. (124,000 LB.)

HYDRAULIC HOOKUP:

QUICK COUPLERS FLAT FACE 3/4" BODY SIZE
MAXIMUM OPERATING PRESSURE 2500 PSI
OPERATING FLOW 17 GPM

ELECTRICAL HOOKUP: 7-WAY CONNECTOR

AIR HOOK UP: COLOR CODED GLAD HANDS

SPECIFIC BOLT TORQUES

AIR RIDE SUSPENSION:

EQUALIZER BEAM PIVOT AND ADAPTER BOLTS
DESIGNATED W/ NEWAY ON BOLT HEAD 800 FT.-LBS.
DESIGNATED W/ HOLLAND NEWAY ON BOLT HEAD 550 FT.-LBS.
SHOCK ABSORBER MOUNTING 150 FT.-LBS.
AIR SPRING MOUNTING: 1/2" 35 FT.-LBS.
3/4" 35 FT.-LBS.

WHEEL FASTENERS - ALL MODELS:

OUTER SPINDLE NUTS 250-400 FT.-LBS.
PILOT WHEEL NUTS. 450-500 FT.-LBS.

* CAPACITY RATINGS ARE FRAME CAPACITIES ONLY. ACTUAL LOAD CAPACITIES MAY BE RESTRICTED BY FACTORS SUCH AS GROSS AXLE WEIGHT RATINGS (GAWR) OR STATE AND FEDERAL REGULATIONS.

**LANDOLL COMPANY, LLC.
GENERAL TORQUE SPECIFICATIONS (REV. 4/97)**

THIS CHART PROVIDES TIGHTENING TORQUES FOR GENERAL PURPOSE APPLICATIONS WHEN SPECIAL TORQUES ARE NOT SPECIFIED ON PROCESS OR DRAWING.
 ASSEMBLY TORQUES APPLY TO PLATED NUTS AND CAPSCREWS ASSEMBLED WITHOUT SUPPLEMENTAL LUBRICATION (AS RECEIVED CONDITION). THEY DO NOT APPLY IF SPECIAL GRAPHITE MOLY-DISULFIDE OR OTHER EXTREME PRESSURE LUBRICANTS ARE USED. WHEN FASTENERS ARE DRY (SOLVENT CLEANED), ADD 33% TO AS RECEIVED CONDITION TORQUE.
 BOLT HEAD IDENTIFICATION MARKS INDICATE GRADE AND MAY VARY FROM MANUFACTURER TO MANUFACTURER.
 THICK NUTS MUST BE USED ON GRADE 8 CAPSCREWS.
 USE VALUE IN [] IF USING PREVAILING TORQUE NUTS.
TORQUE IS SPECIFIED IN FOOT POUNDS

UNC Size	SAE Grade 2		SAE Grade 5		SAE Grade 8		UNF Size	SAE Grade 2		SAE Grade 5		SAE Grade 8	
1/4-20	4	[5]	6	[7]	9	[11]	1/4-28	5	[6]	7	[9]	10	[12]
5/16-18	8	[10]	13	[16]	18	[22]	5/16-24	9	[11]	14	[17]	20	[25]
3/8-16	15	[19]	23	[29]	35	[43]	3/8-24	17	[21]	25	[31]	35	[44]
7/16-14	24	[30]	35	[43]	55	[62]	7/16-20	27	[34]	40	[50]	60	[75]
1/2-13	35	[43]	55	[62]	80	[100]	1/2-20	40	[50]	65	[81]	90	[112]
9/16-12	55	[62]	80	[100]	110	[137]	9/16-18	60	[75]	90	[112]	130	[162]
5/8-11	75	[94]	110	[137]	170	[212]	5/8-18	85	[106]	130	[162]	180	[225]
3/4-10	130	[162]	200	[250]	280	[350]	3/4-16	150	[188]	220	[275]	320	[400]
7/8-9	125	[156]	320	[400]	460	[575]	7/8-14	140	[175]	360	[450]	500	[625]
1-8	190	[237]	408	[506]	680	[850]	1-14	210	[263]	540	[675]	760	[950]
1-1/8-7	270	[337]	600	[750]	960	[1200]	1-1/8-12	300	[375]	660	[825]	1080	[1350]
1-1/4-7	380	[475]	840	[1050]	1426	[1782]	1-1/4-12	420	[525]	920	[1150]	1500	[1875]
1-3/8-6	490	[612]	110	[1375]	1780	[2225]	1-3/8-12	560	[700]	1260	[1575]	2010	[2512]
1/1-2-6	650	[812]	1460	[1825]	2360	[2950]	1/1-2-12	730	[912]	1640	[2050]	2660	[3325]

METRIC

COARSE THREAD METRIC CLASS 10.9 FASTENERS AND CLASS 10.0 NUTS AND THROUGH HARDENED FLAT WASHERS, PHOSPHATE COATED, ROCKWELL "C" 38-45.
 USE VALUE IN [] IF USING PREVAILING TORQUE NUTS.

Nominal Thread Diameter mm	Standard Torque		Nominal Thread Diameter mm	Standard Torque	
	Newton-Meters	Foot-Pounds		Newton-Meters	Foot-Pounds
6	10	[14]	7	[10]	
7	16	[22]	12	[16]	
8	23	[32]	17	[24]	
10	46	[60]	34	[47]	
12	80	[101]	60	[75]	
14	125	[155]	90	[115]	
16	200	[240]	150	[180]	
18	275	[330]	205	[245]	
			20	385	[450]
			24	670	[775]
			27	980	[1105]
			30	1330	[1470]
			33	1790	[1950]
			36	2325	[2515]
			39	3010	[3210]
				290	[335]
				500	[625]
				730	[825]
				990	[1090]
				1340	[1450]
				1730	[1870]
				2240	[2380]

Table 2-1 General Torque Specifications

LANDOLL COMPANY, LLC.
HYDRAULIC FITTING TORQUE SPECIFICATIONS
37° JIC, ORS. & ORB (REV. 07/2008)

THIS CHART PROVIDES TIGHTENING TORQUES FOR HYDRAULIC FITTING APPLICATIONS WHEN SPECIAL TORQUES ARE NOT SPECIFIED ON PROCESS OR DRAWING.
 ASSEMBLY TORQUES APPLY TO PLATED CARBON STEEL AND STAINLESS STEEL FITTINGS ASSEMBLED WITHOUT SUPPLEMENTAL LUBRICATION (AS RECEIVED CONDITION). THEY DO NOT APPLY IF SPECIAL GRAPHITE MOLY-DISULFIDE OR OTHER EXTREME PRESSURE LUBRICANTS ARE USED.
 BRASS FITTINGS AND ADAPTERS - 65% OF THE TORQUE VALUE FOR STEEL. STAINLESS STEEL, ALUMINUM AND MONEL - THREADS ARE TO BE LUBRICATED.
TORQUE IS SPECIFIED IN FOOT POUNDS

AEROQUIP BRAND FITTINGS

Dash Size	37 Degree JIC	O-Ring (ORS)	O-Ring Boss (ORB)
-4	11-12	10-12	14-16
-5	15-16	—	18-20
-6	18-20	18-20	24-26
-8	38-42	32-35	50-60
-10	57-62	46-50	72-80
-12	79-87	65-70	125-135
-14	—	—	160-180
-16	108-113	92-100	200-220
-20	127-133	125-140	210-280
-24	158-167	150-165	270-360
-32	245-258	—	—

GATES BRAND FITTINGS

Dash Size	37 Degree JIC	O-Ring (ORS)	O-Ring Boss (ORB)
-4	10-11	10-12	14-16
-5	13-15	—	—
-6	17-19	18-20	24-26
-8	34-38	32-40	37-44
-10	50-56	46-56	50-60
-12	70-78	65-80	75-83
-14	—	65-80	—
-16	94-104	92-105	111-125
-20	124-138	125-140	133-152
-24	156-173	150-180	156-184
-32	219-243	—	—



PARKER BRAND FITTINGS

Dash Size	37 Degree JIC	O-Ring (ORS)	O-Ring Boss (ORB)
-4	11-13	15-17	13-15
-5	14-16	—	21-23
-6	20-22	34-36	25-29
-8	43-47	58-62	40-44
-10	55-65	100-110	57.5-62.5
-12	80-90	134-146	75-85
-16	115-125	202-218	109-121
-20	160-180	248-272	213-237
-24	185-215	303-327	238-262
-32	250-290	—	310-340

Table 2-2 Hydraulic Fitting Torque Specifications

3-1 GENERAL

This section supplies information for operation of the semitrailer. It describes and locates controls and gives general operation procedures. Read all instructions, warnings, cautions, and danger notes before attempting to operate the semitrailer. Operators must have proper training before operating the semitrailer (See Figures 3-1 and 3-2 for location of semitrailer parts).

 WARNING
DO NOT OPERATE THE SEMITRAILER WITH ANY KNOWN FAULT THAT MIGHT ENDANGER THE OCCUPANTS, NEARBY WORKERS, OTHER TRAFFIC, THE LOAD, OR THE EQUIPMENT.
 WARNING
DO NOT OPERATE THE SEMITRAILER UNTIL YOU HAVE READ THE OPERATOR'S MANUAL AND COMPLETELY UNDERSTAND THE PROPER USE AND FUNCTION OF ALL CONTROLS. IMPROPER USE CAN CAUSE PERSONAL INJURY, DAMAGE TO YOUR SEMITRAILER AND CARGO, AND CAUSE TIME-CONSUMING BREAKDOWNS.

3-1.1 Landing Gear

The landing gear consists of two legs with a tube telescoping within another tube. Crank style is standard. Pin drop or hydraulically operated are optional.

3-1.2 Parking Brake



The parking brakes are automatically applied by spring pressure with the air actuators of the braking system when air pressure in the emergency line drops below 50 psi. This may be done within the truck using the trailer parking/emergency valve or by disconnecting the emergency glad-hands.

3-1.3 Air Brake System

The air brake system of the semitrailer is operated from the towing vehicle after coupling. The towing vehicle's air system must be coupled to the semitrailer and charged to 90 psi minimum before the brakes can adequately function.

3-1.4 Anti-Lock Brake System (ABS)

The Anti-Lock Brake System of the semitrailer is constant powered by the auxiliary (blue) circuit of the seven way electrical connector, with backup power from the stop lamp (red) circuit, and ground through the white wire. It is necessary that the blue circuit is hot when the tractor key switch is on. The blue circuit on the trailer may not be used to power any additional auxiliary devices while the semitrailer is moving forward. If a fault exists in the ABS, normal braking will occur, but the wheels may lock. Service the ABS as soon as possible.

 CAUTION
THE AUXILIARY (BLUE) CIRCUIT IS FOR POWERING THE SEMITRAILER ABS. THIS CIRCUIT MUST BE HOT WHEN THE TRACTOR KEY SWITCH IS ON. NO OTHER ELECTRICAL DEVICES MAY BE POWERED BY THIS CIRCUIT WHILE THE SEMITRAILER IS MOVING FORWARD.
 CAUTION
IF A FAULT EXISTS IN THE SEMITRAILER ABS, NORMAL BRAKING WILL OCCUR, BUT WHEELS MAY LOCK AND SERVICE THE ABS AS SOON AS POSSIBLE.

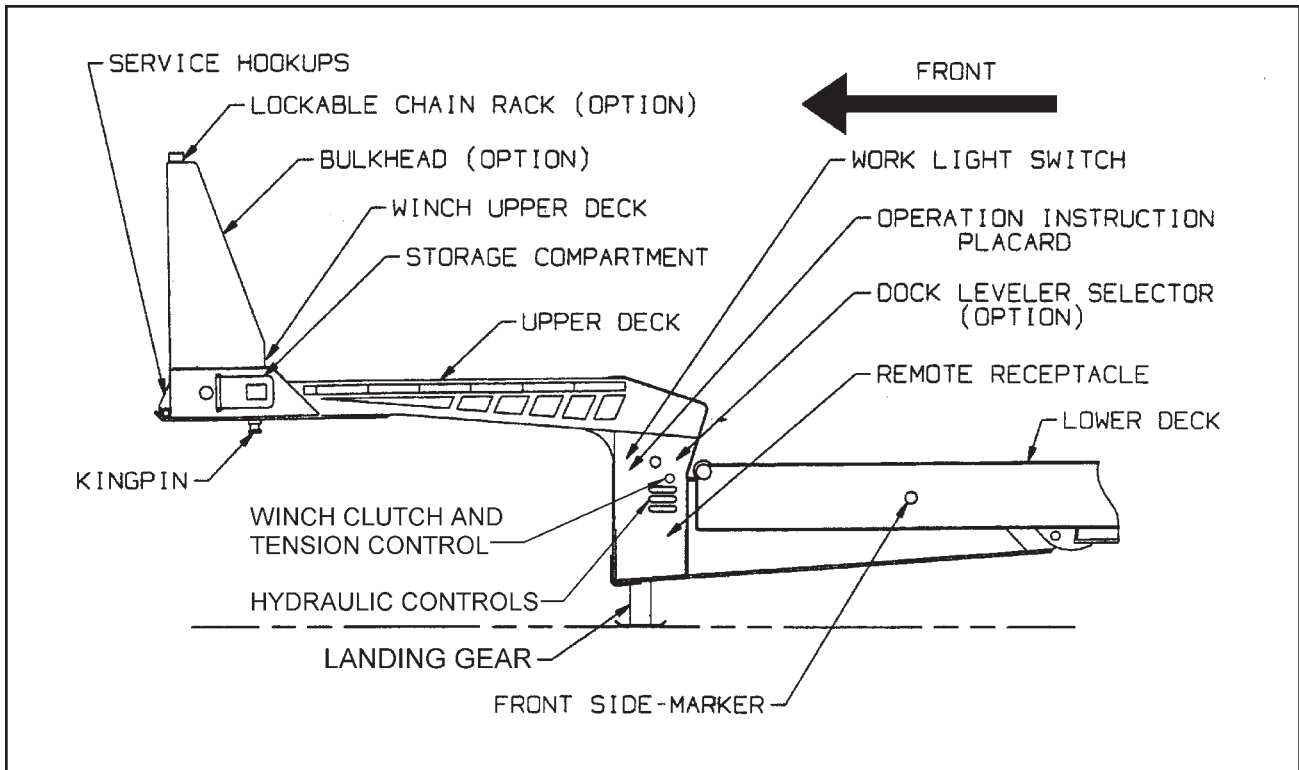


Figure 3-1 Front Trailer Terminology

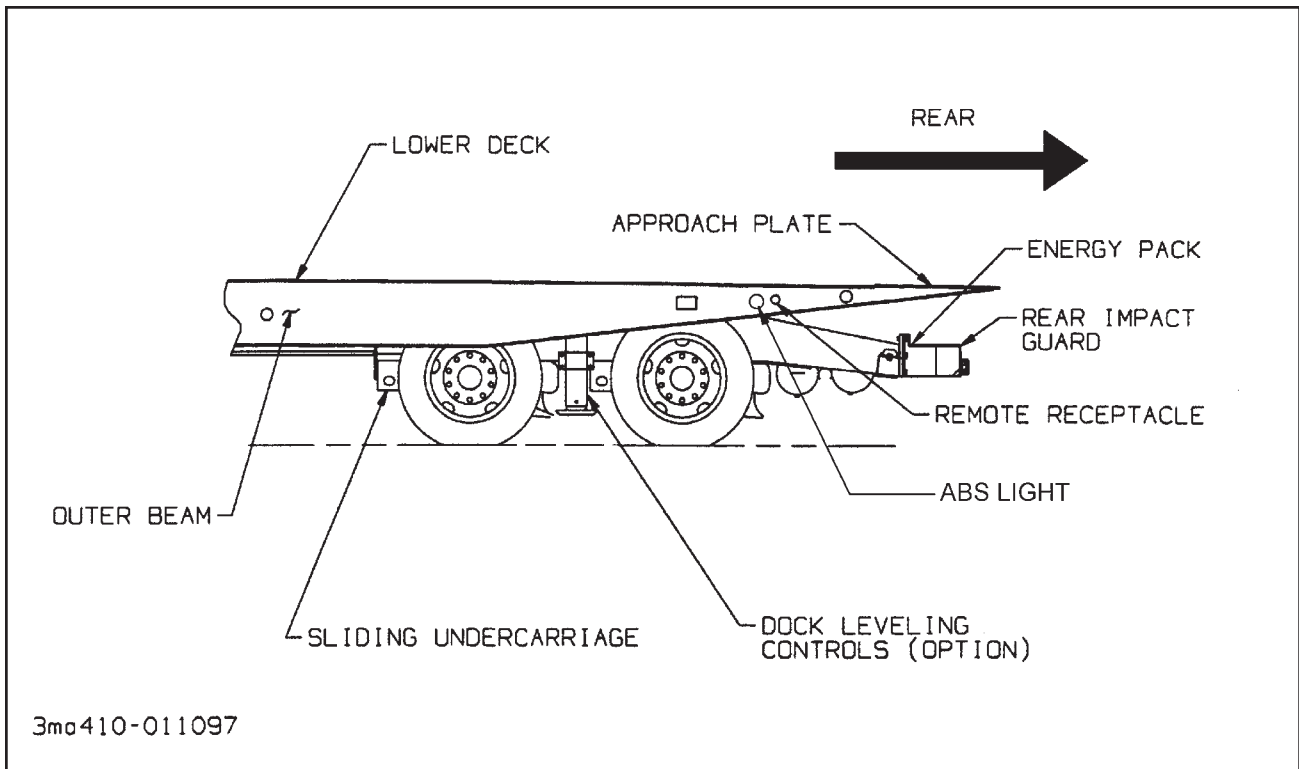


Figure 3-2 Rear Trailer Terminology

3m410-011097

3-1.5 Electrical

The only electrical operation required of the operator is interconnection of the towing vehicle electrical cable plug with the semitrailer electrical receptacle.

It is necessary that the tractor blue wire be connected to the appropriate electrical source on the tractor.

3-1.6 Hydraulic

Most controls are located on the driver's side of the trailer. A hydraulic pump must be coupled to the trailer hydraulic system, or the optional hydraulic engine package started, before any hydraulic controls can function. The hydraulic system is designed to operate at 2500 psi maximum pressure and approximately 17 gpm flow capacity.

3-2 PRE-COUPLING OF SEMITRAILER AND TRACTOR

3-2.1 Slowly back the tractor/truck (towing vehicle) up to the front end of the semitrailer so the kingpin of the semitrailer is centered between the tractor fifth wheel jaws. Stop the towing vehicle just inches ahead of the semitrailer. Set tractor parking brake.

3-2.2 Check the semitrailer king pin plate. It should be in a horizontal position. The king pin plate should be the same height, to slightly lower, than the latch area of the fifth wheel plate of the towing vehicle. If necessary, raise or lower the front of trailer by cranking the two speed landing gear up or down. If you have the optional pin drop landing gear or the hydraulic operated landing gear, then connect the tractor hydraulic lines, or start the semitrailer hydraulic power engine. Use the **TRAILER TILT** lever (See **Section 3-9**) or hydraulic landing gear (See **Section 3-5.1-c.**) to raise or lower the kingpin plate sufficiently to set proper coupling height. Drain all air and moisture from the towing vehicle air brake system following towing vehicle manufacturer's instructions.

3-2.3 Connect the service and emergency air hoses of the towing vehicle to their respective gladhand on the front of the semitrailer; red emergency line to the gladhand with the "**EMERGENCY**" tag, and the blue service line to the gladhand with the "**SERVICE**" tag (See **Figure 3-3**). Chock the semitrailer wheels before activating the semitrailer air supply valve in the towing vehicle. Set the parking brakes.

⚠ WARNING

FAILURE TO CHOCK SEMITRAILER WHEELS COULD ALLOW MOVEMENT OF THE SEMITRAILER RESULTING IN SERIOUS PERSONAL INJURY, DEATH, OR DAMAGE TO PROPERTY IN ITS PATH.

3-2.4 Check the air brake operations of the semitrailer as follows:

- Apply brakes and inspect brake action on all wheels for prompt application.
- Release brakes. All brakes should release immediately. Air pressure should discharge quickly from the relay emergency valve.
- Disconnect the emergency air line from the semitrailer gladhand. Trailer brakes should promptly set.
- Reconnect the emergency air line to the semitrailer and activate the semitrailer air supply valve. The semitrailer brakes should set.

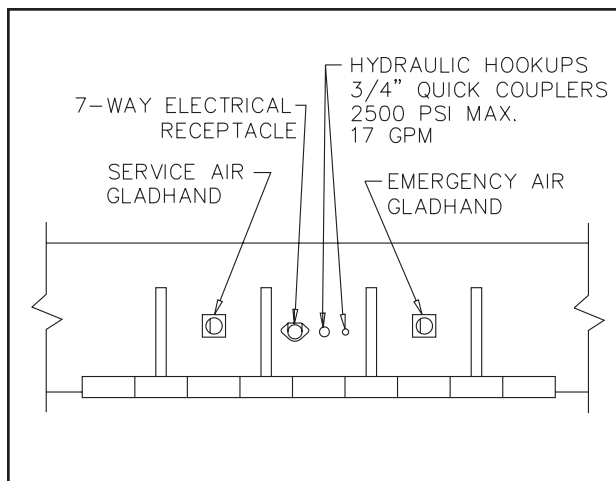


Figure 3-3 Service Hookups

3-3 COUPLING OF THE TRACTOR TO THE SEMITRAILER

DANGER

KEEP ALL PERSONNEL CLEAR OF FRONT, REAR, AND SIDES OF TOWING VEHICLE AND SEMITRAILER DURING COUPLING, COMPONENT OPERATIONS, AND UNCOUPLING. FAILURE TO STAY CLEAR CAN RESULT IN SERIOUS PERSONAL INJURY OR DEATH.

- 3-3.1 Verify the semitrailer wheels are chocked and brakes function properly.
- 3-3.2 Make certain the coupler of the towing vehicle's fifth wheel is open by pulling the latch handle.
- 3-3.3 Slowly back the towing vehicle so its fifth wheel contacts the front of the king pin plate on the semitrailer and slips under it. Continue backing until the fifth wheel coupler locks onto the semitrailer kingpin.

CAUTION

PUSHING THE SEMITRAILER BACKWARDS CAN DAMAGE PARKING STANDS.

- 3-3.4 Verify the vehicle coupling is secure by attempting to pull the tractor forward a few inches. If the tractor disconnects from the semitrailer, locate source of coupling failure; repair before continuing; and repeat **Section 3-3.3 and 3-3.4.**
- 3-3.5 Check that the towing vehicle couples securely to the semitrailer before setting towing vehicle and semitrailer parking brakes.

IMPORTANT

KEEP BRAKES ENGAGED FOR REMAINDER OF HOOKUP, CHECKOUT PROCEDURES AND PARK

3-4 CONNECTING TRACTOR SERVICES TO THE SEMITRAILER

- 3-4.1 Connect the towing vehicle 7-pole electrical plug to the electrical receptacle on the front of the semitrailer (See **Figure 3-3**).

IMPORTANT

THE KEY ON THE PLUG AND THE KEYWAY IN THE SOCKET MUST BE PROPERLY ALIGNED BEFORE INSERTING THE PLUG INTO THE SEMITRAILER SOCKET.

CAUTION

HYDRAULIC OPERATING PRESSURES GREATER THAN 2500 PSI CAN CAUSE DAMAGE TO THE TRAILER.

- 3-4.2 If you have not already done so, connect the tractor hydraulic lines to the semitrailer unless your semitrailer is equipped with the self-contained hydraulic power engine package.

IMPORTANT

SOME OIL MAY NEED TO BE REMOVED FROM THE TRACTOR RESERVOIR TO ALLOW ROOM FOR 12 GALLONS OF ADDITIONAL OIL DISPLACED FROM THE TRAILER HYDRAULIC SYSTEM.

- 3-4.3 Air Lines: See **Section 3-2.**

3-5 TRACTOR AND SEMITRAILER CHECK-OUT

WARNING

FAILURE TO PROPERLY SET AND CHECK PARKING BRAKE, AND CHOCK WHEELS WHEN PARKING AND DURING STORAGE, COULD ALLOW MOVEMENT OF THE TRUCK/SEMITRAILER RIG RESULTING IN SERIOUS PERSONAL INJURY, DEATH, OR DAMAGE TO PROPERTY IN ITS PATH.

3-5.1 With hydraulic power operating, raise landing gear:

- a. For pin drop landing gear, activate the **TRAILER TILT** lever "UP" (See Figure 3-4) until weight is off the landing gear. Raise landing gear. (See Section 3-9 for operation of **TRAILER TILT** lever.) Secure each leg with a park stand retaining pin in the full "up" position before transporting.

CAUTION

ALWAYS GRIP CRANK HANDLE SECURELY WITH BOTH HANDS. NEVER SHIFT LANDING GEAR UNDER LOAD, LEAVE THE GEARS IN NEUTRAL OR LEAVE THE CRANK UNSECURED.

- b. For crank landing gear, retract landing gear by turning hand crank on control panel counterclockwise. Use low gear until the load is off the landing gear. Then shift to high gear and continue cranking until fully retracted. Leave the landing gear in high gear.
- c. For hydraulic landing gear, remove the pin from each landing gear leg. Retract landing gear using lever (See Section 3-5.2) on engine control panel (See Figure 3-11). Secure each leg with a pin in fully retracted position.

3-5.2 The optional **HYDRAULIC LANDING GEAR lever** is located on the left side Engine Control Panel (See Figure 3-11). It has three positions:

- RETRACT** In this position, the landing gear are pulled up off the ground.
- CENTER** This is neutral position.
- EXTEND** In this position, the landing gear are lowered to the ground.

CAUTION

1. LANDING GEAR LEGS MUST BE FULLY RETRACTED AND IF YOU HAVE THE OPTIONAL PIN DROP LANDING GEAR OR THE HYDRAULIC LANDING GEAR, SECURED WITH PINS BEFORE OPERATING OR MOVING SEMITRAILER.

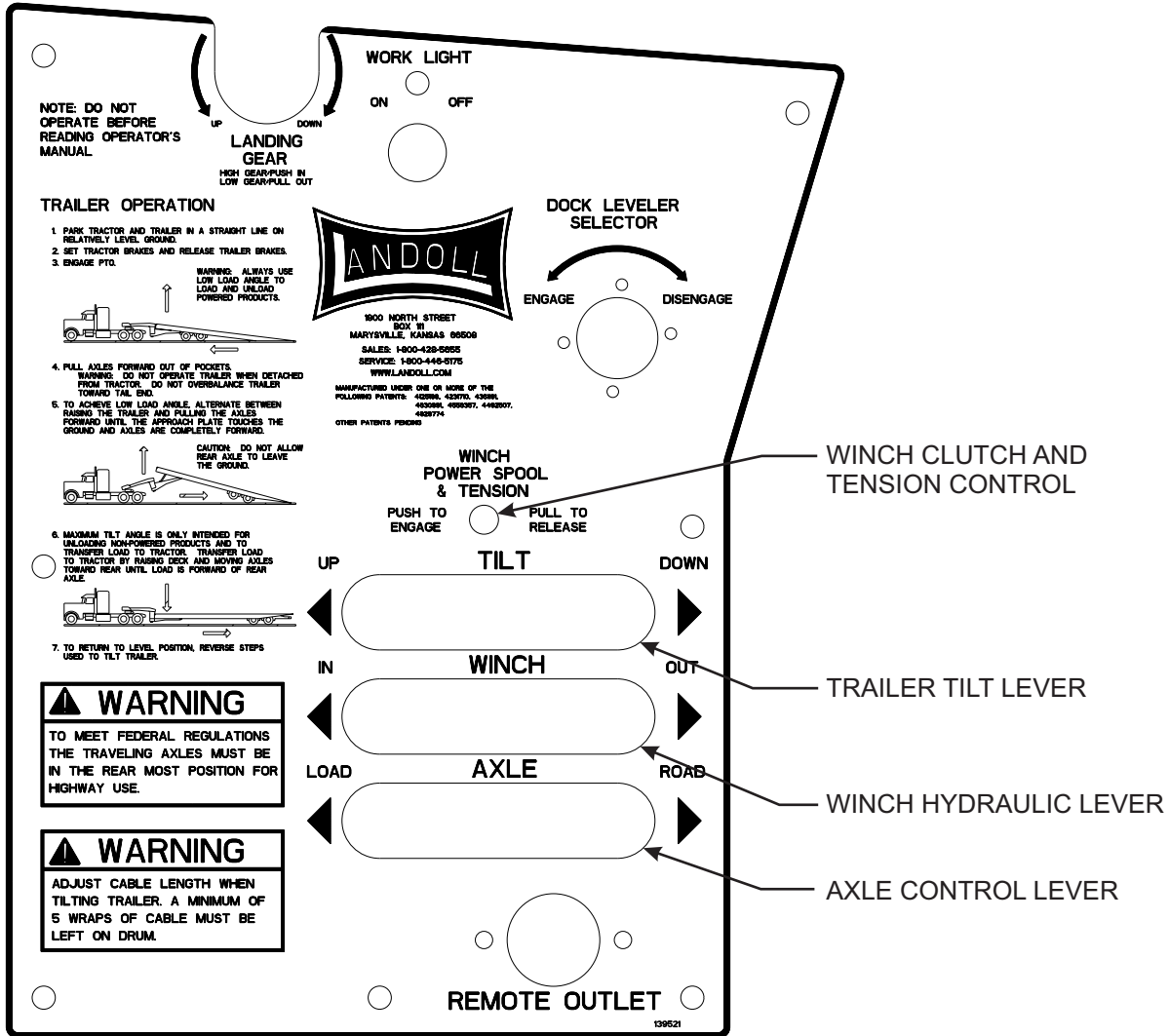
2. IF SEMITRAILER IS LOADED WHEN OPERATING LANDING GEAR, LOAD MUST BE CENTERED ON THE TRAILER.

3. DO NOT TILT SEMITRAILER DOWN WITH LANDING GEAR ON GROUND.

3-5.3 Activate the **TRAILER TILT lever** (See Section 3-9) "DOWN" until the semitrailer is fully lowered. Hold semitrailer tilt lever in the down position until hydraulic system works against the bottomed out Hydraulic Tilt Cylinders.

3-5.4 Determine that the traveling undercarriage is completely slid back to transport position. Hold **AXLE CONTROL lever** (See Section 3-10) in the transport position until hydraulic system works against the fully extended hydraulic telescopic axle cylinder. Shut off hydraulic power.

3-5.5 Check the operation of all lights and signals on the semitrailer for proper response to switch positions (stop, right turn, left turn, and clearance). Check operation of remote function if present.



m139521 op

Figure 3-4 Hydraulic Controls

- 3-5.6** Check tire inflation, adjust as needed to the pressure listed on the semitrailer VIN plate, located on the front of the semitrailer.
- 3-5.7** Check tractor/semitrailer rig for air leaks. If air leakage is found, repair the defect before transporting.
- 3-5.8** Check the oil in each hub for proper level and freedom from contamination. If hubs are contaminated with water, dirt or some other foreign material, clean before transporting.

- 3-5.9** Check tractor air pressure. Pressure must not fall below 90 psi, even after activating brakes a couple of times. Set parking brake and carefully remove all wheel chocks. Set emergency brake and try pulling forward. The semitrailer wheels must not rotate. If semitrailer brakes do not apply, **DO NOT** transport until defect, or defects, are repaired.

3-6 TOWING THE SEMITRAILER

CAUTION

WHEN OPERATING SEMITRAILER, DO NOT BACK OVER CURB. THIS WILL CAUSE SEVERE DAMAGE TO UNDERCARRIAGE AND UNDERCARRIAGE CYLINDER.

Driving the towing vehicle with the semitrailer coupled behind requires constant attention to the overall length of the combination. The “hinged-in-the-middle” configuration of the tractor and semitrailer, load, and weight effect performance. Turning, passing, acceleration, braking, stopping, and backup require special considerations. When executing steep grades or turning tight curves, the semitrailer must not be allowed to push the towing vehicle, or jack knifing the semitrailer with the towing vehicle may result. Application of the semitrailer brakes to keep the semitrailer in tow will help prevent this pushing. Braking should begin before descending a hill or attempting a curve, to assure control.

- 3-6.1** Make a moving test of the semitrailer brakes at low, and medium speeds before traveling at highway speed.
- The Anti-Lock Brake System (ABS) warning lamp mounted at left rear side of the semitrailer should come on when power is supplied to the ABS by turning the tractor keyswitch on. The warning lamp should go off once the semitrailer exceeds 4 mph. If the warning lamp does not go off, a fault exists in the semitrailer ABS. Once the vehicle speed exceeds 4 mph, the light should remain off unless a fault occurs or the keyswitch is turned off, then on again.

CAUTION

IF A FAULT EXISTS IN THE SEMITRAILER ABS, NORMAL BRAKING WILL OCCUR, BUT WHEELS MAY LOCK. SERVICE THE ABS AS SOON AS POSSIBLE.

- 3-6.2** Monitor the air pressure gauge on the dash of the towing vehicle. Pressure should not fall below 90 psi at any time.
- 3-6.3** The semitrailer wheels track to the inside of the towing vehicle during turns. Thus, turning corners requires a wide swing to prevent “curb hopping”, and to allow the semitrailer wheels to clear any obstacle on the inside of the corner.
- 3-6.4** To stop, use a gradual and smooth application of brakes. If grabbing occurs, apply less pressure - grabbing brakes are not efficient.

 **WARNING**

ALWAYS CHECK BEHIND AND UNDER THE TRUCK AND SEMITRAILER FOR PERSONS OR OBJECTS BEFORE MOVING. FAILURE TO CHECK CAN LEAD TO SERIOUS PERSONAL INJURY OR DEATH TO OTHERS, OR DAMAGE TO PROPERTY.

- 3-6.5** Backing should be done with care. Tail overhang, semitrailer length, and allowable space must be taken into consideration when backing the semitrailer.

3-7 PARKING THE TRAILER

- 3-7.1** Position truck/semitrailer rig on a level, solid surface.
- 3-7.2** Set the **PARKING BRAKE**, not the **semitrailer hand brake**, and check for proper brake holding.
- 3-7.3** Chock wheels of semitrailer.
- 3-7.4** Check for any air leaks in lines, relay valve, brake pods, or any other air system component.

 **WARNING**

WHEN LEAVING THE SEMITRAILER UNATTENDED, POSITION ALL HYDRAULIC CONTROLS TO THE NEUTRAL OR “OFF” POSITION AND SHUT OFF THE HYDRAULIC ENGINE POWER SUPPLY, OR DISCONNECT THE TRACTOR HYDRAULIC HOOK-UP.

3-8 UNCOUPLING TOWING VEHICLE FROM SEMITRAILER

3-8.1 Park the semitrailer according to instructions in **Section 3-7**.

3-8.2 Lower the landing gear:

WARNING

WITH PIN DROP OR HYDRAULIC LANDING GEAR BE SURE TO SECURE EACH LEG WITH PIN BEFORE LEAVING SEMITRAILER UNATTENDED.

- a. Lower the pin drop landing gear to the ground. Hydraulically raise front end of semitrailer until next hole in landing gear is available. Pin through both inner and outer legs of landing gear. Hydraulically lower semitrailer onto legs.

CAUTION

ALWAYS GRIP CRANK HANDLE SECURELY WITH BOTH HANDS. NEVER SHIFT LANDING GEAR UNDER LOAD. NEVER LEAVE THE GEARS IN NEUTRAL OR THE CRANK UNSECURED.

- b. For optional crank landing gear, turn crank handle clockwise to extend. Using high gear, lower the landing gear until the pads make contact with the ground. To reduce the load on the fifth wheel, shift to low gear and crank an additional four to eight turns. Leave the landing gear engaged in low gear.

- c. For hydraulic landing gear, remove pin, extend landing gear with lever on Engine Control Panel until some weight of the trailer is on the landing gear. Then extend legs until the hole in inner leg lines up with the hole in the outer leg. Secure each leg by inserting a pin.

3-8.3 Disconnect the emergency and service air lines and attach them to the tractor glad-hand holders. If present, install dummy glad-hands on trailer couplings.

3-8.4 Disconnect the 7-pole cable and hydraulic lines from the semitrailer and store with the tractor.

3-8.5 Pull the tractor fifth wheel plate latch release lever.

3-8.6 Attempt to pull the tractor forward. If the tractor uncouples, verify all service lines are disconnected and semitrailer wheels are chocked. If tractor does not disconnect, repeat **Section 3-8.5 and 3-8.6**.

3-8.7 Pull the tractor away from the semitrailer.

DANGER

ALWAYS CHECK BEHIND AND UNDER THE TRUCK AND SEMITRAILER FOR PERSONS OR OBJECTS BEFORE MOVING. FAILURE TO CHECK CAN LEAD TO SERIOUS PERSONAL INJURY OR DEATH TO OTHERS, OR DAMAGE TO PROPERTY.

3-9 TRAILER TILT LEVER

The **TRAILER TILT** lever is located on the driver's side of the upper deck. (**See Figures 3-1 and 3-4**) It is the top lever and has three positions:

UP In this position, the front end of the semitrailer rises to the load position.

CENTER This is the neutral position. The semitrailer stays in its current position.

DOWN In this position, the front end of the semitrailer lowers to the transport position.

3-10 AXLE CONTROL LEVER

The **AXLE CONTROL** lever (See **Figure 3-4**) is located on the control panel. It is the bottom lever with three positions:

- LOAD** In this position, the undercarriage slides forward for loading.
- CENTER** This is the neutral position.
- TRANSPORT** In this position, the undercarriage slides to the rear. The undercarriage must be in the rear-most position for transport.

3-11 SWINGOUT OUTRIGGER PLATFORM EXTENSION SET-UP (OPTION)(See **Figure 3-5**)

- 3-11.1** Unlatch and fold out swing-out outriggers.
- 3-11.2** Unlatch pull-out extension by pulling spring loaded latch pin. Slide extension out until it latches again.
- 3-11.3** Place planks on outriggers and assemble end to end using braces, 3/8"-16 x 2-1/4" bolts, washers, and nuts.
- 3-11.4** Plank joints must be centered on outriggers.
- 3-11.5** To remove pull-out extension, reverse **steps 3-11.1 through 3-11.3b**.
- 3-11.6** Remove only two bolts for each joint as shown in **Figure 3-5**. Leave braces attached to boards for storage.

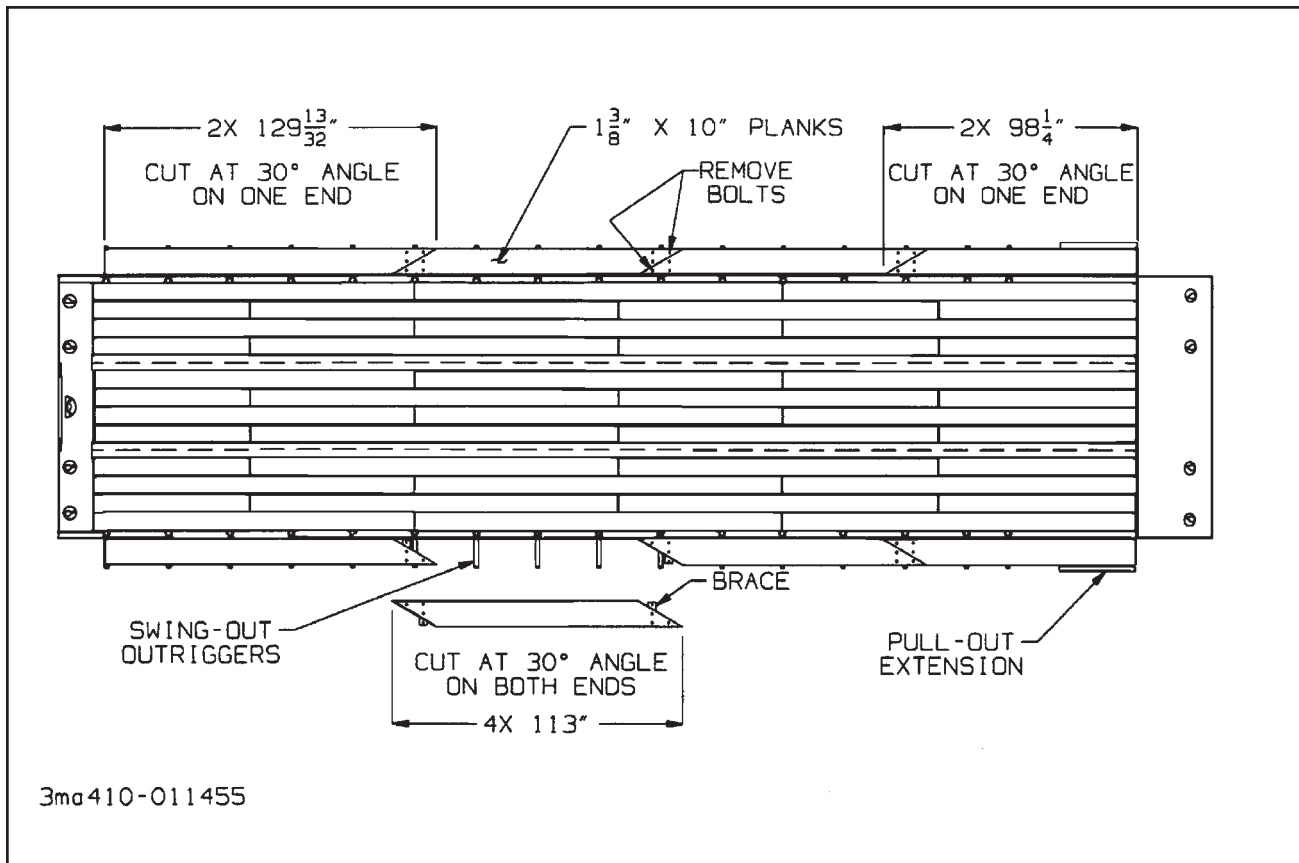


Figure 3-5 Outrigger Platform Extension

3-12 PULL OUT EXTENSIONS

⚠ DANGER

1. DO NOT OPERATE IF ANY EXTENSION IS NOT LOCKED IN PLACE BY SPRING LOADED LOCKING PIN. INSPECT ALL EXTENSIONS TO INSURE EACH IS LOCKED SECURELY IN POSITION BY THE SPRING LOADED LOCKING PIN.

2. REMOVE AND SECURELY STORE ALL WHEEL COVER EXTENSIONS WHICH ARE NOT HELD DOWN SECURELY BY THE LOAD WHEN TRANSPORTING TRAILER.

⚠ CAUTION

DO NOT PULL EXTENSIONS OUT OF TRAILER FRAME WITHOUT ADEQUATE SUPPORT. FAILURE TO DO SO MAY CAUSE INJURY.

3-12.1 Pull out extensions are adjustable in six inch increments. Extension lock pin can be held in released position when pulled back and rotated one quarter turn into catch (See Figure 3-6).

3-12.2 Adjust pullout to desired extended position and trip lock pin to secure.

⚠ WARNING

1. DO NOT OVERLOAD EXTENSIONS. OVERWIDTH RATINGS ARE GIVEN IN STANDARD SPECIFICATIONS.

2. DO NOT SECURE LOAD TO OVERWIDTHS OR UNDERCARRIAGE. SECURE LOAD FRAME TO MOUNTED D-RINGS OR GOTCHAS LOCATED IN THE APPROACH PLATE AND FRAME BEAM FLANGES. FAILURE TO DO SO MAY CAUSE SERIOUS INJURY OR DEATH.

3-12.3 Additional blocking or planking may be needed to support load wheels/tracks between the rearmost overwidth and the ground.

3-12.4 Install the flag holders in the second hole of the front, center, and rear overwidth tubes and secure with lock washer and wing nut so the flag mounting tube is pointing upward. Secure approved flags in the mounting tube. Reference FMCSR Part 393.87 and applicable state and local regulations concerning flags on projecting loads.

3-12.5 If required, display oversize load signs.

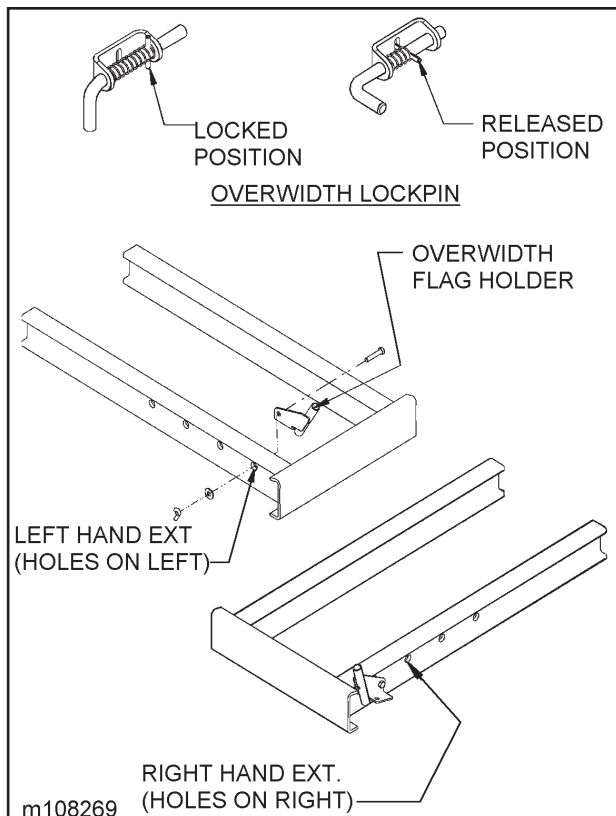


Figure 3-6 Pull Out Extensions

3-13 LOADING PROCEDURE

DANGER

1. DO NOT GO NEAR UNDERCARRIAGE WHEN CAM ROLLERS ARE PARTIALLY OUT OF POCKETS. CHECK THAT CAM ROLLERS ARE COMPLETELY IN, OR COMPLETELY OUT OF POCKETS. IF A HYDRAULIC HOSE IS DISCONNECTED FROM THE SYSTEM, THE UNDERCARRIAGE COULD SLIDE ABRUPTLY INTO THE POCKETS.

2. THE CENTER OF GRAVITY OF THE LOAD MUST BE IN FRONT OF THE CENTER OF THE UNDERCARRIAGE WHENEVER THE APPROACH PLATE IS NOT SUPPORTED BY THE GROUND. FAILURE TO DO THIS CAN CAUSE THE SEMITRAILER TO TILT BACK AND CAN RESULT IN INJURY OR DEATH.

3. KEEP ALL PERSONS CLEAR WHILE TILTING TRAILER TO AVOID SERIOUS INJURY OR DEATH BY BEING PINCHED IN TRAILER BED.

CAUTION

DO NOT ALLOW THE BACK TRAILER AXLE TO LEAVE THE GROUND. THIS CAN RESULT IN DAMAGE TO SEMITRAILER.

CAUTION

TILTING THE SEMITRAILER DECK WILL INCREASE TENSION ON THE WINCH CABLE, WHICH CAN CAUSE THE LOAD TO BE PULLED FORWARD. DO NOT HOOK THE CABLE TO THE LOWER DECK WHEN TILTING.

3-13.1 Practice all standard industrial safety standards. Do not load any payload that will overload any component of the trailer or cause an unsafe condition.

3-13.2 Park the tractor/semitrailer in a straight line on level even surface. Set the tractor brakes and release the semitrailer brakes (See Figure 3-7).

3-13.3 Start operation of hydraulic power system. If the hydraulic engine package is installed, start and warm up engine following engine operating instructions in **Section 3-18. (Read engine operator's manual.)**

3-13.4 Move undercarriage forward (out of pockets) five to eight feet using the **AXLE CONTROL** lever (See Section 3-10). To insure that the trailer does not rock back, keep undercarriage behind the trailer center of gravity.

3-13.5 If winch cable is connected to lower bed, disconnect cable from lower bed or reel out cable as needed to keep it from becoming too tight when tilting bed (See Section 3-16). Using the **TRAILER TILT** lever (See Section 3-9) tilt the front of the bed up until approach plate touches the ground or is to full tilt position.

3-13.6 If the approach plate has not touched the ground, move undercarriage forward until approach plate just touches the ground.

3-13.7 Alternate between lowering bed tilt angle and moving undercarriage fully forward so weight of the trailer bed rests partly on approach plate and partly on undercarriage as undercarriage is moved forward. Reel winch in or out as needed to keep some tension on cable. The object is to have the approach plate resting on the ground whenever the center of gravity of the trailer and load is behind the center of the undercarriage. In loading or unloading position, the approach plate should be resting on the ground and the undercarriage fully forward.

CAUTION

IN LOADING OR UNLOADING POSITION, THE APPROACH PLATE SHOULD BE RESTING ON THE GROUND AND THE UNDERCARRIAGE FULLY FORWARD.

WARNING

ALWAYS USE LOW LOAD ANGLE TO LOAD AND UNLOAD POWERED PRODUCTS.

IMPORTANT

MAXIMUM ANGLE IS ONLY INTENDED IF REQUIRED FOR UNLOADING NON-POWERED PRODUCTS AND TO TRANSFER LOAD TO TRACTOR. TRANSFER LOAD TO TRACTOR BY RAISING DECK AND MOVING AXLES REARWARD UNTIL LOAD IS FORWARD OF REAR AXLE, THUS APPLYING LOAD TO TRACTOR.

3-13.8 Winch or drive the load onto the semitrailer. Insure that the load is steering straight up onto the semitrailer and does not maneuver off the side of the semitrailer. Continue until load center of gravity is just ahead of the axles, if possible. The load should never place more weight on the kingpin than on the rear axles during loading and unloading.

CAUTION

STANDARD TANDEM AXLE SEMITRAILER MAXIMUM CONCENTRATED LOAD IN A 10FT. AREA IS 50,000 LBS. AND 40,000 LBS. FOR A TANDEM SPREAD AXLE SEMITRAILER. TRIPLE AXLE SEMITRAILER MAXIMUM CONCENTRATED LOAD IN A 16FT. AREA IS 70,000 LBS.

CAUTION

1. THE SEMITRAILER MUST BE COUPLED TO A TRACTOR AND THE LANDING GEAR RAISED OFF THE GROUND BEFORE OPERATING.

2. DO NOT EXCEED THE GROSS AXLE WEIGHT RATINGS FOR ANY AXLE ON YOUR VEHICLE. THE COMBINED WEIGHT OF THE SEMITRAILER AND CARGO MUST NOT EXCEED THE GROSS VEHICLE WEIGHT RATING (GVWR) OF THE TRAILER.

3-13.9 Securely tie down the load and attach the winch cable to the front of the load, if it is not already attached. Reel in winch cable until it becomes tight. (Winch cable serves as a safety tiedown in case load tiedown fails but is not to replace tie downs.)

3-13.10 To adjust trailer to a transport position, alternate between tilting the front of the bed up toward full tilt position and moving the undercarriage rearward, until the center of gravity of the trailer load is ahead of the center of the undercarriage. Keep part of the load on the wheels and part on the approach plate. Reel winch out as needed to keep slight tension on the cable. Never move the undercarriage so far to the rear that the approach plate is lifted off the ground.

3-13.11 When the center of gravity of the trailer and load is in front of the undercarriage or when the trailer is in full tilt and the undercarriage as far back as possible without lifting the approach plate off the ground, fully lower the tilt angle. Reel in the winch cable as needed to keep slight tension on the cable.

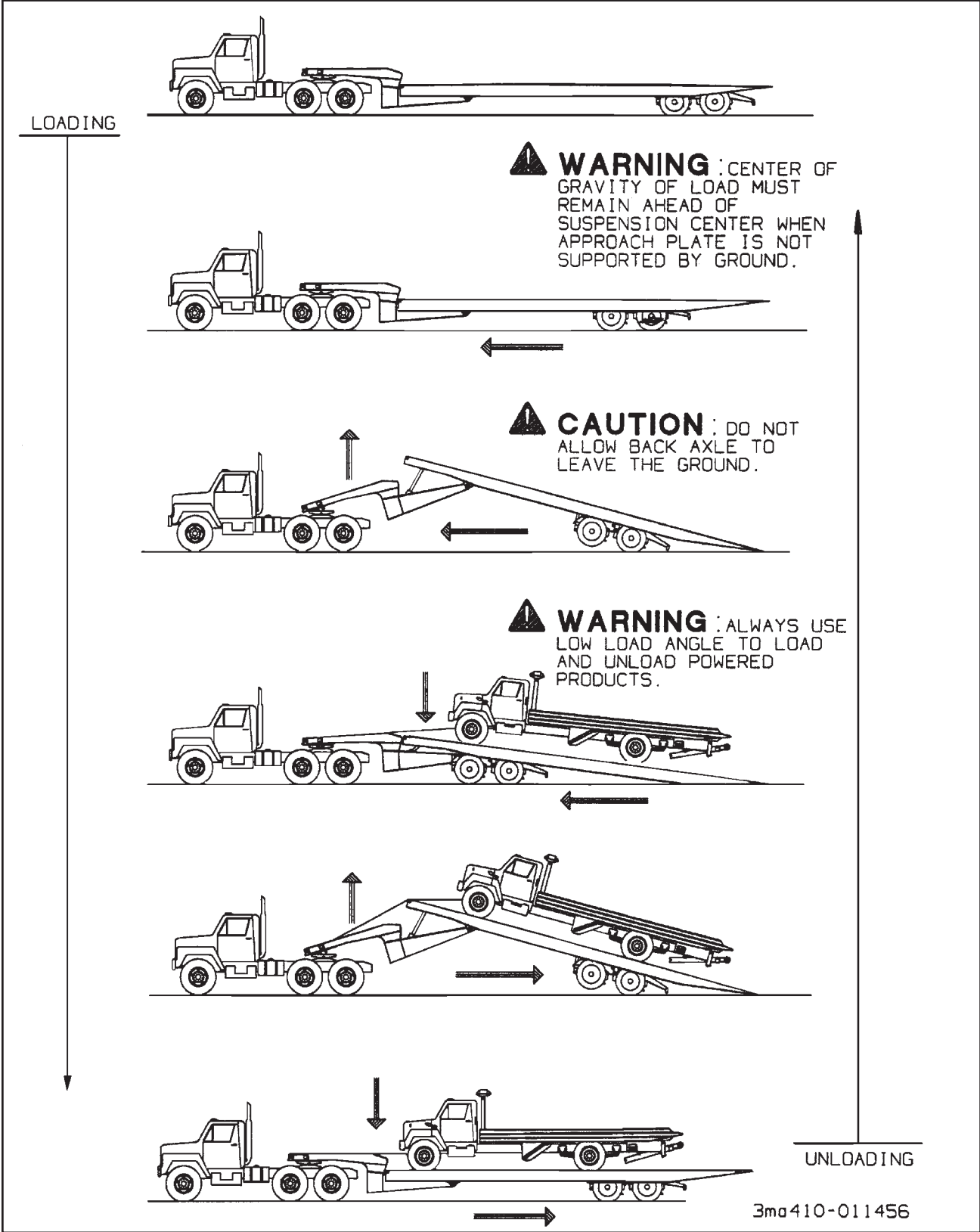


Figure 3-7 Steps for Loading and Unloading

3-13.12 After bed tilt angle is fully lowered, move the undercarriage to the rear until it is in transport position. The trailer deck will lower as the undercarriage rollers go into pockets. Hold **TRAILER TILT** lever in the down position until hydraulic system works against the bottomed out Hydraulic Tilt Cylinders (Approximately 2-5 seconds). Hold **AXLE CONTROL** lever in the transport position until hydraulic system works against the fully extended Hydraulic Axle Cylinder (Approximately 2-5 seconds).

3-13.13 Recheck that load is properly secured. If necessary, unsecure the load, move load slightly forward or rearward on the load bed to get correct weight distribution on kingpin and the trailer axles, and resecure the load with the tiedowns and winch cable.

3-13.14 Shut down hydraulic power system. If hydraulic engine package is installed, shut down the auxiliary hydraulic power engine following operating instructions in **Section 3-18**. Assure maintenance schedule is up-to-date and semitrailer is ready to be pulled.

3-14 UNLOADING PROCEDURE

3-14.1 Practice all standard industrial safety standards.

3-14.2 Park the tractor/semitrailer in a straight line on a level even surface (**See Figure 3-7**). Set the tractor brakes and release the semitrailer brakes.

3-14.3 Start operation of hydraulic power system. If the hydraulic engine package is installed, start and warm up the auxiliary hydraulic power engine following engine operating instructions in **Section 3-18**.

3-14.4 Make sure load is still at correct position to get correct weight distribution on kingpin and the trailer axles secured with appropriate load tiedowns.

3-14.5 Using the **AXLE CONTROL** lever (**See Section 3-10**), move undercarriage forward (out of pockets) five to eight feet, or just behind the center of gravity of the loaded semitrailer. This is to insure that the trailer does not rock back. Actual center of gravity will relocate to the rear as the trailer is tilted up.

3-14.6 Using the **TRAILER TILT** lever (**See Section 3-9**), raise the front of bed up to full tilt position reeling out winch cable as needed to keep slight tension on the cable.

3-14.7 If the approach plate has not touched the ground, move the undercarriage forward until the approach plate touches the ground and starts supporting the trailer. Then alternate between moving the undercarriage forward while lowering the tilt angle and reeling in the winch cable. The object is to keep a part of the weight on the approach plate, and part of the weight on the wheels while lowering the tilt angle and keeping slight tension on the winch cable. Always use low load angle to unload powered products. To achieve low load angle, the undercarriage has to be all the way forward. The maximum load angle is only intended, if required, for unloading non-powered products and to transfer load to tractor. Transfer load to tractor by raising deck and moving axles toward rear until load is forward of rear axle, thus transferring load to tractor.

CAUTION

DO NOT ALLOW THE BACK SEMITRAILER AXLE TO LEAVE THE GROUND. THIS CAN RESULT IN DAMAGE TO THE SEMITRAILER.

WARNING

ALWAYS USE LOW LOAD ANGLE TO LOAD AND UNLOAD POWERED PRODUCTS.

IMPORTANT

MAXIMUM ANGLE IS ONLY INTENDED IF REQUIRED FOR UNLOADING NON-POWERED PRODUCTS AND TO TRANSFER LOAD TO TRACTOR. TRANSFER LOAD TO TRACTOR BY RAISING DECK AND MOVING AXLES REARWARD UNTIL LOAD IS FORWARD OF REAR AXLE, THUS APPLYING LOAD TO TRACTOR.

3-14.8 If load is non-powered, insure that the winch cable is firmly attached to the load and tension is on the cable. Tilt trailer according to **Sections 3-14.5 through 3-14.7**, adjusting tension on winch cable as required. With winch cable firmly attached to load and sufficient tension on the cable so load securing devices can be safely removed, remove other load securing devices. Use the winch to assist the load down to end of approach plate. With end of load resting on ground, block load from rolling or sliding, if necessary. Disconnect the winch and move the trailer from under the load, allowing the load to move off trailer to the ground.

3-14.9 If powered load is secured to lower deck only, tilt semitrailer according to **Section 3-14.7**. Make sure the trailer is tilted to the low load angle. Check that powered equipment parking brakes are set and winch cable hooked to powered equipment with sufficient tension so load securing devices can be removed. Remove safety secure devices. Take tension off winch cable and remove winch cable. Power load off the trailer.

WARNING

WHEN REMOVING LOAD, INSURE THAT THE LOAD IS STEERING STRAIGHT SO IT DOES NOT MANEUVER OFF THE SIDE OF THE SEMITRAILER. FAILURE TO DO SO COULD RESULT IN DAMAGE TO EQUIPMENT, INJURY, OR DEATH.

3-14.10 If powered load is secured to both upper and lower deck, attention is required before tilting the trailer. Adjust load securing devices to allow semitrailer to tilt and sufficiently secure load from movement while semitrailer is tilted to low load angle before tilting the semitrailer.

3-14.11 Before returning the semitrailer to transport position insure that there is sufficient distance between the load and the rear of the semitrailer so that the semitrailer does not hit the load when being folded back to transport position.

CAUTION

BEFORE RETURNING THE SEMITRAILER TO TRANSPORT POSITION, INSURE THAT THERE IS SUFFICIENT DISTANCE BETWEEN THE LOAD AND THE REAR OF THE SEMITRAILER. FAILURE TO DO SO MAY RESULT IN DAMAGE TO THE SEMITRAILER AND/OR LOAD.

3-14.12 Using the **TRAILER TILT** lever (**See Section 3-9**) and **AXLE CONTROL** lever (**See Section 3-10**), alternate between tilting the front of the bed up to full tilt position and moving undercarriage to the rear as trailer wheels become unloaded. Keep part of the load on the wheels and part on the approach plate. Never move undercarriage so far to the rear that the approach plate is lifted off the ground when center of gravity of semitrailer and load is behind center of undercarriage. Never allow wheels to leave the ground while the trailer is tilted.

3-14.13 After the trailer is fully tilted and the undercarriage is as far back as possible without lifting the approach plate off the ground, fully lower bed tilt angle.

3-14.14 With bed tilt angle fully lowered, move undercarriage rearward to transport position. Hold **TRAILER TILT** lever in the down position until hydraulic system works against the bottomed out Hydraulic Tilt Cylinders (Approximately 2-5 seconds). Hold **AXLE CONTROL** lever in the transport position until hydraulic system works against the fully extended Hydraulic Axle Cylinder (Approximately 2-5 seconds).

3-14.15 Reel in winch cable and secure hook on upper deck.

3-14.16 Shut down hydraulic power system. If hydraulic engine package is installed, shut down the auxiliary hydraulic power engine following operating instructions in **Section 3-18**.

3-15 WORK LIGHT (OPTION)

The **WORK LIGHT SWITCH** is on the hydraulic control panel (See **Figure 3-4**). It illuminates the hydraulic control panel and controls the optional work lights mounted on the bulkhead. The work lights illuminate the upper deck.

3-16 WINCH CONTROLS

DANGER

1. THE WINCH IS NOT DESIGNED OR INTENDED TO BE USED FOR LIFTING OR MOVING PEOPLE. USING IT THIS WAY CAN CAUSE SERIOUS INJURY OR DEATH.

2. MAKE CERTAIN THE WINCH CABLE SPOOL CLUTCH IS SET TO ENGAGE AND CLUTCH IS FULLY ENGAGED BEFORE LOAD TENSION IS APPLIED TO WINCH CABLE. NEVER ATTEMPT TO DISENGAGE THE WINCH CABLE SPOOL WHEN THE CABLE IS UNDER TENSION. LOSS OF LOAD CONTROL, PROPERTY DAMAGE, INJURY OR DEATH CAN RESULT.

3. FAILURE TO LEAVE AT LEAST FIVE WINCH CABLE WRAPS ON THE WINCH CABLE SPOOL COULD ALLOW THE CABLE TO COME OFF THE SPOOL, RESULTING IN SERIOUS PERSONAL INJURY OR DEATH.

WARNING

DO NOT HANDLE THE WINCH CABLE WHEN THE WINCH IS IN THE ENGAGE POSITION. HANDS OR CLOTHING COULD GET CAUGHT IN THE CABLE AND BE PULLED INTO THE SPOOL CAUSING SERIOUS PERSONAL INJURY.

3-16.1 The **WINCH HYDRAULIC** lever (See **Figures 3-1 and 3-4**) is the middle lever located on the control panel. It is a three position control:

- IN** This position will cause the winch to reel cable onto the winch spool when the winch clutch handle is engaged.
- CENTER** This is the neutral position. This position will not operate the winch.
- OUT** This position will cause the winch to reel cable off of the winch spool when the winch is engaged.

3-16.2 The **WINCH CLUTCH HANDLE** (See **Figure 3-8 and 3-9**) is located on the right or curb-side end of the winch assembly. The function of the **WINCH CLUTCH HANDLE** is to engage or disengage the winch, allowing it to respond to the **WINCH HYDRAULIC LEVER**. For trailers equipped with optional **PNEUMATIC WINCH CONTROL** (20,000 lb. and 30,000 lb. winches only), the control is a switch on the control panel (See **Figure 3-4**). If the semitrailer also has the optional winch air tensioner, it also is controlled by the same switch on the control panel. For the 20,000 lb. and 30,000 lb. winch, this switch controls both the clutch and the winch air tensioner simultaneously. For the 12,000 lb. winch, this switch controls only the air tensioner.

CAUTION

A MINIMUM OF 5 WRAPS OF CABLE MUST BE LEFT ON THE WINCH DRUM.

a. The **12,000 lb. WINCH CLUTCH HANDLE** has two positions: (See **Figure 3-8**)

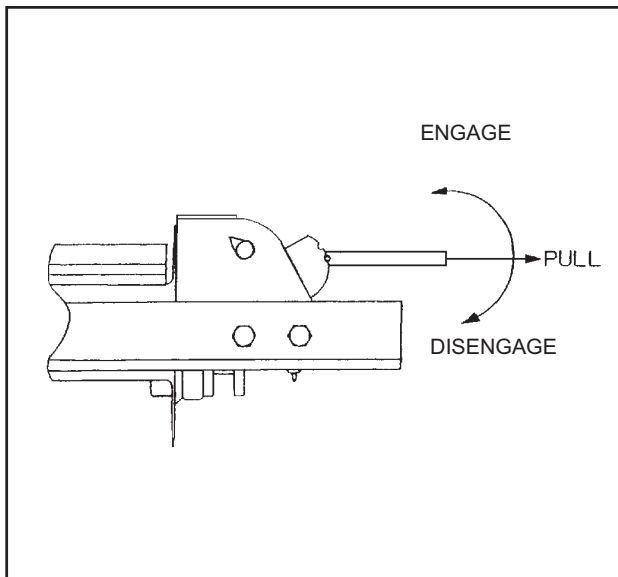


Figure 3-8 12,000# Winch Clutch

DISENGAGE When the handle is placed in this position, the winch is disengaged. This allows the spool to “free-wheel” and the winch is not affected by use of the Winch Hydraulic lever.

ENGAGE When the handle is placed in this position, the winch is engaged and cable may be spooled on or off the winch spool. The winch can now be controlled through the use of the Winch Hydraulic lever.

b. The **20,000 lb WINCH CLUTCH HANDLE** has two positions. (See **Figure 3-9**).

DISENGAGE When the handle is placed in this position, the winch is disengaged. This allows the spool to “free-wheel” and the winch is not affected by use of the Winch In/Out lever.

ENGAGE When the handle is placed in this position, the winch is engaged and cable may be spooled on or off the winch spool. The winch can now be controlled through the use of the Winch In/Out lever.

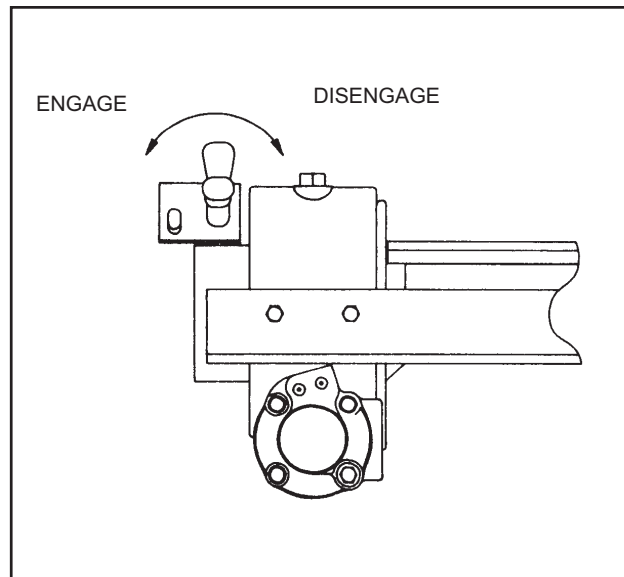


Figure 3-9 20,000# Winch Clutch

- c. The **20,000 lb and 30,000 lb PNEUMATIC WINCH CONTROL** has two positions.

RELEASE In this position, the winch is disengaged and air tension (if present) is released from the cable. Allow up to 15 seconds for release of air tension. The cable can then “free-wheel”. The cable may need to be slackened to allow winch to disengage.

IMPORTANT

WHEN REELING WINCH, MOMENTARILY ROTATE REEL IN OPPOSITE DIRECTION TO RELIEVE TENSION ON WINCH GEARS. THIS WILL AID IN WINCH RELEASE.

TENSION In this position, the winch is engaged and cable can be “power” spooled in or out. The winch is now controlled by the Winch Hydraulic Lever. Winch air tensioner will also be engaged, if present.

- d. The **20,000 lb WINCH AIR TENSION** or pressure on the cable is controlled by an air pressure regulator located behind the main control panel. It is set at 60 psi but can be adjusted, if desired, for more or less tension.
1. To adjust, turn the regulator adjusting knob. Clockwise rotation increases and counterclockwise rotation decreases outlet pressure and tension.

2. When reducing from a higher to a lower setting, first reduce to some pressure less than that desired, then bring up to the desired point.

3. Push locking on adjusting knob downward to lock pressure setting. To release, push locking upward. Free spool tension is applied by adjustable spring load on the cable. Free spool tension can be adjusted, if desired, for more or less free spool tension.

- e. The **30,000 lb WINCH AIR TENSION** or pressure on the cable is controlled at system air pressure for operation. An air pressure regulator located behind the main control panel is used to reduce air pressure and cable tension during free spool. It is set at 60 psi, but can be adjusted, if desired, for more or less free spool tension. For adjustment procedure, see **Section 3-16.2d. 1. through 3.**

- f. Once the winch is selected, winch operation is the same as described in **Section 3-16.1.**

IMPORTANT

REMOTE CONTROL OPERATION IS DESCRIBED IN SECTION 3-21.

3-17 DOCK LEVELER CONTROL OPERATION (OPTION)

DANGER

WHEN USING DOCK LEVELERS, THE SEMITRAILER MUST BE KEPT LEVEL AT ALL TIMES. DO NOT LOWER THE PARKING STANDS. LOADS BEING PLACED ON THE SEMITRAILER MUST BE KEPT CENTERED ON THE SEMITRAILER. AN UNLEVEL SEMITRAILER MAY ALLOW A LOAD TO SLIDE, CAUSING INJURY OR DEATH TO ANYONE NEAR THE LOAD!

DANGER

1. DO NOT OPERATE DOCK LEVELERS WITH UNDERCARRIAGE OUT OF REAR POCKETS.

2. DO NOT OPERATE DOCK LEVELERS WITH INSUFFICIENT SPACE ON BOTH SIDES OF THE SEMITRAILER. SEMITRAILER WILL LEAN TOWARD THE SIDE WITH THE SHORTEST CYLINDER. PERSONS OR EQUIPMENT CAN BE CRUSHED BETWEEN SEMITRAILER SIDE AND RIGID OBJECTS.

3. TRACTOR PARK BRAKES MUST BE SET WHEN USING DOCK LEVELERS.

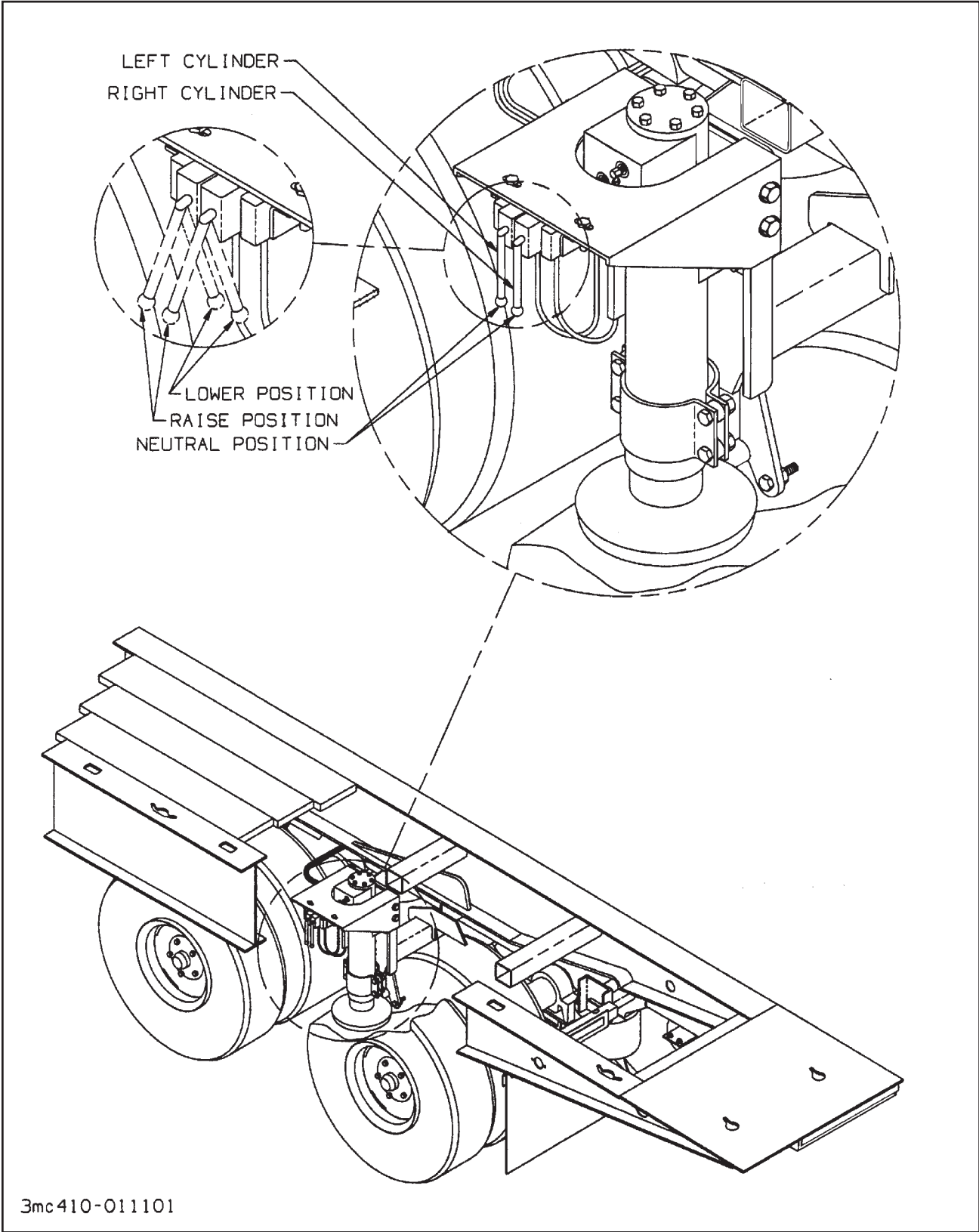


Figure 3-10 Dock Leveler Operation

CAUTION

BE SURE TO CHECK THAT THE DOCK LEVELERS ARE FULLY RETRACTED BEFORE MOVING THE SEMITRAILER. FAILURE TO RETRACT THE DOCK LEVELERS BEFORE OPERATING CAN CAUSE SEVERE DAMAGE TO THE SEMITRAILER.

3-17.1 The **DOCK LEVELER SELECTOR** is located on the control panel (See **Figure 3-4**). It switches control of the hydraulics to the **DOCK LEVELER CONTROLS** (See **Section 3-17.2**).

ENGAGE Dock Leveler Controls are operable.

DISENGAGE The Tilt, Winch, and Axle functions can be used, and the Dock Leveler is inoperable.

3-17.2 The **DOCK LEVELER CONTROLS** are located under the deck on the driver's side, between the axles (See **Figure 3-10**). There are two controls which adjust the height of the dock leveler cylinders. The front-most control adjusts the cylinder on the driver's or street side of the semitrailer. The rear-most control adjusts the cylinder on the curb-side of the semitrailer. Both controls have three positions.

IN When the control for either cylinder is pushed in, toward the center of the semitrailer, the corresponding dock leveler cylinder retracts and trailer bed is lowered.

CENTER This position is neutral for either control. When either control is in this position, there is no effect on either cylinder.

OUT When the control for either cylinder is pulled out, away from the center of the semitrailer, the corresponding dock leveler cylinder extends and trailer bed is raised.

3-17.3 If your semitrailer is equipped with optional dock leveler hydraulics, these may be used to level the rear of the semitrailer to a loading dock.

3-17.4 Park the semitrailer in front of the dock according to instructions in **Section 3-7**.

3-17.5 Engage hydraulic power supply. Switch the **DOCK LEVELER SELECTOR** to engage so hydraulic power is available to the Dock Leveler circuit. Use the **DOCK LEVELER CONTROLS** to raise the rear corners of the semitrailer as needed. Operate both controls at the same time. Pull the **DOCK LEVELER CONTROLS** to raise the semitrailer deck (to extend the dock leveler legs). Push the **DOCK LEVELER CONTROLS** to lower the semitrailer deck (to retract the semitrailer legs). Use one control to level adjust the semitrailer bed.

IMPORTANT

BE SURE TO RETRACT THE DOCK LEVELERS COMPLETELY WHEN FINISHED. PUSH THE DOCK LEVELER CONTROLS IN - AT THE SAME TIME - TO RETRACT THE DOCK LEVELER LEGS AND LOWER THE SEMITRAILER BED. IF THE DECK STARTS TO BECOME UNLEVEL, USE ONE CONTROL LEVER TO LEVEL THE DECK.

3-17.6 Switch **DOCK LEVELER SELECTOR** to disengage to return semitrailer hydraulics to normal operation. Shut off the hydraulic power.

3-18 HYDRAULIC POWER SUPPLY ENGINE OPERATION (OPTION)

3-18.1 The Hydraulic Power Supply Engine system is used to power the hydraulic functions, should the tractor not be equipped with hydraulic hookups.

IMPORTANT

1. CHECK THE FOLLOWING FLUIDS BEFORE STARTING THE ENGINE PACKAGE: ENGINE OIL, FUEL SUPPLY, HYDRAULIC OIL. (CHECK OIL LEVEL WHILE SEMITRAILER IS LEVEL. TILTING WILL CHANGE OIL LEVEL IN THE TANK.)

2. IF THE ENGINE DOES NOT CRANK, CHECK THE FOLLOWING ON THE BATTERY: CHARGE FLUID, TERMINALS, AND CABLES. TAKE CORRECTIVE ACTIONS AS NEEDED.

CAUTION

IF THE HYDRAULIC FLUID LEVEL IS LOW DURING OPERATION, THE SEMITRAILER MAY NOT OPERATE CORRECTLY, RESULTING IN DAMAGE TO THE SEMITRAILER.

3-18.2 The **ENGINE IGNITION SWITCH** is located on the engine control panel on the driver's side of the semitrailer. Use the key to start and stop the Hydraulic Power Supply Engine (See Figure 3-11). This switch has three positions:

- OFF** In this position, the power package engine does not run. The key can only be inserted or removed from this position.
- RUN** In this position, the engine runs without activating the starter.
- START** In this position, the starter cranks the power package engine, to start it. After the engine is started, release the key to the RUN position.

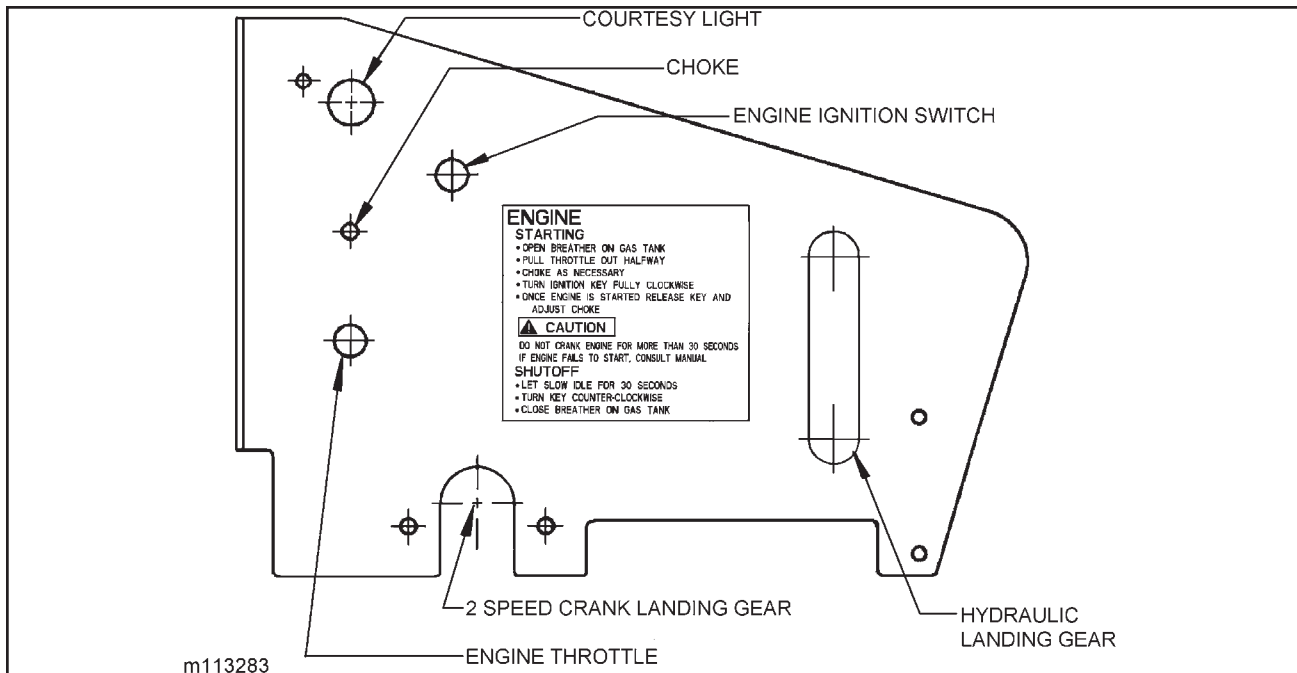


Figure 3-11 Engine Control Panel

3-18.3 The **HYDRAULIC POWER SUPPLY ENGINE CHOKE** (See **Figure 3-11**) is located to the left of the Engine Ignition Switch on the driver's side of the semitrailer. The purpose of the Choke is to aid the starting procedure.

IN This is normal operating position.

OUT Set the choke in this position as an aid to start the engine. Once the engine is started, push in the choke fully.

3-18.4 The **HYDRAULIC POWER SUPPLY ENGINE THROTTLE** is located to the below the choke on the driver's side of the semitrailer. The Engine Throttle controls the speed at which the engine operates (See **Figure 3-11**). It is a variable position control:

FULL OUT In this position, the engine throttle is fully open, letting it run at full speed.

FULL IN In this position, the engine throttle is closed, letting the engine run at a slow idle.

3-18.5 To start, pull the choke completely out and set the throttle to the **MEDIUM IDLE** position.

3-18.6 Turn the ignition key to the **START** position. The engine should crank and then start.

3-18.7

3-19 AIR RIDE OPERATION

3-19.1 Trailer air pressure must be maintained above 90 PSI before operating. **PROTECTION VALVES** are used to maintain 65 PSI air brake pressure during suspension or remote system air loss.

3-19.2 The Model 660C tandem axle semitrailer is equipped with a ride control valve located on front axle. When moving the undercarriage from transport to load position, the front axle is raised off ground, causing suspension air bags to deflate achieving low load angle.

CAUTION

DO NOT CRANK ENGINE FOR MORE THAN 10 SECONDS. IF ENGINE DOES NOT START, CONSULT THE OWNER'S MANUAL SUPPLIED WITH THE ENGINE.

3-18.8 When the engine starts, release the key. Gradually push the choke lever in until the engine runs smoothly.

IMPORTANT

BLACK SMOKE FROM THE EXHAUST AND A ROUGH ENGINE INDICATE OVERCHOKING.

3-18.9 To adjust the speed, turn the throttle control in or out, as needed, until the engine runs smoothly at a speed capable of withstanding use of the hydraulic controls. The hydraulic controls should now be functional.

3-18.10 Before shutting it off, allow the engine to cool down by running at a slow idle for thirty seconds.

3-18.11 Once the engine is cool, turn or push the throttle control completely in and turn the ignition switch key to the **OFF** position.

CAUTION

IF SUSPENSION AIR LOSS SHOULD OCCUR, COMPLETELY DEFLATE SUSPENSION AND TEMPORARILY OPERATE ON THE AIR SPRINGS INTERNAL RUBBER BUMPERS. CAREFULLY PROCEED TO THE NEAREST SEMI-TRAILER SERVICE FACILITY. TO DEFLATE THE AIR SUSPENSION, DISCONNECT THE LOWER CONNECTION ON THE LINKAGE OF THE AUTOMATIC AIR VALVES. ROTATE THE VALVE CONTROL ARMS DOWN ABOUT 45° TO EXHAUST THE AIR. TO RESTORE TO NORMAL OPERATION, SIMPLY REVERSE THE PROCEDURE.

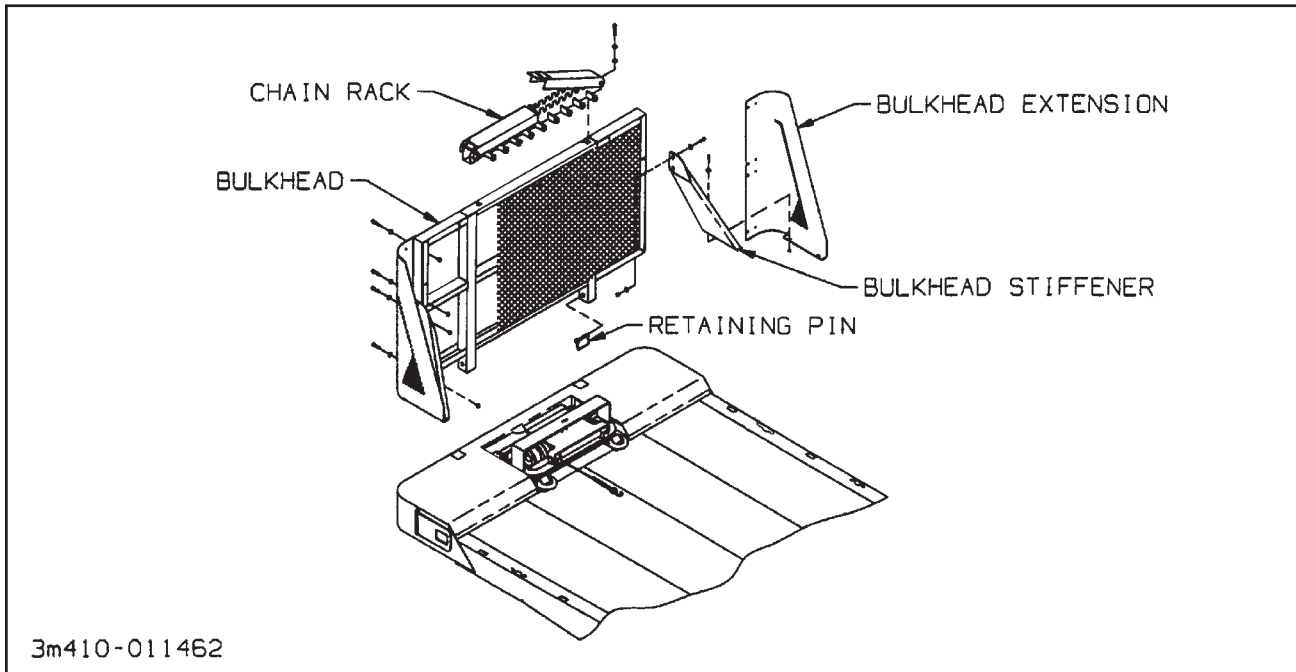


Figure 3-12 Bulkhead

3-19.3 The Model 610C triple axle semitrailer, with 10'-1" spread between front and rear axles is equipped with additional height control valves to adjust the suspension during loading and unloading operations. When moving the undercarriage from transport to load position, the undercarriage is tilted with the center axle air bags inflated and rear axle suspension air bags deflated to achieve low load angle. This function positions the center axle for added undercarriage support to the semitrailer and payload when tilted for loading/unloading.

CAUTION

INSURE SUSPENSION AIR BAGS ARE INFLATED ON ALL AXLES WHEN MOVING UNDERCARRIAGE FROM LOAD TO TRANSPORT POSITION. FAILURE TO DO SO CAN CAUSE EXCESSIVE TIRE WEAR.

3-19.4 Different tractor fifth wheel heights may affect proper operation of the triple axle suspension air system. In the event front and rear axle suspension air bags are not inflated or feel soft by the time the undercarriage has reached transport position, adjustment to the front and rear axle control valve linkage may be required. (See Section 4-6.3 j.).

3-20 BULKHEAD (OPTION)

3-20.1 Optional bulkheads may come with or without chain racks. To remove a bulkhead, disconnect the electrical harness (if work lights are present), remove retaining pins holding the bulkhead into the pockets on the semitrailer front and bolts and nuts attaching the bulkhead extensions and supports to the deck, and lift the bulkhead off (See Figure 3-12).

⚠ DANGER

TO AVOID SERIOUS INJURY, ALL REMOVABLE ATTACHMENTS MUST BE FIRMLY ATTACHED WITH FASTENERS PROVIDED AT ALL TIMES.

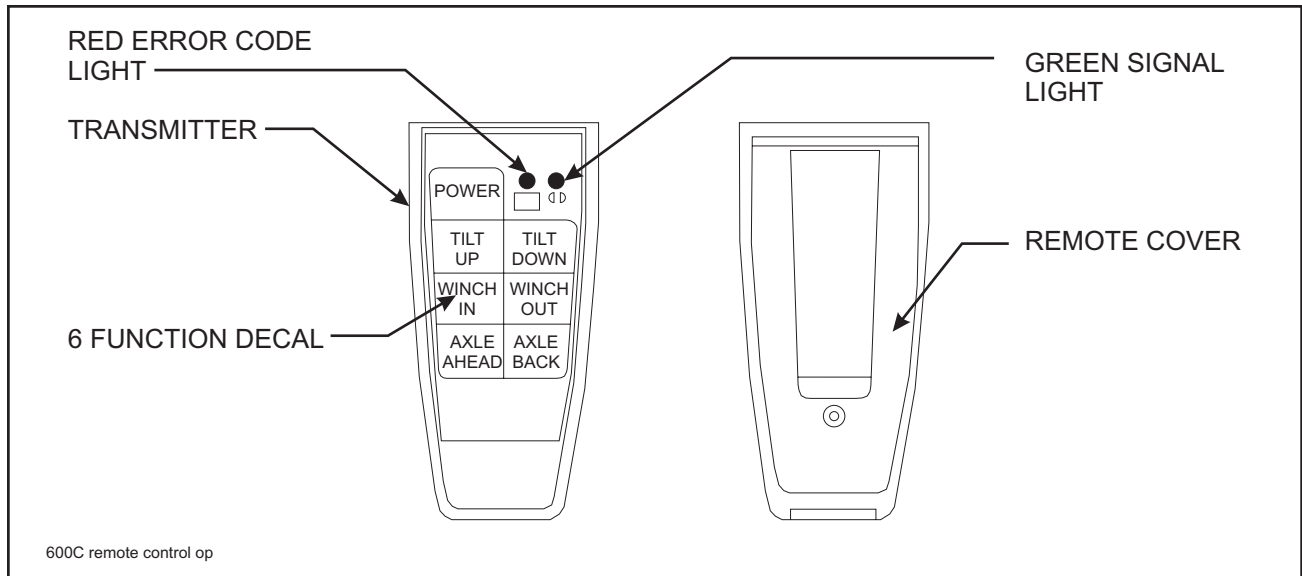


Figure 3-13 Remote Control Transmitter

3-21 REMOTE CONTROL (OPTION)

3-21.1 A wireless six function radio remote control is available (See Figure 3-13).

3-21.2 The wireless radio remote has six momentary push button switches that operate the functions as labeled on the hand held remote.

3-21.3 To operate the remote:

- a. Push ON/OFF power switch on the transmitter to turn ON. The transmitter is designed with power saving feature which turns the transmitter off after 2 minutes if none of the switches are pushed.
- b. Pushing any buttons will also turn the outputs on if the power is not on for panic situation. To eliminate this feature, contact the factory.
- c. There is a green and red light both inside the receiver and on the transmitter.
- d. The Green LED on the transmitter and receiver blinks every 1/2 second if there is communication between the transmitter and the receiver. It will blink once a second if there is no communication (i.e. no power to the receiver).
- e. The Red LED blinks a number of times for each output if there is a short or an open to that output. For example, 4 blinks and a pause means output number 3 has a problem. The transmitter's Red LED also blinks once every second if the batteries are low and need to be replaced.

3-21.4 Address programming:

There are over 64,000 different addresses (identities) for each transmitter and receiver. In many cases both transmitters and receivers are matched at the factory. If matching is required:

- a. Apply power to the receiver.
- b. With the transmitter off, press and hold the transmitter's POWER switch, Tilt Down, and Axle Ahead switches simultaneously. At this point, both lights will flash on and off on the transmitter.
- c. Press and hold the red push button on the front cover of the receiver for over five seconds.
- d. Wait until the green and red lights stop toggling in the transmitter.

3-21.5 Specifications:

RF: 900 MHz FHSS 10mW
 Temperature: Operation: -40° to +85° C
 Storage: -55° to +100° C

Output Rating: 5 Amps max each sourcing

- a. Encapsulated electronics inside receiver.

IMPORTANT

ON WINCHES WITH THE AIR TENSION OPTION, THE WINCH TENSION IS ENGAGED AUTOMATICALLY WHEN THE SWITCH IS TURNED TO WINCH IN/OUT. THE WINCH TENSION SWITCH MUST BE USED TO DISENGAGE THE WINCH.

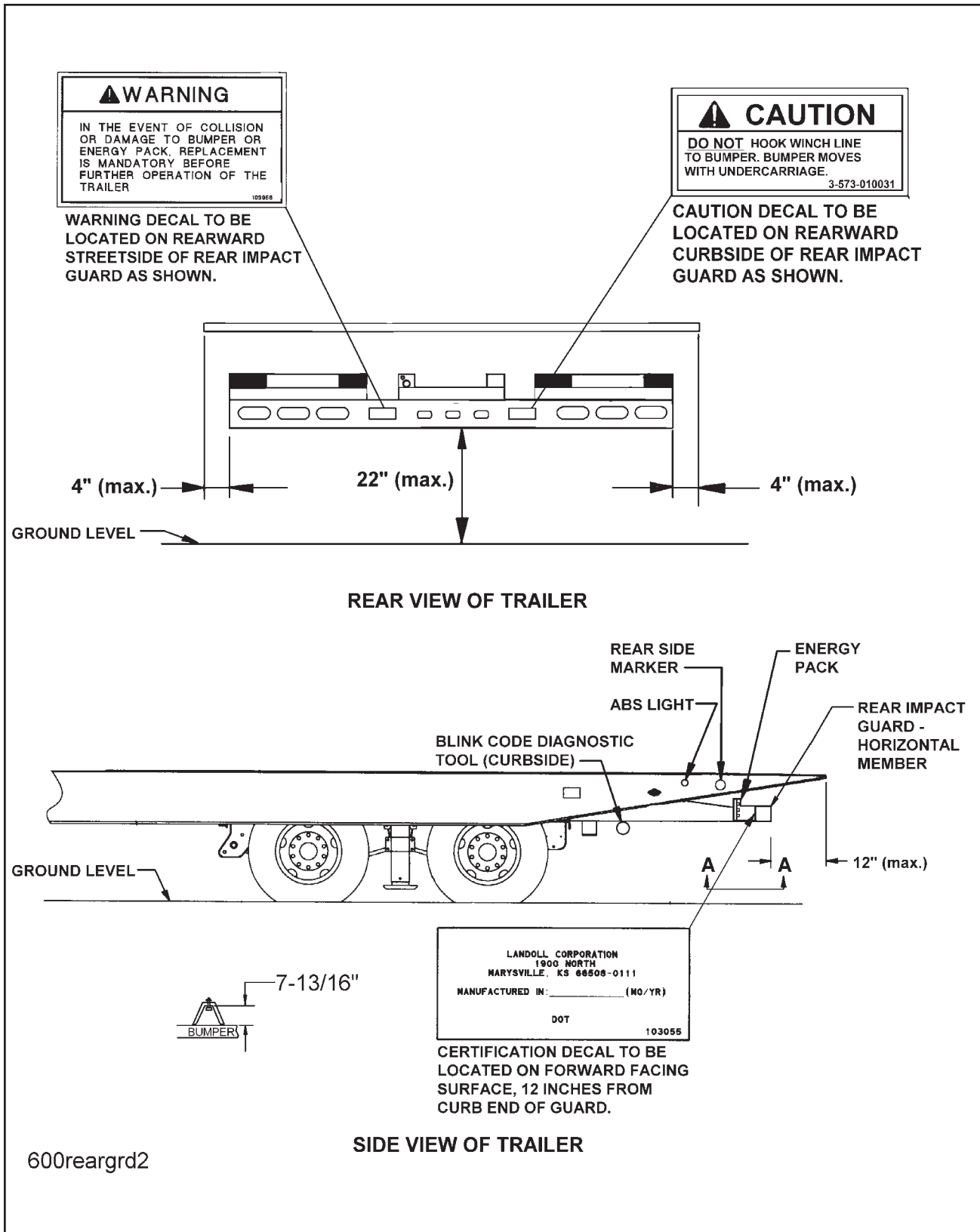


Figure 3-14 Rear Impact Guard and Antilock Brake System

3-22 REAR IMPACT GUARD SYSTEM

Vehicle standards FMVSS No. 224, Rear Impact Protection, requires all 600 Series trailers manufactured after January 26, 1998 shall be equipped with a rear impact guard certified by the manufacturer as meeting FMVSS No. 223, Rear Impact Guards. The guard, or bumper, (**See Figure 3-14**), meets the following requirements:

- **minimum of 4 inches vertical height**
- **extend laterally to within 4 inches of the sides of the trailer**
- **ground clearance of no more than 22 inches**
- **placed no more than 12 inches from the rear of the trailer.**
- **capable to deflect 5 inches.**

The standard also specifies minimum force and energy absorption requirements for the guard. A DOT decal certifies that the guard meets FMVSS No. 223 and 224 standards. The decal is placed **and must remain at all times** on the forward facing surface of the guard, 12 inches inboard of the curb side and of the guard. **See Figure 3-14** for location of decals.

Replace any component that does not allow the above minimum requirements to be met. Any hardware that holds the rear impact guard and becomes damaged or becomes loose shall be removed and replaced. The 3/4" grade 8 screws that hold the bumper energy pack shall be loctited and torqued to 280 ft.-lbs.

DANGER

ALWAYS CHECK THE CONDITION OF THE REAR IMPACT GUARD SYSTEM. IF GUARD SYSTEM HAS BEEN DAMAGED, IT MUST BE REPLACED. FAILURE TO MAINTAIN GUARD SYSTEM MAY RESULT IN INJURY OR DEATH TO OTHERS.

3-23 ANTI-LOCK BRAKE SYSTEM (ABS)

Vehicle standards FMVSS No. 121, anti-lock brake system requires all trailers manufactured after March 1, 1998 with air brake systems to have ABS. Each trailer (including a trailer converter dolly) shall be equipped with an anti-lock brake system that controls the wheels of at least one axle of the trailer. Wheels on other axles of the trailer may be indirectly controlled by the anti-lock brake system.

NHTSA Docket 92-29; notice 11 published September 23, 1996 specifies the ABS warning light be mounted near the rear of the left side of the trailer (See Figure 3-14).

- **Decal or lens marking with ABS to identify the lamp.**
- **The lamp must illuminate one time whenever power is supplied to the ABS. At any time the light remains on when power is supplied there is a malfunction to the system.**

The ABS used on the semitrailer is a commercial unit. Single axle trailers use a two sensor, one modulator system. Tandem and triple axle semitrailers use a four sensor, two modulator system. Sensors are located at each hub of the front and rear axles, and each modulator controls one side of the trailer.

The ABS is constant powered by the auxiliary (blue) circuit, center pin on the semitrailer seven way electrical connector. This circuit must be hot whenever the tractor keyswitch is on. This circuit must also not be used to power any additional electrical devices while the semitrailer is moving forward. However, additional devices such as remote controls may be powered from the auxiliary circuit while the semitrailer is stationary. Back up power to the ABS is supplied through the stop lamp (red) circuit, No. 4 pin on the seven way connector, and ground is supplied by the white wire, No. 1 pin.

CAUTION

THE AUXILIARY (BLUE) CIRCUIT IS FOR POWERING THE SEMITRAILER ABS. THIS CIRCUIT MUST BE HOT WHEN THE TRACTOR KEY SWITCH IS ON. NO OTHER ELECTRICAL DEVICES MAY BE POWERED BY THIS CIRCUIT WHILE THE SEMITRAILER IS MOVING FORWARD.

Malfunction in the ABS is signaled by illumination of the ABS warning lamp located at the left rear side of the semitrailer. The warning lamp will come on and stay on while power is supplied to the ABS on a moving vehicle, if there is a fault. If a fault in the ABS exists, normal braking will still occur, but wheels may lock. The semitrailer is still operable, but the system should be serviced as soon as possible.

CAUTION

IF A FAULT EXISTS IN THE SEMITRAILER ABS, NORMAL BRAKING WILL OCCUR, BUT WHEELS MAY LOCK. SERVICE THE ABS AS SOON AS POSSIBLE.

3-24 COLD WEATHER OPERATION

- 3-24.1** Cold weather causes lubricants to congeal, insulation and rubber parts to become hard, which may lead to problems found in bearings, electrical systems, and air systems. Moisture attracted by warm parts can condense, collect and freeze to immobilize equipment. The truck/semitrailer operator must always be alert for indicators of cold weather malfunctions.
- 3-24.2** During any extended stop period, neither the service nor parking brake should be used as they can freeze up. Use wheel chocks to secure the vehicle from moving.
- 3-24.3** Check all structural fasteners, air system fittings, gaskets, seals and bearings for looseness that can develop due to contraction with cold. Do not over-tighten.
- 3-24.4** Check tire inflation. Tire inflation decreases when the temperature decreases.
- 3-24.5** Periodically check drain holes in the bottom of the relay valve (for trailers with air brakes) and storage compartments. They must be open at all times to avoid moisture entrapment.


3-25 HOT WEATHER OPERATION

- 3-25.1** Hot weather operation can create certain problems which must be checked. Expansion of parts result in tightening of bearings, fasteners, and moving parts. Failure of gaskets or seals can occur.
- 3-25.2** The semitrailer should be parked in the shade if possible. Long exposure to the sun will shorten service life of rubber components (i.e., tires, light and hose grommets, hoses, etc.) and paint life.
- 3-25.3**
- 3-25.4** Check tire pressure early in the day before beginning operations while the tire is cool. Replace all valve stem caps after checking.
- 3-25.5** If the area is extremely humid, protect electrical terminals with ignition insulation spray. Coat paint and bare metal surfaces with an appropriate protective sealer.
- 3-25.6** The use of a filter-lubricator in the towing vehicle's air delivery system is recommended.

This section contains instructions necessary for proper maintenance of the semitrailer. The 600C semitrailer is designed for years of service with minimal maintenance. However, proper maintenance is important for durability and safe operation and is an owner/user responsibility.

4-1 MAINTENANCE SCHEDULE

Trailer maintenance includes periodic inspection and lubrication. **Table 4-2, Maintenance Schedule**, lists the recommended maintenance and lubrication tasks by time interval and by accumulated mileage (use whichever occurs first). **Table 4-3, Hydraulic Engine Maintenance Schedule**, lists the recommended maintenance tasks for the hydraulic engine package.

 DANGER
OPERATING THE TRACTOR OR TRAILER WITH DEFECTIVE, BROKEN OR MISSING PARTS MAY RESULT IN SERIOUS INJURY OR DEATH, DAMAGE TO THE TRACTOR/TRAILER, ITS CARGO, OR PROPERTY IN ITS PATH.


4-1.1 Inspection

- a. Inspect the tractor, the trailer, and trailer parts periodically for damage or signs of pending failure. Damaged or broken parts must be repaired or replaced at once. Determine the cause of any binding or hydraulic leakage at once. Correct the problem before using the tractor or trailer.

- b. Use the troubleshooting section, **Section 5** to check for “SYMPTOMS” and “PROBLEMS” of any trailer system not functioning correctly, or where wear, distortion, or breakage are found. Administer “REMEDY” according to the right-hand column of the troubleshooting section.

4-1.2 Lubrication

Figures 4-1, 4-2, 4-3, and Table 4-1 detail lubrication points and intervals, method of application, and lubricant required, and illustrate the location of each part to be lubricated. During inspections of the trailer, if lubricants are found to be fouled with dirt or sand, those parts should be cleaned with paint thinner, dried, and relubricated immediately. Dirt in a lubricant forms an abrasive compound that will wear parts rapidly.

 WARNING
PAINT THINNER AND OTHER SOLVENTS ARE FLAMMABLE AND TOXIC TO EYES, THE SKIN, AND RESPIRATORY TRACT. AVOID SKIN AND EYE CONTACT. GOOD GENERAL VENTILATION IS NORMALLY ADEQUATE. KEEP AWAY FROM OPEN FLAMES OR OTHER COMBUSTIBLE ITEMS.

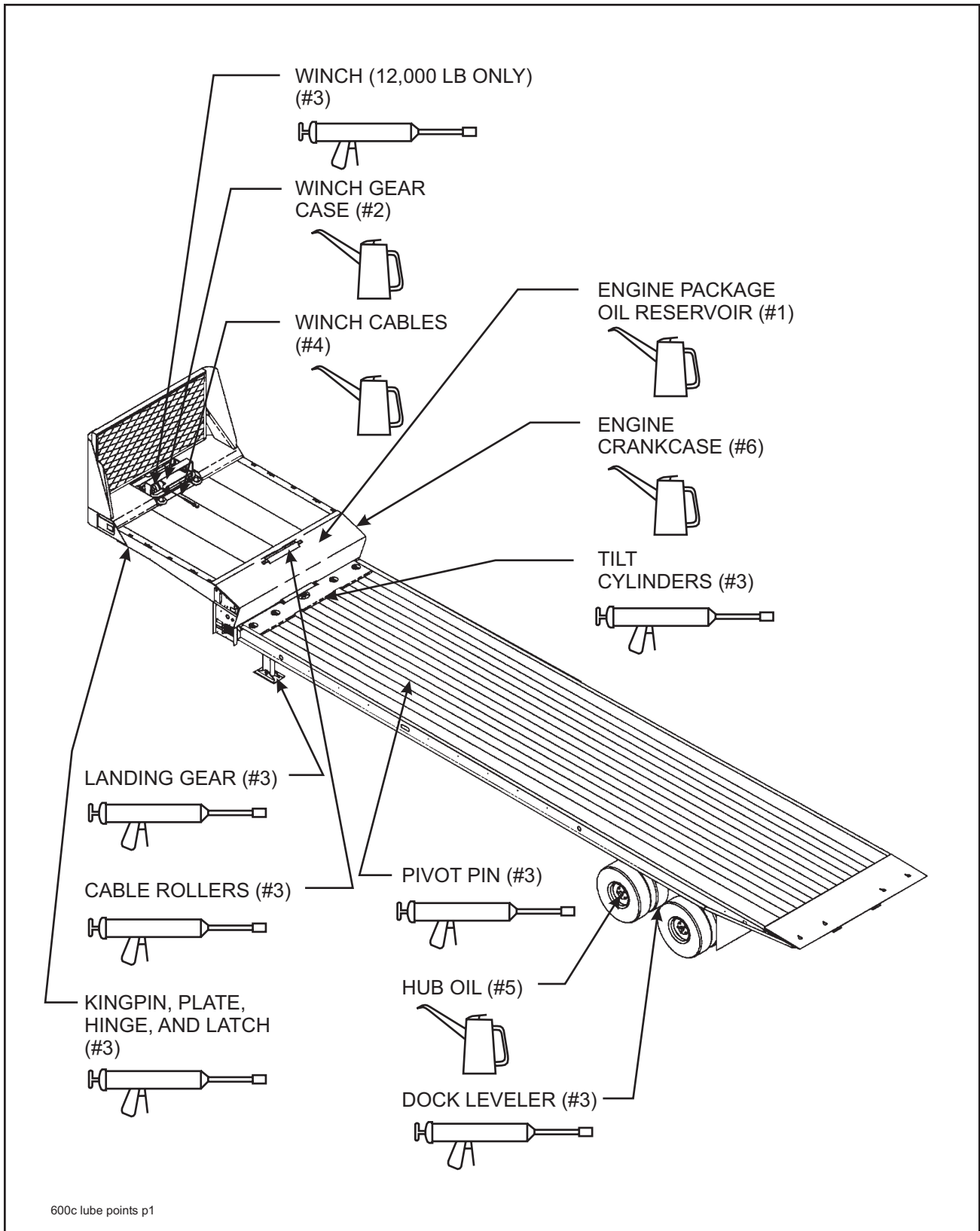


Figure 4-1 Lubrication Points (1 of 3)

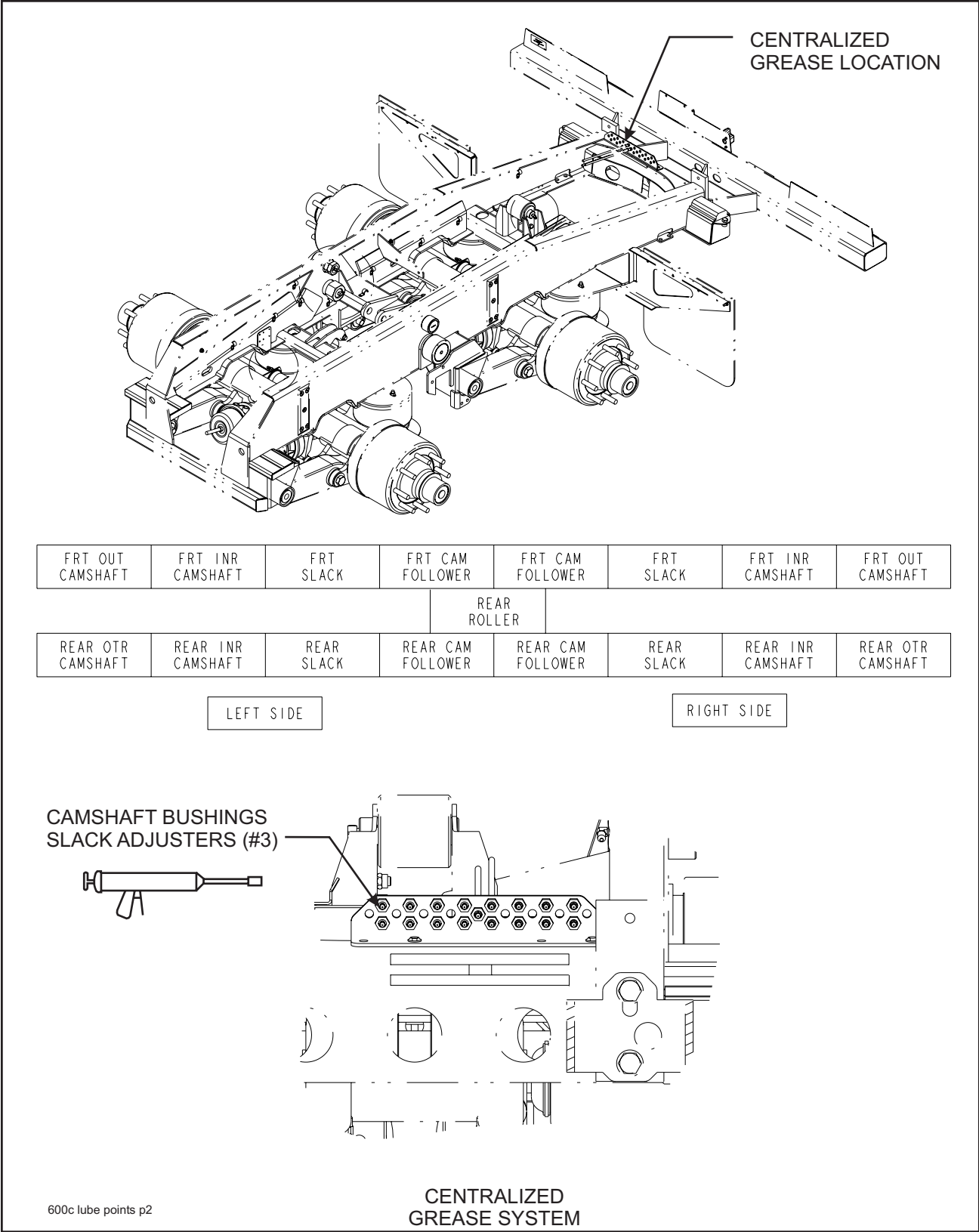
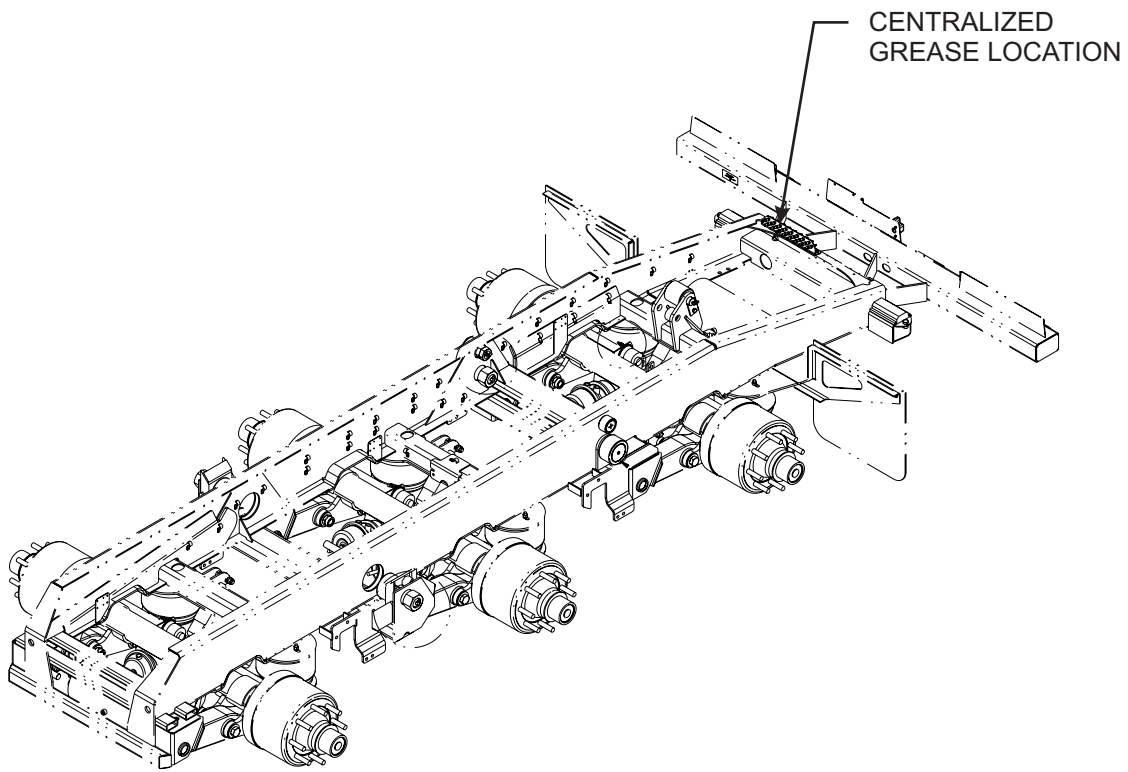
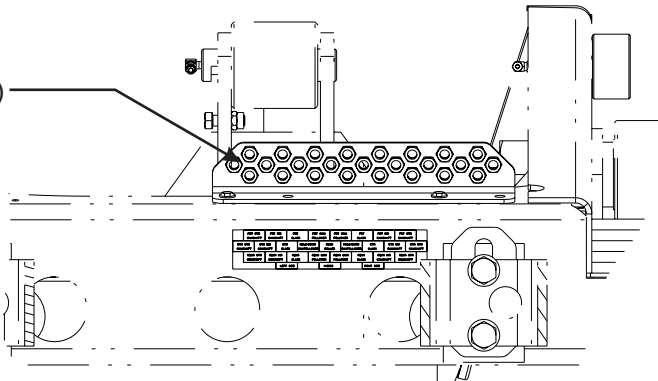
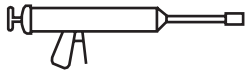


Figure 4-2 Lubrication Points (2 of 3)



	FRT OTR CAMSHAFT	FRT INR CAMSHAFT	FRT SLACK	FRT CAM FOLLOWER	FRT CAM FOLLOWER	FRT SLACK	FRT INR CAMSHAFT	FRT OTR CAMSHAFT	
	CTR OTR CAMSHAFT	CTR INR CAMSHAFT	CTR SLACK	HOLD-DOWN CAMFOLLOWER	REAR ROLLER	HOLD-DOWN CAMFOLLOWER	CTR SLACK	CTR INR CAMSHAFT	CTR OTR CAMSHAFT
	REAR OTR CAMSHAFT	REAR INR CAMSHAFT	REAR SLACK	REAR CAM FOLLOWER	REAR CAM FOLLOWER	REAR SLACK	REAR INR CAMSHAFT	REAR OTR CAMSHAFT	
	LEFT SIDE			143688		RIGHT SIDE			

CAMSHAFT BUSHINGS
SLACK ADJUSTERS (#3)



CENTRALIZED
GREASE SYSTEM

600c lube points p3

Figure 4-3 Lubrication Points (3 of 3)

LUBE	SEASON	BRAND AND PRODUCT (WEIGHT AND/OR TYPE)			
		AMOCO	EXXON	PHILLIPS	TEXACO
1	ALL YEAR	Rycon MV	HDX Plus 10W	Mangus Oil A KV 5W-20	Rando HD-AZ
2	SUMMER	Permagear EP 460 SAE 140	Spartan 460 SAE 140	Phil Gear Lube 460 SAE 140	Meropa 460 SAE 140
	WINTER	Permagear EP 220 SAE 90	Spartan 220 SAE 90	Phil Gear Lube 220 SAE 90	Meropa 220 SAE 90
3	ALL YEAR	Lit-Multi-purpose Grease	Ronex Multi-purpose Grease	Phil Lube M.W. Grease	MarFax All Purpose
4	ALL YEAR	Industrial Oil 32	Estic 32	Condor 32 or Magnus 32	Regal Oil R&O 32
5	ALL YEAR	Gear Lube SAE 80W-90	Gear Oil GX SAE 80W-90	Superior MP Gear Oil SAE 80W-90	Multi-gear EP SAE 80W-90
6	ABOVE 0° F	Ultimate Gold 10W-30, 10W-40	SuperFlow 10W-30, 10W-40	Tropartic 10W-30, 10W-40	Havoline 10W-30, 10W-40
	BELOW 32° F	Ultimate Gold 5W-20, 5W-30	SuperFlow 5W-20, 5W-30	Tropartic 5W-20, 5W-30	Havoline 5W-20, 5W-30

Table 4-1 Lubrication Specifications

4-2 MAINTENANCE PROCEDURES

4-2.1 Repair Parts

Repair parts are illustrated and listed in a separate parts manual. Replacement of parts due to wear is determined by examination and measurement in the Maintenance Procedures of this section.

4-2.2 Tools and Equipment

Tools, equipment, and personnel normally found in a facility capable of making truck repairs will be adequate for maintenance of the semitrailer. No other special tools or equipment should be necessary.

4-2.3 Torque Values

Tables 2-1 and 2-2 list torque values for standard hardware and hydraulic fittings. They are intended as a guide for average applications involving typical stresses and mechanical surfaces. Values are based on the physical limitations of clean, plated, and lubricated hardware. In all cases, when an individual torque value is specified, it takes priority over values given in this table. Replace original fasteners with hardware of equal grade.

4-2.4 Cleaning

- Wash semitrailer to remove all accumulated dirt and grime.
- Use any mineral spirits paint thinner (or its equivalent) to remove grease and oil from all parts of the trailer. Rinse degreasing solution off with cold water.
- Inspect semitrailer for cause of any reported troubles.



WARNING


PAINT THINNER AND OTHER SOLVENTS ARE FLAMMABLE AND TOXIC TO EYES, SKIN, AND RESPIRATORY TRACT. AVOID SKIN AND EYE CONTACT. GOOD GENERAL VENTILATION IS NORMALLY ADEQUATE. KEEP AWAY FROM OPEN FLAMES OR OTHER COMBUSTIBLE ITEMS.

- Scrape, sand, prime, and repaint areas where finish is missing or where there is evidence of corrosion.

NORMAL OPERATING SERVICE INTERVALS ^a								
SERVICE INTERVAL : ITEM	TIMES	1st 5 Hrs	Weekly	Monthly	6 Months	Yearly	LUBE #	NOTES
	MILES	50	500	2,000	12,000	25,000		
LIGHTS		I	I					
WIRING & CONNECTIONS		I		I				
FASTENERS		I, T		I				b
KING PIN AND PLATE		I		C,I,L			3	c
BRAKE AIR SYSTEM		I	I	I				
RELAY VALVES						I, C		
BRAKE ADJ & WEAR		I		I, T				d
SLACK ADJUSTERS		I	I		L		3	c
CAMSHAFT ASSYS		I	I			L	3	c
HUB OIL		I	I, L			R	5	c
WHEEL BEARINGS		I			I, T		5	c
TIRE INFLATION & WEAR		I	I					e
WHEEL LUG NUTS		I, T	I	I, T				f
SUSPENSION ALIGNMENT		I		I				
AIR RIDE SUSPENSION				I, T		I, T		
UNDERCARRIAGE ROLLERS				L			3	c
HYDRAULIC OIL		I	I			R	1	c
HYDRAULIC FILTER		R			R			
HOSES		I		I		R		
WINCH GEAR CASE		I		I			2	c
DOCK LEVELERS		I	I	C,I,L			3	g
I – Inspect, R – Replace, T– Tighten/ Adjust Torque, L – Lubricate, C – Clean								
NOTES:								
a. Perform at the time shown. Shorten service intervals when operating in severe or dirty conditions.								
b. See Tables 2-1 and 2-2 (General and Hydraulic Fitting Torque Charts) for correct torque.								
c. See Table 4-1 (Lube Specification Chart) for recommended lubricant.								
d. See Section 4-8 for procedures.								
e. See Serial Number Plate on the front of the semitrailer for proper inflation requirements.								
f. See Section 4-10 for procedures.								
g. See Dock Levelers on page 4-32 for service procedures.								

Table 4-2 600C Maintenance Schedule

ENGINE MAINTENANCE SCHEDULE				
OPERATION	AFTER EACH CYCLE OF INDICATED HOURS			
	8	25	100	200
FILL FUEL TANK	X			
CHECK OIL LEVEL	X			
CHECK AIR CLEANER FOR DIRTY, LOOSE, OR DAMAGED PARTS	X*			
CHECK AIR INTAKE AND COOLING AREAS, CLEAN AS NECESSARY	X*			
SERVICE PRECLEANER ELEMENT		X*		
SERVICE AIR CLEANER ELEMENT			X*	
CHANGE OIL			X	
CHECK SPARK PLUG CONDITION AND GAP			X	
REMOVE COOLING SHROUDS AND CLEAN COOLING AREAS			X	
CHANGE OIL FILTER				X
NOTE: *PERFORM THESE MAINTENANCE PROCEDURES MORE FREQUANTLY UNDER EXTREMELY DUSTY, DIRTY CONDITIONS.				

 WARNING

BREATHING EXHAUST GASES CAN RESULT IN SEVERE PERSONAL INJURY OR DEATH. DO NOT USE AIR CLEANER, EXHAUST ELBOW, OR CONNECTING PARTS AS A SUPPORTING STEP. DAMAGE TO THESE AND CONNECTING PARTS CAN CAUSE AN EXHAUST LEAK.

Table 4-3 Hydraulic Engine Maintenance Schedule

- e. Replace any missing or illegible decals. Replace any missing or damaged reflective tape.
- f. Use Troubleshooting Guide to check for "SYMPTOMS" AND "PROBLEMS" of any semitrailer system not functioning correctly, or where wear, distortion, or breakage can be found. Administer "REMEDY" according to right-hand column of Troubleshooting guide.

- g. After disassembling any components, thoroughly clean dirt and old lubricant from all parts. Do not use a wire brush on any bearing parts or surfaces — use a stiff bristle brush. Do not use compressed air, or spin bearing parts when cleaning. These practices can throw solvents, dirt, or metal particles into your eyes. Dry clean parts with lint free, clean, soft, absorbent, cloth or paper. Wash and dry hands.
- h. Inspect seals, seal wiping surfaces, bearing caps, and bearing cones for wear, pitting, chipping, or other damage.

4-3 GOOSENECK, FRAME, AND DECK

4-3.1 Repairing Structural Defects

If any structural defect is found, the fault must be corrected before further use of the vehicle. To continue usage could endanger the trailer, its load, personnel, traffic, and properties. If any cracks or breaks are found, contact the Landoll factory for repairs. Inspect the deck daily for broken or missing planks or missing attachments. Replace any defective parts promptly.

4-3.2 Fifth Wheel Latch Adjustment

- a. To adjust fifth wheel latch assembly, support fifth wheel plate and adjust rear nut until the cam just touches the flat surface on the latch (**See Figure 4-4**).
- b. Then tighten the front nut compressing the spring to approximately 10-3/8" or until there is sufficient tension to hold the fifth wheel plate in place.

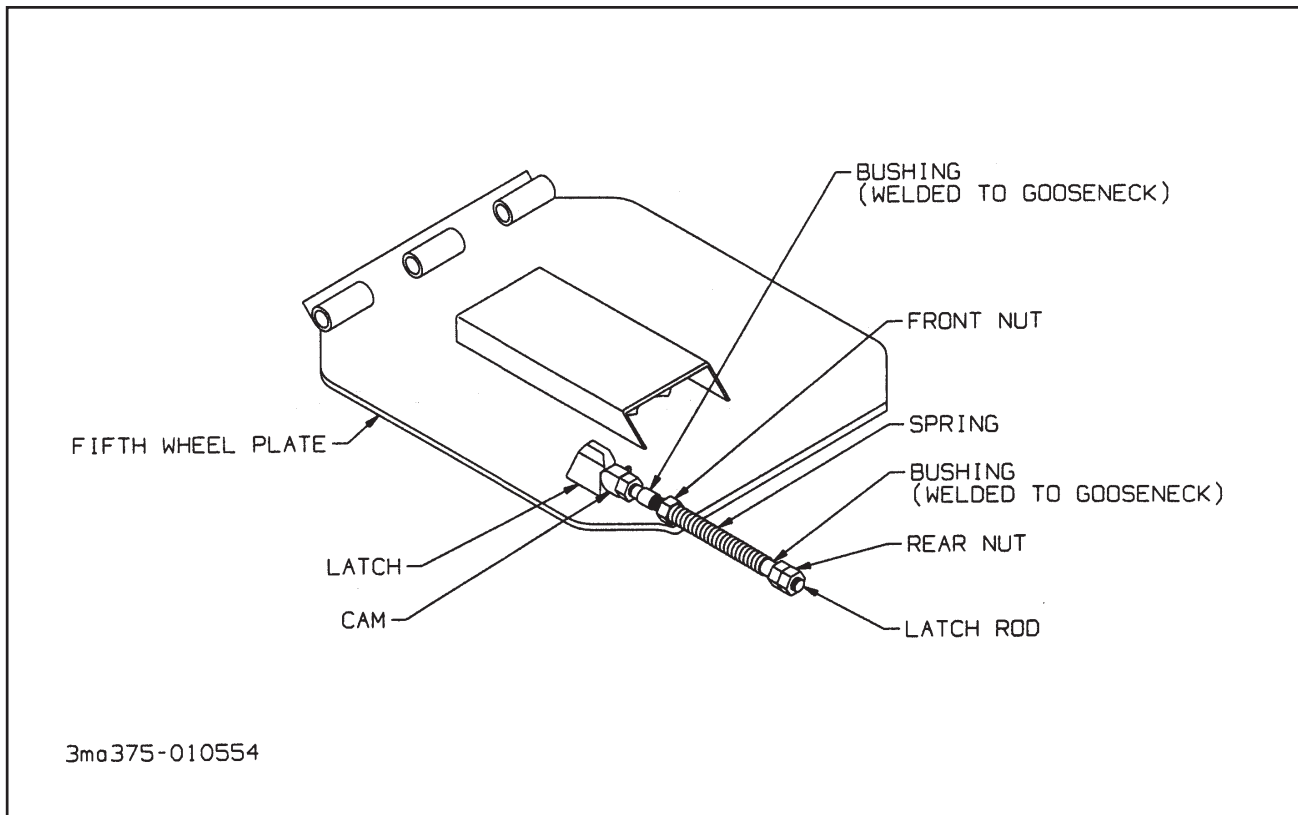


Figure 4-4 Fifth Wheel Latch Adjustment

IMPORTANT

TO CHECK THE TENSION ON THE LATCH, PLACE A PRY BAR BETWEEN THE FIFTH WHEEL PLATE AND THE BACKING PLATE AND PRY DOWN UNTIL THE LATCH RELEASES. IF IT RELEASES TOO EASILY, TIGHTEN THE SPRING TENSION. IF YOU ARE UNABLE TO TRIP IT, BACK OFF THE SPRING TENSION UNTIL YOU ARE ABLE TO TRIP THE RELEASE.

WARNING

1. TOO MUCH TENSION WILL CAUSE EXCESSIVE WEAR ON THE RELEASE AND POSSIBLY BEND THE LATCH ROD.
2. STAND CLEAR OF FIFTH WHEEL PLATE WHEN PRYING IT DOWN. FALLING PLATE COULD CAUSE SERIOUS INJURY.

4-4 HYDRAULIC SYSTEM

4-4.1 General

- a. Check the oil level of the tractor wet kit or hydraulic engine power hydraulic tank weekly, or after any leakage. See **Table 4-1** for proper hydraulic oil. Check the hydraulic oil level with hydraulic cylinders in the retracted position and the hydraulic pump disengaged. Enough volume in tank (approximately 15 gallons) above hydraulic oil level must be available to accept extra oil from telescopic cylinder when retracted.
- b. Overfilling can cause hydraulic fluid overflow during operation.
- c. Dock leveler flow bypass regulator must provide 2.5 to 3.0 gallon per minute to dock leveler valve for Single Pair Dock Leveler (62,000 lb.). Dock leveler flow bypass regulator must provide 6.0 gallon per minute to dock leveler valve for Double Pair Dock Leveler (124,000 lb.).
- d. Hydraulic system pressure relief valves should be set at 2500 psi.

4-4.2 Hydraulic Engine Package

- a. Check the hydraulic oil level weekly, or after any leakage. See **Table 4-1** for proper hydraulic oil. Check oil level with the undercarriage telescopic cylinder extended and all other hydraulic cylinders in the retracted position and with the engine stopped.
- b. Check hoses weekly for cracks or leaks. If a valve or line leaks, it should be replaced immediately.
- c. Check the engine oil each time before using. Oil level should be maintained between the "L" and "F" marks on the oil dip stick. For further maintenance procedures and proper lubrication specifications, please refer to the engine owners manual that was supplied with the hydraulic engine package.
- d. Replace hydraulic filter with new filter (**See Table 4-2**).
- e. Use the fuel recommended for the engine package installed on your semitrailer.

WARNING

IF MORE OIL THAN SPECIFIED IS SENT TO DOCK LEVELER VALVE, DAMAGE TO DOCK LEVELERS AND PERSONAL INJURY CAN OCCUR. IF LESS OIL THAN SPECIFIED IS SENT TO DOCK LEVELER, THEY WILL NOT OPERATE OR OPERATION WILL BE ERRATIC.

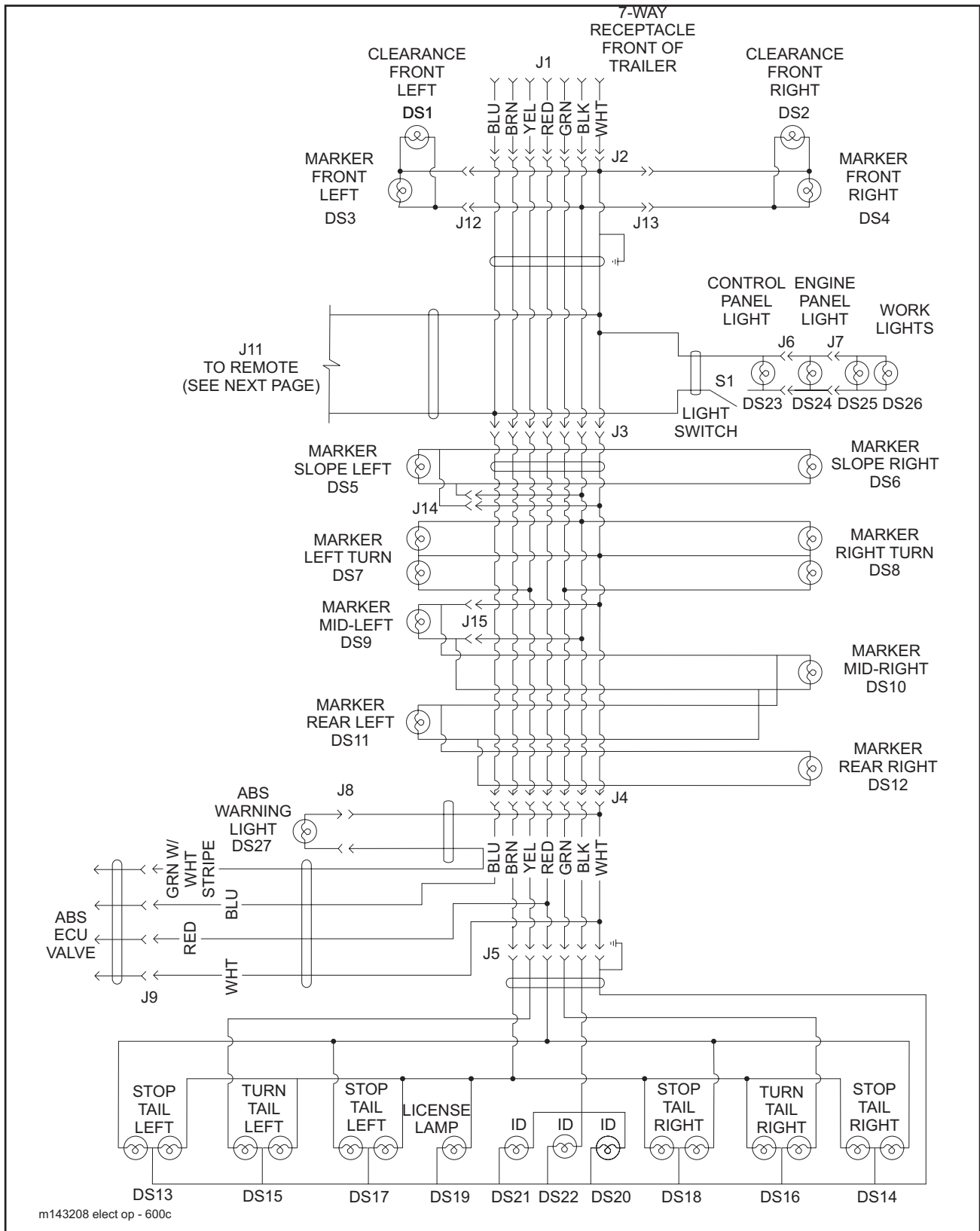


Figure 4-5 600C Wiring Diagram

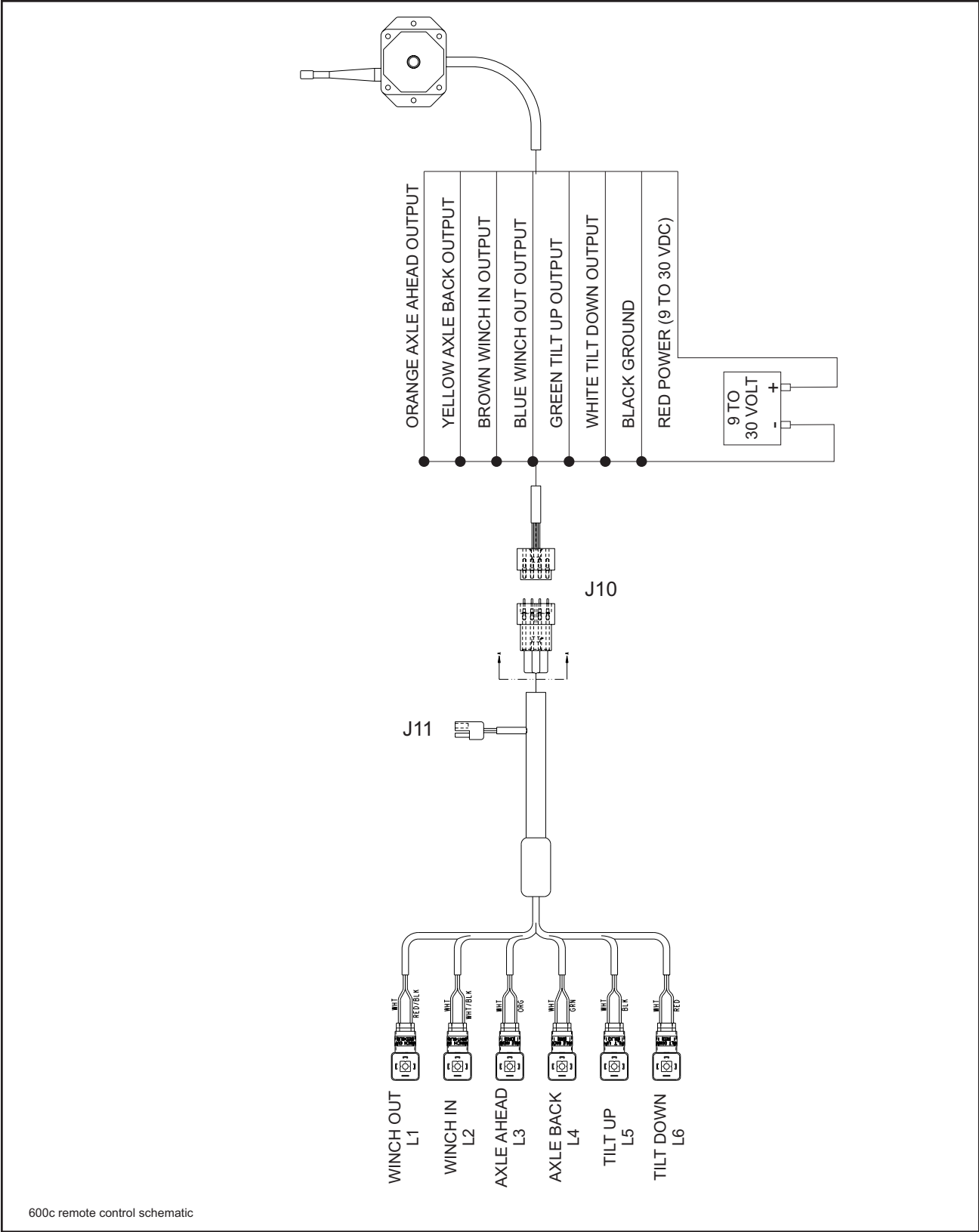


Figure 4-6 Remote Wiring Diagram

600C SERIES WIRING PARTS LIST		600C SERIES WIRING PARTS LIST	
REF. DES.	FUNCTION	REF. DES.	FUNCTION
DS1	FRONT LEFT CLEARANCE, YELLOW	DS27	ABS MALFUNCTION INDICATOR, YELLOW
DS2	FRONT RIGHT CLEARANCE, YELLOW	J1	7 WAY RECEPTACLE
DS3	FRONT LEFT MARKER, YELLOW	J2	FRONT MAIN CONNECTOR
DS4	FRONT RIGHT MARKER, YELLOW	J3	BED MAIN CONNECTOR
DS5	LEFT SLOPE MARKER, YELLOW	J4	E-CHAIN CONNECTOR
DS6	RIGHT SLOPE MARKER, YELLOW	J5	BUMPER CONNECTOR
DS7	LEFT SIDE MARKER/TURN, YELLOW	J6	ENGINE PANEL LIGHT
DS8	RIGHT SIDE MARKER/TURN, YELLOW	J7	WORK LIGHTS
DS9	MID-LEFT SIDE MARKER, YELLOW	J8	ABS LAMP CONNECTOR
DS10	MID-RIGHT SIDE MARKER, YELLOW	J9	ABS ECU VALVE CONNECTOR
DS11	LEFT REAR SIDE MARKER, RED	J10	REMOTE RECEIVER CONNECTOR
DS12	RIGHT REAR SIDE MARKER, RED	J11	REMOTE CONNECTOR
DS13	LEFT STOP/TAIL, RED	J12	FRONT CORNER MARKER, LEFT CONNECTOR
DS14	RIGHT STOP/TAIL, RED	J13	FRONT CORNER MARKER, RIGHT CONNECTOR
DS15	LEFT TURN/TAIL, RED	J14	FRONT BED MARKER CONNECTOR
DS16	RIGHT TURN/TAIL, RED	J15	REAR BED MARKER CONNECTOR
DS17	LEFT STOP/TAIL, RED	L1	AXLE LOAD
DS18	RIGHT STOP/TAIL, RED	L2	AXLE TRANSPORT
DS19	LICENSE PLATE LIGHT, RED	L3	WINCH IN
DS20	IDENTIFICATION RIGHT, RED	L4	WINCH OUT
DS21	IDENTIFICATION LEFT, RED	L5	TILT UP
DS22	IDENTIFICATION CENTER, RED	L6	TILT DOWN
DS23	CONTROL PANEL	S1	WORK LIGHT
DS24	ENGINE PANEL		
DS25	WORK LIGHT		
DS26	WORK LIGHT		

Table 4-4 600C Wiring Parts List

4-5 ELECTRICAL SYSTEM

- 4-5.1** Maintenance of the electrical system consists of inspection and minor servicing. Any wire, connection or electrical component showing signs of corrosion, wear, breakage or unraveling must be repaired or replaced. (See Figures 4-5 and 4-6 for electrical wiring diagrams and Table 4-4 for wiring parts list)
- 4-5.2** Frayed or unraveling wire must have the defective section removed and replaced with wire of the same color and gauge. Seal all connections and insulate.
- 4-5.3** Corroded terminals must have the corrosion removed, source of corrosion neutralized and the terminals resealed, protected, and insulated.

4-5.4 Fuse or circuit breaker burn-out or blow-out usually indicates an electrical short-circuit, although a fuse can occasionally fail from vibration. Insert a second fuse or reset the breaker. If this fuse immediately burns out or the breaker trips, locate the cause of the electrical short and repair.

4-5.5 A light that repeatedly burns-out usually indicates a loose connection, poor system ground, or a malfunctioning voltage regulator. Locate the source of the problem and repair. System grounds must be grounded to bare metal surfaces. Paint, grease, wax, and other coatings act as insulators. Replacement lamps must be equivalent to the factory installed lamp.

4-6 SUSPENSION MAINTENANCE

4-6.1 Air Ride Suspension

- See Figures 4-7 and 4-9 for Tandem and Triple Axle Air Ride Suspension drawings.
- Physically check all nuts, bolts, and air line fittings for proper torque (see torque chart below).

AIR SUSPENSION TORQUE CHART				
Size	1-1/8"-7	1/2"-13	*3/4"-16	3/4"-10
Torque in Ft. Lbs.	**800 or 550	35	35	150

* Air Spring Connections Only.

** First number listed is torque required if bolt head designated with Neway; Second number listed is torque required if bolt head designated with Holland Neway.

- Check all other suspension components for any sign of damage, looseness, wear or cracks.
- With trailer on level surface and air pressure in excess of 65 psi, all air springs should be of equal firmness. The height control valve on right side of front axle controls all air springs on tandem axle suspensions.
- The height control valve on right side of center axle controls ride height for all air springs on triple axle suspension.

4-6.2 Air Ride Height Adjustment (See Figure 4-8)

WARNING

- Not following proper installation and adjustment procedures can result in broken shock absorbers, burst air bags and/or over height problems. This potentially hazardous situation could result in death or serious injury.
- DO NOT adjust by loosening the 1/4 inch Adjusting Lock Nut and Bolt. This procedure may cause damage to the valve and require replacement. Contact Landoll Service Department for detailed instructions on Suspension Ride Height Adjustment.

IMPORTANT

This manual does not cover the suspension ride height installation or adjustment procedures, due to the setup steps variations of trailer frames. For proper ride height installation and adjustment, simply record the equipment VIN/ NIV number from the identification plate and contact the Landoll Trailer Service Department. Please visit <https://landoll.com/contact-us/service-contacts/land-oll-trailer-service/> or call 1-800-446-5175 for assistance.

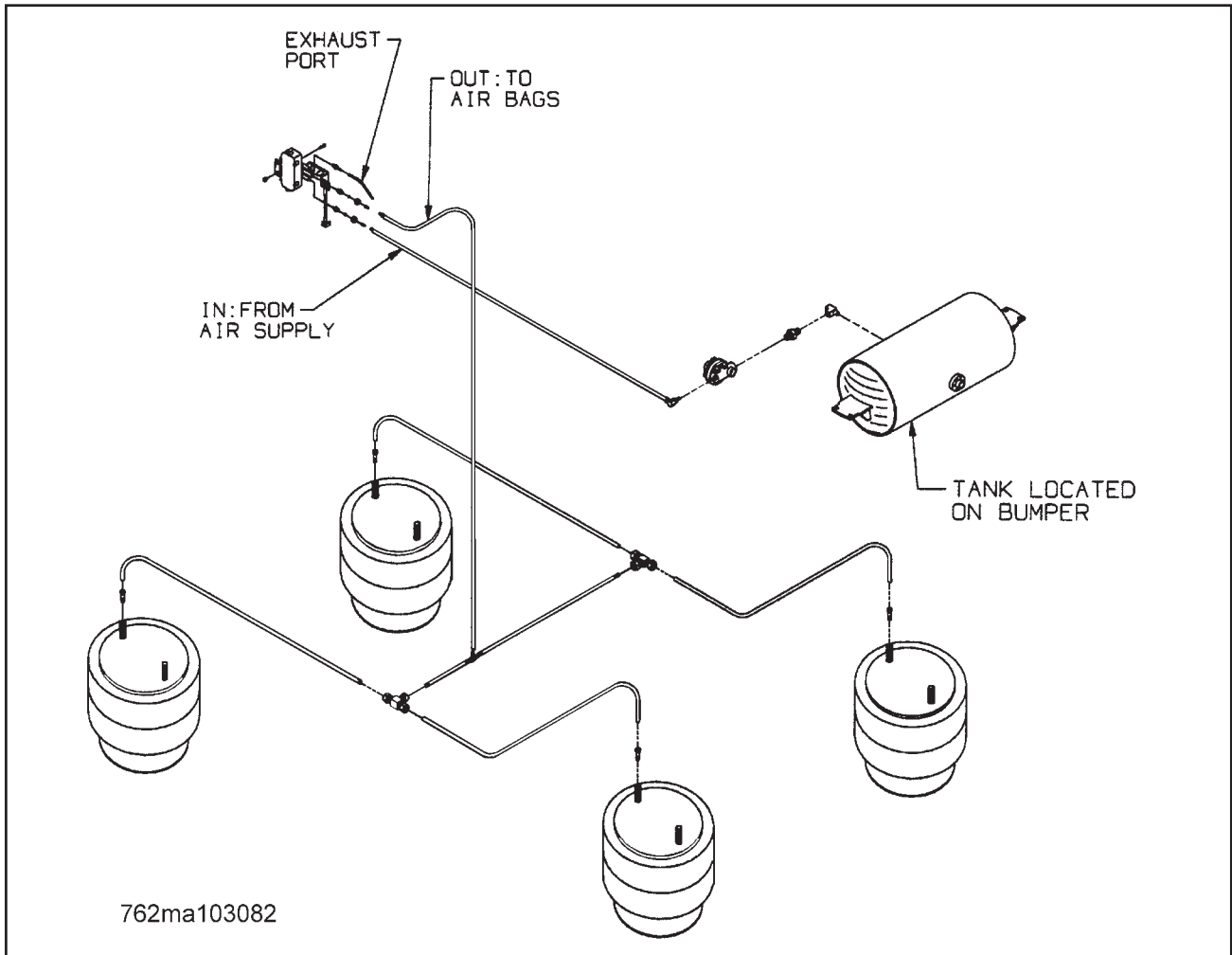


Figure 4-7 Tandem Axle Air Ride Suspension System

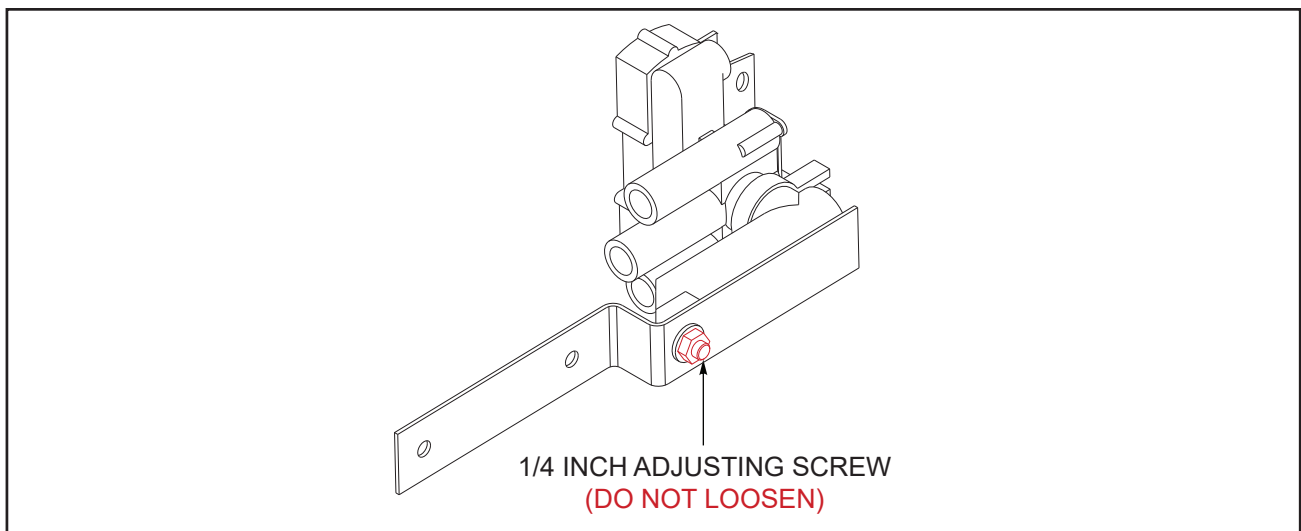


Figure 4-8 Height Control Valve

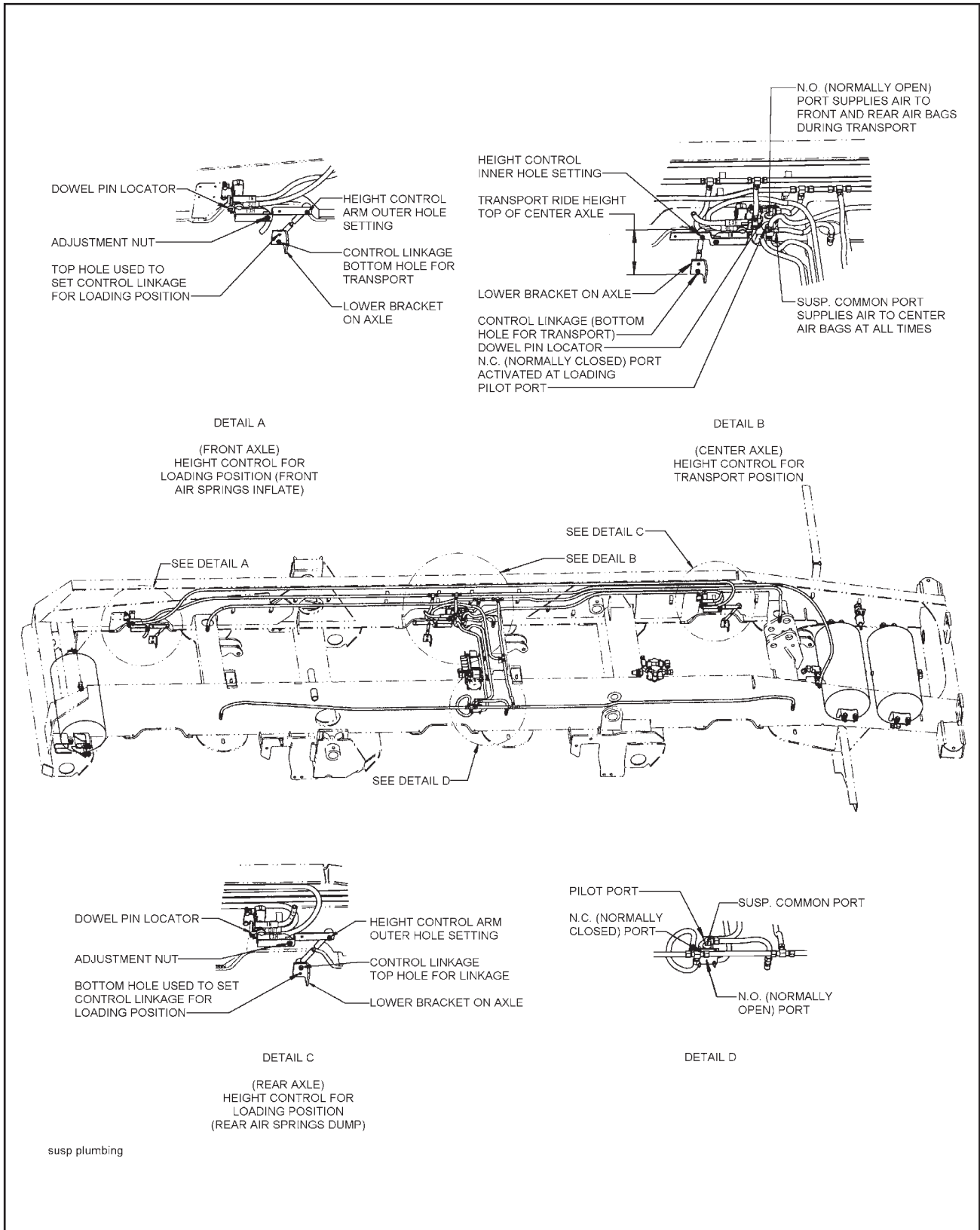


Figure 4-9 Triple Axle Air Ride Suspension System

THIS PAGE LEFT BLANK

4-7 ALIGNMENT

4-7.1 Wheel Alignment

DANGER

TO PREVENT A LIFE THREATENING ACCIDENT:

1. SUPPORT TRAILER AND UNDERCARRIAGE SO TIRES ARE OFF THE GROUND.

2. SUPPORT THE TRAILER AND UNDERCARRIAGE ON JACK STANDS WITH SUFFICIENT CAPACITY TO SUPPORT THE TOTAL WEIGHT OF THE TRAILER AND ANY LOAD WHICH IT MAY BE CARRYING.

When trailer tires show signs of scuffing, feather-edging or uneven wear, examine the trailer for damaged suspension (frame, shocks, linkage, etc.), axle, wheel bearings and wheels. Proper wheel alignment and wheel bearing adjustment is essential for proper tire wear. The simplest form of checking wheel alignment "toe" is by running the trailer over a "SCUFF GAUGE". A scuff gauge reading of 16 feet or less per mile is considered satisfactory. If a scuff gauge is not readily available, or edge wear on one side of a tire is occurring signifying positive or negative camber, alignment can be checked as follows:

- a. Remove wheel, hub and bearing assemblies.
- b. Place a 3-point axle gauge against the front side of the axle, and adjust each axle gauge point to the axle. (Double point end against the inner and outer wheel bearing surfaces of the spindle being checked and the other point on the inner bearing surface on the other spindle.)(See Figure 4-10).
- c. Move the axle gauge and place against the back side of the axle. If either of the points of double point end fails to touch the axle surface, a bent spindle is evident. A point gap of .015" or more is considered excessive tire "toe" and the axle must be replaced (See Figure 4-10).
- d. Follow the same procedures as in Section 4-7.1 b. and c., except place the axle gauge above and below the axle. If gauge point gap is found, the axle has positive or negative camber. The trailer axle has no camber from the factory. If it is found to have positive or negative camber, axle replacement is necessary (See Figure 4-12 for examples of camber).

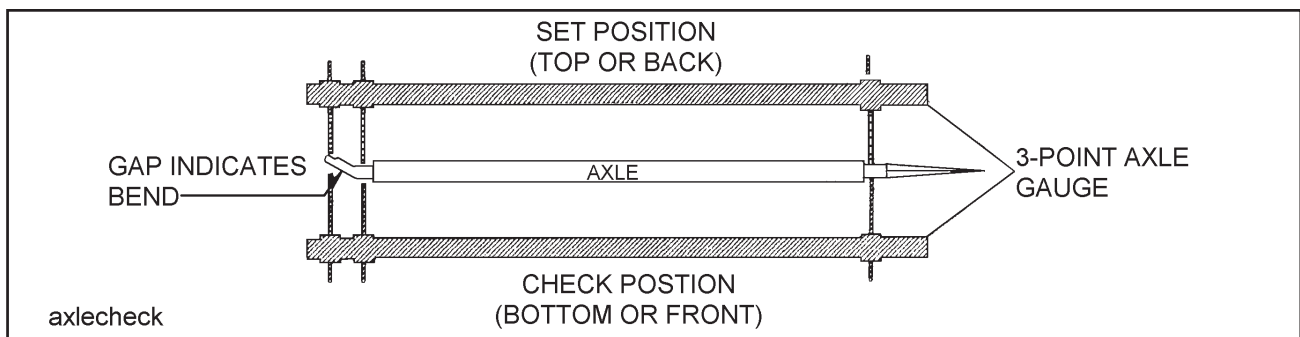


Figure 4-10 Checking Axle for Bend

4-7.2 Axle Alignment

Proper axle to king pin alignment is necessary to obtain straight tracking. If axle alignment is off, "dog-tracking" occurs. Check alignment manually or by using a semitrailer alignment machine. In either case, a thorough inspection of the complete suspension must be performed and all defects corrected before aligning.

a. Manual Alignment Procedure

1. Position semitrailer on a firm and level surface. Insure that the undercarriage is in the rear most position. Eliminate any suspension binding due to sharp turns or unusual maneuvers.
2. Detach tractor from the semitrailer and jack the trailer up sufficiently to permit measuring from the underside of the trailer.
3. Suspend a plumb bob at axle height from the center of the king pin.
4. Measure (D) from the plumb bob to the center point on one end of the axle. Record this measurement (**See Figure 4-11**).
5. Measure (D1) to the other end of the axle in the same manner as in **Step 4**. Record this measurement (**See Figure 4-11**).
6. Set D about 1/8" shorter than D1 to insure proper trailer tracking on slope of road.
7. The suspensions must be in good repair with no binding or other restrictions before aligning. All defective parts of the suspension or axles must be replaced immediately.

b. Air Ride Suspension Axles

The air ride suspension is aligned and adjusted at the factory and it should not be necessary to align the axles. If, however it does become necessary to align the axles, the procedure is as follows:

1. To align air ride suspension axles, locate the front axle equalizer beam pivot bolt in front hanger at front end of lock nut. Loosen the suspension pivot bolt lock nut. Rotate the head of the pivot bolt. For axle alignment forward, rotate bolt head clockwise. For axle alignment rearward, rotate the bolt head counter-clockwise. Both sides of axle need to be adjusted to prevent axle rise or fall.
2. Align the front axle using the method outlined in **Section 4-7.2 b**.
3. After proper alignment has been obtained, tighten the suspension pivot bolt nut to the torque listed in the table in **Section 4-6.1 b**.
4. Align the rear axle to the front axle. Locate the rear axle equalizer beam pivot bolt in hanger at front end of driver's side rear axle equalizer beam. Loosen the suspension pivot bolt lock nut. Rotate the head of the pivot bolt. For axle alignment forward, rotate bolt head clockwise. For axle alignment rearward, rotate the bolt head counter-clockwise. The rear axle should be parallel with the front axle, with the dimensions Y and Y1 being the same.
5. Tighten the suspension pivot bolt nut to the torque listed in the table in **Section 4-6.1 b**.

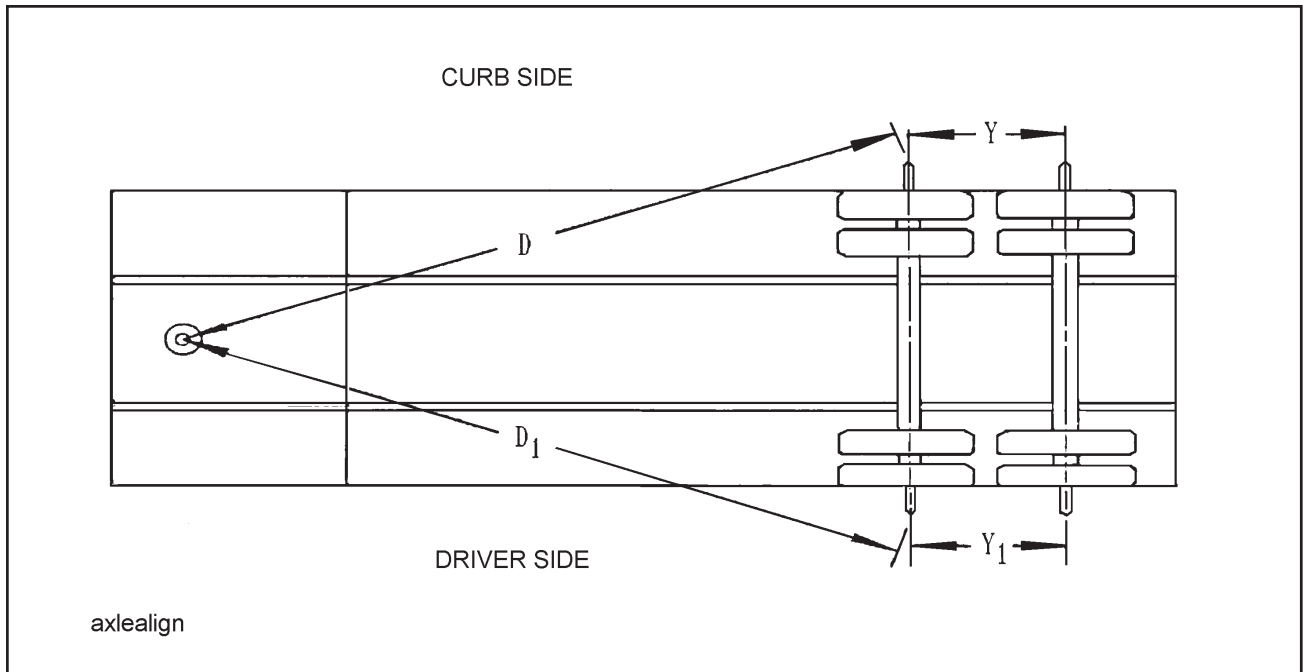


Figure 4-11 Checking Axle Alignment

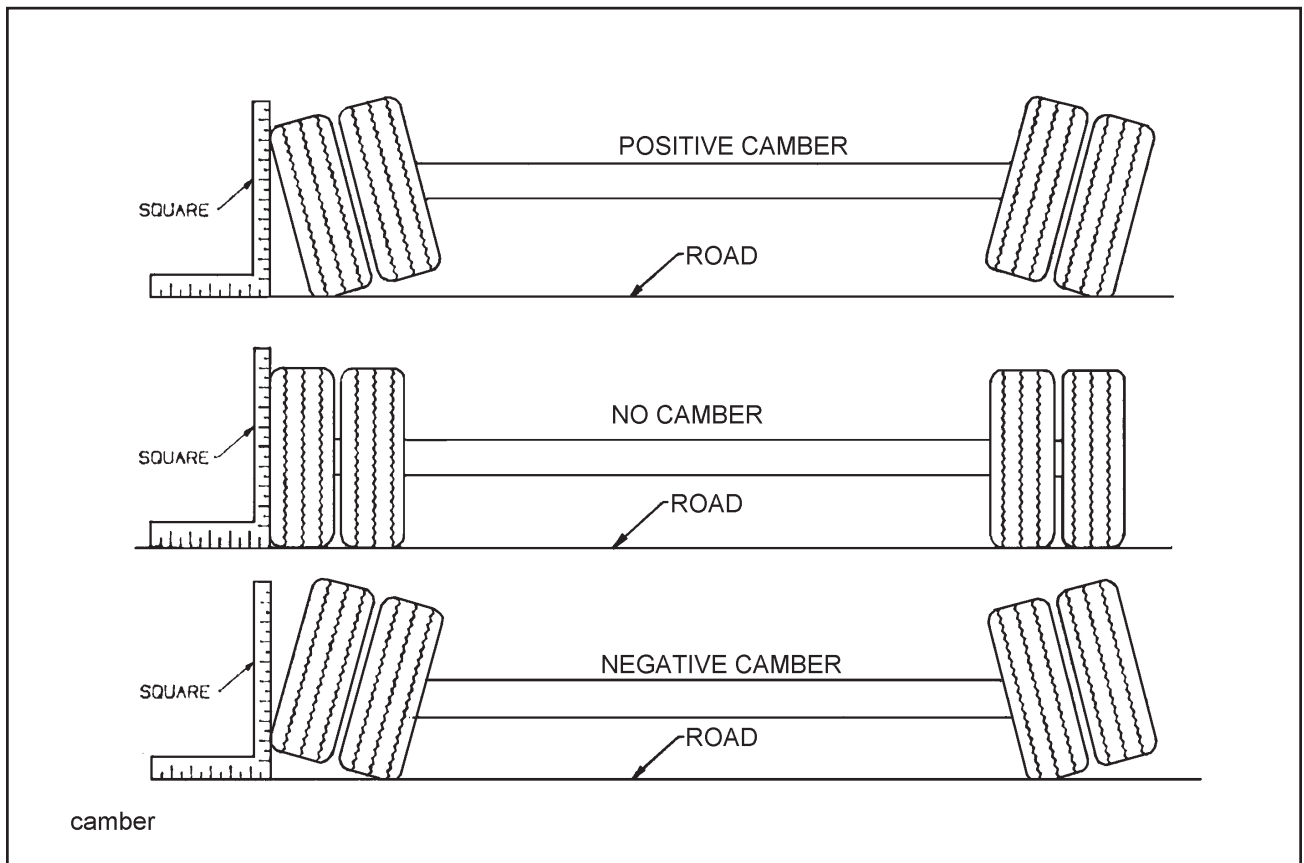


Figure 4-12 Examples of Camber

4-8 BRAKE SYSTEM MAINTENANCE

⚠ WARNING

1. WHEN CRAWLING UNDER THE SEMITRAILER IS NECESSARY, CHOCK ALL WHEELS OF THE TRAILER AND TRACTOR. WHEN JACKING IS NECESSARY, CHOCK ALL WHEELS AND SUPPORT THE SEMITRAILER UNDERCARRIAGE WITH JACK STANDS SUFFICIENT TO WITHSTAND THE WEIGHT OF THE SEMITRAILER AND LOAD. FAILURE TO TAKE ADEQUATE SAFETY MEASURES MAY RESULT IN SERIOUS PERSONAL INJURY OR DEATH.

2. USE GREAT CARE IF WHEELS OR BRAKE DRUMS MUST BE HANDLED. THEY MAY BE VERY HOT AND CAN CAUSE SERIOUS BURNS.

4-8.1 General.

A daily general inspection will reveal the most common problems found in the spring brake system. This inspection should include the following:

- a. Check air hoses for chafing, bends, kinks, or damaged fittings. Replace defective hoses.
- b. Check the brake system for loose, missing, deformed, or corroded fasteners. Replace and tighten defective hardware.
- c. Check brake linings for excessive wear or distortion.
- d. Drain air reservoir daily. A drain cock on the bottom of each air reservoir vents the tank to drain collected water and oil. If held open, air pressure in the tanks is relieved, causing the emergency or parking brakes to be applied (See Figure 4-13).

4-8.2 Spring Air Brake Chambers

Check for faulty units. Check the condensation holes on the underside of the brake chambers to make sure they are open. The spring brake has two brake chambers, a service chamber and an emergency chamber or spring chamber. Service brake chambers should be disassembled and cleaned per interval described in **Table 4-2**. The diaphragm and any marginal parts should be replaced. When replacing the service diaphragm, replace the corresponding parts for the other chamber on the same axle (to aid in even brake application and release). Examine yoke pin for wear and replace as necessary. The spring chamber should not be serviced. Replace entire unit (both service and spring chamber) if spring chamber becomes faulty.

⚠ WARNING

THE SPRING BRAKE CHAMBER EMPLOYS A SPRING WITH HIGH FORCES. SERVICE SHOULD NOT BE ATTEMPTED. SERIOUS INJURY OR DEATH MAY RESULT.

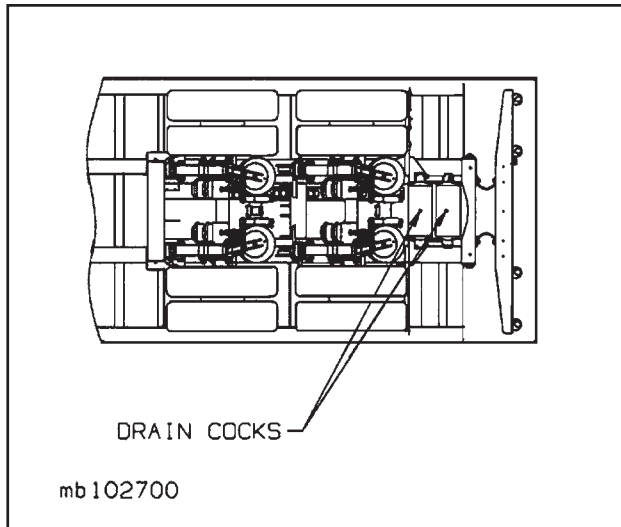


Figure 4-13 Drain Cock Locations

a. Caging the Power Spring

1. Chock the trailer wheels.
2. Remove dust cap from spring brake chamber.
3. Remove the release bolt from it's holding brackets and insert it into the spring brake chamber. **DO NOT USE AN IMPACT WRENCH TO CAGE THE SPRING BRAKE.**
4. Turn the bolt until the spring brake is caged. This should be 2-1/4 to 2-1/2 inches of release bolt extension.
5. The brakes should now be totally released. Do not operate loaded trailer with brake manually released.
6. To reset the spring brake, turn the release bolt until the spring is released. Remove the release bolt and store it in its brackets.
7. Snap the dust cap back in place on the chamber.

b. Removal

1. Chock all tractor and trailer wheels and drain the air system.
2. Mark the brake chamber for proper air line port alignment for reassembly.
3. **CAGE THE POWER SPRING** following the steps outlined in **Section 4-8.2a.**
4. Disconnect the slack adjuster from the connecting rod by removing the clevis pin (**See Figure 4-16**).
5. Mark all air service lines for proper reinstallation and disconnect from the brake chamber.
6. Remove the brake chamber from the axle brackets.

c. Installation

1. **CAGE THE POWER SPRING** following the steps outlined in **Section 4-8.2a.**
2. Position the inlet ports by loosening the service chamber clamp bands and rotating center housing such that ports are located according to alignment marks made during disassembly, then retighten the clamp bands.
3. Position the breather hole in the downward facing position by loosening the clamp bands on the spring brake chamber and rotating the chamber housing until the breather hold faces downward. Retighten the clamp bands.
4. Remount the brake chamber on the axle brackets and reconnect the air service hoses and the slack adjuster connecting rod (**See Figure 4-16**).

IMPORTANT

BE SURE THE SERVICE LINE ON THE SERVICE CHAMBER PORT AND THE EMERGENCY LINE IS ON THE SPRING BRAKE PORT.

5. Check for leakage by charging the air system to a minimum of 90 psi and applying soap suds to the brake chamber and connections. If a growing bubble is detected or bubbles are blown away, locate the source of the leak and repair.
6. Insure that the clamp band is properly seated and tight **before** uncaging the power spring.

4-8.3 Emergency Relay Valve Maintenance

The Emergency Relay Valve should be disassembled, cleaned, and lubricated by a trained technician (**See Table 4-2**).

 **WARNING**

REPAIR OR REPLACEMENT OF THE RELAY/EMERGENCY VALVE IS A COMPLEX OPERATION AND SHOULD BE PERFORMED BY TRAINED SERVICE PERSONNEL. CONTACT A LANDOLL AUTHORIZED SERVICE CENTER OR THE LANDOLL FACTORY FOR SERVICING.

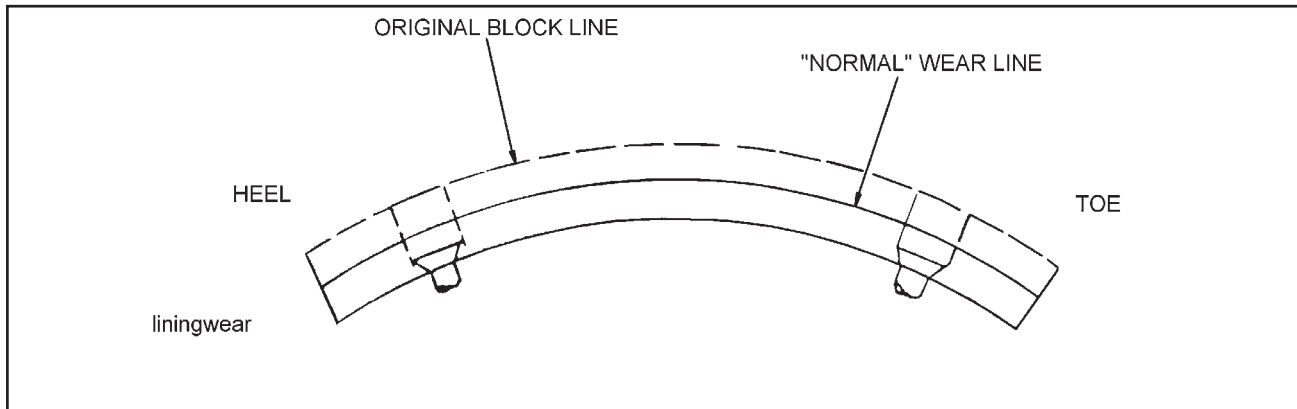


Figure 4-14 Brake Lining Wear

4-8.4 Brake Assembly Maintenance

The brake assemblies should be inspected and adjusted per interval described in **Table 4-2**. Examine the brake linings visually to locate the lining showing the greatest amount of wear. The wheel and drum should be removed and the linings replaced if the thinnest portion of the lining is 3/8 in. (9.5 mm) or less. Do not allow the linings to wear thin enough that the lining rivet contacts the drum. (See **Figure 4-14**). Lubricate brake assembly per **Figure 4-1, Lubrication Points** and **Table 4-2, Maintenance Schedule**.

! WARNING

DO NOT ALLOW GREASE TO CONTACT BRAKE LININGS AS THIS COULD RESULT IN REDUCED BRAKING PERFORMANCE.

a. Brake Adjustment

This semitrailer is equipped with automatic slack adjusters which compensate for brake lining wear and keep brakes adjusted. Brakes should not be adjusted manually except when relining brakes.

b. Disassembly for 12-1/4" X 7-1/2" Brakes (See **Figure 4-15**)

1. Release brakes and back off slack adjuster.
2. Remove slack adjuster lock ring and slack adjuster.
3. Remove drum assembly (See **Figure 4-15**).
4. Remove anchor pin retainers, washers, and bushings.
5. Remove anchor pins and brake shoes.
6. Remove brake return springs.
7. Remove camshaft lock ring, spacer washer and camshaft
8. Remove roller pin retainers.
9. Remove roller pins and rollers from shoes.

10. Remove camshaft bushings and seals from spider.
11. After removing the shoes, completely inspect all brake components, servicing as necessary.

c. Reassembly for 12-1/4" X 7-1/2" Brakes (See **Figure 4-15**)

1. Install new camshaft bushing and seals into the spider.

IMPORTANT

WHEN INSTALLING CAMSHAFT SEALS, THE SEAL ON THE SLACK ADJUSTER SIDE IS INSTALLED FACING INTO SPIDER. THIS ALLOWS GREASE TO PURGE OUTSIDE THE BRAKE ASSEMBLY WHEN GREASING THE CAMSHAFT BUSHING.

2. Install cam roller assemblies onto the brake shoes.
3. Install "D" shaped camshaft washer onto the camshaft.
4. Install the camshaft into the spider. Install spacer washer and lock ring retainer on camshaft before sliding the camshaft through the camshaft support bracket. Install the slack adjuster, washer and lock ring retainer.
5. Install shoes, anchor pin bushings, anchor pins, and spacers onto spider. Install anchor lock rings.

IMPORTANT

ALWAYS USE ALL NEW SPRINGS WHEN SERVICING BRAKES.

6. Install brake return spring.
7. Connect slack adjuster to brake chamber pushrod.
8. Adjust automatic slack adjuster as outlined in **Section 4-8.5b**.

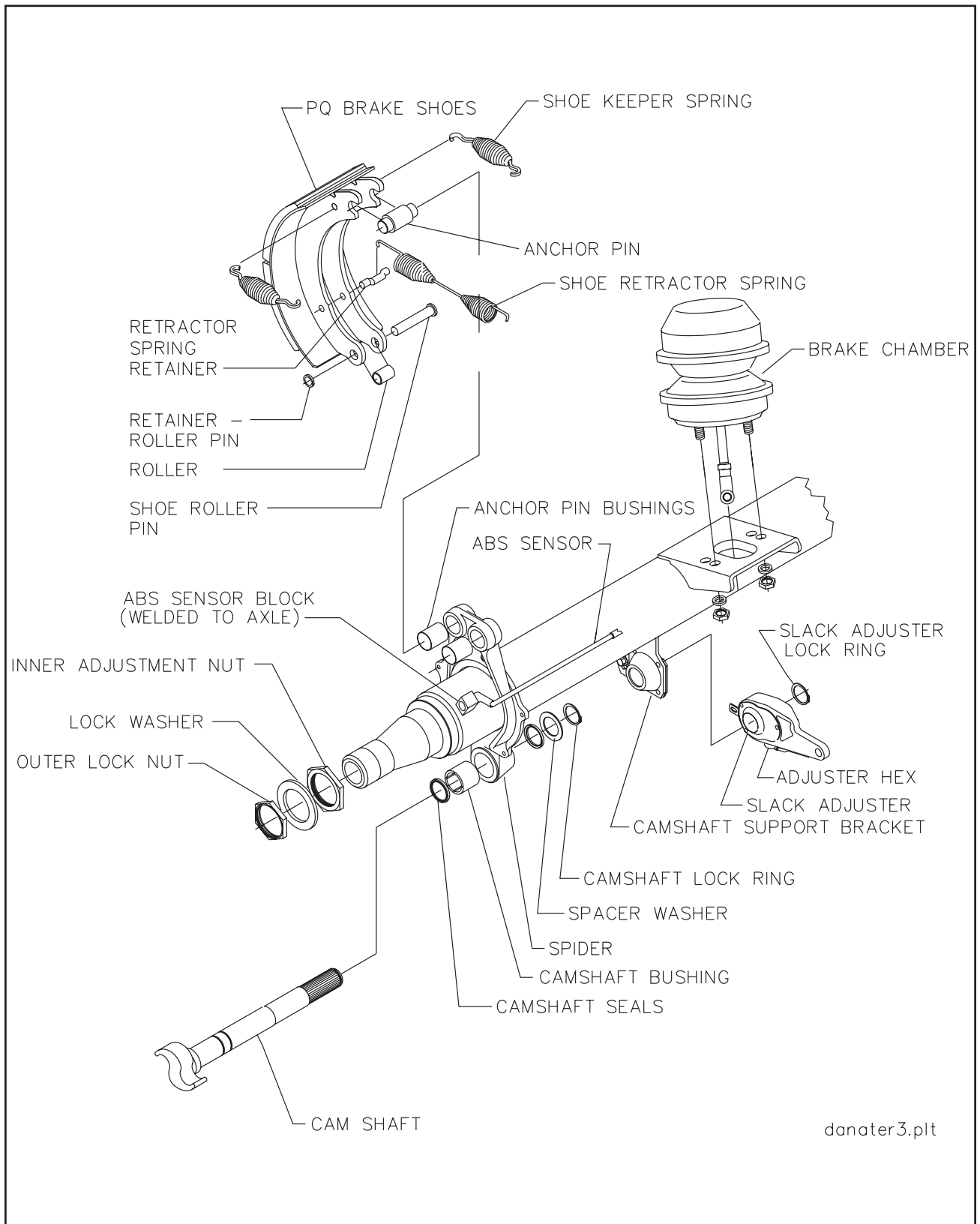


Figure 4-15 Axle and Brake Assembly

d. Disassembly for 16-1/2" x 7" Brakes (See Figure 4-15).

1. Release brakes and back off slack adjuster.
2. Remove slack adjuster lock ring and slack adjuster.
3. Remove drum assembly (**See Figure 4-17**).
4. Disengage the roller retainers from the rollers.
5. Press down on the bottom brake shoe and remove the lower cam roller. Lift the top shoe and take out the top cam roller.
6. Lift out the shoe retractor spring, which is now free of tension.
7. Swing the lower shoe back approximately 180° to relieve the tension on the shoe keeper springs. Remove the springs and slip the shoes off the anchor pins.
8. Remove camshaft lock ring, spacer washer(s) and camshaft.
9. After removing the shoes, completely inspect all brake components, servicing as necessary.

e. Reassembly for 16-1/2 x 7" Brakes (See Figure 4-15).

1. Install new anchor pin bushings, camshaft bushing and camshaft seals into the spider.

IMPORTANT

WHEN INSTALLING CAMSHAFT SEALS, THE SEAL ON THE SLACK ADJUSTER SIDE IS FACING INTO SPIDER. THIS ALLOWS GREASE TO PURGE OUTSIDE THE BRAKE ASSEMBLY WHEN GREASING THE CAMSHAFT BUSHING.

2. Install cam roller, retainer clip and retractor spring retainers onto the camshaft.
3. Install 1/8" thick camshaft washer onto the camshaft.
4. Install the camshaft into the spider. Install spacer washer and lock ring retainer on camshaft before sliding the camshaft through the camshaft support bracket. Install the slack adjuster, washer and lock ring retainer.
5. Install the brake keeper onto the shoes. Install shoes onto the spider by placing shoes in place on the anchor pins, then "wrap" the two shoes into place about the spider.
6. Install the shoe retractor spring onto the shoes.
7. Connect slack adjuster to brake chamber pushrod.
8. Adjust automatic slack adjuster as outlined in **Section 4-8.5c**.

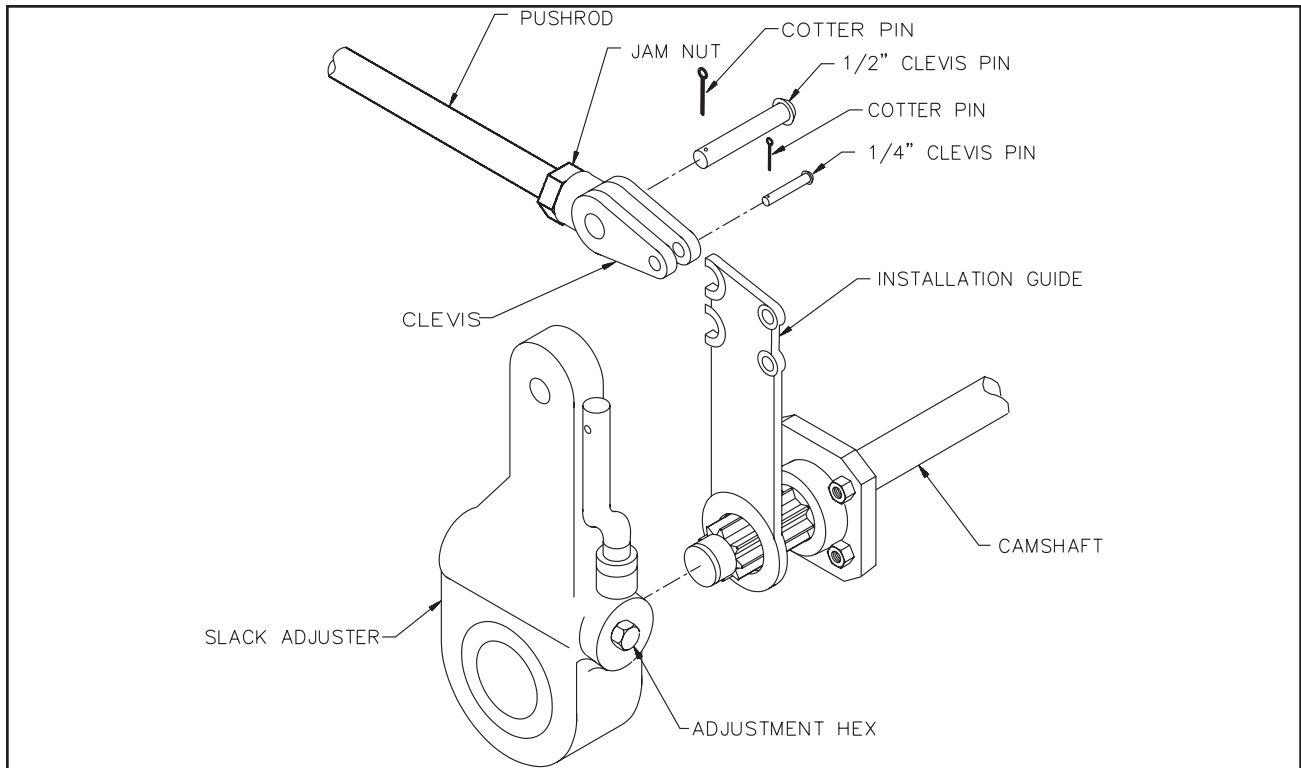


Figure 4-16 Slack Adjuster

4-8.5 Automatic Slack Adjuster

The semitrailer automatic slack adjusters provide the means for routine brake adjustment to compensate for lining wear. Inspect slack adjusters per interval described in **Table 4-2**.

⚠ WARNING

THE INSTALLATION GUIDE MUST BE USED WHEN INSTALLING OR REINSTALLING AUTOMATIC SLACK ADJUSTER. FAILURE TO DO SO MAY RESULT IN IMPROPERLY ADJUSTED BRAKES WHICH MAY CAUSE BRAKE DAMAGE OR LEAD TO BRAKE FAILURE.

a. Operational Check (See Figure 4-16)

1. Block wheels to prevent vehicle from rolling.
2. Check that the push rod is fully retracted, apply air to release spring brake.
3. Turn adjustment hex counterclockwise to create an excessive clearance condition. (A ratcheting sound will occur.)

4. Make a full service brake application. On release, allow sufficient time for brake to fully retract. During the brake release, observe rotation of the adjustment hex (attach a wrench on the hex to make this movement easier to see). This rotation indicates that an excessive clearance condition has been determined by the slack adjuster, and it is making an adjustment to compensate. On each subsequent brake release the amount of adjustment and push rod travel will be reduced until the desired clearance is achieved.
5. The push rod stroke should be 1 1/2" to 2" with an 100 to 105 PSI service brake application.
6. Measure the movement of the push rod from the completely released position to the applied position by marking the push rod where it exits the air chamber before and after application.
7. If the brakes have been running tight, the control arm location should be checked.

WARNING

IF THE ADJUSTER APPEARS NOT TO BE OPERATING, CHECK THE OTHER BRAKE COMPONENTS FOR PROPER FUNCTION AND ELIMINATE ANY BINDING. RECHECK THE AUTOMATIC SLACK ADJUSTER. IF THE ADJUSTER IS NOT FUNCTIONING, THE UNIT MUST BE REPLACED BECAUSE FAILURE OF PROPER ADJUSTMENT FUNCTION WILL RESULT IN LOSS OF BRAKES.

b. Replacing Slack Adjuster (See Figure 4-16)

1. Chock wheels to prevent vehicle from rolling. Release spring and service brake. Air chamber push rod must be **fully released**.
2. To maintain a fully released parking brake, a minimum of 105 psi reservoir pressure must be maintained. If air pressure is not available the spring brake must be manually caged.
3. Remove the existing slack adjuster and clevis - **DO NOT REMOVE EXISTING JAM NUT**.
4. Install the new clevis (with 1/2" pin) onto the push rod up to the jam nut -**DO NOT TIGHTEN JAM NUT**.
5. Fit the installation guide over the cam splines so the 1/2" pin slots face the air chamber.
6. Swing the guide into the clevis until the appropriate slot totally engages 1/2" pin.

7. Observe the guide pointer arrow:
If the guide pointer is above the clevis pointer, adjust clevis CCW for alignment.
If the guide pointer is below the clevis pointer, adjust clevis CW for alignment.
8. Reposition clevis until the guide pointer aligns with the clevis pointer.
9. Verify by engaging 1/4" pin through the clevis and guide.
10. Tighten jam nut to 50 ft.-lbs. torque min.
11. Remove the guide from cam shaft.
12. If the push rod threads extend through the clevis more than 1/16", remove clevis and cut rod to length.
13. If the push rod is not fully engaged in clevis body, install a new push rod - cut to length.
14. Install the slack adjuster on the cam shaft.
15. Rotate the manual adjuster shaft CW until the slack adjuster arm holes align with the clevis. Install 1/2" and 1/4" pins and cotter pins.

c. Adjusting Slack Adjuster

1. Rotate the manual adjuster clockwise until brake shoes contact drum.
2. Back off manual adjuster 1/2 turn. (counterclockwise)
3. Manually uncage the spring brake.
4. Build up vehicle air pressure.
5. Fully apply and release the brakes several times to check for adequate clearance to all adjacent components.
6. Measure the distance from air chamber to 1/2" pin. Apply brakes with 100-105 psi air pressure and remeasure distance to 1/2" pins.
7. The stroke (difference of these two measurements) must be less than 2 inches.

4-9 HUB AND DRUM MAINTENANCE

WARNING

FAILURE TO REPLACE FAULTY BRAKE DRUMS WILL RESULT IN AN UNRELIABLE BRAKING SYSTEM, AND MAY LEAD TO AN ACCIDENT.

4-9.1 Clean and inspect the brake drums whenever relining the brakes. To be suitable for further service, the brake drum should pass the following checks.

- a. The brake surface should be free of scoring, excessive heat checks and cracks.
- b. The brake surface diameter should be within the maximum diameter cast or stamped on the drum.
- c. The mounting holes and pilot must be round and true.
- d. The mounting surface must be clean and flat.

4-9.2 It may be necessary to turn or resurface the braking surface to remove small heat checks or other surface defects resulting from normal use.

- a. The maximum diameter cast into the back plate portion of the brake drum is the maximum diameter or discard diameter to which the brake drum may be turned or worn and still be usable. If any portion of the brake surface exceeds the maximum diameter it must be discarded. The maximum is .120 over the nominal new diameter unless stated otherwise on the casting. The maximum diameter cast into the brake drum supersedes all published information.
- b. When resurfacing a drum, allow at least 0.040 inches under the maximum diameter for additional wear.

WARNING

TURNING A BRAKE DRUM BEYOND 0.040 INCHES UNDER THE MAXIMUM DIAMETER WILL RESULT IN A WEAKER BRAKE DRUM AND MAY RESULT IN AN ACCIDENT.

4-9.3 Replacement of the brake drum is required if any of the following conditions exist:

- a. The brake drum is cracked.
- b. The brake surface is heat checked, grooved or worn beyond the rebore limit or the maximum diameter.
- c. The back plate is cracked.
- d. The bolt holes are elongated.
- e. The brake drum has been severely overheated.
- f. The brake drum is out-of-round.

CAUTION

REPLACE BRAKE DRUMS IN PAIRS TO ACHIEVE THE SAME BRAKING POWER ON BOTH WHEELS AND MAINTAIN AN EVEN BRAKING LOAD ON THE AXLE. FAILURE TO DO THIS MAY SIGNIFICANTLY REDUCE THE PERFORMANCE, SERVICE LIFE, AND/OR SAFETY OF YOUR VEHICLE.

4-9.4 For aluminum wheels, often a separator plate is used (**See Figure 4-21**). The separator plate is approximately .040" thick. It is placed between the drum and the wheel, or between two wheels in dual applications. The separator plate is recommended in severe applications where corrosion and/or wear have been identified. Aluminum wheels benefit from use of the separator plate. Care must be exercised in centering the separator plate prior to torquing, and stud length must be checked as each plate is approximately .040" thick.

4-9.5 Replace the hub and drum as follows
(See Figure 4-17):

- a. Remove the brake drum (See Figure 4-17). It may be necessary to release the slack adjuster.
- b. Remove hub cap and catch lubricant in a pan.
- c. Remove outer spindle nut, spindle locking washer, inner spindle nut, and bearing. Remove hub from axle.
- d. Using an appropriate driver, remove inner bearing cone, and seal.
- e. Using an appropriate driver, remove bearing cups from hub.
- f. Check that the hub cavity is clean. If the hub is to be reused, clean it thoroughly.
- g. Insert bearing cups into the hub.
- h. Clean the mounting surfaces with a good grade commercial cleaner and soft rag. Dry all component parts with a clean, absorbent cloth or paper. Lubricant will not adhere to surfaces wet with solvent.

- i. Place the drum over the hub and brake shoes being careful not to damage the threads on the studs (See Figure 4-17). Make sure the drum seats flat against the hub flange and mates properly with the hub pilot. There should be no interference between the brake drum pilot chamfer and the corner radius on the hub. If interference exists, the hub will not be able to function properly.
- j. Install inner bearing, cone, and seal.

IMPORTANT

DO NOT MIX NEW CUPS WITH OLD CONES OR NEW CONES WITH OLD CUPS.

- k. If studs are marked "R" or "L", right hand (R) hubs should be installed on the curbside of the vehicle, left hand (L) hubs should be installed on the driver side.

⚠ WARNING

FAILURE TO USE THE CORRECT STUD ON THE CORRECT SIDE MAY CAUSE LOOSENING OF THE HUB STUDS DURING OPERATION, RESULTING IN LOSS OF A WHEEL.

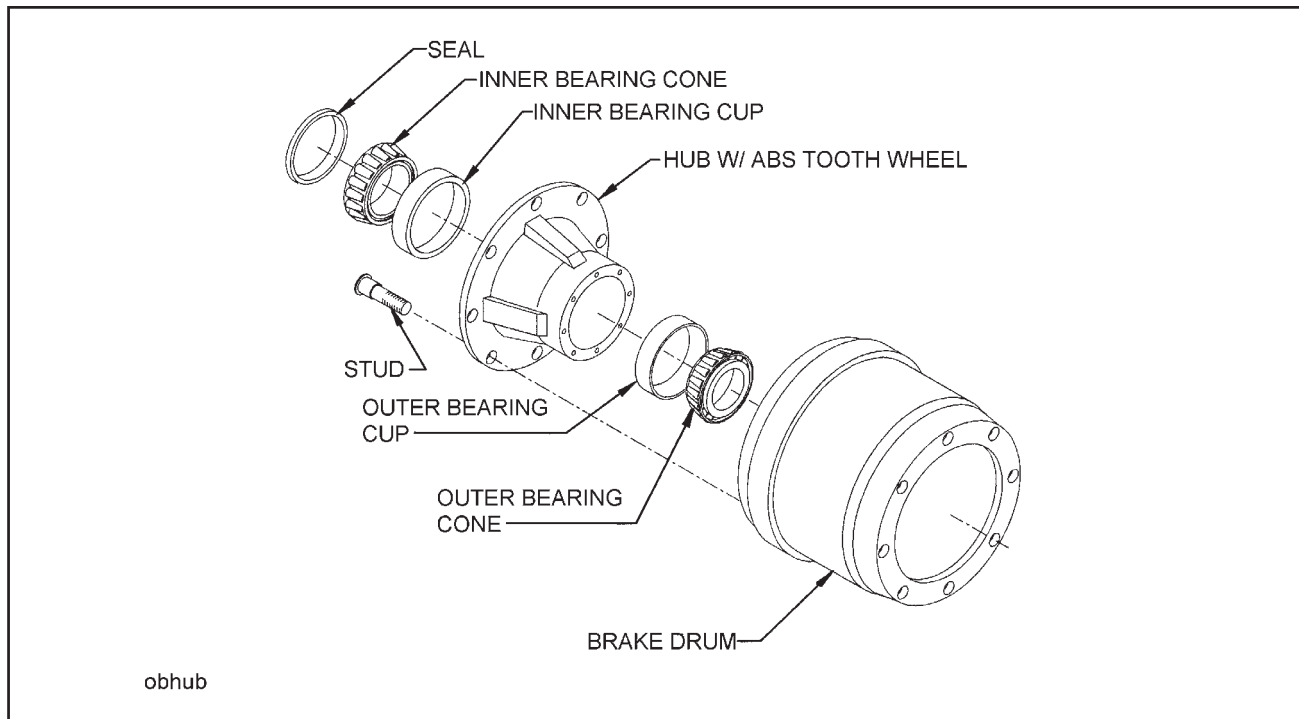


Figure 4-17 Outboard Mount Hub and Drum

- l. Place the hub or wheel over the axle spindle being careful to align the hub bore with the axle. Do not damage the seal. Support the hub assembly until the outer bearing cone and spindle nut are installed, to avoid damaging the seal.
- m. Install the outer bearing cone and inner spindle nut, tightening the nut until it is snug against the outer bearing cone. Remove the hub support allowing the hub to rest on the bearings.
- n. Install and adjust bearings (**See Section 4-10, Wheel Bearing Lubrication and Adjustment**).
- o. Install the hub cap with the proper gasket. Tighten the cap screws of the hub cap to 15 to 20 ft. lbs. of torque.
- p. Remove the filler plug and fill the hub cavity to the recommended level with a gear type oil.

4-10 WHEEL BEARING LUBRICATION AND ADJUSTMENT

With semitrailer sitting level, the oil level must be checked daily and maintained between the "ADD" and "FULL" lines on the hub cap window. Check for cracked windows, missing filler plugs, and oil leaks. Add hub oil through the "POP-IN" filler plug located in the center of the hub windows. Re-install the "POP-IN" plugs after filling each hub. Adjust wheel bearings and change oil every 50,000 miles or with each brake lining replacement, whichever occurs first.

4-10.1 Adjustment

- a. With a drain pan under the hub cap, remove the hub cap assembly allowing oil to drain.
- b. Lift the wheel off of the ground.
- c. Adjust slack adjuster to eliminate brake drag during tire/wheel rotation.
- d. Remove outer lock nut and inner nut and lock washer.
- e. Tighten the inner adjustment nut to a minimum of 75 ft. lbs., while rotating wheel to insure proper seating of the bearings and cups in the wheel hub.
- f. Loosen the inner adjustment nut so that the wheel will turn freely.
- g. Retighten the inner adjustment nut to 50 ft.-lbs. while rotating the wheel, to properly position the bearings for the final adjustment.

- h. Loosen the inner adjustment nut 1/3 turn.
- i. Install the spindle nut lock washer so that the dowel on the inner nut will align with a hole in the lock washer and the washer tang fits in the spindle keyway.
- j. Install the outer lock nut and tighten to 250-300 ft.-lbs. End-play of .001" to .010" must be present in the adjusted wheel bearing assembly.

DANGER

FAILURE TO TORQUE THE OUTER LOCK NUT PROPERLY COULD CAUSE THE WHEEL TO COME OFF DURING VEHICLE OPERATION RESULTING IN PROPERTY DAMAGE OR LOSS OF LIFE.

- k. Install the hub cap with a new gasket and fill with oil to the full mark. **See Table 4-1.**
- l. Adjust brakes according to **Section 4-8.4 a.**
- m. Check hub oil level after the wheel has set level in one position for a few minutes to allow the oil to work into the bearings.

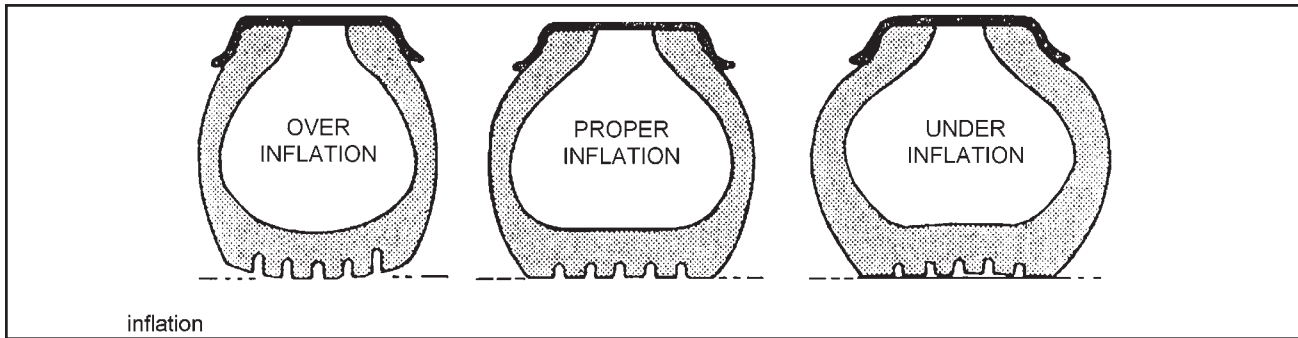


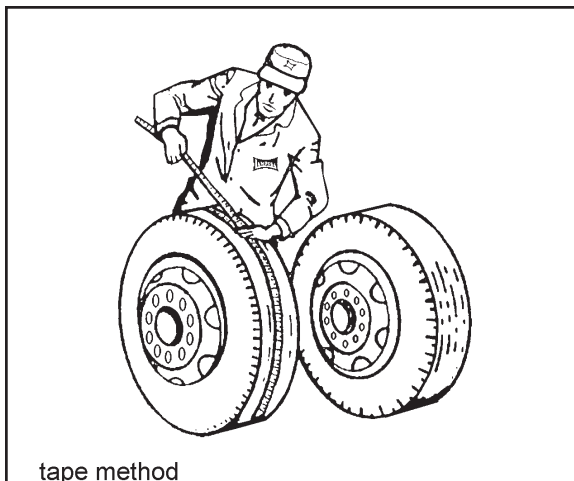
Figure 4-18 Tire Inflation Examples

4-11 TIRE MAINTENANCE

4-11.1 Tire Inflation. Tire inflation will cause tire to ground contact characteristics as shown in **Figure 4-18**. Tire inflation should be checked daily while the tire is cold, and during road stops. Checking the tire pressures while tires are hot will give a faulty increased pressure reading. Adjusting tire air pressure to the specified amount while tires are hot will produce improper tire to road contact and thus abnormal wear. Do not exceed cold inflation pressure listed on the semitrailer VIN plate located on the front of the trailer. Exceeding cold inflation pressure will result in damaged tire bodies, rims, and wheels. Replace all valve stem caps when pressure checking/adjusting has been completed. Remove any foreign objects from between duals.

4-11.2 Tire Matching. Both tires on the same spindle must be the same size in order to properly distribute the load and braking forces between them. The tire must be mounted on a rim and properly inflated before measuring. If there is an allowable difference in size the smaller tire should be mounted to the inside position of the duals.

- a. **Tape Measuring Method:** Measure around each tire on the tread surface. A maximum difference of $3/4$ " is allowed between the two mating tires of a dual (**See Figure 4-19**).
- b. **Straight Edge or String Method:** (This method cannot be used if tire and wheel assemblies are not mounted on the axle.) Jack trailer up until the wheels are off of the ground. Hold a straight edge against the tires of both ends of an axle. A gap at one tire indicates a smaller tire. A maximum of $1/8$ " gap is allowed (**See Figure 4-20**).



tape method

Figure 4-19 Measuring Tape Method

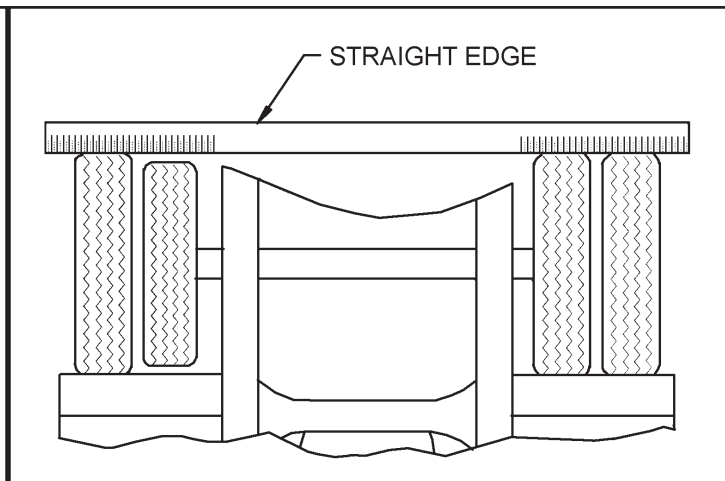


Figure 4-20 Straight Edge Method

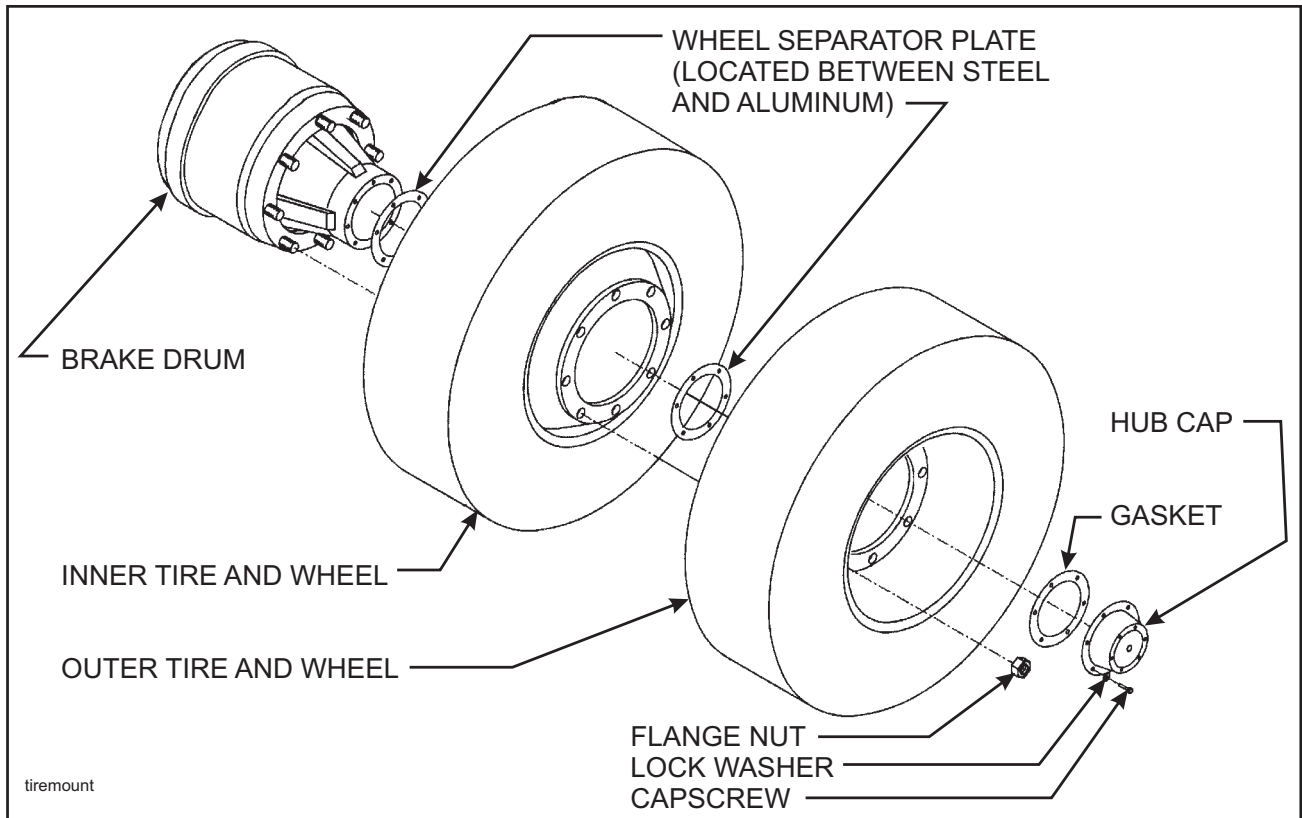


Figure 4-21 Mounting Tires and Wheels

4-11.3 Mounting Tire and Wheel

- a. Make sure that all mounting surfaces are clean and free of rust, dirt or paint. A wire brush may be used to clean these surfaces (See Figure 4-21).
- b. Position the inner disc wheel over the studs, being careful not to damage the stud threads. Make sure that the disc wheel is flat against the mounting surface and that there is clearance between the disc wheel taper and brake drum.
- c. Position the outer disc wheel being careful not to damage the threads. Be sure the valve stems for both the inner and outer tire are accessible.
- d. Install the flange nut and tighten to 50 foot-pounds using the sequence in Figure 4-22. Then tighten to full torque of 450 to 500 ft. lbs.
- e. Torque will drop after the first 50 to 100 miles of operation. Check the nuts for proper torque after this interval and retighten them.

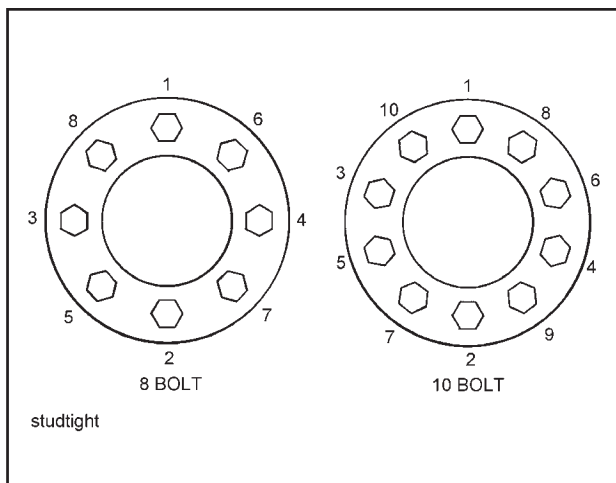


Figure 4-22 Stud Tightening Sequence

⚠ WARNING

USE A TORQUE WRENCH TO ASSURE PROPER TORQUE. INSUFFICIENT TORQUE CAN CAUSE STUD BREAKAGE AND DAMAGE WHEEL PILOTS. OVERTORQUE CAN OVERSTRESS THE STUDS AND STRIP THE THREADS.

4-12 WINCHES

Inspect the winch cable before and after **every** usage. If frayed wires, nicks, kinks, worn spots, breaks or any other sign of deterioration or damage is found, immediate replacement is mandatory before further usage. If the semitrailer is going to be out in the weather for any length of time, it is advisable to oil the winch cable to prevent untimely rusting and deterioration of the cable. See **Table 4-1** for lubrication specifications.

Inspect the winch mechanism thoroughly each week to insure safe, efficient operation.

WARNING

DO NOT HANDLE THE WINCH CABLE WHEN THE WINCH IS IN THE ENGAGE POSITION. HANDS OR CLOTHING COULD GET CAUGHT IN THE CABLE AND BE PULLED INTO THE SPOOL CAUSING SERIOUS PERSONAL INJURY.

4-13 DOCK LEVELERS

4-13.1 Service Schedule Procedures:

1. Weekly Service Procedures:
 - a. Operate the levelers three times to lube the seals.
 - b. Check system for leaks, replace defective parts.
 - c. Check mounting hardware for tightness.
2. Monthly Service Procedures:
 - a. Operate the levelers three times to lube the seals.
 - b. Check system for leaks, replace defective parts.
 - c. Check mounting hardware for tightness.
 - d. Fully extend cylinders. Clean exposed shafts and coat with light grease. Grease leg and counterbalance valve fittings.

4-13.2 Disassembly/Assembly Procedure

When disassembling and reassembling the leg, care should be taken to keep all parts clean and to prevent parts from being damaged. All seals should be coated lightly with grease before reassembling the leg.

4-13.3 Lock Valve (See Figure 4-23)

- a. Remove retaining plug.
- b. Remove o-ring plug opposite retaining plug on rectangular block.
- c. Using a drift small enough to fit through the port opened in the previous step, tap out the lock valve cartridges.
- d. Install new lock valve cartridges back to back (as illustrated). Grease o-rings.
- e. Install two new o-rings and two back-up washers on retaining plug.
- f. Thread retaining plug into body (tap gently to engage threads). Torque plug to 15 ft. lbs.
- g. Install new o-ring on plug, opposite retaining plug. Thread plug into body. Torque to 70 in. lbs.
- h. Replace spring and poppet. Replace the o-ring on plug and reinstall.
- i. Install new o-rings and back-up washers on top of piston rod.
- j. Thread lock valve on piston rod until firmly seated. If the ports need to be relocated, loosen the screw at the top of the well tube and turn lock valve clockwise until ports are at the desired location. Retighten the set screw.

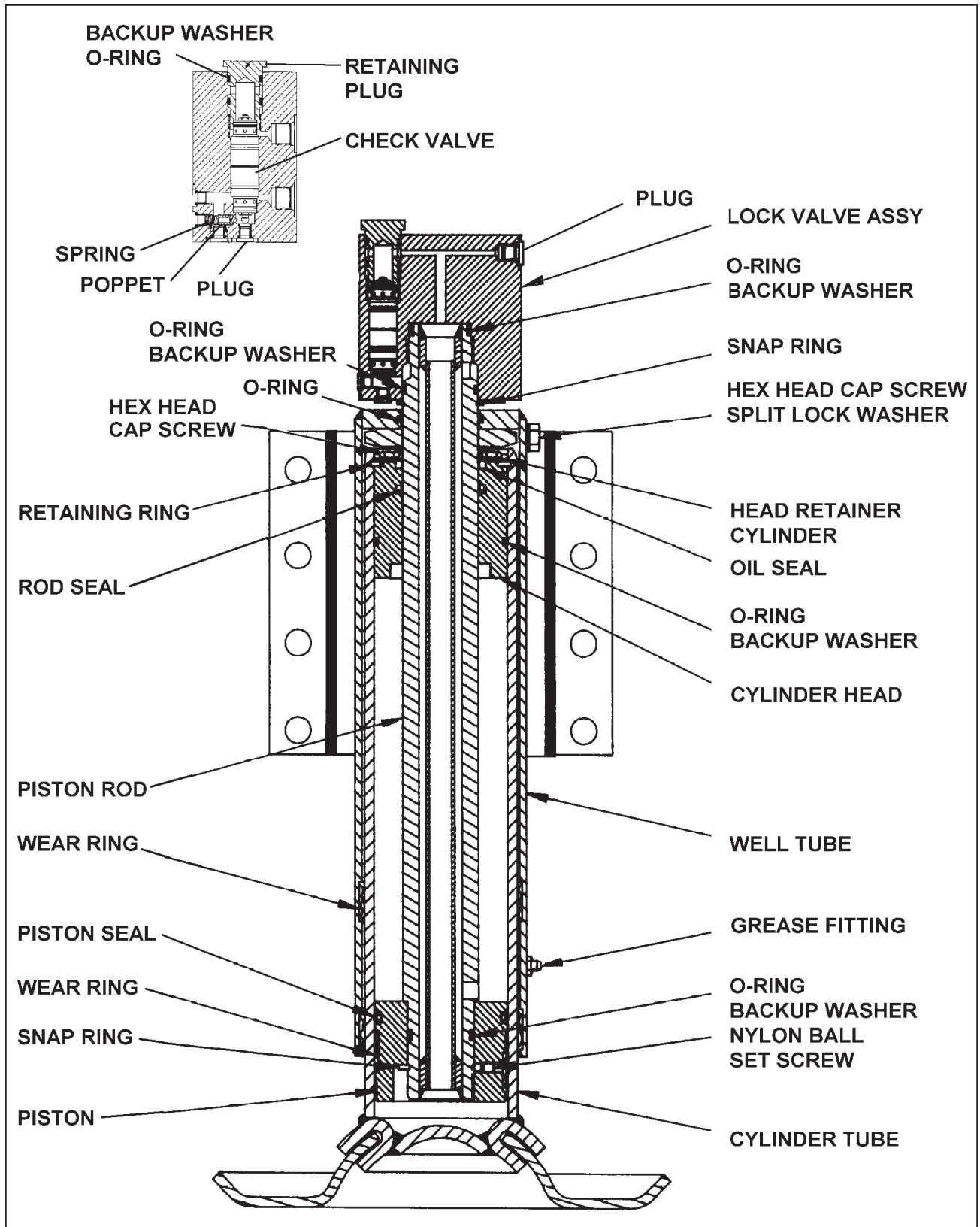


Figure 4-23 Dock Leveler Leg Assembly

4-13.4 Leg (See Figure 4-23)

- a. To remove leg from trailer, disconnect the hydraulic supply at the front of the trailer.
- b. Disconnect the hoses from the leg.
- c. To disassemble leg, first remove the check valve assembly. Remove o-rings and back-up washer. Using a snap ring pliers, remove snap ring. Loosen hex screw.
- d. Lift well tube off lower leg assembly. Lift piston rod to gain access to top of cylinder.

- e. Remove four hex screws. Lift cylinder head retainer. A wire or rubber band may be used to hold to sprocket screwdriver, carefully remove spiral retaining ring. Lift piston rod assembly out of cylinder tube. Using a large snap ring pliers, remove heavy duty snap ring. Pull off piston, cylinder head, retaining ring and cylinder head retainer.
- f. Before reassembling leg, remove all seals and wear rings. Clean all parts. Inspect all bearing surfaces and sealing surfaces for scratches, nicks or other defects, replace if necessary. Replace all wear rings and lightly lubricate all seals before reassembly. Carefully reassemble the leg reversing the order described above.
- g. Return leg to trailer and reconnect all hoses. Apply grease to grease fitting and cycle legs fully several times to bleed air from system. Check oil level.

4-14 CRANK LANDING GEAR

4-14.1 It may be necessary to periodically lubricate to maintain satisfactory performance.

- a. Lube both legs through grease fittings provided in the legs two times a year or as required.
- b. Lube two-speed gears through the grease fitting in the gearbox two times a year or as required.

4-14.2 Gearbox Dismantling (See Figure 4-24)

- a. Remove all rust from shafts and lubricate for easier removal of gearbox cover.
- b. Remove gearbox cover by removing bolts and nuts.
- c. To remove shaft, shaft must be free of rust. Lubricate and tap out from mounting bracket side. Remove shifter gear by removing spiral pin and pin. Also remove shifter spring after shaft has been removed.
- d. Remove shaft and step gear.
- e. Remove all worn, bent, or broken parts.

4-14.3 Leg Dismantling

- a. Disconnect cross shaft by removing nuts and bolts and remove the landing gear from the trailer.
- b. Remove all rust from projecting end of shaft and lubricate for easy removal.
- c. Remove screws, leg cover, and gasket.
- d. Tap out groove pin from bevel pinion gear.
- e. Remove shaft from landing gear making sure not to lose shims or location of shims.
- f. Next, remove nut from top of elevating screw and inner leg assembly.
- g. Remove bevel gear from screw in inner leg assembly.
- h. Tap end of screw with wood block or brass hammer until screw and inner leg assembly drop out. (Be careful not to damage screw threads.)
- i. Lift out polyethylene bushing.
- j. Remove thrust bearing, thrust washer, and woodruff key from screw in assembly.
- k. Replace all worn, bent, or broken parts.

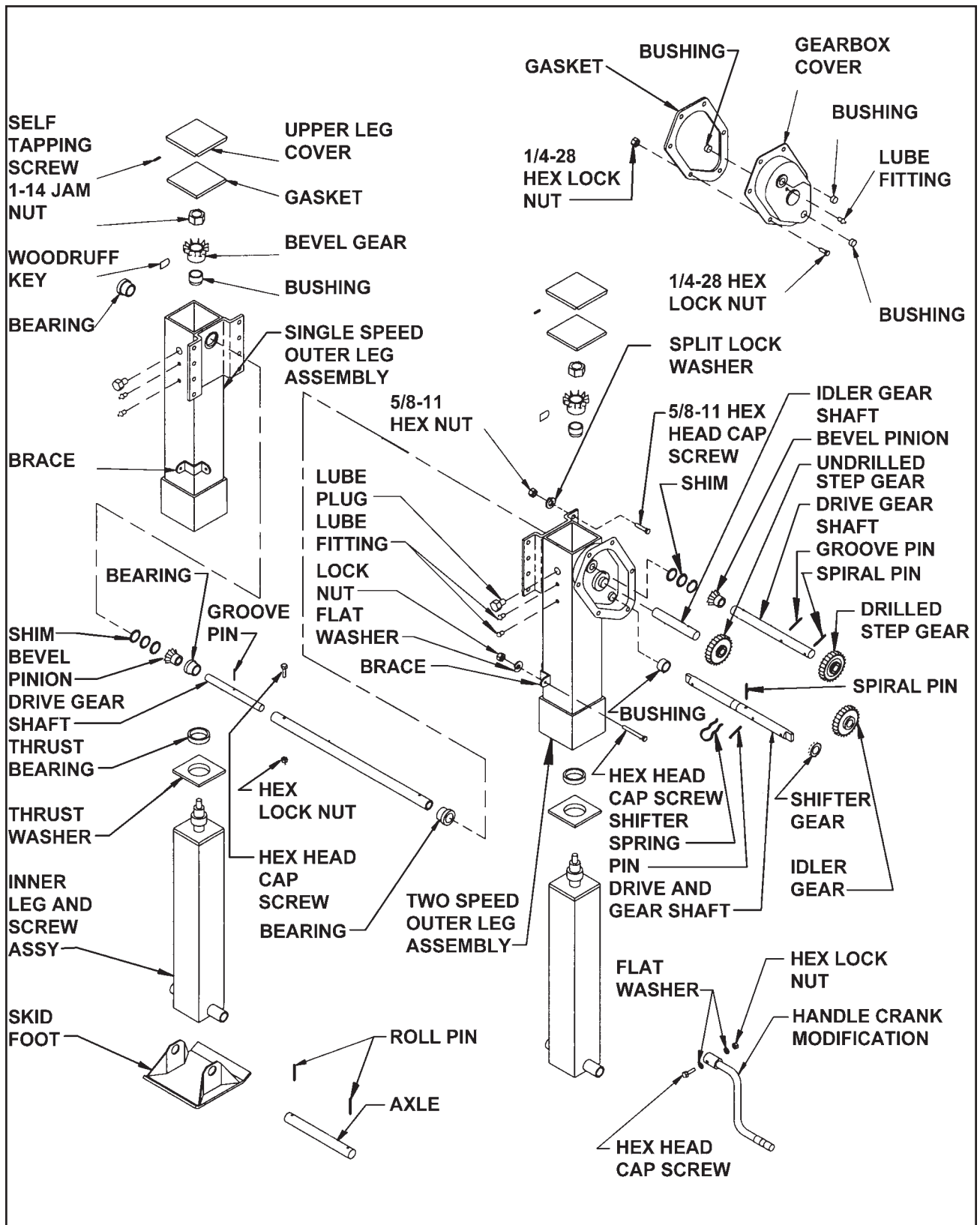


Figure 4-24 Crank Landing Gear Assembly

4-14.4 Leg Assembly

- a. Place thrust washer on top of elevating screw. Thrust bearing follows and must be assembled with cup of bearing up.
- b. Place outer leg over screw and nut portion of inner leg assembly. Press down until threaded part of elevating screw is clearly visible through hole in top of the outer leg.
- c. Fit polyethylene bushing into place around screw in leg assembly and push all the way down into bearing block.
- d. Install woodruff key in slot of elevating screw and install bevel gear in place.
- e. Secure bevel gear. Use Loc-tite on threads of screw and install jam lock nut. Make sure bevel gear turns freely.
- f. Place bevel pinion gear on top of bevel gear on the opposite side from mounting bracket of single speed out leg, or mounting bracket side of 2-speed outer leg.
- g. Install shaft through outer. Install shims removed previously and slide shaft through shims and bevel pinion gear.
- h. Align holes in bevel pinion gear with hole in shaft, insert groove pin so that shafts turn freely and the two gears are engaged properly.

- i. Check for proper shimming. Proper shimming achieved when the shafts turn freely and there is no more than 1/16" gap between the shims and the outer leg when shaft is pushed toward the bevel gear.
- j. Make sure this assembly is well lubricated with a permanent type lubricant (1/2 pound, minimum).
- k. Replace gasket, metal cover, and self tapping screws.
- l. Install landing gear back on trailer. Adjust both legs to the same length and install cross shaft and bolts and nuts. When installing cross shaft make sure there is enough end play and gears crank freely.

4-14.5 Gearbox Assembly

- a. To replace shifter gear, install pin in shaft. Then slide shifter on shaft so that recess in shifter gear fits over pin. Install spiral pin.
- b. Insert shaft with gear in lower hole of gearbox and install shifter spring in place.
- c. Slide gear on shaft and insert shaft in middle hole of gear box.
- d. Install step gear on shaft and secure with spiral pins.
- e. Place idler gear in shaft with shoulder of gear to inside.
- f. Gears must be coated with permanent type grease in order to obtain successful operation.
- g. Replace gasket and gearbox cover and assemble with bolts and nuts.

Troubleshooting should be performed by a trained and competent technician. Landoll Company, LLC. is not responsible for equipment that is improperly maintained. Contact an authorized Landoll Service center or the Landoll factory for servicing.

5-1 ELECTRICAL

Most electrical system problems show up as a burned out light or fuse, or inoperative electrical component. Wiring, grounds, or components may be at fault. Locate the symptom in this section that best identifies your electrical problem. Check out each possible problem under that symptom. If the problem cannot be located, see an automotive electrical specialist. For maintenance procedures, see **Section 4-5**.

SYMPTOM	PROBLEM: REMEDY
NO LIGHTS	Fuse blown: replace fuse. Connection at plug-in: tighten connection. Broken or corroded wires: replace wire. Ground wire loose: clean and tighten ground.
LIGHTS FLICKERING	Wires shorted or loose: locate, insulate, replace, or tighten. Grounding through fifth wheel: locate broken ground wire (tractor or semitrailer).
LIGHTS DIM	Voltage difference between semitrailer & tractor: match bulbs with tractor voltage. Grounding through fifth wheel: locate broken ground wire (tractor or semitrailer).
LIGHTS BRIGHT & BURN OUT	Voltage difference between semitrailer & tractor: match bulbs with tractor voltage.
FUSE BLOW-OUT OR CIRCUIT BREAKER TRIPPING	Vibration: locate source of vibration and repair. Short circuit: replace fuse and try all accessories. If fuse blows right away, locate short and repair.
LAMP BULB BURN OUT	Vibration: locate source of vibration and repair. Short circuit: replace fuse and try all accessories. If fuse blows right away, locate short and repair. Loose connection: check lamp sockets and ground connections. Intermittent short: locate short and repair. Improper voltage: check voltage regulator output.

5-2 TIRES - WHEELS - SUSPENSION

Most tire, wheel, and suspension related problems are due to excessive loads, extreme conditions, and improper maintenance. Tire, wheel, and suspension problems can be easily detected and solved by checking the following guide. For maintenance procedures, see **Sections 4-4, 4-6, 4-7, 4-9, 4-10, 4-11.**

SYMPTOM	PROBLEM: REMEDY
VIBRATIONS WHILE DRIVING	Improper tire inflation: inflate to proper pressure. Tires cupped or have flat spots: replace tires. Wheels bent or loose: replace or tighten. Tires incorrectly mounted: remount. Mud in wheels: clean wheels. Tire(s) out of balance: balance tires. Brakes dragging: locate cause and repair. Object(s) stuck between duals: remove object(s).
RAPID TIRE WEAR/DETERIORATION:	
CENTER TREAD WEAR	Over inflation: deflate to correct inflation.
SHOULDER TREAD WEAR - BOTH SHOULDERS	Under inflation: increase inflation to correct PSI. Check axle alignment. Overload: loads are above rated tire capacity. DO NOT load above rated tire capacity.
SHOULDER TREAD WEAR - ONE SHOULDER	Axle damage: straighten or replace axle. Axles not parallel: check axle alignment.
OVERALL TREAD WEAR	Overloading: check tire load rating. High speeds: adjust speed according to road and load conditions. Incorrect dual matching: properly match dual tires. Front and rear axle suspension air bags not inflated: Adjust front and rear axle ride height control valves to proper settings (See Section 4-6.3)
TIRE FLAT SPOTS	Quick stops: adjust braking practices. Grabbing brakes: adjust brakes properly. Worn or loose wheel bearings: adjust or replace as needed. Out of balance wheels and tire: balance wheels and tires. Check ABS system function. Front and rear axle suspension air bags not inflated: Adjust front and rear axle ride height control valves to proper settings (See Section 4-6.3)
UNEVEN WEAR	Suspension bushings worn: replace bushings. Worn or loose wheel bearings: adjust or replace as needed. Out of balance wheels and tires: balance wheels and tires.

TIRES - WHEELS - SUSPENSION (CONTINUED)

SYMPTOMS	PROBLEM: REMEDY
RIM FAILURE*:	
CRACKING	Overinflated tires: deflate tire to proper PSI. High speeds: adjust speed according to road and load conditions. High speed cornering: adjust cornering practices. Over loading: check rim load rating.
*IN ALL INSTANCES OF RIM FAILURE, REPLACE THE RIM IMMEDIATELY!	
BENDING OR WARPING	Curb-hopping or potholes: adjust turning practices and adjust speed accordingly with road conditions. Improper tightening sequence: follow proper tightening sequence. (See Figure 4-22)
BROKEN STUDS*	Over tightening: use correct torque when mounting.
*REPLACE BROKEN STUDS BEFORE USING THE SEMITRAILER!	
SEMITRAILER TRACKING PROBLEMS:	
TRACKS TO ONE SIDE	Axle alignment: re-align axle.
TRACKS TO EITHER SIDE	Broken or bent springs or equalizers: replace defective parts. Axles not parallel: realign axles
AIR RIDE HEIGHT PROBLEMS:	
TOO HIGH	Axle to control valve linkage: readjust linkage. Height Control Valve internal leak: repair or replace valve.
TOO LOW	Axle to control valve linkage: readjust linkage. Height Control Valve filter plugged: clean or replace valve. Pressure Protection Valve filter plugged: clean or replace valve. System air pressure low (65 PSI minimum required): troubleshoot air supply.
UNEVEN FROM SIDE TO SIDE	Linkage adjustment: readjust linkage. Exhaust port plugged: clean or replace valve(s). Height control valve internal leak: repair or replace valve. Supply line to one height control valve pinched, restricted, or plugged: repair or replace line.

5-3 BRAKES

For maintenance procedures, see **Section 4-8**.

SYMPTOM	PROBLEM: REMEDY
NO BRAKES OR BRAKES ARE INTERMITTENT	Brake air system improperly connected: reconnect hand valves properly. Relay/Emergency valve plugged: clean valve. Defective tractor protection valve: repair or replace. Restricted tubing or hose line: locate and eliminate restriction. Broken line: locate break and repair. Tractor air system failure: troubleshoot tractor air system and repair. Check ABS system function.
SINGLE BRAKE DRAGGING OR LOCKED	Broken internal brake component: locate and replace broken part. Flat spot on cam roller or cam shaft: replace and lubricate. Improper adjustment: adjust slack adjusters. Spider bushing or cam bracket bushing binding: lubricate or replace bushing. Improper lubrication: lubricate per Figure 4-1 . Worn brake shoe bushing: replace bushing. Brake drum distortion: replace drum. Broken brake chamber spring: replace spring. Brake chamber pushrod binding: re-align brake chamber bracket. Air brake line loose or broken: tighten or repair.
UNEVEN BRAKES	See "SINGLE BRAKE DRAGGING OR LOCKED" Restriction in hose: locate restriction and remove. Worn brake linings: reline brakes. Grease on linings: reline brakes. Broken slack adjuster: replace slack adjuster. Leaking brake chamber diaphragm: replace diaphragm.
BRAKES APPLY TOO SLOWLY	Brakes need adjusting or lubrication: adjust or lubricate as needed. Low air pressure in brake system (below 105 PSI): check tractor air system. Restricted tubing or hose: locate restriction and remove. Defective relay valve: clean or replace. Call Factory or see qualified Trailer/Brake Technician
BRAKES RELEASE TOO SLOWLY	Brakes need adjusting or lubrication: adjust or lubricate as needed. Brake rigging binding: align brakes or replace bent parts. Exhaust port of relay valve restricted or plugged: clean valve. Tractor pressure too low: Adjust to provide 105 psi min.

BRAKES (CONTINUED)

SYMPTOM	PROBLEM: REMEDY
ALL BRAKES DO NOT RELEASE	Air system improperly connected to tractor: tighten or adjust connections. Brake valve on tractor is applied: release brake. Relay emergency valve in emergency position: check line pressure and check valve. Restricted tubing or line: locate restriction and remove. Defective tractor protection valve: troubleshoot tractor air system. Parking brakes locked: troubleshoot air system. Moisture in air system: Check air system Tractor pressure too low: Adjust to provide 105 psi min.
INSUFFICIENT BRAKES	Brakes need adjusting: adjust brakes. Brakes need lubricating: lubricate brakes. Brakes need relining: reline brakes. Low air pressure: troubleshoot air system. Defective relay emergency valve: repair or replace. Brakes overheated: stop and allow brakes to cool, locate cause of overheating.
BRAKES GRABBING	Grease on brake linings: reline brakes. Brake rigging binding: align brakes or replace bent parts. Defective brake valve on tractor: repair or replace valve. Defective relay emergency valve: repair or replace valve. Relay emergency valve leaking: repair or replace valve. Leaking tubing or hose: replace defective part.
EXCESSIVE LEAKAGE WITH BRAKES RELEASED	Relay emergency valve leaking: repair or replace valve. Leaking brake chamber diaphragm: replace diaphragm. Call Factory or see qualified Trailer/Brake Technician Leaking tubing or hose: replace defective part.
EXCESSIVE LEAKAGE WITH BRAKES APPLIED	Relay emergency valve leaking: repair or replace valve. Leaking brake chamber diaphragm: replace diaphragm. Call Factory or see qualified Trailer/Brake Technician Leaking tubing or hose: replace defective part.
EXCESSIVE LEAKAGE WITH EMERGENCY SYSTEM ONLY APPLIED - NO LEAKAGE WITH NORMAL BRAKING	Defective relay emergency valve: repair or replace valve.
EXCESSIVE WATER PRESENT IN BRAKE SYSTEM	Reservoir not drained often enough: drain reservoir daily.
EXCESSIVE OIL PRESENT IN BRAKE SYSTEM	Compressor on tractor passing excessive oil: repair compressor.
BRAKE WILL NOT APPLY PROPERLY	Flat spot on cam roller or camshaft: replace and lubricate.

BRAKES (CONTINUED)

SYMPTOM	PROBLEM: REMEDY
BRAKES WILL NOT APPLY WHEN EMERGENCY LINE IS DISCONNECTED	Initial air pressure too low: allow air system to build up to minimum 90 PSI and stabilize. Defective relay valve: repair or replace valve. Air line leak: locate leak and repair. Brake chamber leak: locate leak and repair or replace.
ABS WARNING LIGHT STAYS ON	Refer to Rockwell WABCO ABS for system function and use of blink code diagnostics.

5-4 BRAKE DRUMS

For maintenance procedures, see **Sections 4-6 - 4-10.**

SYMPTOM	PROBLEM: REMEDY
EXCESSIVE LOSS OF BRAKES OR FADING	Overheated brake drums: check for defective or misadjusted brake linings, distorted or over-machined drums. Also check for operating conditions or loads that create severe or excessive brake applications.
BRAKES PULL TO EITHER SIDE	Drums of different diameters: replace with drums of same diameter. Foreign matter in drums: clean drums out. Damaged air lines: check for damaged air lines to respective side of semitrailer. Brakes not adjusted correctly: readjust brakes and check slack adjuster operation.
ROUGH OR NOISY BRAKING ACTION	Defective drums: pull drums and inspect for any of the following; Heat spotted drums, grease spotting, blue drums, scored drums, excessive wear at rivet holes or edges, polished drums, out of round drums, unbalanced drums, worn/damaged brake components, foreign matter in drums. Correct situation or replace defective part(s).
VIBRATION IN RIDE	Defective drums or out-of-round: replace drums. Out-of-balance drums: balance drums.

5-5 HYDRAULIC SYSTEM

Most hydraulic system failures follow the same pattern: a gradual or sudden loss of pressure or flow with a resulting loss of cylinder or motor power. Any one of the system's components may be at fault. By following step-by-step procedures, the trouble can be located in a short time. For maintenance procedures, see **Section 4-4**.

SYMPTOM	PROBLEM: REMEDY
SEMITRAILER LOCKED IN TILTED POSITION	Velocity fuse activated: raise the trailer slightly (to reset the velocity fuse), then lower the trailer slowly.
SYSTEM INOPERATIVE	Not enough oil in system: fill, check for leaks. Wrong oil in system: change oil, see specifications. Filter dirty or clogged: drain oil and replace filter. Hydraulic lines dirty or collapsed: clean or replace as necessary. Air leaks in pump suction line: repair or replace as necessary. Worn or dirty pump: clean, repair or replace. Check for contaminated oil. Drain and flush. Badly worn components: examine for internal leakage. Replace faulty components. Check for cause of wear. Leakage: check all components, and relief valve for proper settings. Excessive load: check unit specifications for load limits. Slipping or broken pump drive: repair or replace couplings. Check for alignment.
SYSTEM OPERATES ERRATICALLY	Air in the system: check suction side of system for leaks. Repair leaks. Cold oil: allow ample warm-up time. Use proper weight oil for operating temperature. Dirty or damaged components: clean or repair as needed. Restriction in filters or lines: clean and/or replace filter or lines. Not enough oil in system: fill and check for leaks.
SYSTEM OPERATES SLOWLY	Oil viscosity too high, or "cold oil": Allow oil to warm up before operating. Low pump drive speed: increase engine speed (check pump owners manual for specifications). Low oil level: check reservoir and add oil as necessary. Air in system: check suction side for leaks. Repair leaks. Badly worn pump, valves, cylinders, etc.: repair or replace faulty component(s) as necessary. Restrictions in lines or filter: clean and/or replace filter or lines. Improper adjustments: check orifices, relief valves, etc. Adjust as necessary. Oil leaks: tighten fittings. Replace seals, gaskets and damaged lines.

HYDRAULIC SYSTEM (CONTINUED)

SYMPTOM	PROBLEM: REMEDY
SYSTEM OPERATES TOO FAST	Wrong size or incorrectly adjusted restrictor: replace or adjust as necessary. Engine running too fast: reduce engine speed.
OVER HEATING OF OIL IN SYSTEM	Oil passing through relief valve for excessive time: return control valve to neutral when not in use. Incorrect, low, dirty oil: use recommended oil. Fill reservoir with clean oil. Replace filter. Engine running too fast: reduce engine speed. Excessive component internal leakage: repair or replace component as necessary. Restriction in filters or lines: clean and/or replace filter or lines. Insufficient heat radiation: clean dirt and mud from reservoir and components. Malfunctioning component: repair or replace. Excess oil going to dock level circuit: adjust flow divider for 2.5 to 3.1 GPM flow.
FOAMING OF OIL	Incorrect, low, or dirty oil: replace, clean or add oil as needed. Water in oil: replace oil Air leaks: check suction line and component seals for suction leaks. Replace defective parts.
NOISY PUMP	Low, incorrect, foamy oil: replace, clean, or add oil as needed. Suction line plugged: clean out obstruction or replace line. Flush system, replace filter. Pump damaged: repair or place.
LEAKY PUMP	Damaged or worn shaft seal: Replace seal and/or shaft and check for misalignment. Loose or broken parts: Tighten or replace.
CYLINDERS MOVE WITH CONTROL VALVE IN NEUTRAL POSITION	Leaking cylinder seals or fittings: Replace worn seals or fittings. Control valve not centering when released: Check linkage for binding and repair. Valve damaged: Repair or replace.
CONTROL VALVE LEAKS	Seals damaged or worn: Replace.
CYLINDER LEAKS	Seals worn or damaged: Replace. Rod damaged: Replace. Barrel damaged: Replace.
CYLINDERS DO NOT FUNCTION, OR CREEP WITH PTO DISENGAGED	Leaking fittings or cylinder seals: Tighten loose fittings. Replace worn seals or fittings. Piloted check valve or O-ring leak: Replace defective component.

5-6 HYDRAULIC POWER SUPPLY ENGINE PACKAGE

To troubleshoot the engine in the hydraulic engine package, please refer to the owners manual that was provided with the engine package.

5-7 REMOTE CONTROL

SYMPTOM	PROBLEM: REMEDY
DOES NOT FUNCTION	No power: Check center pin of 7-way connector with voltmeter (+12VDC). Correct wiring per Tractor Repair manual. Check remote plugged in: Self-explanatory. No current to solenoid: Check wire harness connection to tractor. No air supply to solenoid: Check hydraulics connections.

5-8 DOCK LEVELER HYDRAULICS

For maintenance procedures, see **Section 4-13**.

SYMPTOM	PROBLEM: REMEDY
FAILS TO LIFT SEMITRAILER	Insufficient hydraulic supply pressure: adjust relief valve for 2400-2500 psi. Worn hydraulic pump: service or replace. Insufficient volume to dock level circuit: adjust flow divider to provide 2.5 to 3.1 GPM. Too heavy a load: reduce load on cylinders.
LOWERS UNEVENLY OR ERRATICALLY	Insufficient volume to dock level circuit: clean system and new oil and filter. Dirty oil in check valves: use same procedure as above.

NOTES:
