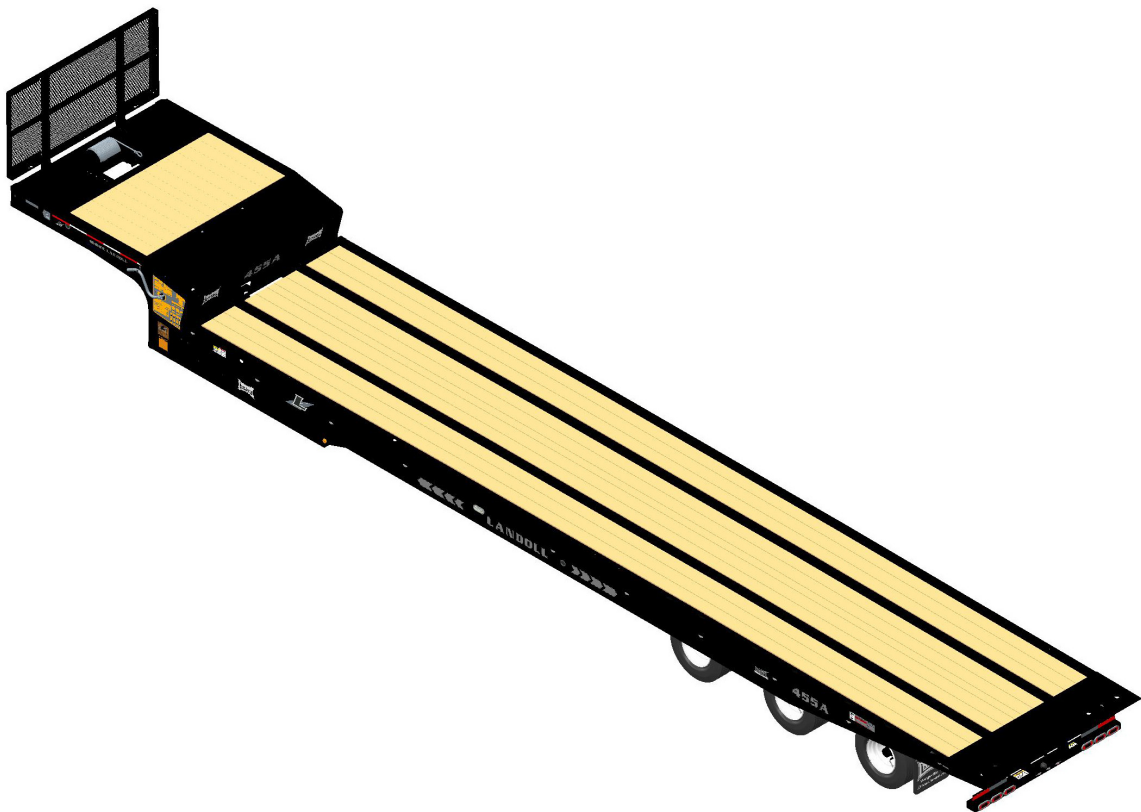




# Model 440A/455A Series Semitrailer Operator's Manual



**LANDOLL COMPANY, LLC.**

1900 North Street  
Marysville, Kansas 66508  
(785) 562-5381

800-428-5655 ~ [WWW.LANDOLL.COM](http://WWW.LANDOLL.COM)



# Table of Contents

---

## 1 Introduction and Safety Information

Introduction	1-1
Understanding Safety Statements	1-2

## 2 Standard Specifications

<b>MODEL 440A/455A</b>	<b>2-1</b>
General Specifications	2-1
Capacity	2-1
Undercarriage Travel	2-1
Ground Load Angle	2-1
Dock Leveler Capacity	2-1
Hydraulic Hookup	2-1
<b>Specific Bolt Torques</b>	<b>2-2</b>
Cam Follower Assembly	2-2
Suspension Assembly, Air Ride	2-2
Wheel Fasteners	2-2
Winch Fasteners (Option)	2-2
<b>General Torque Specifications (rev. 4/97)</b>	<b>2-3</b>
<b>Hydraulic Fitting Torque Specifications</b>	<b>2-4</b>

## 3 Operating Instructions

General	3-1
Landing Gear	3-1
Parking Brake	3-1
Air Brake System	3-1
Anti-Lock Brake System (ABS)	3-1
Electrical	3-3
Hydraulic	3-3
Pre-Coupling of Semitrailer and Tractor	3-3
Coupling of the Tractor to the Semitrailer	3-4
Connecting Tractor Services to the Semitrailer	3-4
Tractor and Semitrailer Check-Out	3-5
Towing the Semitrailer	3-7
Parking the Trailer	3-7
Uncoupling Towing Vehicle from Semitrailer	3-8
Trailer Tilt Lever	3-8
Axle Control Lever	3-8
Swingout Outrigger Platform Extension Set-Up (Option)	3-9
Pull Out Extensions	3-10
Loading Procedure	3-11
Securing the Load	3-13

Unloading Procedure .....	3-14
Panel Light (Standard) .....	3-15
Work Light (Option) .....	3-15
<b>Winch Controls .....</b>	<b>3-15</b>
Free Spool Clutch Operation (Warn Winch) .....	3-16
Free Spool Clutch Operation (DP Winch) .....	3-16
Free Spool Clutch Operation (Braden) .....	3-17
Dock Leveler Control Operation (Option) .....	3-18
Hydraulic Power Supply Engine Operation (Option) .....	3-20
Air Ride Operation .....	3-21
Bulkhead (Option) .....	3-22
Remote Control (Option) .....	3-23
Rear Impact Guard System .....	3-24
Anti-Lock Brake System (ABS) .....	3-24
Cold Weather Operation .....	3-26
Hot Weather Operation .....	3-26

## 4 Maintenance and Lubrication

<b>General .....</b>	<b>4-1</b>
Cold Weather Tips .....	4-1
Hot Weather Tips .....	4-2
Maintenance Schedule .....	4-2
Cleaning .....	4-2
Inspection .....	4-3
Fluid Leak Classification .....	4-3
Inspection Overview .....	4-3
Lubrication .....	4-3
Repair Parts .....	4-3
Structural Defects .....	4-4
Wood Deck Care .....	4-4
Tools and Equipment .....	4-4
Torque Values .....	4-4
<b>Lubrication &amp; Maintenance Schedule .....</b>	<b>4-5</b>
Lubrication Points .....	4-5
Lubricant Specifications .....	4-6
Trailer Maintenance Schedule .....	4-7
Trailer Maintenance Schedule Notes .....	4-8
Hydraulic Engine Maintenance Schedule (OPTION) .....	4-9
<b>Air System Maintenance .....</b>	<b>4-10</b>
Air System Maintenance Schedule .....	4-10
<b>Fifth Wheel Latch Adjustment .....</b>	<b>4-12</b>
Frame Slide Bumpers (455 ONLY) .....	4-12
Frame Slide Bumper Removal .....	4-13
Inspect and Repair .....	4-13
Frame Slide Bumper Install .....	4-13
<b>Hydraulic Maintenance .....</b>	<b>4-13</b>
Fluid Leak Classification .....	4-14
Fluid Leak Classifications .....	4-14
Hydraulic Maintenance Schedule .....	4-14
Hydraulic Engine Package .....	4-14

<b>Electrical System</b> .....	<b>4-15</b>
<b>Suspension Maintenance</b> .....	<b>4-15</b>
Air Ride Height Adjustment .....	4-15
Air Ride Suspension .....	4-16
<b>Alignment</b> .....	<b>4-18</b>
Wheel Alignment .....	4-18
Axle Alignment .....	4-19
Alignment, Air Ride Trailer 1st Axle Procedure .....	4-19
Alignment, Air Ride Trailer 2nd & 3rd Axle Procedure .....	4-20
<b>Brake System Maintenance</b> .....	<b>4-22</b>
General .....	4-22
Spring Air Brake Chambers .....	4-22
Caging the Power Spring .....	4-22
Removal .....	4-23
Installation .....	4-23
Emergency Relay Valve Maintenance .....	4-23
Brake Assembly Maintenance .....	4-23
Brake Adjustment .....	4-24
Disassembly for 12-1/4" X 7-1/2" Brakes .....	4-24
Reassembly for 12-1/4" X 7-1/2" Brakes .....	4-24
Disassembly for 16-1/2" x 7" Brakes .....	4-24
Reassembly for 16-1/2 x 7" Brakes .....	4-24
<b>Automatic Slack Adjuster</b> .....	<b>4-27</b>
Operational Check .....	4-27
Replacing Slack Adjuster .....	4-27
Adjusting Slack Adjuster .....	4-28
<b>Hub and Drum Maintenance</b> .....	<b>4-29</b>
<b>Wheel Bearing Lubrication and Adjustment</b> .....	<b>4-31</b>
Adjustment .....	4-31
<b>Tire Maintenance</b> .....	<b>4-31</b>
Tire Inflation .....	4-31
Tire Matching .....	4-32
Tape Measuring Method .....	4-32
Tire Changing Procedure .....	4-32
Straight Edge or String Method .....	4-32
Mounting Tire and Wheel .....	4-32
<b>Winches</b> .....	<b>4-34</b>
<b>Dock Levelers</b> .....	<b>4-34</b>
Disassembly/Assembly Procedure .....	4-34
Leg .....	4-34
Stabilizer Leg Counter Balance Valve .....	4-36
<b>Crank Landing Gear</b> .....	<b>4-37</b>
Repair Instructions .....	4-37

## 5 Troubleshooting Guide

Electrical .....	5-1
Tires - Wheels - Suspension .....	5-2
Brakes .....	5-4
Brake Drums .....	5-6

---

Hydraulic System . . . . .	5-8
Hydraulic Power Supply Engine Package . . . . .	5-10
Dock Leveler Hydraulics . . . . .	5-12

## Introduction and Safety Information

---

### Introduction

This manual provides operating, servicing, and maintenance instructions for Model 440A/455A Semitrailer, manufactured by Landoll Company, LLC., Marysville, Kansas 66508.

- CHAPTER 1** Gives basic instructions on the use of this manual and understanding the safety statements.
- CHAPTER 2** Gives product specifications for the trailer, including measurements and component specifications. A Standard Bolt Torque Table is provided to give guidelines for bolt torques to be used when servicing this product.
- CHAPTER 3** Gives instructions for the proper operation of the equipment.
- CHAPTER 4** Gives general maintenance procedures, a maintenance schedule, and a lubrication schedule. Improper maintenance will void your warranty.

**IF YOU HAVE ANY QUESTIONS CONTACT:  
LANDOLL COMPANY, LLC.  
1900 NORTH STREET  
MARYSVILLE, KANSAS 66508**

**PHONE # (785) 562-5381 or (800) 428-5655  
OR  
FAX # (888) 527-3909**

- CHAPTER 5** Is a troubleshooting guide to aid in diagnosing and solving problems with the trailer.
- PARTS MANUAL** Is a separate manual showing the various assemblies, sub-assemblies, and systems. Refer to that manual when ordering Landoll replacement parts. Order parts from your Landoll dealer.
- WARRANTY** The Warranty Registration form is included with the product documents. Fill it out and mail it within 10 days of purchase.  
**NOTE: IMPROPER ASSEMBLY, MODIFICATION, OR MAINTENANCE OF YOUR LANDOLL MACHINE CAN VOID YOUR WARRANTY.**
- COMMENTS** Address comments or questions regarding this publication to:

**LANDOLL COMPANY, LLC.  
1900 NORTH STREET  
MARYSVILLE, KANSAS 66508  
ATTENTION: PUBLICATIONS - DEPT. 55**

# Understanding Safety Statements

You will find various types of safety information on the following pages and on the machine signs (decals) attached to the vehicle. This section explains their meaning.

The Safety Alert Symbol means ATTENTION! YOUR SAFETY IS INVOLVED!



### **DANGER**

**Danger means a life-threatening situation exists. Death can occur if safety measures or instructions on this label are not properly followed.**



### **WARNING**

**Warning means serious injury or death can occur if safety measures or instructions on this label are not properly followed.**



### **CAUTION**

**Caution means serious equipment or other property damage can occur if instructions on this label are not properly followed.**

### **IMPORTANT**

*Means that failure to follow these instructions could cause damage to the equipment or cause it to operate improperly.*

### **NOTE**

*Make sure you read and understand the information contained in this manual and on the machine signs (decals) before you attempt to operate or maintain this vehicle.*

The safety statements contained in this manual relate to the operation of the Model 440A/455A semitrailer.



## Standard Specifications

<b>MODEL 440A/455A</b>	
<b>General Specifications</b>	
<b>GOOSENECK</b>	Hydraulic Tilt
<b>KING PIN SETTING</b>	21"
<b>ELECTRICAL HOOKUP</b>	7-Way Connector
<b>Capacity</b>	
<b>TANDEM AXLE - (440A MODEL)</b>	80,000 LB. Distributed
<b>STANDARD FRAME DESIGN - (440A MODEL)</b>	50,000 LB. Distributed
<b>TRIPLE AXLE - (455A MODEL)</b>	110,000 LB. Distributed
<b>STANDARD FRAME DESIGN - (455A MODEL)</b>	70,000 LB. Distributed
<b>Undercarriage Travel</b>	
<b>MODEL 440A</b>	264"
<b>MODEL 455A</b>	276"
<b>Ground Load Angle</b>	
<b>LOW LOAD ANGLE</b>	6.5°
<b>MAXIMUM TILT ANGLE</b>	15°
<b>Dock Leveler Capacity</b>	
<b>MODEL 440A OR 455A</b>	1 Pair - 62,000 LB.
<b>MODEL 455A ONLY</b>	2 Pair - 124,000 LB.
<b>Hydraulic Hookup</b>	
<b>QUICK COUPLERS</b>	Flat Face, 3/4" Body Size
<b>MAXIMUM OPERATING PRESSURE</b>	2500 PSI
<b>OPERATING FLOW</b>	20 GPM (25 GPM maximum), with a minimum reservoir size of 30 gallons, minimum of 3/4" diameter hoses, with a pressure relief on the hydraulic supply.

**STANDARD SPECIFICATIONS**

<b>Specific Bolt Torques</b>	<b>Ft. lbs</b>	<b>Nm</b>
<b>Cam Follower Assembly</b>		
<b>3" CAM FOLLOWER (THREADS GREASED)</b>	166	225
<b>4"-5" CAM FOLLOWER (THREADS GREASED)</b>	250	338
<b>Suspension Assembly, Air Ride</b>		
<b>1-1/8" - PIVOT AND ADAPTER BOLTS (DESIGNATION ON BOLTHEAD)</b>		
NEWAY	800	1840
HOLLAND NEWAY	550	745
<b>3/4" - SHOCK ABSORBER NUT (THREADS DRY)</b>		
DEXTER CORP	150 - 175	575 - 595
HOLLAND NEWAY	150	205
<b>3/4" - UPPER AIR SPRING NUT (THREADS DRY)</b>		
DEXTER CORP	40-45	55-60
HOLLAND NEWAY	35	47
<b>3/8" - LOWER AIR SPRING BOLT (THREADS DRY) - DEXTER CORP</b>	15 - 20	20 - 25
<b>1/2" - LOWER AIR SPRING BOLT (THREADS DRY)</b>		
DEXTER CORP	25 - 30	28 - 70
HOLLAND NEWAY	35	47
<b>3/4" - SHOCK ABSORBER NUT (THREADS DRY)</b>		
DEXTER CORP	150 - 175	575 - 595
HOLLAND NEWAY	150	205
<b>1/2" - RIDE HEIGHT AIR VALVE CONTROL ROD &amp; LINKAGE NUTS</b>	50	67
<b>1/4" - RIDE HEIGHT AIR VALVE &amp; LINKAGE NUT (THREADS DRY)</b>	5	7
<b>Wheel Fasteners</b>		
<b>OUTER SPINDLE NUTS</b>	250 - 400	339 - 541
<b>HUB CAP AND GASKET</b>	10 - 15	14 - 26
<b>PILOT WHEEL NUTS</b>	450 - 500	611 - 676
<b>Winch Fasteners (Option)</b>		
<b>WINCH MOUNT BOLTS</b>	159	215

## General Torque Specifications (rev. 4/97)

**TORQUE SPECIFIED IN FOOT POUNDS** - This chart provides tightening torques for general purpose applications when special torques are not specified on process or drawing. Assembly torques apply to plated nuts and capscrews assembled without supplemental lubrication (as received condition). They do not apply if special graphite moly-disulfide or other extreme pressure lubricants are used. When fasteners are dry (solvent cleaned) add 33% to as received condition torque. Bolt head identification marks indicate grade and may vary from manufacturer to manufacturer. Thick nuts must be used on grade 8 capscrews. Use value in [ ] if using prevailing torque nuts.

UNC SIZE	SAE Grade 2	SAE Grade 5	SAE Grade 8	UNF SIZE	SAE Grade 2	SAE Grade 5	SAE Grade 8
1/4-20	4 [5]	6 [7]	9 [11]	1/4-28	5 [6]	7 [9]	10 [12]
5/16-18	8 [10]	13 [13]	18 [22]	5/16-24	9 [11]	14 [17]	20 [25]
3/8-16	15 [19]	23 [29]	35 [42]	3/8-24	17 [21]	25 [31]	35 [44]
7/16-14	24 [30]	35 [43]	55 [62]	7/16-20	27 [34]	40 [50]	60 [75]
1/2-13	35 [43]	55 [62]	80 [100]	1/2-20	40 [50]	65 [81]	90 [112]
9/16-12	55 [62]	80 [100]	110 [137]	9/16-18	60 [75]	90 [112]	130 [162]
5/8-11	75 [94]	110 [137]	170 [212]	5/8-18	85 [106]	130 [162]	180 [225]
3/4-10	130 [162]	200 [250]	280 [350]	3/4-16	150 [188]	220 [275]	320 [400]
7/8-9	125 [156]	320 [400]	460 [575]	7/8-14	140 [175]	360 [450]	500 [625]
1-8	190 [237]	408 [506]	680 [850]	1-14	210 [263]	540 [675]	760 [950]
1-1/8-7	270 [337]	600 [750]	960 [1200]	1-1/8-12	300 [375]	660 [825]	1080 [1350]
1-1/4-7	380 [475]	840 [1050]	1426 [1782]	1-1/4-12	420 [525]	920 [1150]	1500 [1875]
1-3/8-6	490 [612]	1010 [1375]	1780 [2225]	1-3/8-12	560 [700]	1260 [1575]	2010 [2512]
1-1/2-6	650 [812]	1460 [1825]	2360 [2950]	1-1/2-12	730 [912]	1640 [2050]	2660 [3325]
1-3/4-5	736 [920]	1651 [2063]	2678 [3347]	1-3/4-12	920 [1150]	2063 [2579]	3347 [4183]

**METRIC:**

Coarse thread metric class 10.9 fasteners and class 10.0 nuts and through hardened flat washers, phosphate coated, Rockwell "C" 38-45. Use value in [ ] if using prevailing torque nuts.

Nominal thread diameter (mm)	Newton Meters (Standard Torque)	Foot Pounds (Standard Torque)	Nominal Thread Diameter (mm)	Newton Meters (Standard Torque)	Foot Pounds (Standard Torque)
6	10 [14]	7 [10]	20	385 [450]	290 [335]
7	16 [22]	12 [16]	24	670 [775]	500 [625]
8	23 [32]	17 [24]	27	980 [1105]	730 [825]
10	46 [60]	34 [47]	30	1330 [1470]	990 [1090]
12	80 [125]	60 [75]	33	1790 [1950]	1340 [1450]
14	125 [155]	90 [115]	36	2325 [2515]	1730 [1870]
16	200 [240]	150 [180]	39	3010 [3210]	2240 [2380]
18	275 [330]	205 [245]			

## Hydraulic Fitting Torque Specifications

**TORQUE IS SPECIFIED IN FOOT POUNDS- 37° JIC, ORS, & ORB (REV. 10/97)**

This chart provides tightening torques for general purpose applications when special torques are not specified on process or drawing. Assembly torques apply to plated nuts and capscrews assembled without supplemental lubrication (as received condition). They do not apply if special graphite moly-disulfide or other extreme pressure lubricants are used. When fasteners are dry (solvent cleaned) add 33% to as received condition torque. Bolt head identification marks indicate grade and may vary from manufacturer to manufacturer. Thick nuts must be used on grade 8 capscrews. Use value in [ ] if using prevailing torque nuts.

### Parker Brand Fittings

Dash Size	37 Degree JIC	O-Ring (ORS)	O-Ring Boss (ORB)
-4	11-13	15-17	13-15
-5	14-16	-----	21-23
-6	20-22	34-36	25-29
-8	43-47	58-62	40-44
-10	55-65	100-110	58-62
-12	80-90	134-146	75-85
-16	115-125	202-218	109-121
-20	160-180	248-272	213-237
-24	185-215	303-327	238-262
-32	250-290	-----	310-340

### Gates Brand Fittings

Dash Size	37 Degree JIC	O-Ring (ORS)	O-Ring Boss (ORB)
-4	10-11	10-12	14-16
-5	13-15	-----	-----
-6	17-19	18-20	24-26
-8	34-38	32-40	37-44
-10	50-56	46-56	50-60
-12	70-78	65-80	75-83
-14	-----	65-80	-----
-16	94-104	92-105	111-125
-20	124-138	125-140	133-152
-24	156-173	150-180	156-184
-32	219-243	-----	-----

### Aeroquip Brand Fittings

Dash Size	37 Degree JIC	O-Ring (ORS)	O-Ring Boss (ORB)
-4	11-12	10-12	14-16
-5	15-16	-----	16-20
-6	18-20	18-20	24-26
-8	38-42	32-35	50-60
-10	57-62	46-50	75-80
-12	79-87	65-70	125-135
-14	-----	-----	160-180
-16	108-113	92-100	200-220
-20	127-133	125-140	210-280
-24	158-167	150-165	270-360
-32	245-258	-----	-----

## Operating Instructions

### General

This section supplies information for operation of the semitrailer. It describes and locates controls and gives general operation procedures. Read all instructions, warnings, cautions, and danger notes before attempting to operate the semitrailer. Operators must have proper training before operating the semitrailer.

(See Figure 3-1 and 3-2) for location of semitrailer parts.



#### WARNING

**Do not operate the semitrailer with any known fault that might endanger the occupants, nearby workers, other traffic, the load, or the equipment.**



#### WARNING

**Do not operate the semitrailer until you have read the operator's manual and completely understand the proper use and function of all controls. Improper use can cause personal injury, damage to your semitrailer and cargo, and cause time-consuming breakdowns.**

### Landing Gear

The landing gear consists of two legs with a tube telescoping within another tube. Crank style is standard. Pin drop or hydraulically operated are optional.

### Parking Brake

The parking brakes are automatically applied by spring pressure with the air actuators of the braking system when air pressure in the emergency line drops below 50 psi. This may be done within the truck using the trailer parking/emergency valve or by disconnecting the emergency gladhands.

### Air Brake System

The air brake system of the semitrailer is operated from the towing vehicle after coupling. The towing vehicle's air system must be coupled to the semitrailer and charged to 90 psi minimum before the brakes can adequately function.

### Anti-Lock Brake System (ABS)

The Anti-Lock Brake System of the semitrailer is constant powered by the auxiliary (blue) circuit of the seven-way electrical connector, with backup power from the stop lamp (red) circuit, and ground through the white wire. It is necessary that the blue circuit is hot when the tractor key switch is on. The blue circuit on the trailer may not be used to power any additional auxiliary devices while the semitrailer is moving forward. If a fault exists in the ABS, normal braking will occur, but the wheels may lock. Service the ABS as soon as possible.



#### CAUTION

**The auxiliary (blue) circuit is for powering the semitrailer ABS. This circuit must be hot when the tractor key switch is on. No other electrical devices may be powered by this circuit while the semitrailer is moving forward.**



#### CAUTION

**If a fault exists in the semitrailer ABS, normal braking will occur, but wheels may lock and the ABS must be serviced as soon as possible.**

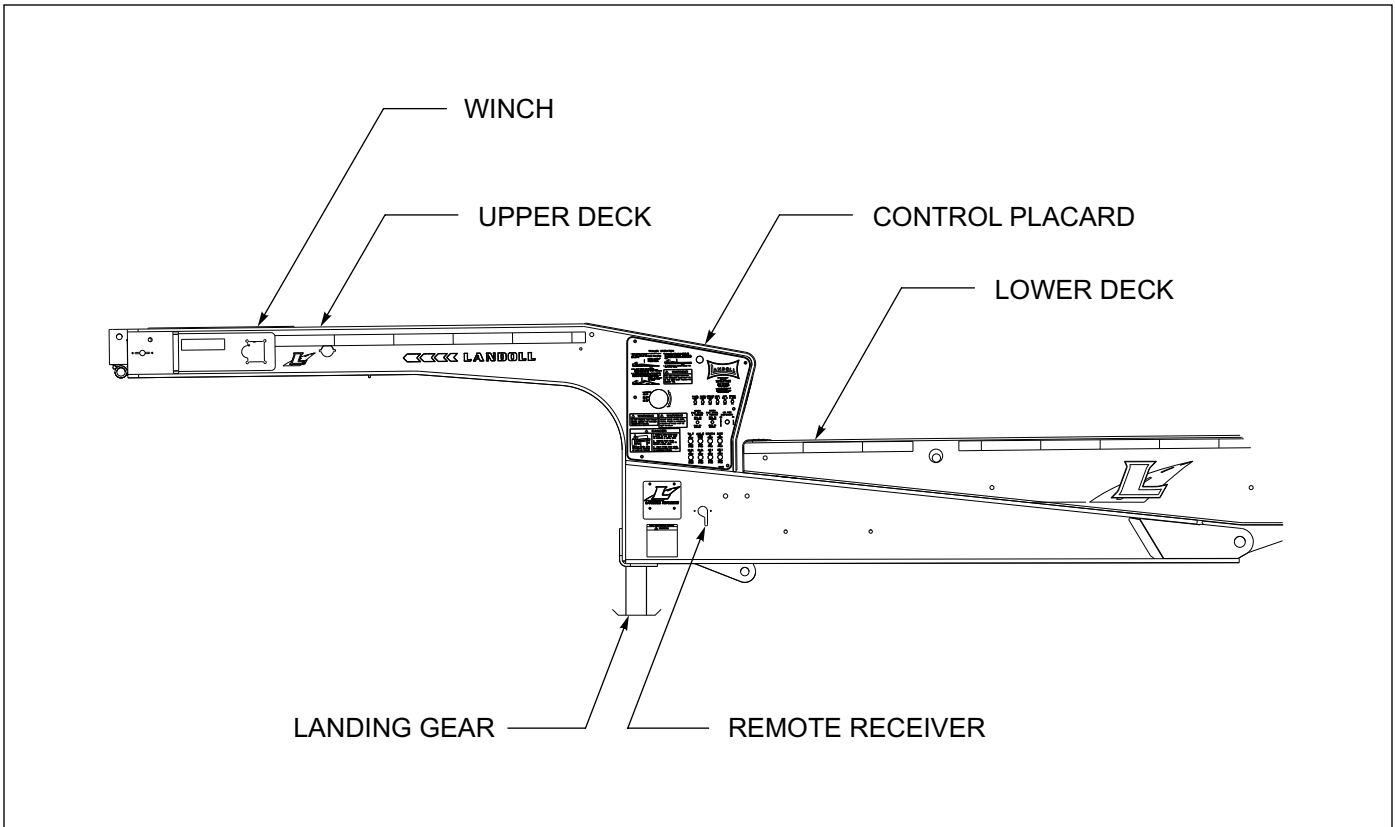


Figure 3-1: Front Trailer Terminology

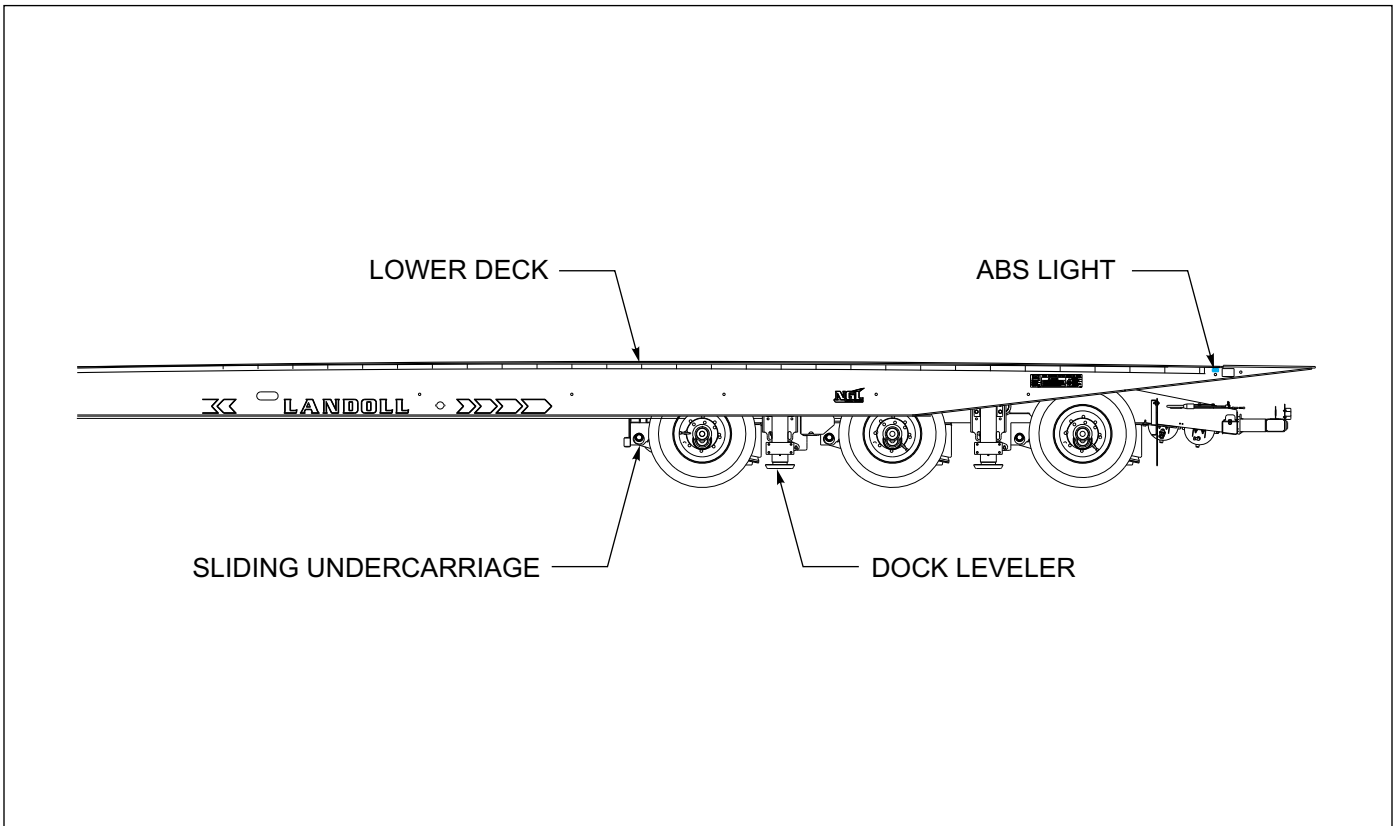


Figure 3-2: Rear Trailer Terminology

## Electrical

The only electrical operation required of the operator is interconnection of the towing vehicle electrical cable plug with the semitrailer electrical receptacle.

It is necessary that the tractor blue wire be connected to the appropriate electrical source on the tractor.

## Hydraulic

Most controls are located on the driver's side of the trailer. A hydraulic pump must be coupled to the trailer hydraulic system, or the optional hydraulic engine package started, before any hydraulic controls can function. The hydraulic system is designed to operate at 2500 psi maximum pressure and approximately 20 GPM flow capacity. The control valve has a built-in flow control that can handle 50 GPM max and it limits the function to 20 GPM. **Tractor must be equipped with a relief valve set at 2500 psi maximum pressure.**

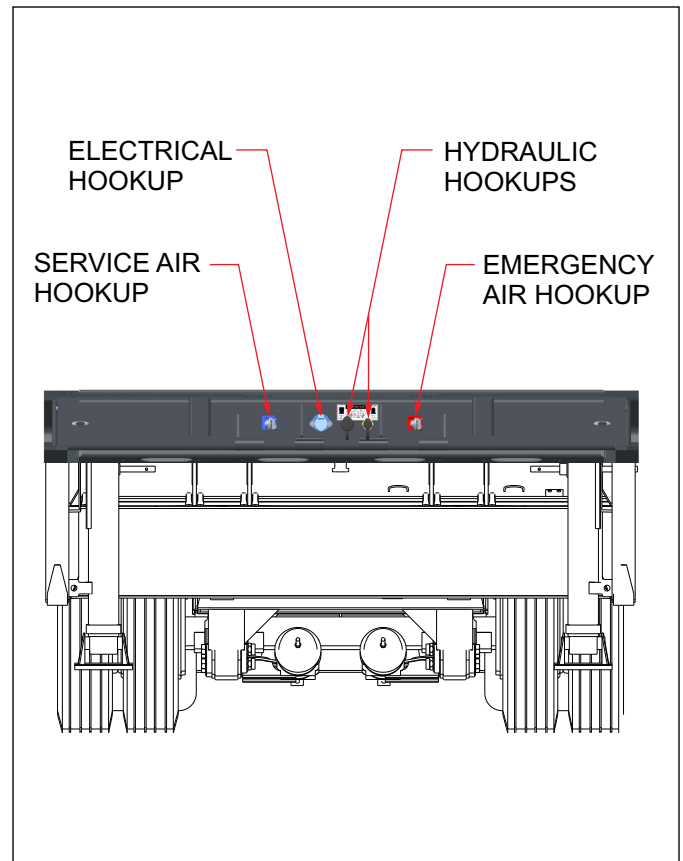
## Pre-Coupling of Semitrailer and Tractor

1. Slowly back the tractor/truck (towing vehicle) up to the front end of the semitrailer so the kingpin of the semitrailer is centered between the tractor fifth wheel jaws. Stop the towing vehicle just inches ahead of the semitrailer. Set tractor parking brake.
2. Check the semitrailer king pin plate. It should be in a horizontal position. The king pin plate should be the same height, to slightly lower, than the latch area of the fifth wheel plate of the towing vehicle. Crank two speed landing gear up or down to correct height. If you have the optional pin drop or hydraulic landing gear, connect the tractor hydraulic lines, or start the semitrailer hydraulic power engine. Use the trailer tilt lever (**See Table 3-2**) or hydraulic landing gear (**See Table 3-1**) to raise or lower the kingpin plate sufficiently to set proper coupling height. Drain all air and moisture from the towing vehicle air brake system following towing vehicle manufacturer's instructions.
3. Connect the service and emergency air hoses of the towing vehicle to their respective gladhand on the front of the semitrailer; red emergency line to the gladhand with the "EMERGENCY" tag, and the blue service line to the gladhand with the "SERVICE" tag (**See Figure 3-3.**) Chock the semitrailer wheels before activating the semitrailer air supply valve in the towing vehicle. Set the parking brakes.
4. Check the air brake operations of the semitrailer as follows:
  - a. Apply brakes and inspect brake action on all wheels for prompt application.
  - b. Release brakes. All brakes should release immediately. Air pressure should discharge quickly from the relay emergency valve.
  - c. Disconnect the emergency air line from the semitrailer gladhand. Trailer brakes should promptly set.
  - d. Re-connect the emergency air line to the semitrailer and activate the semitrailer air supply valve. The semitrailer brakes should set.



### WARNING

**Failure to chock semitrailer wheels could allow movement of the semitrailer resulting in serious personal injury, death, or damage to property in its path.**



**Figure 3-3: Service Hookups**

## Coupling of the Tractor to the Semitrailer



### DANGER

Keep all personnel clear of front, rear, and sides of towing vehicle and semitrailer during coupling, component operations, and uncoupling. Failure to stay clear can result in serious personal injury or death.

1. Verify the semitrailer wheels are chocked and brakes function properly.
2. Make certain the coupler of the towing vehicle's fifth wheel is open by pulling the latch handle.
3. Slowly back the towing vehicle so its fifth wheel contacts the front of the king pin plate on the semitrailer and slips under it. Continue backing until the fifth wheel coupler locks onto the semitrailer kingpin.



### CAUTION

Pushing the semitrailer backwards can damage parking stands.

4. Verify the vehicle coupling is secure by attempting to pull the tractor forward a few inches. If the tractor disconnects from the semitrailer, locate source of coupling failure; repair before continuing; and repeat **steps 3 and 4**.
5. Check that the towing vehicle couples securely to the semitrailer before setting towing vehicle and semitrailer parking brakes.

### IMPORTANT

Keep brakes engaged for remainder of hookup, checkout procedures and parking.

## Connecting Tractor Services to the Semitrailer

1. Connect the towing vehicle 7-pole electrical plug to the electrical receptacle on the front of the semitrailer (See Figure 3-3.)

### IMPORTANT

The key on the plug and the keyway in the socket must be properly aligned before inserting the plug into the semitrailer socket.



### CAUTION

Hydraulic operating pressures greater than 2500 psi can cause damage to the trailer.

2. If you have not already done so, connect the tractor hydraulic lines to the semitrailer unless your semitrailer is equipped with the self-contained hydraulic power engine package.

### IMPORTANT

Some oil may need to be removed from the tractor reservoir to allow room for 12 gallons of additional oil displaced from the trailer hydraulic system.



# Tractor and Semitrailer Check-Out



## WARNING

Failure to properly set and check parking brake, and chock wheels when parking and during storage, could allow movement of the truck/semitrailer rig resulting in serious personal injury, death, or damage to property in its path.



## CAUTION

Always grip crank handle securely with both hands. Never shift landing gear under load, leave the gears in neutral or leave the crank unsecured.

### IMPORTANT

**Do Not Transport until defect or defects are repaired.**

1. With hydraulic power operating, raise landing gear:
  - a. For pin drop landing gear, activate the Trailer Tilt lever "UP" until weight is off the landing gear (See Table 3-2.) Raise landing gear and secure each leg with a park stand retaining pin in the full "up" position before transporting.
  - b. For crank landing gear, retract landing gear by turning hand crank on control panel counterclockwise. Use low gear until the load is off the landing gear. Then shift to high gear and continue cranking until fully retracted. Leave the landing gear in high gear.
2. The Landing Gear lever is located in the hydraulic control panel (See Figure 3-4.) It has three positions:

LANDING GEAR LEVER	
RETRACT	In this position, the landing gear is pulled up off the ground.
CENTER	This is neutral position.
EXTEND	In this position, the landing gear is lowered to the ground.

**Table 3-1: Landing Gear Lever**



## CAUTION

1. Landing gear legs must be fully retracted. Pin drop landing gear and hydraulic operated landing gear must be secured with pins before operating or moving semitrailer.
  2. If semitrailer is loaded when operating landing gear, load must be centered on the trailer.
  3. Do not tilt semitrailer with landing gear on ground.
  4. Do not move trailer axles if the frame slide bumpers have 1/2 inch or more of wear. This can result in damage to the semitrailer.
3. Activate the Trailer Tilt lever "DOWN" until the semitrailer is fully lowered. Hold semitrailer tilt lever in the down position (See Table 3-2) until hydraulic system works against the bottomed out Hydraulic Tilt Cylinders.
  4. Determine that the traveling undercarriage is completely slid back to transport position. Hold the Axle Control lever in the transport position (See Table 3-3) until hydraulic system works against the fully extended hydraulic telescopic axle cylinder. Shut off hydraulic power.
  5. Check the frame slide bumpers for excessive wear. No more than 1/2 inch is allowed, use the 45 degree chamfers as reference. (See Frame Slide Bumper Inspect and Repair "Slide Bumper Wear Limit" on page 4-13).
  6. Check the operation of all lights and signals on the semitrailer for proper response to switch positions (stop, right turn, left turn, and clearance). Check operation of remote function if present.
  7. Check tire inflation; adjust as needed to the pressure listed on the semitrailer VIN plate, located on the front of the semitrailer.
  8. Check tractor/semitrailer rig for air leaks. If air leakage is found, repair the defect before transporting.
  9. Check the oil in each hub for proper level and freedom from contamination. If hubs are contaminated with water, dirt or some other foreign material, clean before transporting.
  10. Check tractor air pressure. Pressure must not fall below 90 psi, even after activating brakes a couple of times. Set parking brake and carefully remove all wheel chocks. Set emergency brake and try pulling forward. The semitrailer wheels must not rotate. If semitrailer brakes do not apply,

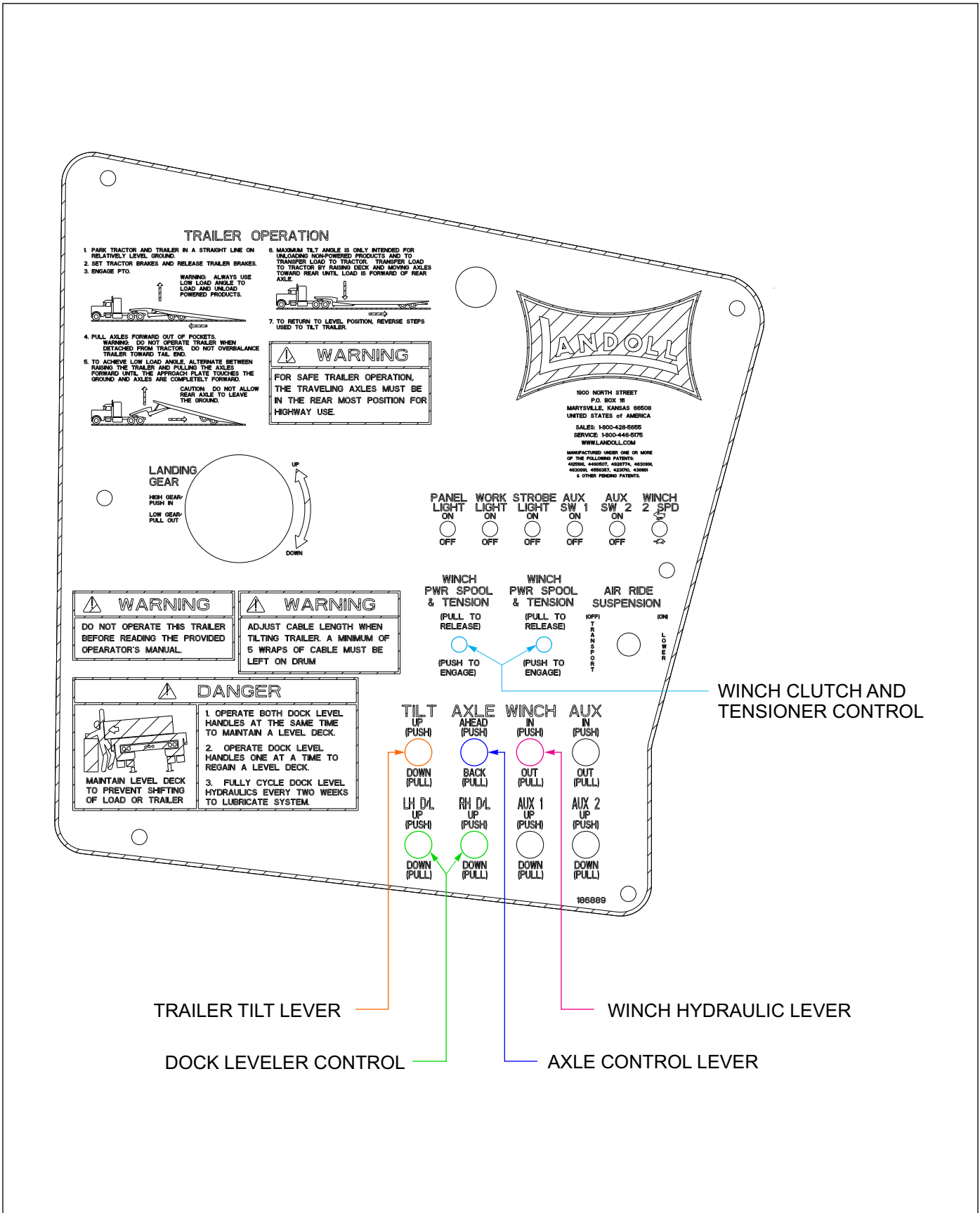


Figure 3-4: Hydraulic Controls

## Towing the Semitrailer



### CAUTION

**When operating semitrailer, do not back over curb. This will cause severe damage to undercarriage and undercarriage cylinder.**

Driving the towing vehicle with the semitrailer coupled behind requires constant attention to the overall length of the combination. The “hinged-in-the-middle” configuration of the tractor and semitrailer, load, and weight affect performance. Turning, passing, acceleration, braking, stopping, and backup require special considerations. When executing steep grades or turning tight curves, the semitrailer must not be allowed to push the towing vehicle, or jack knifing the semitrailer with the towing vehicle may result. Application of the semitrailer brakes to keep the semitrailer in tow will help prevent this pushing. Braking should begin before descending a hill or attempting a curve, to assure control.

1. Make a moving test of the semitrailer brakes at low and medium speeds before traveling at highway speed.

*The Anti-Lock Brake System (ABS) warning lamp mounted at left rear side of the semitrailer should come on when power is supplied to the ABS by turning the tractor keyswitch on. The warning lamp should go off once the semitrailer exceeds 4 mph. If the warning lamp does not go off, a fault exists in the semitrailer ABS. Once the vehicle speed exceeds 4 mph, the light should remain off unless a fault occurs or the keyswitch is turned off, then on again.*



### CAUTION

**If a fault exists in the semitrailer ABS, normal braking will occur, but wheels may lock. Service the ABS as soon as possible.**

2. Monitor the air pressure gauge on the dash of the towing vehicle. Pressure should not fall below 90 psi at any time.
3. The semitrailer wheels track to the inside of the towing vehicle during turns. Thus, turning corners requires a wide swing to prevent “curb hopping”, and to allow the semitrailer wheels to clear any obstacle on the inside of the corner.
4. To stop, use a gradual and smooth application of brakes. If grabbing occurs, apply less pressure - grabbing brakes are not efficient.



### DANGER

**Always check behind and under the truck and semitrailer for persons or objects before moving. Failure to check can lead to serious personal injury or death to others, or damage to property.**

5. Backing should be done with care. Tail overhang, semitrailer length, and allowable space must be taken into consideration when backing the semitrailer.

## Parking the Trailer

1. Position truck/semitrailer rig on a level, solid surface.
2. Set the **PARKING BRAKE**, **not the semitrailer hand brake**, and check for proper brake holding.
3. Chock wheels of semitrailer.
4. Check for any air leaks in lines, relay valve, brake pods, or any other air system component.



### WARNING

**When leaving the semitrailer unattended, position all hydraulic controls to the neutral or “off” position and shut off the hydraulic engine power supply, or disconnect the tractor hydraulic hook-up.**


## Uncoupling Towing Vehicle from Semitrailer

1. Park the semitrailer according to instructions in “Parking the Trailer” on page 3-7.
2. Lower the landing gear:

 <b>WARNING</b>
<b>With pin drop or hydraulic landing gear be sure to secure each leg with pin before leaving semitrailer unattended.</b>

 <b>CAUTION</b>
<b>Always grip crank handle securely with both hands. Never shift landing gear under load. Never leave the gears in neutral or the crank unsecured.</b>

- a. Lower the pin drop landing gear to the ground. Hydraulically raise front end of semitrailer until next hole in landing gear is available. Pin through both inner and outer legs of landing gear. Hydraulically lower semitrailer onto legs.
  - b. For optional crank landing gear, turn crank handle clockwise to extend. Using high gear, lower the landing gear until the pads make contact with the ground. To reduce the load on the fifth wheel, shift to low gear and crank an additional four to eight turns. Leave the landing gear engaged in low gear.
  - c. For hydraulic landing gear, extend landing gear with lever on Engine Control Panel until the same weight of the trailer is on the landing gear. Extend legs until the hole in inner leg lines up with hole in outer leg. Secure each leg by inserting a pin.
3. Disconnect the emergency and service air lines and attach them to the tractor gladhand holders. If present, install dummy gladhands on trailer couplings.
  4. Disconnect the 7-pole cable and hydraulic lines from the semitrailer and store with the tractor.
  5. Pull the tractor fifth wheel plate latch release lever.
  6. Attempt to pull the tractor forward. If the tractor uncouples, verify all service lines are disconnected and semitrailer wheels are chocked. If tractor does not disconnect, repeat **steps 5 and 6**.
  7. Pull the tractor away from the semitrailer.

 <b>DANGER</b>
<b>Always check behind and under the truck and semitrailer for persons or objects before moving. Failure to check can lead to serious personal injury or death to others, or damage to property.</b>

## Trailer Tilt Lever

The Trailer Tilt lever is located on the driver’s side of the upper deck (See Figure 3-4.) It is the front lever and has three positions:

TRAILER TILT LEVER	
<b>PUSH IN</b>	In this position, the front end of the semitrailer rises to the load position.
<b>CENTER</b>	This is the neutral position. The semitrailer stays in its current position.
<b>PULL OUT</b>	In this position, the front end of the semitrailer lowers to the transport position.

Table 3-2: Trailer Tilt Lever

## Axle Control Lever

The Axle Control lever (See Figure 3-4) is located on the control panel. It is the third lever with three positions:

AXLE CONTROL LEVER	
<b>PUSH IN</b>	In this position, the undercarriage slides forward for loading.
<b>CENTER</b>	This is the neutral position.
<b>PULL OUT</b>	In this position, the undercarriage slides to the rear. The undercarriage must be in the rear-most position for transport.

Table 3-3: Axle Control Lever

# Swingout Outrigger Platform Extension Set-Up (Option)

- 1. Unlatch and fold out swing-out outriggers (See Figure 3-5.)
- 2. Unlatch pull-out extension by pulling spring loaded latch pin. Slide extension out until it latches again.
- 3. Place planks on outriggers and assemble end to end using braces, 3/8"-16 x 2-1/4" bolts, washers, and nuts.
- 4. Plank joints must be centered on outriggers.
- 5. To remove pull-out extension, reverse steps 1 thru 3.
- 6. Remove only two bolts for each joint (See Figure 3-5.) Leave braces attached to boards for storage.

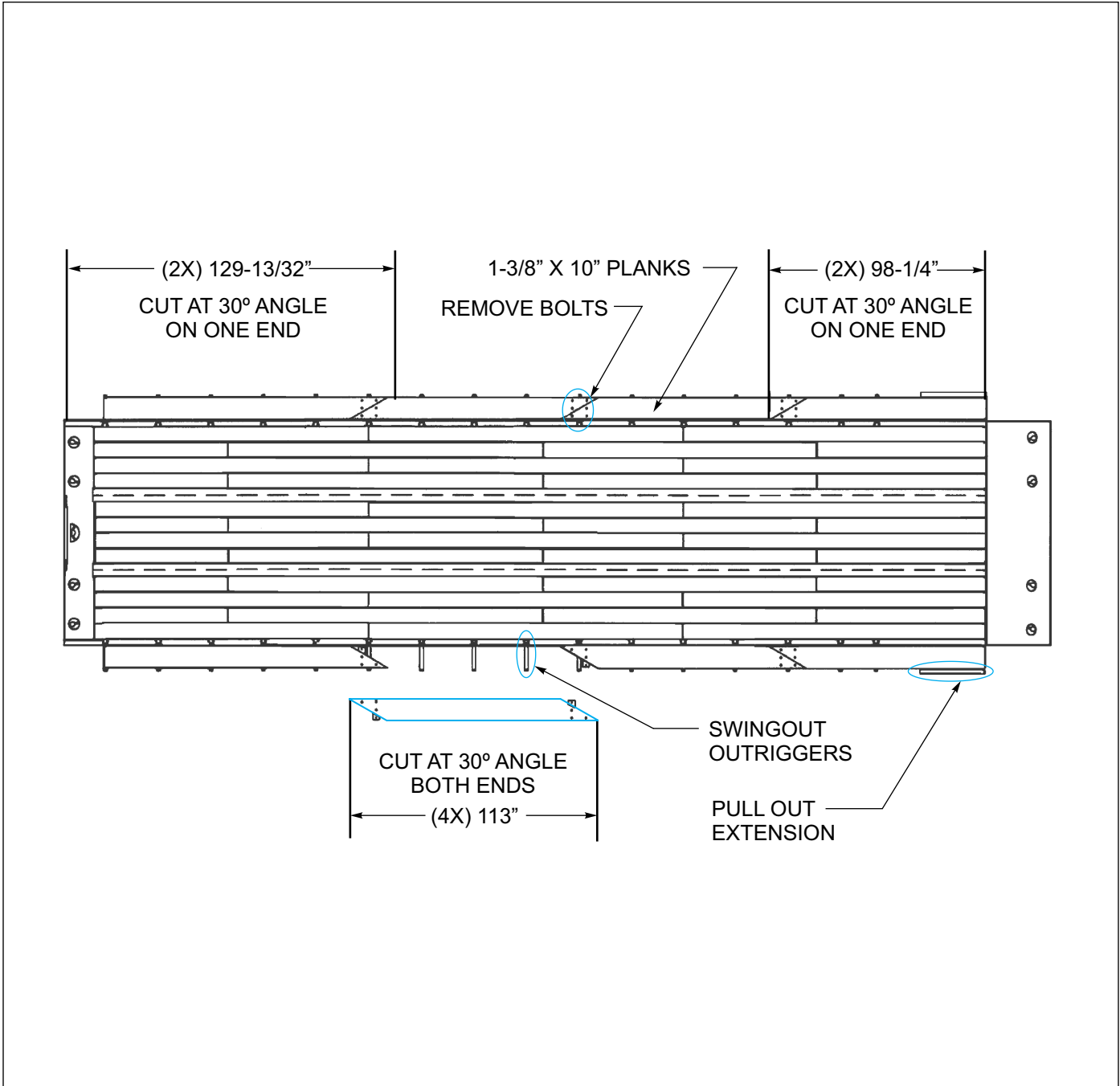


Figure 3-5: Outrigger Platform Extension

## Pull Out Extensions



### DANGER

1. Do not operate if any extension is not locked in place by spring loaded locking pin. Inspect all extensions to insure each is locked securely in position by the spring loaded locking pin.
2. Remove and securely store all wheel cover extensions which are not held down securely by the load when transporting trailer.



### CAUTION

Do not pull extensions out of trailer frame without adequate support. Failure do so may cause injury.

1. Pull out extensions are adjustable in six inch increments. Extension lock pin can be held in released position when pulled back and rotated one quarter turn into catch (See Figure 3-6.)
2. Adjust pullout to desired extended position and trip lock pin to secure.



### WARNING

1. Do not overload extensions. Overwidth ratings are given in standard specifications.
2. Do not secure load to overwidths or undercarriage. Secure load frame to mounted d-rings or gotchas located in the approach plate and frame beam flanges. Failure to do so may cause serious injury or death.

3. Additional blocking or planking may be needed to support load wheels/tracks between the rearmost overwidth and the ground.
4. Install the flag holders in the second hole of the front, center, and rear overwidth tubes and secure with lock washer and wing nut so the flag mounting tube is pointing upward. Secure approved flags in the mounting tube. Reference FMCSR Part 393.87 and applicable state and local regulations concerning flags on projecting loads.
5. If required, display oversize load signs.

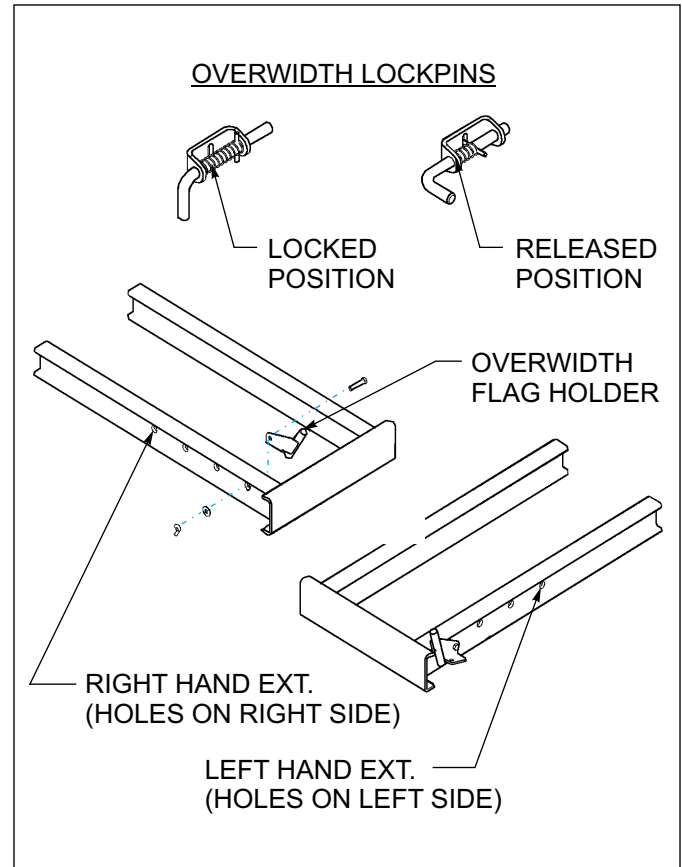


Figure 3-6: Pull Out Extensions

## Loading Procedure



### DANGER

1. Do not go near undercarriage when cam rollers are partially out of pockets. Check that cam rollers are completely in, or completely out of pockets. If a hydraulic hose is disconnected from the system, the undercarriage could slide abruptly into the pockets.
2. The center of gravity of the load must be in front of the center of the undercarriage whenever the approach plate is not supported by the ground. Failure to do this can cause the semitrailer to tilt back and can result in injury or death.
3. Keep all persons clear while tilting trailer to avoid serious injury or death by being pinched in trailer bed.



### CAUTION

1. Do not allow the back trailer axle to leave the ground. This can result in damage to semitrailer.
2. Do not move trailer axles if the frame slide bumpers have 1/2 inch or more of wear. This can result in damage to the semitrailer.
3. Tilting the semitrailer deck will increase tension on the winch cable, which can cause the load to be pulled forward. Do not hook the cable to the lower deck when tilting.



### CAUTION

In loading or unloading position, the approach plate should be resting on the ground and the undercarriage fully forward.



### WARNING

Always use low load angle to load and unload powered products.

1. Practice all standard industrial safety standards. Do not load any payload that will overload any component of the trailer or cause an unsafe condition.
2. Park the tractor/semitrailer in a straight line on level even surface. Set the tractor brakes and release the semitrailer brakes (See Figure 3-7.)
3. Start operation of hydraulic power system. If the hydraulic engine package is installed, start and warm up engine following engine operating instructions in “Hydraulic Power Supply Engine Operation (Option)” on page 3-20 (Read engine operator’s manual.)
4. Move undercarriage forward (out of pockets) five to eight feet using the Axle Control lever (See Table 3-3.) To insure that the trailer does not rock back, keep undercarriage behind the trailer center of gravity.

### IMPORTANT

Maximum angle is only intended if required for unloading non-powered products and to transfer load to tractor. Transfer load to tractor by raising deck and moving axles rearward until load is forward of rear axle, thus applying load to tractor.

5. If winch cable is connected to lower bed, disconnect cable from lower bed or reel out cable as needed to keep it from becoming too tight when tilting bed (See “Winch Controls” on page 3-15.) Using the Trailer Tilt lever, tilt the front of the bed up until approach plate touches the ground or is to full tilt position (See Table 3-2.)
6. If the approach plate has not touched the ground, move undercarriage forward until approach plate just touches the ground.
7. Alternate between lowering bed tilt angle and moving undercarriage fully forward so weight of the trailer bed rests partly on approach plate and partly on undercarriage as undercarriage is moved forward. Reel winch in or out as needed to keep some tension on cable. The object is to have the approach plate resting on the ground whenever the center of gravity of the trailer and load is behind the center of the undercarriage. In loading or unloading position, the approach plate should be resting on the ground and the undercarriage fully forward.
8. Winch or drive the load onto the semitrailer. Insure that the load is steering straight up onto the semitrailer and does not maneuver off the side of the semitrailer. Continue until load center of gravity is just ahead of the axles, if possible. The load should never place more weight on the kingpin than on the rear axles during loading and unloading.

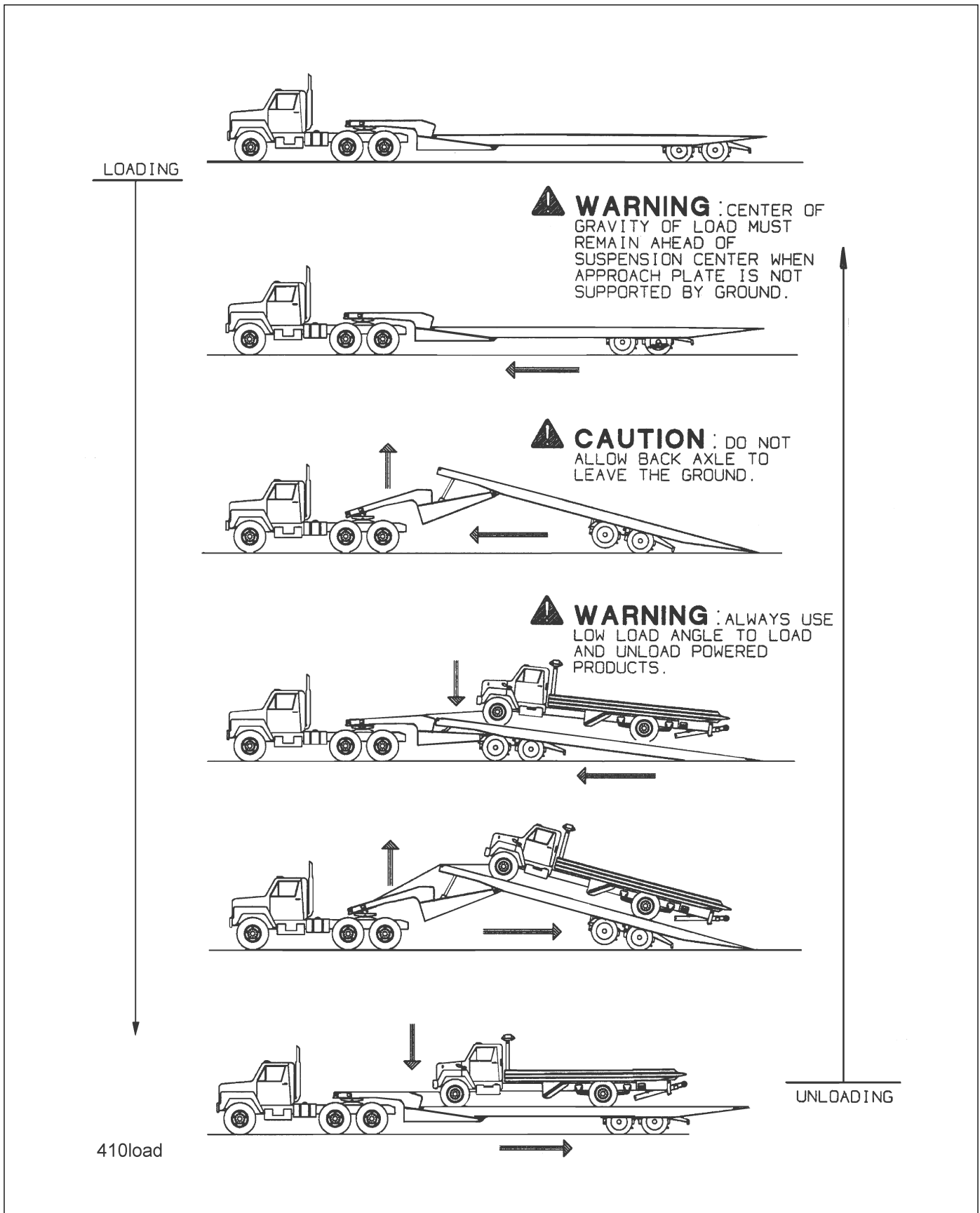


Figure 3-7: Steps for Loading and Unloading





**CAUTION**

**Tandem axle semitrailer maximum concentrated load in a 10ft. area is 40,000 lbs. for a standard semitrailer and 50,000 lbs. with additional crossmembers. Triple axle semitrailer maximum concentrated load in a 16ft. area is 70,000 lbs.**



**CAUTION**

1. **The semitrailer must be coupled to a tractor and the landing gear raised off the ground before operating.**
2. **Do not exceed the gross axle weight ratings for any axle on your vehicle. The combined weight of the semitrailer and cargo must not exceed the gross vehicle weight rating (GVWR) of the trailer.**

9. Securely tie down the load and attach the winch cable to the front of the load, if it is not already attached. Reel in winch cable until it becomes tight. (Winch cable serves as a safety tiedown in case load tiedown fails but is not to replace tie downs.)
10. To adjust trailer to a transport position, alternate between tilting the front of the bed up toward full tilt position and moving the undercarriage rearward, until the center of gravity of the trailer load is ahead of the center of the undercarriage. Keep part of the load on the wheels and part on the approach plate. Reel winch out as needed to keep slight tension on the cable. Never move the undercarriage so far to the rear that the approach plate is lifted off the ground.
11. When the center of gravity of the trailer and load is in front of the undercarriage or when the trailer is in full tilt and the undercarriage as far back as possible without lifting the approach plate off the ground, fully lower the tilt angle. Reel in the winch cable as needed to keep slight tension on the cable.
12. After bed tilt angle is fully lowered, move the undercarriage to the rear until it is in transport position. The trailer deck will lower as the undercarriage rollers go into pockets. Hold Trailer Tilt lever in the down position until hydraulic system works against the bottomed out Hydraulic Tilt Cylinders (Approximately 2-5 seconds). Hold Axle Control lever in the transport position until hydraulic system works against the fully extended Hydraulic Axle Cylinder (Approximately 2-5 seconds).

13. Recheck that load is properly secured. If necessary, unsecure the load, move load slightly forward or rearward on the load bed to get correct weight distribution on kingpin and the trailer axles, and resecure the load with the tiedowns and winch cable.
14. Shut down hydraulic power system. If hydraulic engine package is installed, shut down the auxiliary hydraulic power engine following operating instructions in “**Hydraulic Power Supply Engine Operation (Option)**” on page 3-20. Assure maintenance schedule is up-to-date and semitrailer is ready to be pulled.

## Securing the Load



**WARNING**

**Do not allow slack in tiedowns. A shifting load may create enough momentum to break hi-test chains or strap ties. Slack in tiedowns may result in damage to the load, and death or serious injury to persons near the load.**

1. All items of the semitrailer load must be securely tied to the deck, front and rear, using the D-rings on the semitrailer frame. The load must be tied with chain or ratchet straps sufficient to withstand the weight of the load using standard approved tiedown methods.
2. No slack is allowed in the tie down chains or straps. Use binders with chains or a ratchet type buckle on straps to eliminate any slack in the tiedowns.
3. Remember that regulations vary from state to state. for state regulations, see <http://www.fhwa.dot.gov/webstate.htm>.

**IMPORTANT**

**More information about cargo securement may be found at <http://www.fmcsa.dot.gov/cargosecurement.pdf>.**

## Unloading Procedure

1. Practice all standard industrial safety standards.
2. Park the tractor/semitrailer in a straight line on a level even surface (**See Figure 3-7.**) Set the tractor brakes and release the semitrailer brakes.
3. Start operation of hydraulic power system. If the hydraulic engine package is installed, start and warm up the auxiliary hydraulic power engine following engine operating instructions in “**Hydraulic Power Supply Engine Operation (Option)**” on page 3-20.
4. Make sure load is still in correct position to get proper weight distribution on kingpin and secured with appropriate load tiedowns.
5. Using the Axle Control lever, move undercarriage forward (out of pockets) five to eight feet, or just behind the center of gravity of the loaded semitrailer. This is to insure that the trailer does not rock back. Actual center of gravity will relocate to the rear as the trailer is tilted up.



### CAUTION

**Do not allow the back semitrailer axle to leave the ground. This can result in damage to the semitrailer.**

6. Using the Trailer Tilt lever, raise the front of bed up to full tilt position reeling out winch cable as needed to keep slight tension on the cable (**See Table 3-2.**)
7. If the approach plate has not touched the ground, move the undercarriage forward until the approach plate touches the ground and starts supporting the trailer. Then alternate between moving the undercarriage forward while lowering the tilt angle and reeling in the winch cable. The object is to keep a part of the weight on the approach plate, and part of the weight on the wheels while lowering the tilt angle and keeping slight tension on the winch cable. Always use low load angle to unload powered products. To achieve low load angle, the undercarriage has to be all the way forward. The maximum load angle is only intended, if required, for unloading non-powered products and to transfer load to tractor. Transfer load to tractor by raising deck and moving axles toward rear until load is forward of rear axle, thus transferring load to tractor.



### WARNING

**Always use low load angle to load and unload powered products.**

### IMPORTANT

**Maximum angle is only intended if required for unloading non-powered products and to transfer load to tractor. Transfer load to tractor by raising deck and moving axles rearward until load is forward of rear axle, thus applying load to tractor.**

8. If load is non-powered, insure that the winch cable is firmly attached to the load and tension is on the cable. Tilt trailer according to **steps 5 through 7**, adjusting tension on winch cable as required. With winch cable firmly attached to load and sufficient tension on the cable so load securing devices can be safely removed, remove other load securing devices. Use the winch to assist the load down to end of approach plate. With end of load resting on ground, block load from rolling or sliding, if necessary. Disconnect the winch and move the trailer from under the load, allowing the load to move off trailer to the ground.
9. If powered load is secured to lower deck only, tilt semitrailer according to **step 7**. Make sure the trailer is tilted to the low load angle. Check that powered equipment parking brakes are set and winch cable hooked to powered equipment with sufficient tension so load securing devices can be removed. Remove safety secure devices. Take tension off winch cable and remove winch cable. Power load off the trailer.



### WARNING

**When removing load, insure that the load is steering straight so it does not maneuver off the side of the semitrailer. Failure to do so could result in damage to equipment, injury, or death.**

10. If powered load is secured to both upper and lower deck, attention is required before tilting the trailer. Adjust load securing devices to allow semitrailer to tilt and sufficiently secure load from movement while semitrailer is tilted to low load angle before tilting the semitrailer.
11. Before returning the semitrailer to transport position insure that there is sufficient distance between the load and the rear of the semitrailer so that the semitrailer does not hit the load when being folded back to transport position.



**CAUTION**

Before returning the semitrailer to transport position, insure that there is sufficient distance between the load and the rear of the semitrailer. Failure to do so may result in damage to the semitrailer and/or load.

12. Using the Trailer Tilt lever and Axle Control lever, alternate between tilting the front of the bed up to full tilt position and moving undercarriage to the rear as trailer wheels become unloaded. Keep part of the load on the wheels and part on the approach plate. Never move undercarriage so far to the rear that the approach plate is lifted off the ground when center of gravity of semitrailer and load is behind center of undercarriage. Never allow wheels to leave the ground while the trailer is tilted.
13. After the trailer is fully tilted and the undercarriage is as far back as possible without lifting the approach plate off the ground, fully lower bed tilt angle.
14. With bed tilt angle fully lowered, move undercarriage rearward to transport position. Hold Trailer Tilt lever in the down position until hydraulic system works against the bottomed out Hydraulic Tilt Cylinders (Approximately 2-5 seconds). Hold Axle Control lever in the transport position until hydraulic system works against the fully extended Hydraulic Axle Cylinder (Approximately 2-5 seconds).
15. Reel in winch cable and secure hook on upper deck.
16. Shut down hydraulic power system. If hydraulic engine package is installed, shut down the auxiliary hydraulic power engine following operating instructions in “Hydraulic Power Supply Engine Operation (Option)” on page 3-20.

### Panel Light (Standard)

The PANEL LIGHT SWITCH is on the control panel. It illuminates the control end.

### Work Light (Option)

The LIGHT SWITCH is on the control panel. It controls the optional work lights mounted on the bulkhead. The work lights illuminate the upper deck.

## Winch Controls



**DANGER**

1. The winch is not designed or intended to be used for lifting or moving people. Using it this way can cause serious injury or death.
  2. Never attempt to disengage the winch cable spool when the cable is under tension. The load can roll away. Serious injury or death can result if people are in the path of the rolling load.
  3. Failure to leave at least five winch cable wraps on the winch cable spool could allow the cable to come off the spool, resulting in serious personal injury or death.
1. The Winch Hydraulic lever is located on the driver’s side of the semitrailer (See Figure 3-4) under the outer frame beam. It is the second lever from the left and has three positions (See Table 3-4.)

WINCH HYDRAULIC LEVER	
<b>UP (PUSH IN)</b>	This position will cause the winch to reel cable onto the winch spool when the winch clutch handle is engaged.
<b>CENTER</b>	This is the neutral position. This position will not operate the winch.
<b>DOWN (PULL OUT)</b>	This position will cause the winch to reel cable off of the winch spool when the winch is engaged.

Table 3-4: Winch Hydraulic Lever



**WARNING**

Do not handle the winch cable when the winch is in the engage position. Hands or clothing could get caught in the cable and be pulled into the spool causing serious personal injury.

## Free Spool Clutch Operation (Warn Winch)

Warn Series XL winches are equipped with either a manual or air operated freespool clutch depending on the model.

1. The manual freespool clutch is operated by depressing the detent latch and turning the clutch lever as indicated on the winch label.
2. The air freespool clutch is operated by application of air pressure to the fitting supplied on the winch gearbox housing. Follow decal instruction for winch engage and disengage. The fitting is designed to accept 1/4" rigid plastic tubing.
  - a. To release the clutch (freespool operation), apply 50-120 psi air pressure to the air fitting.
  - b. To engage the clutch (winch operation), remove all air pressure (0 psi) from the air fitting.

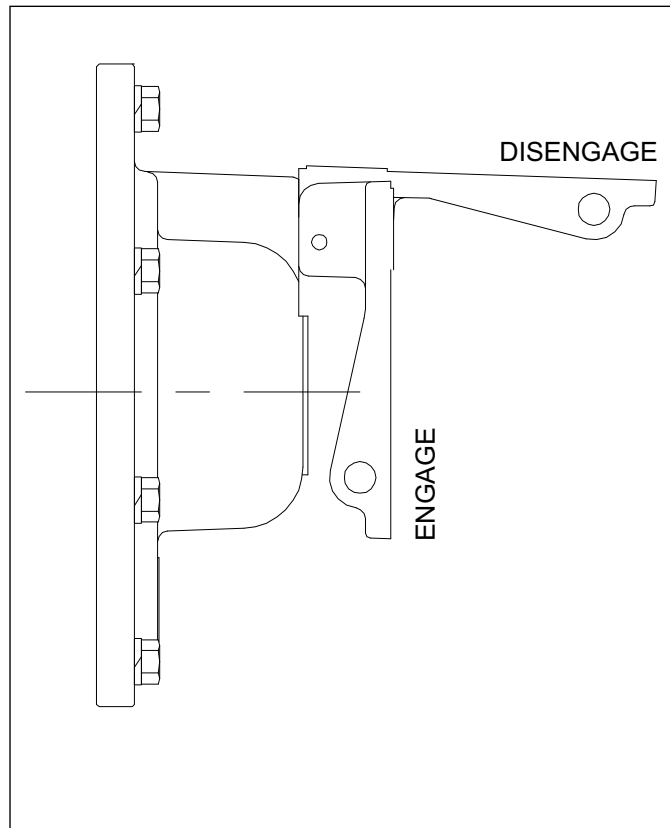


Figure 3-8: Manual Lever Kickout

## Free Spool Clutch Operation (DP Winch)

DP winches are equipped with either a manual or air operated freespool clutch depending on the model.

The manual freespool clutch is operated by pulling lever kickout (**See Figure 3-8.**)

3. The air freespool clutch is operated by application of air pressure to the fitting supplied on the winch gearbox housing (**See Figure 3-9.**) The fitting is designed to accept 1/4" rigid plastic tubing.
  - a. To release the clutch (freespool operation): Apply 60-400 psi air pressure to the air fitting.
  - b. To engage the clutch (winch operation): Remove all air pressure (0 psi) from the air fitting.

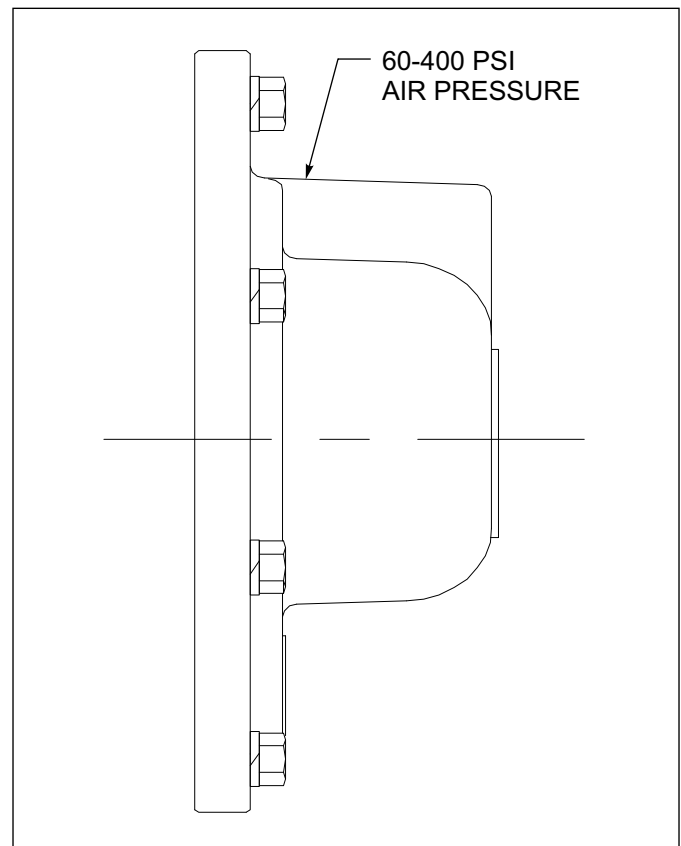


Figure 3-9: Air/Hydraulic Kickout

# Free Spool Clutch Operation (Braden)

- 1. The Winch Clutch handle (See Figure 3-10 and 3-11) is located on the right or curb-side end of the winch assembly. The function of the winch clutch handle is to engage or disengage the winch, allowing it to respond to the Winch Hydraulic lever.

WINCH CLUTCH HANDLE	
<b>DISENGAGE</b>	When the handle is placed in this position, the winch is disengaged. This allows the spool to “free-wheel” and the winch is not affected by use of the Winch Hydraulic lever.
<b>ENGAGE</b>	When the handle is placed in this position, the winch is engaged and cable may be spooled on or off the winch spool. The winch can now be controlled through the use of the Winch Hydraulic lever.

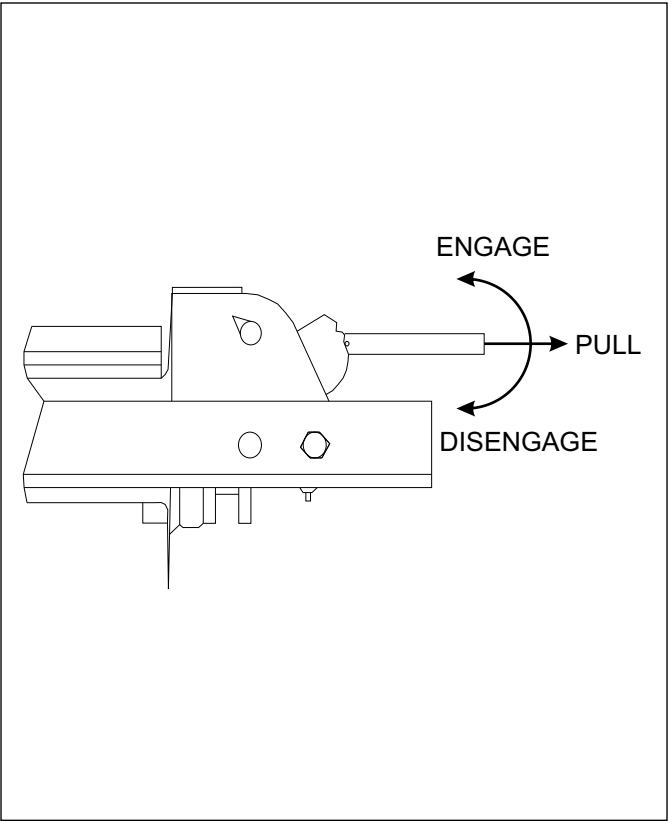


Figure 3-10: 12,000 LB. Winch Manual Clutch

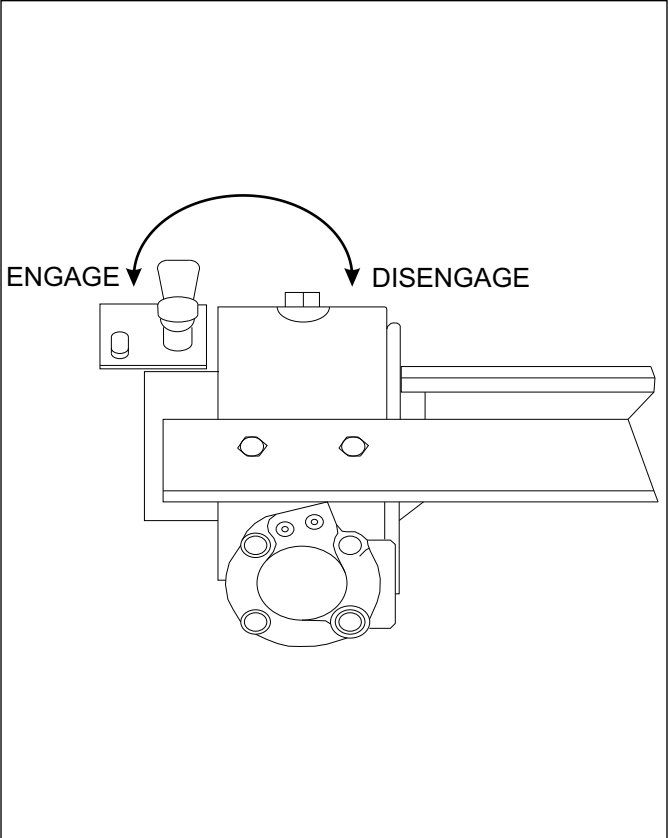


Figure 3-11: 20,000 LB. Winch Manual Clutch

## Dock Leveler Control Operation (Option)



### DANGER

When using dock levelers, the semitrailer must be kept level at all times. Do not lower the parking stands. Loads being placed on the semitrailer must be kept centered on the semitrailer. An unlevel semitrailer may allow a load to slide, causing injury or death to anyone near the load!



### DANGER

1. Do not operate dock levelers with undercarriage out of rear pockets.
2. Do not operate dock levelers with insufficient space on both sides of the semitrailer. Semitrailer will lean toward the side with the shortest cylinder. Persons or equipment can be crushed between semitrailer side and rigid objects.
3. Tractor park brakes must be set when using dock levelers.



### CAUTION

Be sure to check that the dock levelers are fully retracted before moving the semitrailer. Failure to retract the dock levelers before operating can cause severe damage to the semitrailer.

1. The Dock Leveler controls are located at the bottom left side of the control panel (See Figure 3-4.) There are two controls which adjust the height of the dock leveler cylinders. The front-most control adjusts the cylinder on the driver's or street side of the semitrailer. The rear-most control adjusts the cylinder on the curb-side of the semitrailer. Both controls have three positions.
2. If your semitrailer is equipped with optional dock leveler hydraulics, these may be used to level the rear of the semitrailer to a loading dock. The dock leveler pair is located at the rear of the trailer between the axles (See Figure 3-12.)
3. Park the semitrailer in front of the dock according to instructions in "Parking the Trailer" on page 3-7.

4. Engage hydraulic power supply. Use the Dock Leveler controls to raise the rear corners of the semitrailer as needed. Operate both controls at the same time. Push "IN" the Dock Leveler controls to raise the semitrailer deck (to extend the dock leveler legs). PULL "OUT" the Dock Leveler controls to lower the semitrailer deck (to retract the semitrailer legs) (See Table 3-5.) Use one control to level adjust the semitrailer bed.

DOCK LEVELER CONTROLS	
PULL OUT	When the control for either cylinder is pushed out, the corresponding dock leveler cylinder retracts and trailer bed is lowered.
CENTER	This position is neutral for either control. When either control is in this position, there is no effect on either cylinder.
PUSH IN	When the control for either cylinder is pushed in, the corresponding dock leveler cylinder extends and trailer bed is raised.

Table 3-5: Dock Leveler Controls

### IMPORTANT

Be sure to retract the dock levelers when finished. Pull "OUT" on the dock leveler controls - at the same time - to retract the dock leveler legs and lower the semitrailer bed. If the deck starts to become unlevel, use one control lever to level the deck.

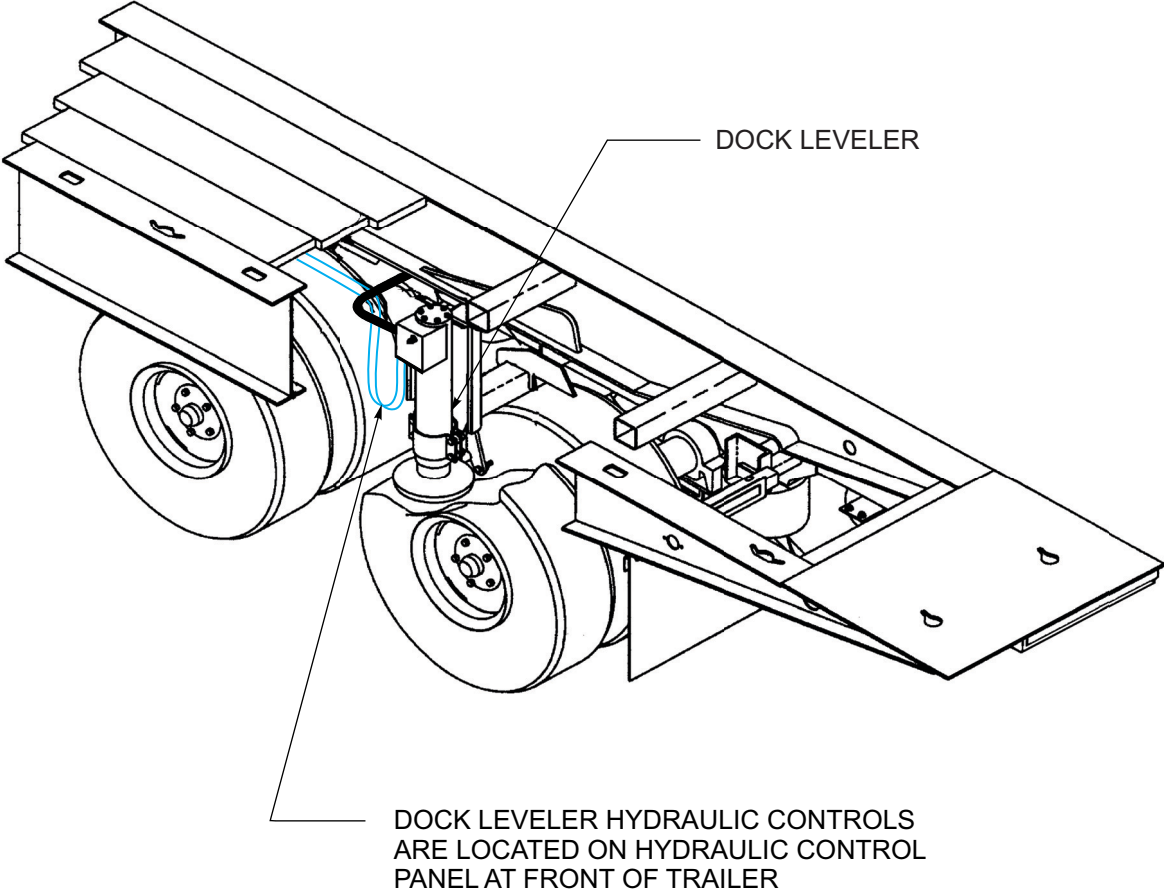


Figure 3-12: Dock Leveler Operation

# Hydraulic Power Supply Engine Operation (Option)

The Hydraulic Power Supply Engine system is used to power the hydraulic functions, should the tractor not be equipped with hydraulic hookups.

**IMPORTANT**

1. Check the following fluids before starting the engine package: engine oil, fuel supply, hydraulic oil. (Check oil level while semitrailer is not tilted. If semitrailer is tilted, the oil level in the tank will not read accurately.)
2. If the engine does not crank, check the following on the battery: charge fluid, terminals, and cables. Take corrective actions as needed.

 **CAUTION**

If the hydraulic fluid level is low during operation, the semitrailer may not operate correctly, resulting in damage to the semitrailer.

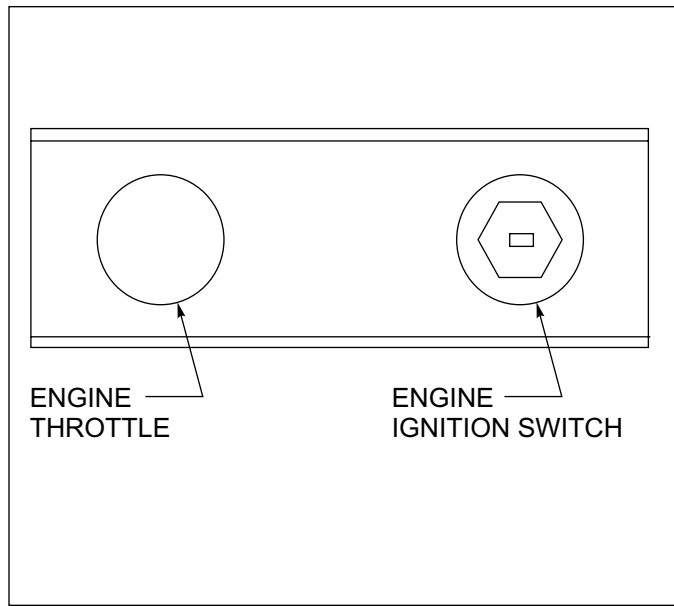


Figure 3-13: Engine Control Panel

1. The Engine Ignition Switch (See Figure 3-13) is located on the engine control panel on the driver's side of the semitrailer. Use the key to start and stop the Hydraulic Power Supply Engine. The Engine Ignition switch has three positions (See Table 3-6.)

ENGINE IGNITION SWITCH	
<b>OFF</b>	In this position, the power package engine does not run. The key can only be inserted or removed from this position.
<b>RUN</b>	In this position, the engine runs without activating the starter.
<b>START</b>	In this position, the starter cranks the power package engine, to start it. After the engine is started, release the key to the RUN position.

Table 3-6: Engine Ignition Switch

2. The Hydraulic Power Supply Engine throttle is located on the driver's side of the semitrailer. The Engine Throttle controls the speed at which the engine operates (See Figure 3-13.) It is a variable position control:

HYDRAULIC POWER SUPPLY ENGINE THROTTLE	
<b>FULL OUT</b>	In this position, the engine throttle is fully open, letting it run at full speed.
<b>FULL IN</b>	In this position, the engine throttle is closed, letting the engine run at a slow idle.

3. To start, pull the choke completely out and set the throttle to the MEDIUM IDLE position.
4. Turn the ignition key to the START position. The engine should crank and then start.

 **CAUTION**

Do not crank engine for more than 10 seconds. If engine does not start, consult the owner's manual supplied with the engine.

5. When the engine starts, release the key.
6. To adjust the speed, turn the throttle control in or out, as needed, until the engine runs smoothly at a speed capable of withstanding use of the hydraulic controls. The hydraulic controls should now be functional.
7. Before shutting it off, allow the engine to cool down by running at a slow idle for thirty seconds.
8. Once the engine is cool, turn or push the throttle completely in and turn the ignition switch key to the OFF position.



## Air Ride Operation

1. Trailer air pressure must be maintained above 90 PSI before operating. PROTECTION VALVES are used to maintain 65 PSI air brake pressure during suspension or remote system air loss.
2. The Model 440A tandem axle semitrailer is equipped with a ride control valve located on front axle. When moving the undercarriage from transport to load position, the front axle is raised off ground, causing suspension air bags to deflate achieving low load angle.



### CAUTION

**If suspension air loss should occur, completely deflate suspension and temporarily operate on the air springs internal rubber bumpers. Carefully proceed to the nearest semitrailer service facility. To deflate the air suspension, disconnect the lower connection on the linkage of the automatic air valves. Rotate the valve control arms down about 45° to exhaust the air. To restore to normal operation, simply reverse the procedure.**

3. The Model 455A triple axle semitrailer, with 10'-1" spread between front and rear axles is equipped with additional height control valves to adjust the suspension during loading and unloading operations. When moving the undercarriage from transport to load position, the undercarriage is tilted with the center axle air bags inflated and rear axle suspension air bags deflated to achieve low load angle. This function positions the center axle for added undercarriage support to the semitrailer and payload when tilted for loading/unloading.



### CAUTION

**Insure suspension air bags are inflated on all axles when moving undercarriage from load to transport position. Failure to do so can cause excessive tire wear.**

4. Different tractor fifth wheel heights may affect proper operation of the triple axle suspension air system. In the event front and rear axle suspension air bags are not inflated or feel soft by the time the undercarriage has reached transport position, adjustment to the front and rear axle control valve linkage may be required (**See “” on page 4-17.**)

## Bulkhead (Option)

Optional bulkheads may come with or without chain racks. To remove a bulkhead, disconnect the electrical harness (if work lights are present), remove retaining pins holding the bulkhead into the pockets on the semitrailer front and bolts and nuts attaching the bulkhead extensions and supports to the deck, and lift the bulkhead off (See Figure 3-14.)



**DANGER**

To avoid serious injury, all removable attachments must be firmly attached with fasteners provided at all times.

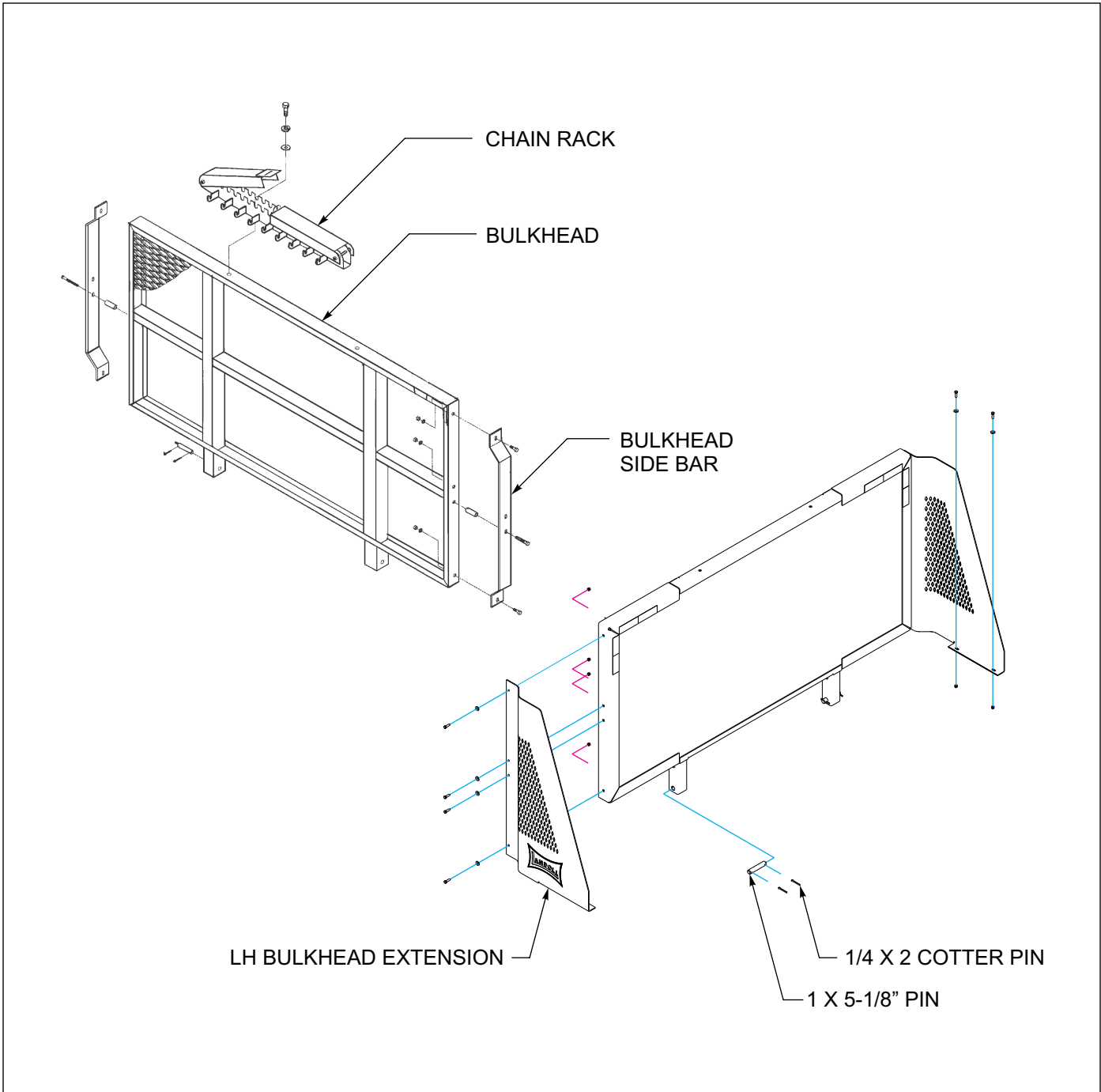
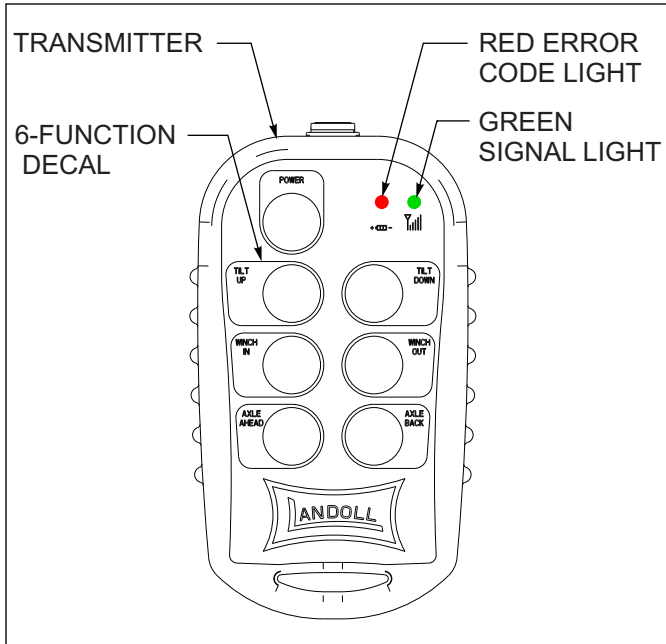


Figure 3-14: Bulkhead (Option)

## Remote Control (Option)

1. A wireless six function radio remote control is available (See Figure 3-15.)
2. The wireless radio remote has six momentary push button switches that operate the functions as labeled on the hand held remote.

The wireless radio remote has specifications listed in **Table 3-7**.



**Figure 3-15: Remote Control Transmitter**

3. TO OPERATE THE REMOTE:
  - a. Press and hold the POWER button for at least 2 seconds and release.
  - b. The transmitter is designed with a power saving feature which turns the transmitter off after 15 minutes if no buttons are pressed.
  - c. There are red and green LED's both on the keypad of the transmitter and inside the receiver case. The green LED will blink 2 times per second when the transmitter and receiver are communicating. It will blink 1 time per second if there is no communication (i.e. - no power to the receiver).
  - d. The red LED on the transmitter and in the receiver will blink if there is a shorted or open output. Refer to **Table 3-8** and **Table 3-9** and count the number of blinks to determine the output with the fault.
  - e. The transmitter's red LED blinks 1 time per second if the batteries are low and need to be replaced. To confirm a low battery condition, turn the receiver off and leave the transmitter on. If the transmitter red LED continues to blink, the battery is low and requires replacement. If the red LED blinks only when the receiver is on, there is a fault with one or more outputs, as stated above.
  - f. The red LED will stay on while charging and when the charge is completed the green LED will stay on.
  - g. It will take longer to charge if the transmitter is on during charging.

REMOTE SPECIFICATIONS	
RF	902-928 MHz FHSS 10mW
TEMPERATURE - RECEIVER	- 40° to 85° C
TEMPERATURE - TRANSMITTER	- 20° to 60° C
OUTPUT RATING	5 AMPS EACH (SOURCING) 20 AMP SYSTEM MAXIMUM
TRANSMITTER IP	- 66
POWER	3.7V LiPo BATTERY
BATTERY LIFE	30 - 40 HOURS CONTINUOUS

**Table 3-7: Remote Specifications**

TRANSMITTER ERROR CODE CHART	
ERROR CODE	PROBABLE CAUSE
1	LOW BATTERY
2	TILT DOWN FAULT
3	TILT UP FAULT
4	WINCH OUT FAULT
5	WINCH IN FAULT
6	AXLE BACK FAULT
7	AXLE AHEAD FAULT

**Table 3-8: Transmitter Error Code Chart**

<b>RECEIVER ERROR CODE CHART</b>	
<b>ERROR CODE</b>	<b>PROBABLE CAUSE</b>
1	RF COMMUNICATION PROBLEM
2	TILT DOWN FAULT
3	TILT UP FAULT
4	WINCH OUT FAULT
5	WINCH IN FAULT
6	AXLE BACK FAULT
7	AXLE AHEAD FAULT

**Table 3-9: Receiver Error Code Chart**

4. SYNCHRONIZING TRANSMITTER & RECEIVER:

**NOTE**

There are over 64,000 different addresses (id codes) available for each transmitter and receiver pair. Each transmitter and receiver pair is synchronized together at the factory. If a new transmitter is needed, synchronizing is required. Use the following procedure:

- a. With the transmitter off, press and hold the POWER button for >10 seconds until LED's blink, then release.
- b. With power applied, press the red button on the receiver for >5 seconds until LED's toggle.
- c. Wait for a few seconds until the green LED's begin to blink.
- d. Teach complete.

**Rear Impact Guard System**

Vehicle standards FMVSS No. 224, Rear Impact Protection, requires all 440A/455A Series trailers manufactured after January 26, 1998 shall be equipped with a rear impact guard certified by the manufacturer as meeting FMVSS No. 223, Rear Impact Guards. The guard, or bumper, (**See Figure 3-16**), meets the following requirements:

- minimum of 4 inches vertical height
- extend laterally to within 4 inches of the sides of the trailer
- ground clearance of no more than 22 inches
- placed no more than 12 inches from the rear of the trailer.
- capable to deflect 5 inches.

The standard also specifies minimum force and energy absorption requirements for the guard. A DOT decal certifies that the guard meets FMVSS No. 223 and 224 standards. The decal is placed **and must remain at all times** on the forward facing surface of the guard, 12 inches inboard of the curb side and of the guard. (**See Figure 3-16**) for location of decals.

Replace any component that does not allow the above minimum requirements to be met. Any hardware that holds the rear impact guard and becomes damaged or becomes loose shall be removed and replaced. The 3/4" grade 8 screws that hold the bumper energy pack shall be loctited and torqued to 280 ft-lbs.

**DANGER**

**Always check the condition of the rear impact guard system. If guard system has been damaged, it must be replaced. Failure to maintain guard system may result in injury or death to others.**

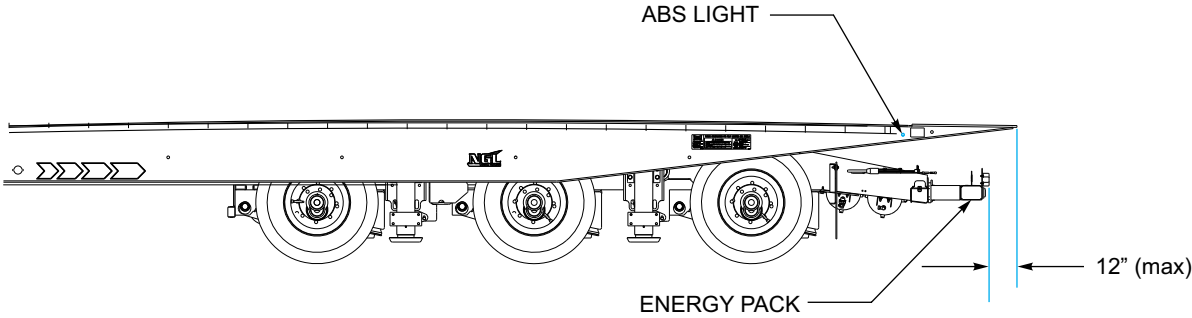
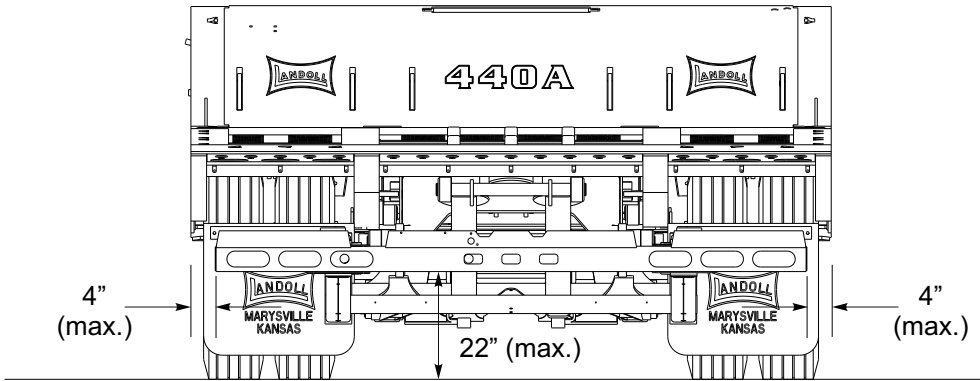
**Anti-Lock Brake System (ABS)**

Vehicle standards FMVSS No. 121, anti-lock brake system requires all trailers manufactured after March 1, 1998 with air brake systems to have ABS. Each trailer (including a trailer converter dolly) shall be equipped with an anti-lock brake system that controls the wheels of at least one axle of the trailer. Wheels on other axles of the trailer may be indirectly controlled by the anti-lock brake system (**See Figure 3-16.**)

NHTSA Docket 92-29; notice 11 published September 23, 1996 specifies the ABS warning light be mounted near the rear of the left side of the trailer

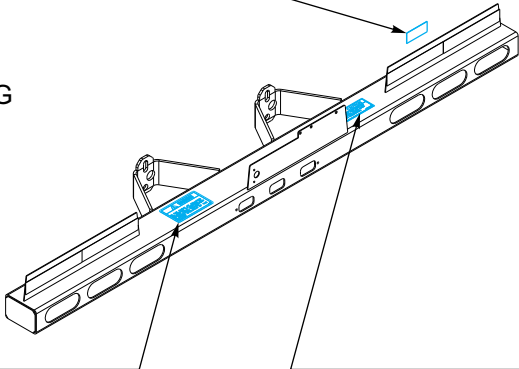
- Decal or lens marking with ABS to identify the lamp.
- The lamp must illuminate one time whenever power is supplied to the ABS. At any time the light remains on when power is supplied there is a malfunction to the system.

The ABS used on the semitrailer is a commercial unit. Single axle trailers use a two sensor, one modulator system. Tandem and triple axle semitrailers use a four sensor, two modulator system. Sensors are located at each hub of the front and rear axles, and each modulator controls one side of the trailer.



LANDOLL CORPORATION  
1900 NORTH  
MARYSVILLE, KS 66508-0111  
MANUFACTURED IN: \_\_\_\_\_ (MO/YR)  
DOT 103055

CERTIFICATION DECAL TO BE LOCATED ON FORWARD FACING SURFACE, 12 INCHES FROM CURB END OF GUARD.



**WARNING**  
IN THE EVENT OF COLLISION OR DAMAGE TO BUMPER OR ENERGY PACK, REPLACEMENT IS MANDATORY BEFORE FURTHER OPERATION OF THE TRAILER.  
103056

WARNING DECAL TO BE LOCATED ON STREETSIDE BUMPER ARM

**CAUTION**  
DO NOT HOOK WINCH LINE TO BUMPER. BUMPER MOVES WITH UNDERCARRIAGE.  
3-573-010031

DECAL TO BE LOCATED ON REARWARD CURBSIDE OF REAR IMPACT GUARD AS SHOWN

Figure 3-16: Rear Impact Guard and Anti-Lock Brake System

The ABS is constant powered by the auxiliary (blue) circuit, center pin on the semitrailer seven-way electrical connector. This circuit must be hot whenever the tractor keyswitch is on. This circuit must also not be used to power any additional electrical devices while the semitrailer is moving forward. However, additional devices such as remote controls may be powered from the auxiliary circuit while the semitrailer is stationary. Backup power to the ABS is supplied through the stop lamp (red) circuit, No. 4 pin on the seven-way connector, and ground is supplied by the white wire, No. 1 pin.



### CAUTION

**The auxiliary (blue) circuit is for powering the semitrailer ABS. This circuit must be hot when the tractor key switch is on. No other electrical devices may be powered by this circuit while the semitrailer is moving forward.**

Malfunction in the ABS is signaled by illumination of the ABS warning lamp located at the left rear side of the semitrailer. The warning lamp will come on and stay on while power is supplied to the ABS on a moving vehicle, if there is a fault. If a fault in the ABS exists, normal braking will still occur, but wheels may lock. The semitrailer is still operable, but the system should be serviced as soon as possible.



### CAUTION

**If a fault exists in the semitrailer ABS, normal braking will occur, but wheels may lock. Service the ABS as soon as possible.**

## Cold Weather Operation

1. Cold weather causes lubricants to congeal, insulation and rubber parts to become hard, which may lead to problems found in bearings, electrical systems, and air systems. Moisture attracted by warm parts can condense, collect and freeze to immobilize equipment. The truck/semitrailer operator must always be alert for indicators of cold weather malfunctions.
2. During any extended stop period, neither the service nor parking brake should be used as they can freeze up. Use wheel chocks to secure the vehicle from moving.
3. Check all structural fasteners, air system fittings, gaskets, seals and bearings for looseness that can develop due to contraction with cold. Do not over-tighten.
4. Check tire inflation. Tire inflation decreases when the temperature decreases.
5. Periodically check drain holes in the bottom of the relay valve (for trailers with air brakes) and storage compartments. They must be open at all times to avoid moisture entrapment.

## Hot Weather Operation

1. Hot weather operation can create certain problems which must be checked. Expansion of parts result in tightening of bearings, fasteners, and moving parts. Failure of gaskets or seals can occur.
2. The semitrailer should be parked in the shade if possible. Long exposure to the sun will shorten service life of rubber components (i.e., tires, light and hose grommets, hoses, etc.) and paint life.
3. Check tire pressure early in the day before beginning operations while the tire is cool. Replace all valve stem caps after checking.
4. If the area is extremely humid, protect electrical terminals with ignition insulation spray. Coat paint and bare metal surfaces with an appropriate protective sealer.
5. The use of a filter-lubricator in the towing vehicle's air delivery system is recommended.

## Maintenance and Lubrication

---

### General



#### **DANGER**

Proceed with extreme caution. Failure to heed notice may cause injury or death to the person and/or damage to product and property.

- **DO NOT** operate the trailer with defective, broken or missing parts.
- **DO NOT** operate if both extension pin locks are not fully engaged into the pin lock sockets.
- **ALWAYS** chock trailer wheels to prevent movement of the trailer.

#### **IMPORTANT**

Landoll Company, LLC. Is not responsible for any equipment that is not properly maintained. Troubleshooting, Repairing and Servicing must be performed by a trained technician. Requires complex electrical system troubleshooting and repair. It is highly recommended to contact the Landoll Trailer Service Department at [Landoll.com](http://Landoll.com) or phone 800-446-5175 / 888-522-3634.

For service and repair parts, simply record the equipment serial and model number from the identification plate and contact the Landoll Trailer Service Department at [Landoll.com](http://Landoll.com) or phone 800-446-5175 / 888-522-3634 for assistance.

This section contains instructions necessary for proper maintenance of the equipment. This equipment is designed for years of service with minimal maintenance. However, proper maintenance is important for durability and safe operation and is an owner/user responsibility.

A well-planned preventive maintenance & inspection program is important to ensure safe and proper function of the equipment. Determine the cause of the broken, damaged or faulty part and get it repaired immediately.

Landoll Company, LLC. is not responsible for any equipment that is not properly maintained.

The operator has the most responsibility for the overall condition of the equipment. They become the most familiar with the feel, function, performance, sight, smell and sound of the equipment. When findings, faults or symptoms are found, they must effectively communicate this in writing or verbally to the technician for repair.

The technician has the responsibility of correcting the findings, faults or symptoms reported by the operator. To include correcting the findings, faults or symptoms found periodically during the technician inspections and services. The technician also has the responsibility to report any findings, faults, symptoms, causes and corrections to their supervisor.

### Cold Weather Tips

**Cold weather may cause lubricants to thicken and possible solidify, rubber to harden, and metal to contract.**

**The moisture attracted by warm parts may condense, collect, and freeze causing immobilized components.**

**Which may lead to problems found in bearings, electrical systems, and air systems.**

1. During any extended stop period, neither the service nor parking brake should be used as they can freeze up. Use wheel chocks to secure the vehicle from moving.
2. Check all structural fasteners, air system fittings, gaskets, seals and bearings for looseness that can develop due to contraction with cold. **DO NOT OVER-TIGHTEN.**
3. Check tire inflation. Tire inflation decreases when the temperature decreases.
4. Periodically check drain holes in the bottom of the relay valve (for trailers with air brakes) and storage compartments. They must be open at all times to avoid moisture entrapment.

### Hot Weather Tips

Hot weather may cause lubricants to become extremely thin, rubber to soften, and metal to expand.

Moisture attracted by hot parts may condense, collect, and rust causing immobilized components.

1. Hot weather operation can create certain problems which must be checked. Expansion of parts results in tightening of bearings, fasteners, and moving parts. Failure of gaskets or seals can occur.
2. The trailer should be parked in the shade if possible. Long exposure to the sun will shorten service life of rubber components (i.e. tires, light and hose grommets, hoses, etc.) and paint life.
3. Check tire pressure early in the day before beginning operations while the tire is cool. Replace all valve stem caps after checking.
4. If the area is extremely humid, protect electrical terminals with ignition insulation spray. Clean, prime and paint bare metal surfaces.
5. The use of a filter-lubricator in the tractor's air delivery system is recommended.

### Maintenance Schedule

Trailer maintenance includes periodic inspection and lubrication.

See Trailer Maintenance Schedule on Page 4-7 for recommended maintenance and lubrication tasks by time interval and accumulated mileage (use whichever occurs first).

See Hydraulic Engine Maintenance Schedule (OPTION) on Page 4-9 for the recommended maintenance tasks for the hydraulic engine package.

### Cleaning



#### WARNING

Proceed with caution. Failure to heed warning may cause injury to person and/or damage product and property.

- Paint thinner and other solvents are flammable and toxic to eyes, skin, and respiratory tract.
- Avoid skin and eye contact.
- Good general ventilation is normally adequate.
- Keep away from open flames or other combustible items.

1. Wash trailer to remove all accumulated dirt and grime.
2. Use any mineral spirits paint thinner (or its equivalent) to remove grease and oil from all parts of the trailer. Rinse degreasing solution off with cold water.
  - DO NOT use paint thinner to clean any rubber components such as hoses, suspension air bags, and bushings. The paint thinner will dry out the rubber and cause it to deteriorate.
3. Inspect trailer for cause of any reported troubles.
4. Scrape, sand, prime, and repaint areas where finish is missing or where there is evidence of corrosion.
5. Replace any missing or illegible decals. Replace any missing or damaged reflective tape.
6. See Troubleshooting Guide on Page 5-1 for any trailer system not functioning correctly, or where wear, distortion, or breakage can be found. Administer "REMEDY" according to right-hand column of Troubleshooting guide.
7. After disassembling any components, thoroughly clean dirt and old lubricant from all parts.
  - DO NOT use a wire brush on any bearing parts or surfaces. Use a natural or synthetic bristle brush.
  - DO NOT use compressed air, or spin bearing parts when cleaning. These practices can throw solvents, dirt, or metal particles into your eyes.
  - Dry clean parts with lint free, clean, soft absorbent, cloth or paper. Wash and dry hands.
8. Inspect seals, seal wiping surfaces, bearing caps, and bearing cones for wear, pitting, chipping, or other damage.



## Inspection

These inspections look for broken, defective, and leaking components, structural damage, and functionality of the equipment.

### Fluid Leak Classification

Fluid is lost and possible contamination in a leaking system and may cause poor function and premature failure within the components.

Leaks may be visible by signs of wetness appearing around components seals, gaskets, fittings, and hose/line connections. Leaking hoses may also show signs of staining that also indicates leakage.

- If any fittings or connections are loose, tighten.
- If any items are broken or defective report it.
- Any signs of a leaking fuel system or brake system, **DO NOT** operate and report it to your supervisor or maintenance immediately.
- Report any Class 3 leak to your supervisor or maintenance immediately and **DO NOT** operate.
- Class 1 or 2 leaks may be operated but closely monitored and the fluid level checked more frequently.
- Report any leak to your supervisor or maintenance.

#### Fluid Leak Classifications:

- **Class 1:** Signs of wetness or stains that do not form drops.
- **Class 2:** Signs of drops forming but not dripping.
- **Class 3:** Signs of drops dripping.

### Inspection Overview

1. Inspect the trailer, and trailer parts periodically for damage or signs of pending failure, **See Trailer Maintenance Schedule on Page 4-7.**
  - Damaged or broken parts must be repaired or replaced at once.
  - Determine the cause of any binding or hydraulic leakage at once.
  - Correct the problem before using the tractor or trailer.
2. Use the **Troubleshooting Guide on Page 5-1** to check for “SYMPTOMS” and “PROBLEMS” of any trailer system not functioning correctly, or where wear, distortion, or breakage are found. Administer “REMEDY” according to the right-hand column of the troubleshooting section.

## Lubrication

During inspections of the trailer, if lubricants are dirty, those parts should be cleaned with paint thinner, dried, and then lubricated immediately.

Dirt in the lubricant forms an abrasive compound that will wear parts rapidly.

Lubrication Points see:

- Lubrication Points on Page 4-5.

Lubrication Numbers and Specifications see:

- Lubricant Specifications on Page 4-6.

Maintenance Schedule see:

- Trailer Maintenance Schedule on Page 4-7.
- Trailer Maintenance Schedule Notes on Page 4-8.
- Hydraulic Engine Maintenance Schedule (OPTION) on Page 4-9.

## Repair Parts

An operator and parts manual come with the trailer and stored in the manual holder tube located on the side of the gooseneck control box from the factory.

- These manuals do receive updates. Which may be determined by the revision number of the manual.
  - The revision number is the last four digits of the manual’s part number.
  - Before 1 January 2023, the revision number format was the month/year (example: 0422).
  - After 1 January 2023, the revision number format changed to the year/month (example: 2301).
- **When re-ordering new or updated manuals, DO NOT include the last four digits of the manual, it may be out of date.**
  - Each manual has its own part number and revision, which may be found at the bottom of the pages (example: F-1234-2401).
  - Both manuals are listed on the backside of the front cover at the bottom of the Instructions for Ordering Parts page.
  - The back cover of each manual lists the replacement part number for that specific manual.

**These manuals only cover the most common parts and options.**

**If a particular part or option is needed:**

- **Record the equipment VIN/NIV number from the identification plate and contact your locally authorized Landoll Dealer.**

The operator's manual covers the operation, troubleshooting, maintenance procedures and torque limits needed during equipment service and repairs.

It also lists additional manufacturer references to assist in the troubleshooting, servicing, and repairing of outsourced components applied to the equipment at the factory.

Manufacturer references are also available through your locally authorized Landoll Dealer.

The parts manual displays mechanical, air, electrical, hydraulic components (with part numbers), and schematical diagrams.

It is highly recommended that all service and repair parts are acquired through an authorized Landoll Dealer.

- Simply record the equipment VIN/NIV number from the identification plate, build the parts list, and contact a dealer near you.
- To find that dealer, please visit [landoll.com](http://landoll.com), or call 1-800-423-4320 for assistance.

Dealers Only: Parts, Trailer Manuals, and Manufacturer References are available online through the Dealer Portal at [dealer.landoll.com](http://dealer.landoll.com).

## Structural Defects

If any structural defect is found, the fault must be corrected before further use of the vehicle.

Continued usage could endanger the trailer, its load, personnel, traffic, and properties.

If any cracks or breaks are found, contact the Landoll factory for repairs. Inspect the deck daily for broken or missing planks or missing attachments.

Replace any defective parts promptly.

## Wood Deck Care

Sunlight, weather, and the loads being hauled will damage the wooden deck and surface sealer.

Applying a good water sealer that contains a UV inhibitor to all visible surfaces of the deck wood will help protect the wood. Using a hand held roller or hand held pump sprayer, apply every 6 months (recommend spring and fall).

More frequent applications may be required due to environmental conditions and load damage.

## Tools and Equipment

Tools, equipment, and personnel normally found in a facility capable of making truck repairs will be adequate for maintenance of the trailer. No other special tools or equipment should be necessary.

## Torque Values

See **Specific Bolt Torques on Page 2-2** or **General Torque Specifications (rev. 4/97) on Page 2-3** for standard hardware and hydraulic fittings. They are intended as a guide for average applications involving typical stresses and mechanical surfaces. Values are based on the physical limitations of clean, plated, and lubricated hardware. In all cases, when an individual torque value is specified, it takes priority over values given in this table. Replace original fasteners with hardware of equal grade.

# Lubrication & Maintenance Schedule

## Lubrication Points

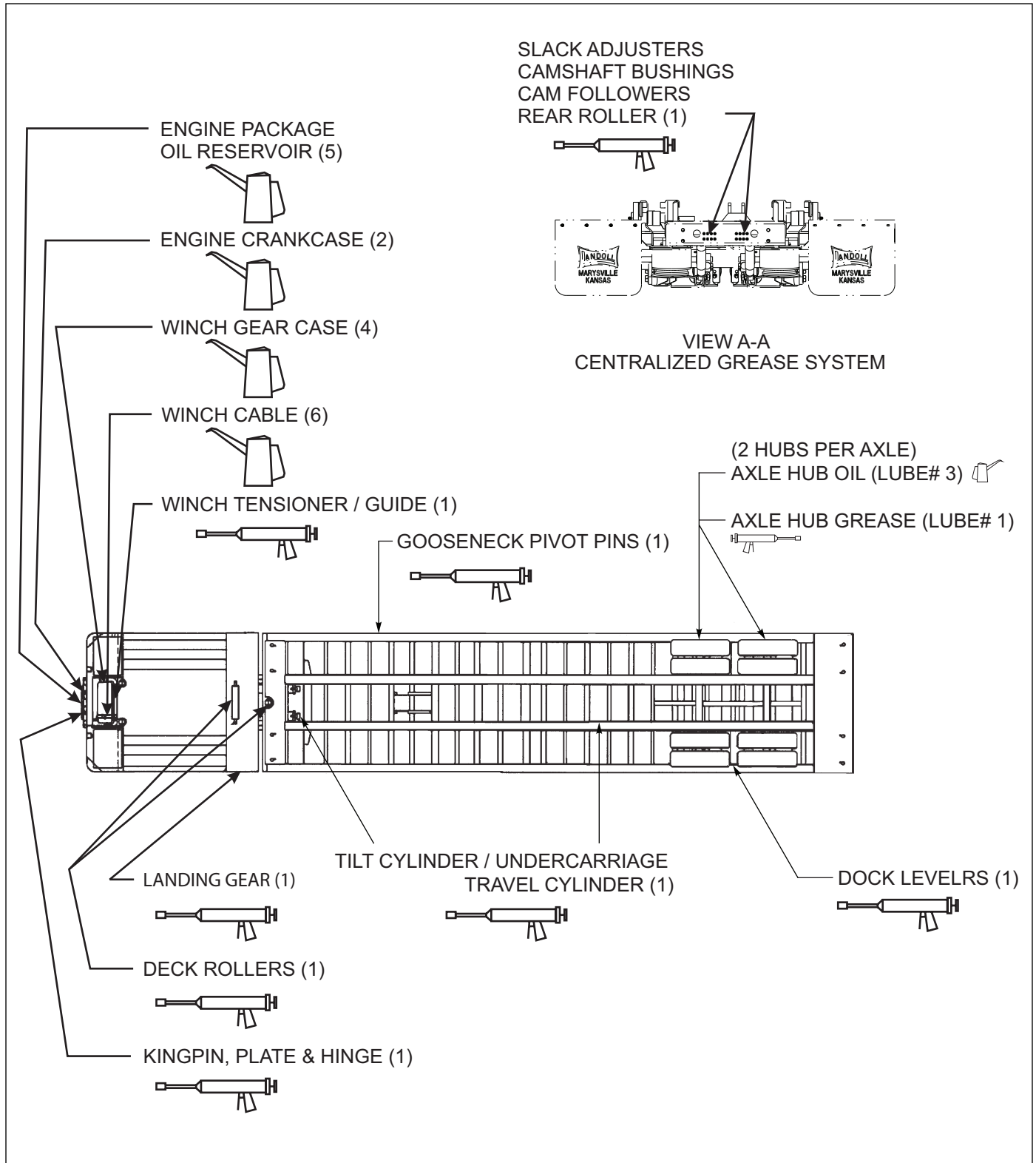


Figure 4-1: Lubrication Points

<b>Lubricant Specifications</b>			<b>EXPECTED TEMPERATURES</b>	
			<b>ABOVE 15° F (-9° C)</b>	<b>BELOW 15° F (-9° C)</b>
<b>LUBE #</b>	<b>LUBRICATION</b>	<b>CAPACITIES</b>	<b>GRADE</b>	<b>GRADE</b>
1	GREASE, MULTI PURPOSE	N/A	LITHIUM MULTI -PURPOSE EP2 NLGI 2	LITHIUM MULTI -PURPOSE EP2 NLGI 2
2	OIL, ENGINE	CRANKCASE (ENGINE OPTION) (1.7 - 2 QT) (1.6-1.9 L)	SAE 10W-30	SAE 5W-20 / 5W-30
3	OIL, GEAR	AXLE HUBS	SAE 80W-90	SAE 80W-90
4	OIL, GEAR	WINCH CASE (OPTION)	SAE 85W-140	SAE 75W-90
5	OIL, HYDRAULIC	RESEVOIR ENGINE PACK OPTION (30 GAL) (113 L)  WET KIT OPTION (35 GAL) (132 L)	ISO GRADE 32	ISO GRADE 32
6	OIL, MULTI PURPOSE	WINCH CABLE (OPTION)	RUST & OXIDATION PROHIBITING ISO 32	RUST & OXIDATION PROHIBITING ISO 32
7	WATER, SEALANT	WOODEN DECK	WATER SEALER W/UV PROTECTION THOMPSON'S, WATER SEAL, BOILED LINSEED OIL, PENOFIN, WOOD GUARD	
8	OIL, AIR TOOL	AIR LUBRICATING SYSTEM	AIR TOOL OIL, STANDARD GRADE	AIR TOOL OIL, WINTER GRADE

Table provided for general use.

NOTES:

Trailer Maintenance Schedule							
KEY	C-Clean, I-Inspect, L-Lubricate, R-Replace, T-Tighten/Adjust Torque						
ITEM	1st 5 Hours or 50 Miles (80 Km)	Weekly or 500 Miles (805 Km)	Monthly or 2,000 Miles (3219 Km)	6 Months or 12,000 Miles (19,312 Km)	Yearly or 25,000 Miles (40,234 Km)	LUBE #	NOTES
LIGHTS	I	I					A
WIRING & CONNECTIONS	I		I				A
FASTENERS	I,T		I,T		I,T		A,B
WOOD DECK BOARDS	I	I		APPLY	APPLY	7	A,J
KINGPIN, PLATE, HINGE & LATCH	I		C,I,L			1	A,C
GOOSENECK TILT CYLINDER PINS	I		C,I,L			1	A,C
LANDING GEAR	I		C,I,L			1	A,C
RAMP, FRONT SLOPE (OPTION)	I	I	I,C			1	A,C
DOCK LEVELERS	I	I	C,I,L			1	A,H
AIR TANKS DRAINED	DAILY						A
AIR SYSTEM FILTER & LUBRICATOR (OPTION)		I, L	I,R (EVERY 3 MONTHS)	I,R	I,R	8	A,K
AIR SYSTEM BRAKE PROTECTION VALVE FILTERS		I	I,R (EVERY 3 MONTHS)	I,R	I,R		A,K
BRAKE AIR SYSTEM	I	I	I				A
RELAY VALVES					I,C		A
BRAKE ADJ & WEAR	I		I,T				A,D
CENTRALIZED GREASE SYSTEM SLACK ADJUSTERS CAMSHAFT BUSHINGS UNDERCARRIAGE ROLLERS	I	I,L				1	A,C
NYLATRON HOLD-DOWN AND GLIDE WEAR STRIPS	I		I	C,I		1	A,G
AXLE HUB OIL (STANDARD)	I	I,L			C,I,R	3	A,C
WHEEL BEARINGS, OIL	I				C,I,T		A,B,F
AXLE HUB GREASE (OPTION)	I	I		C,I,L		1	A,C
WHEEL BEARINGS, GREASE	I			C,I,T			A,B,F
TIRE INFLATION & WEAR	I	I					A,E
WHEEL LUG NUTS	I,T	I	I,T				A,B
SUSPENSION ALIGNMENT & FASTENERS	I		I	I,T	I,T		A,B
AIR RIDE SUSPENSION			I,T		I,T		A
UNDERCARRIAGE TRAVEL CYLINDER PINS	I		C,I,L			1	A,C
HYDRAULIC OIL <i>(Fill as needed)</i>	I	I			R	5	A,C
HYDRAULIC FILTER	R			R			A
HOSES <i>(Replace as needed)</i>	I		I		I		A
ENGINE (OPTION)						2	A,C,H,I
WINCH, CABLE (OPTION)	I		I,L			6	A,C,H,I
WINCH, TENSIONER / GUIDE / DECK ROLLERS (OPTION)	I		I,L			1	A,C,H

## Trailer Maintenance Schedule Notes

**NOTES:**

- A. Perform at the time shown. Shorten service intervals when operating in severe or dirty conditions.
- B. See torque specifications on **Pages 2-2 to Page 2-4.**
- C. See recommended lubricant on **Page 4-6.**
- D. See Brake System Maintenance Procedures on **Page 4-23.**
- E. For Tire Pressures, see Serial Number Plate on the front of the semitrailer.
- F. See Wheel Bearing Lubrication and Adjustment Procedures on **Page 4-31.**
- G. Nylatron Hold-Down and Glide Wear Strips are self lubricating. If chatter or squealing occurs lightly apply grease.
- H. Inspect prior to and after each use.
- I. See Engine Maintenance Schedule on **Page 4-9.** For Engine / Winch Operation and Maintenance procedures resource the Engine / Winch Manufactures References. Parts are available through an authorized Landoll Dealer.
- J. Apply every 6 months, recommended time Spring and Fall, **See Page 4-4.**
- K. Replace every 3 months, unless air flow has been substantially reduced.

Table provided for general use.

**NOTES:**




**DANGER**

Proceed with extreme caution. Failure to heed notice may cause injury or death to the person and/or damage to product and property.

- Breathing exhaust gases can result in severe injury or death.
- DO NOT use air cleaner, exhaust elbow, or connecting parts as a supporting step.
- Damage to these, and connecting parts, can cause an exhaust leak.

**Hydraulic Engine Maintenance Schedule (OPTION)**

KEY	C-Clean, I-Inspect, L-Lubricate, R-Replace, T-Tighten/Adjust Torque					
	Daily	Weekly or 25 Hours	Yearly or 100 Hours	150 Hours	200 Hours	500 Hours
ENGINE OIL LEVEL (Fill as needed, DO NOT OVERFILL)	I		*R			
FUEL LEVEL (Fill as needed)	I					
FUEL SYSTEM COMPONENTS (Replace items as needed)	I					
COOLING SYSTEM / AREA (Clear obstructions)	*I,C		*I,C			
AIR CLEANER HOUSING & COMPONENTS, SHROUDS, EQUIPMENT COVERS AND GUARDS	*I,C,T		*I,C			
SPARK ARRESTOR (If equipped)	I					
AIR FILTER & PRECLEANER OR INNER ELEMENT		*I,C	*R			
OIL COOLER FINS (If equipped)			*I,C			
HEAVY DUTY FILTER MINDER (If equipped)				I		
FUEL FILTER					*R	
OIL FILTER					*R	
SPARK PLUGS						*R
CRANKSHAFT SPLINE LUBED (Performed by an Authorized Dealer Only)						*L

**NOTES:**

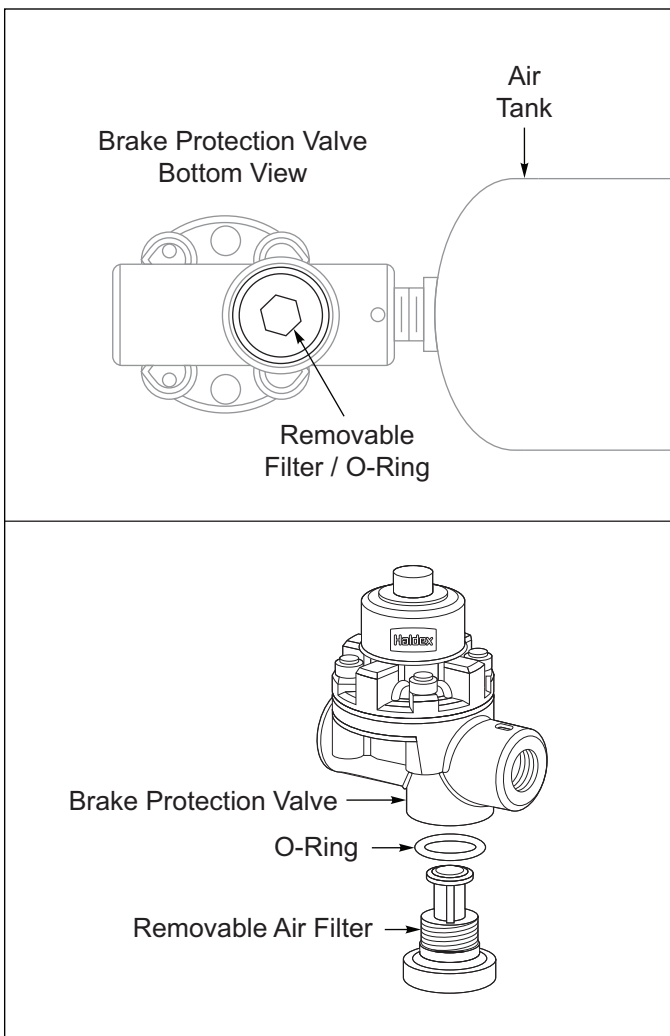
\*PERFORM THESE MAINTENANCE PROCEDURES MORE FREQUENTLY UNDER EXTREMELY DUSTY, DIRTY CONDITIONS. For Operation and Maintenance procedures resource the Manufactures References. Parts are available through an authorized Landoll Dealer.

# Air System Maintenance

## Air System Maintenance Schedule

See **Parts Manual** for mechanical, air, electrical and hydraulic components and diagrams.

1. The air tanks must be completely drained daily.
  - Moisture in the system causes rust and corrosion to build inside the components and may lead to system failure.
2. Inspect the air system weekly.
  - If the air system lubricator option is installed, check and refill weekly.
3. Check the brake protection valve filters every 3 months or when the air flow becomes restricted, **See Figure 4-2.**
  - The filters may be cleaned or replaced.




**Figure 4-2: Brake Protection Valve Filter**



Page Intentionally Blank

## Fifth Wheel Latch Adjustment

1. To adjust fifth wheel latch assembly, support fifth wheel plate and adjust rear nut until the cam just touches the flat surface on the latch, **See Figure 4-3.**
2. Then tighten the front nut compressing the spring to approximately 10-3/8" or until there is sufficient tension to hold the fifth wheel plate in place.


**WARNING**

1. Too much tension will cause excessive wear on the release and possibly bend the latch rod.
2. Stand clear of fifth wheel plate when prying it down. Falling plate could cause serious injury.

### IMPORTANT

To check the tension on the latch, place a pry bar between the fifth wheel plate and the backing plate and pry down until the latch release. If it releases too easily, tighten the spring tension. If you are unable to trip it, back off the spring tension until you are able to trip the release.

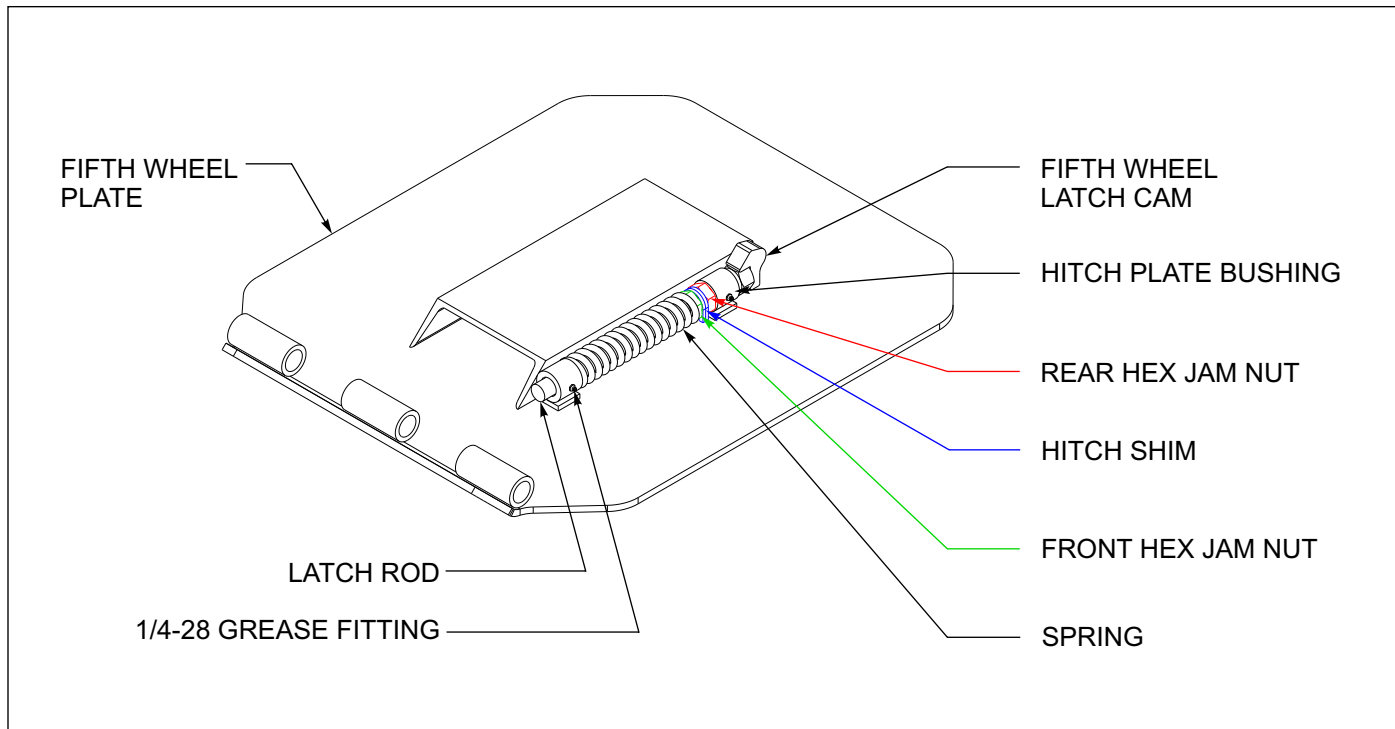


Figure 4-3: Fifth Wheel Latch Adjustment

## Frame Slide Bumpers (455 ONLY)

The Frame Slide Bumpers are only mounted on the 455 undercarriage only. These provide a soft wearable surface to separate the frame from the undercarriage during elevated movement. If these bumpers exceed 1/2 inch of wear, the frame will contact the rear bumper assembly causing damage.

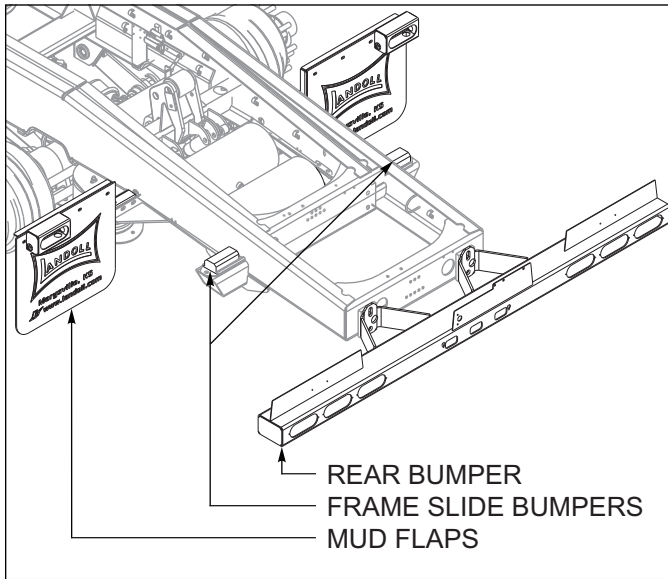


Figure 4-4: Frame Slide Bumpers

### Frame Slide Bumper Removal

1. Park trailer on level ground and leave in transport position to allow access to the frame slide bumper assembly.
2. Remove the lock nut and remove the hex screw. **See Figure 4-5.**
3. Slide the frame slide bumper out of the holding bracket.

### Inspect and Repair

1. Inspect Frame Slide Bumper Nut and Screw for bends, breaks, burrs, cracks, dents, wear, signs of fatigue or brittle, tread condition and visual defects. Replace if defective, **See Repair Parts on Page 4-3**
2. Inspect Frame Slide Bumper Nut and Screw for corrosion, dirt, grease, and rust. **See Cleaning on Page 4-2.**
3. Inspect Frame Slide Bumper for bends, breaks, burrs, chips, cracks, dents, pits, wear, distortion, signs of fatigued or brittle and visual defects. Verify the bumper is not worn more than an 1/2 inch. Use the 45 degree chamfers on each side of the bumper as reference, **See Figure 4-5.** Replace if defective, **See Repair Parts on Page 4-3.**
4. Inspect Frame Slide Bumper for corrosion, dirt, grease. **See Cleaning on Page 4-2.**
5. Inspect Frame Slide Bumper Holding Bracket for bends, burrs, cracks, dents, wear, distortion, and visual defects. Repair if defective, **See Structural Defects on Page 4-4.**
1. Inspect Frame Slide Bumper Holding Bracket for corrosion, dirt, rust, grease. **See Cleaning on Page 4-2.**

### Frame Slide Bumper Install

1. DO NOT apply any type of lubricant.
2. Push frame slide bumper into the holding bracket, **See Figure 4-5.**
3. Install hex screw and lock nut. **See General Torque Specifications (rev. 4/97) on Page 2-3.**

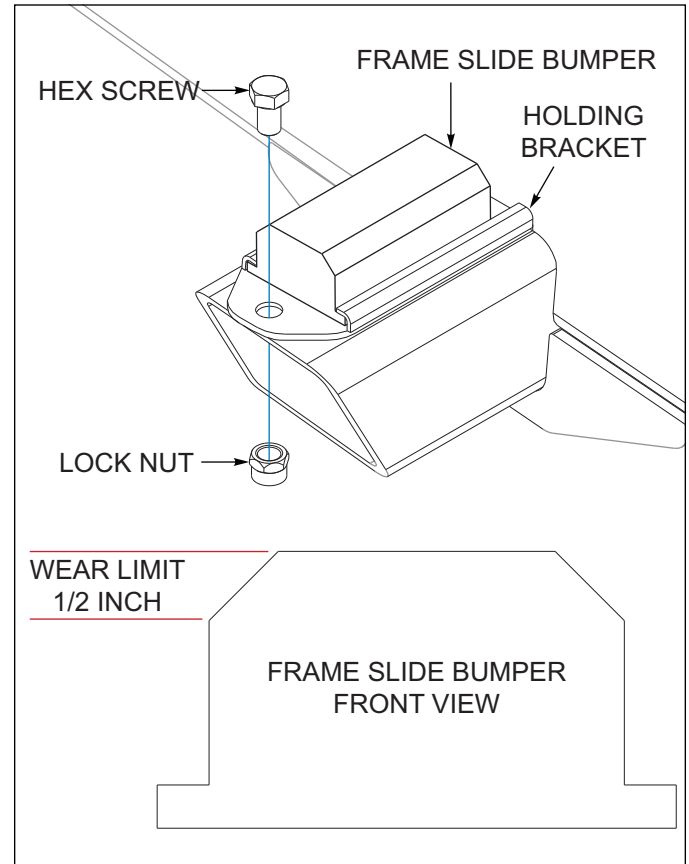


Figure 4-5: Slide Bumper Wear Limit

### Hydraulic Maintenance



**Proceed with caution. Failure to heed warning may cause injury to person and/or damage to product and property.**

- **DO NOT** operate if the fuel system or brake system is leaking. Report it immediately to your supervisor or maintenance.
- **ALWAYS** report any Class 3 leak to your supervisor or maintenance immediately.

Tractor must be equipped with a relief valve set at a maximum 2500 psi (17,237 kpa).

This trailer requires hydraulic power to operate, supplied by either the tractor or a trailer mounted hydraulic power pack.

Maintenance of the hydraulic system consists of inspection and minor servicing.

Fluid is lost and possible contamination in a leaking system and may cause poor function and premature failure within the components.

### Fluid Leak Classification

- Any signs of a leaking fuel system or brake system, **DO NOT** operate and report it to your supervisor or maintenance immediately.
- Report any Class 3 leak to your supervisor or maintenance immediately and **DO NOT** operate.
- Class 1 or 2 leaks may be operated but closely monitored and the fluid level checked more frequently.
- Report any leak to your supervisor or maintenance.

Leaks may be visible by signs of wetness appearing around components seals, gaskets, fittings, and hose/line connections. Leaking hoses may also show signs of staining that also indicates leakage.

- If any fittings or connections are loose, tighten.
- If any items are broken or defective report it.

### Fluid Leak Classifications

- **Class 1:** Signs of wetness or stains that do not form drops.
- **Class 2:** Signs of drops forming but not dripping.
- **Class 3:** Signs of drops dripping.

### Hydraulic Maintenance Schedule

See **Parts Manual** for mechanical, air, electrical and hydraulic components and diagrams.

1. The hydraulic fluid level in the reservoir must be checked weekly, **See Trailer Maintenance Schedule on Page 4-7.**

- **Unless a leak/leaks develop, classify it, report it and monitor it more frequently.**
  - a. Retract all hydraulic cylinders.
  - b. Hydraulic pump shut off.
  - c. Operate the hydraulic control levers to release any line pressure back to the reservoir.
  - d. Check fluid level in the reservoir. **DO NOT** overfill the reservoir, allow for fluid heat expansion.
  - e. Use only recommended hydraulic fluid, **See Lubricant Specifications on Page 4-6.**
- 2. Inspect the hydraulic system weekly.
  - a. Start the hydraulic pump
  - b. Operate each hydraulic control lever and observe for any leaks and the functionality of the system.
  - c. Place the trailer back into travel position.
  - d. Shut off the hydraulic pump.
- 3. Change hydraulic filter every 6 months or 12,000 miles, whichever ever comes first, **See Trailer Maintenance Schedule on Page 4-7.**
  - Under adverse conditions, change more frequently.

### Hydraulic Engine Package

1. Check the hydraulic oil level weekly, or after any leakage. **See Page 4-6** for proper hydraulic oil. Check oil level with the undercarriage cylinders extended and all other hydraulic cylinders in the retracted position and with the engine stopped, **See Hydraulic Engine Maintenance Schedule (OPTION) on Page 4-9.**
2. Check hoses weekly for cracks or leaks. If a valve or line leaks, it should be replaced immediately.
3. Check the engine oil each time before using. Oil level should be maintained between the "L" and "F" marks on the oil dip stick. For further maintenance procedures and proper lubrication specifications, please refer to the engine owner's manual that was supplied with the hydraulic engine package.
4. Replace hydraulic filter with new filter.
5. Use the fuel recommended for the engine package installed on your semitrailer.



**WARNING**

If more oil than specified is sent to dock leveler valve, damage to dock levelers and personal injury can occur. If less oil than specified is sent to dock leveler, they will not operate or operation will be erratic.

## Electrical System

1. Maintenance of the electrical system consists of inspection and minor servicing. Any wire, connection or electrical component showing signs of corrosion, wear, breakage or unraveling must be repaired or replaced.
2. Frayed or unraveling wire must have the defective section removed and replaced with wire of the same color and gauge. Seal all connections and insulate.
3. Corroded terminals must have the corrosion removed, source of corrosion neutralized and the terminals resealed, protected, and insulated.
4. Fuse or circuit breaker burn-out or blow-out usually indicates an electrical short-circuit, although a fuse can occasionally fail from vibration. Insert a second fuse or reset the breaker. If this fuse immediately burns out or the breaker trips, locate the cause of the electrical short and repair.
5. A light that repeatedly burns-out usually indicates a loose connection, poor system ground, or a malfunctioning voltage regulator. Locate the source of the problem and repair. System grounds must be grounded to bare metal surfaces. Paint, grease, wax, and other coatings act as insulators. Replacement lamps must be equivalent to the factory installed lamp.

## Suspension Maintenance

### Air Ride Height Adjustment



**WARNING**

1. Not following proper installation and adjustment procedures can result in broken shock absorbers, burst air bags and/or over height problems. This potentially hazardous situation could result in death or serious injury.
2. **DO NOT** adjust by loosening the 1/4 inch Adjusting Lock Nut and Bolt. This procedure may cause damage to the valve and require replacement. Contact Landoll Service Department for detailed instructions on Suspension Ride Height Adjustment.

**IMPORTANT**

This manual does not cover the suspension ride height installation or adjustment procedures, due to the setup steps variation of the different trailer frames. For proper ride height installation and adjustment, simply record the equipment VIN/NIV number from the identification plate and contact the Landoll Trailer Service Department. Please visit <https://landoll.com/contact-us/service-contacts/landoll-trailer-service/> or call 1-800-446-5175 for

**NOTE**

See *Parts Manual* for mechanical, air, electrical and hydraulic components and diagrams.

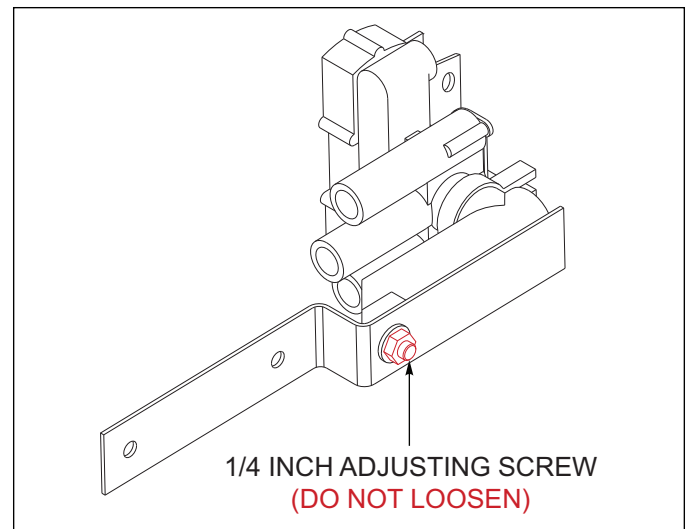


Figure 4-6: Height Control Valve

## Air Ride Suspension

1. (See Figures 4-7 and 4-8) for Tandem and Triple Axle Air Ride Suspension drawings.
2. Physically check all nuts, bolts, and air line fittings for proper torque (See **Specific Bolt Torques on Page 2-2.**).
3. Check all other suspension components for any sign of damage, looseness, wear or cracks.
4. With trailer on level surface and air pressure in excess of 65 psi, all air springs should be of equal firmness. The height control valve on right side of front axle controls all air springs on tandem axle suspensions.

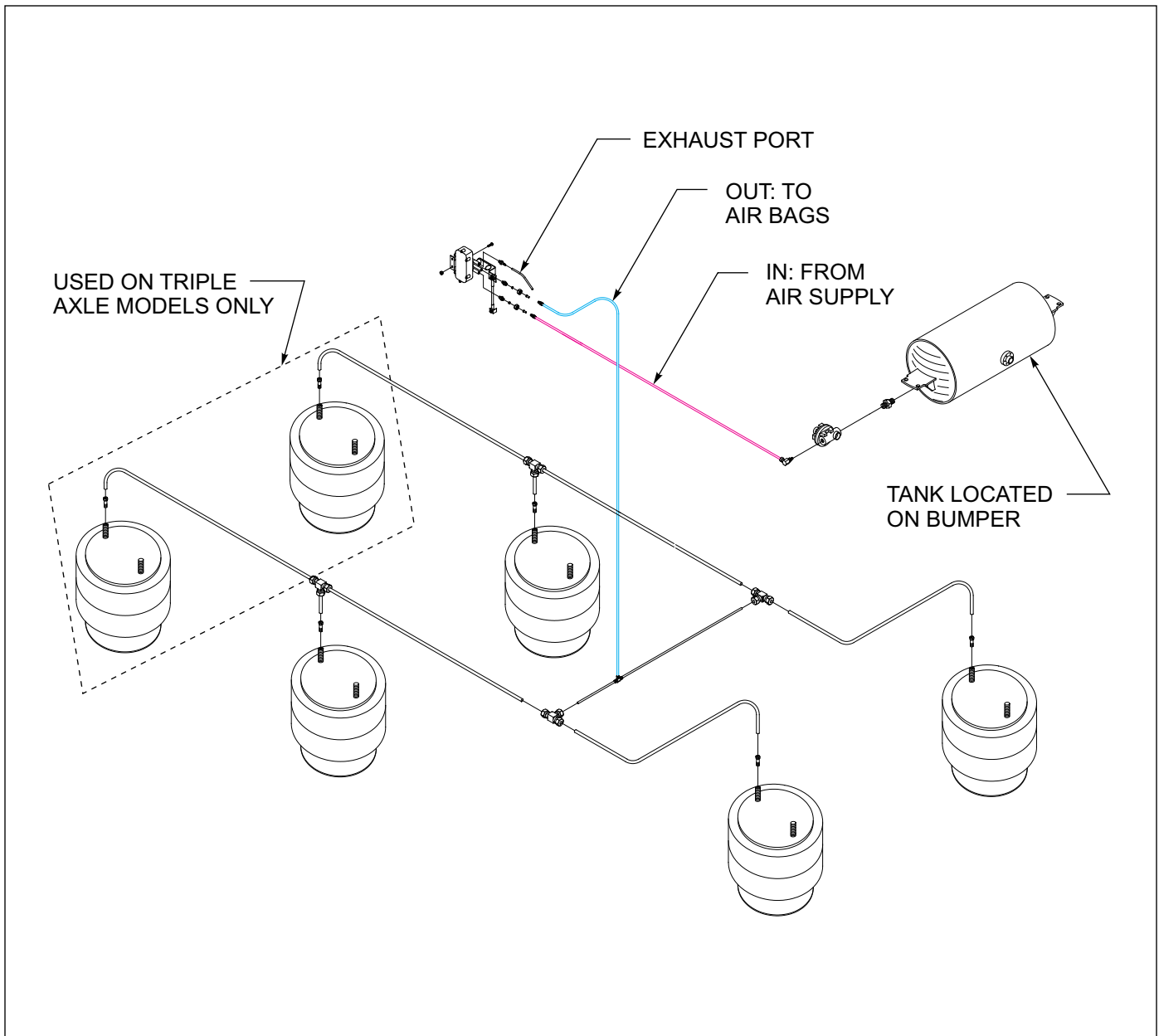


Figure 4-7: Tandem Axle Air Ride Suspension System

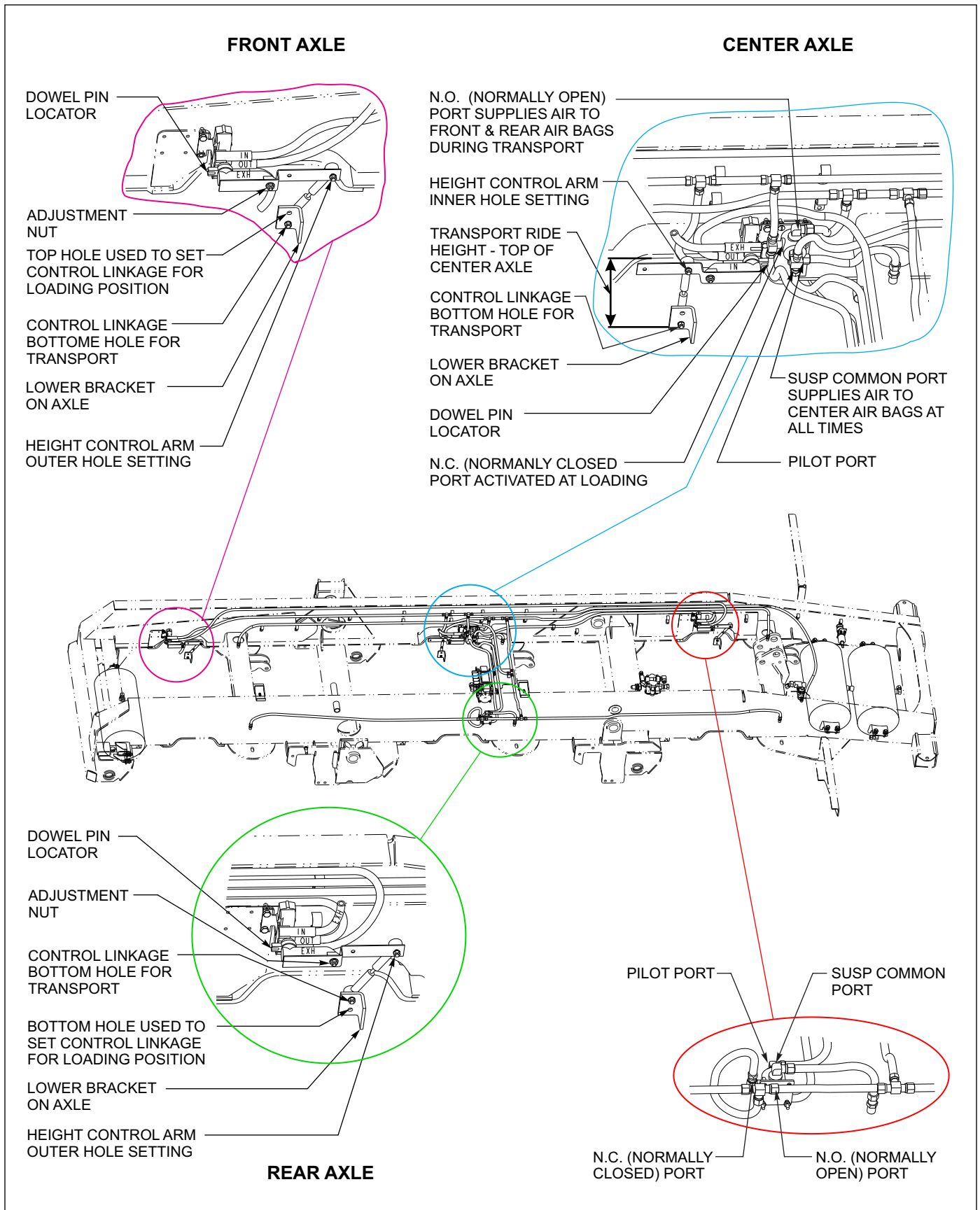


Figure 4-8: Triple Axle Air Ride Suspension System

# Alignment

## Wheel Alignment



**DANGER**

To prevent a life threatening accident:

1. Support trailer and undercarriage so tires are off the ground.
2. Support the trailer and undercarriage on jack stands with sufficient capacity to support the total weight of the trailer and any load which it may be carrying.

When trailer tires show signs of scuffing, feather-edging or uneven wear, examine the trailer for damaged suspension (frame, shocks, linkage, etc.), axle, wheel bearings and wheels. Proper wheel alignment and wheel bearing adjustment is essential for proper tire wear. The simplest form of checking wheel alignment "toe" is by running the trailer over a "SCUFF GAUGE". A scuff gauge reading of 16 feet or less per mile is considered satisfactory. If a scuff gauge is not readily available, or edge wear on one side of a tire is occurring signifying positive or negative camber, alignment can be checked as follows:

1. Remove wheel, hub and bearing assemblies.
2. Place a 3-point axle gauge against the front side of the axle, and adjust each axle gauge point to the axle. (Double point end against the inner and outer wheel bearing surfaces of the spindle being checked and the other point on the inner bearing surface on the other spindle **(See Figure 4-9.)**)
3. Move the axle gauge and place against the back side of the axle. If either of the points of double point end fails to touch the axle surface, a bent spindle is evident. A point gap of .015" or more is considered excessive tire "toe" and the axle must be replaced **(See Figure 4-9.)**
4. Follow the same procedures as in **steps 2 and 3**, except place the axle gauge above and below the axle. If gauge point gap is found, the axle has positive or negative camber. The trailer axle has no camber from the factory. If it is found to have positive or negative camber, axle replacement is necessary for examples of camber **(See Figure 4-10.)**

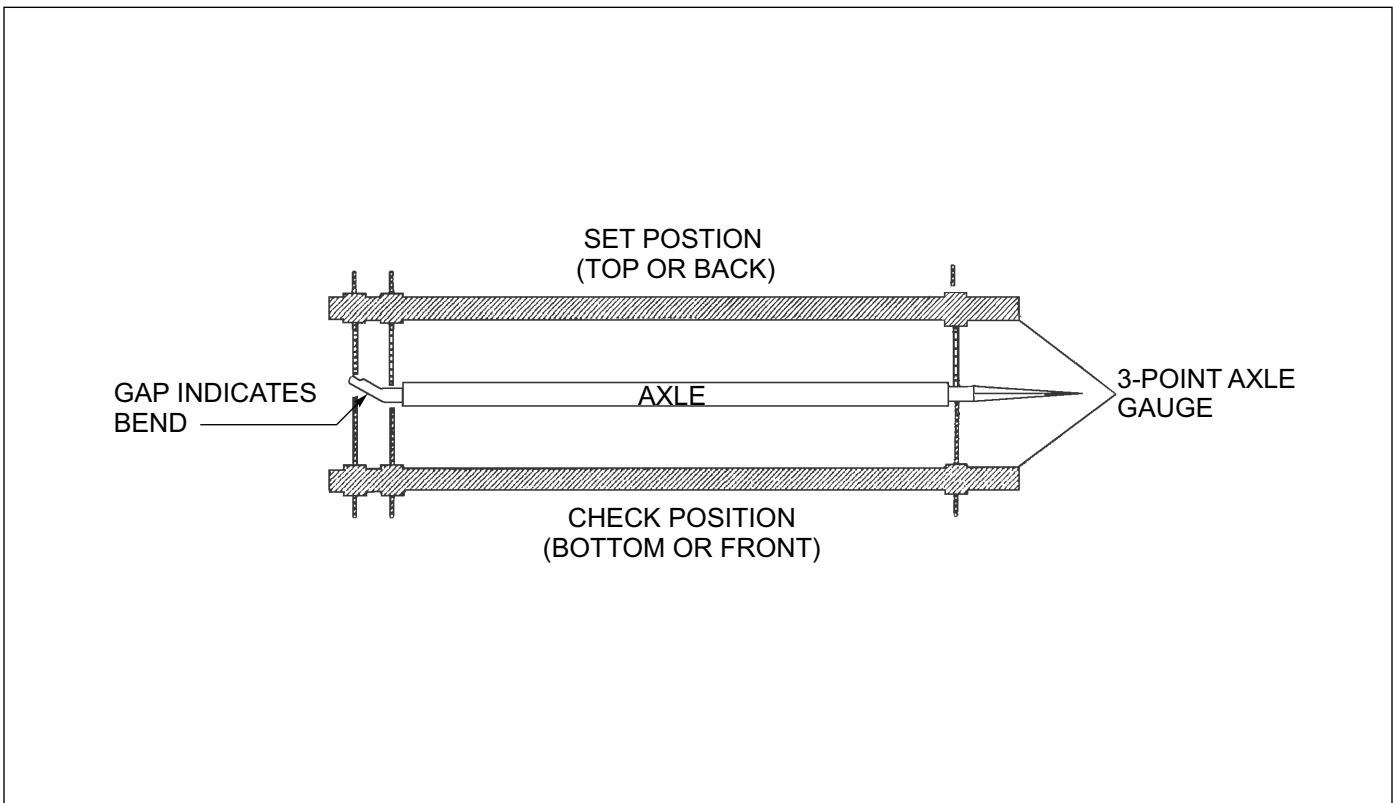


Figure 4-9: Checking Axle for Bend



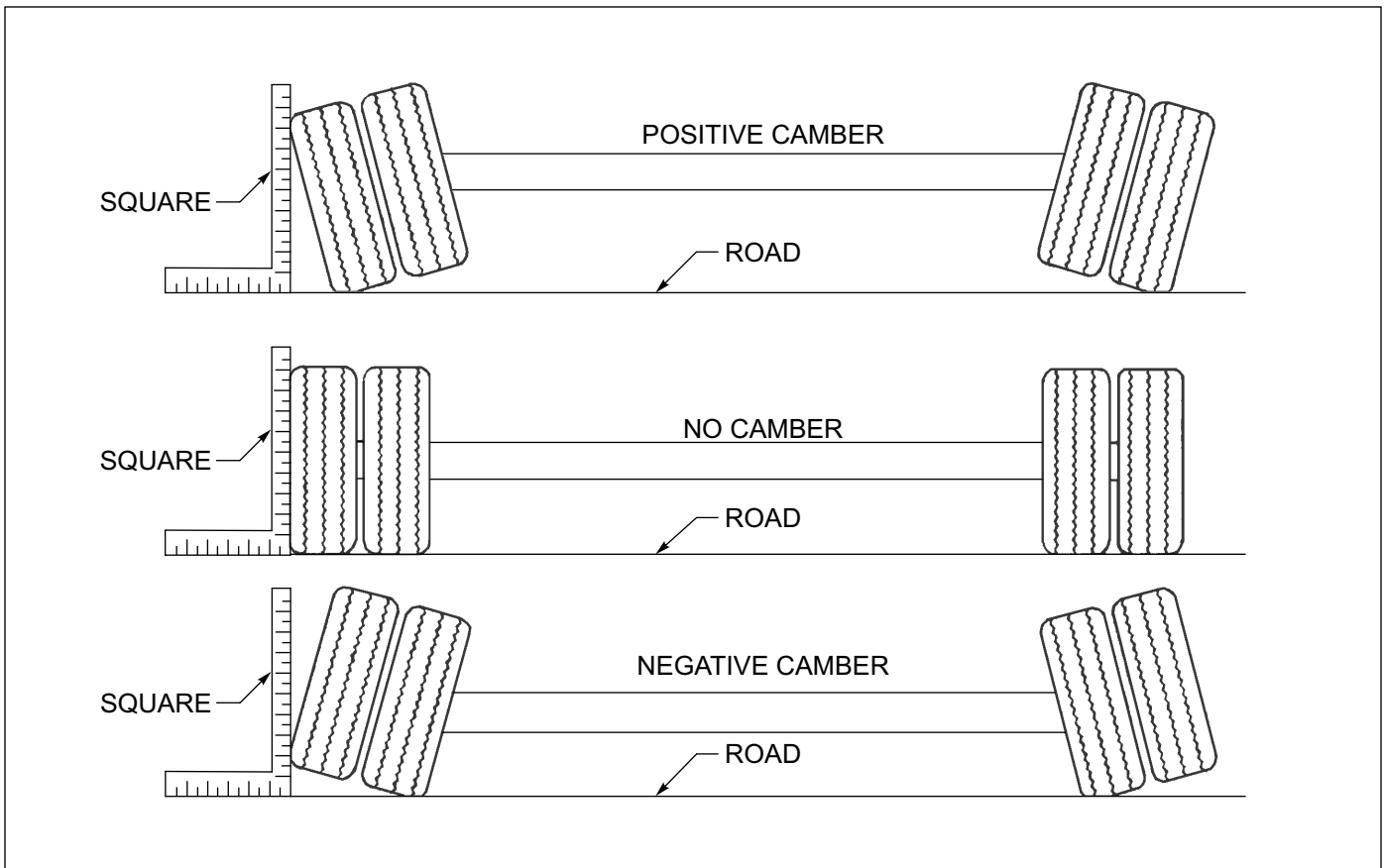


Figure 4-10: Examples of Camber

## Axle Alignment

### IMPORTANT

Proper axle-to-kingpin alignment is necessary to obtain straight tracking. If axle alignment is off, “dog-tracking” occurs. “Dog tracking” means the rear of the vehicle will angle, appearing to travel sideways, with its rear end off to one side.

Check alignment manually or by using a trailer alignment machine. In either case, a thorough inspection of the complete suspension must be performed and all defects corrected before aligning.

### Alignment, Air Ride Trailer 1st Axle Procedure

### IMPORTANT

It is highly recommended to contact an authorized Landoll Service Center for servicing and repair.

The air ride suspension is aligned at the factory and should not need re-alignment, until suspension maintenance requires it.

1. Position trailer on a firm and level surface. Eliminate any suspension binding or restrictions due to sharp turns or unusual maneuvers. Make sure that the undercarriage is in the rear most position.
2. Uncouple the tractor from the trailer. If needed, jack up the front of the trailer to allow measurement under the trailer.
3. Inspect the suspension for serviceability. Replace parts as required before aligning.
4. Suspend a plumb bob from the center of the kingpin and set at axle center height.
5. Measure **Curbside (D)** from the plumb bob to the 1st axle center. Measure **Streetside (D1)** from the plumb bob to the 1st axle center. **Curbside (D)** should be about 1/8 in (3.18 mm) shorter than **Streetside (D1)**, See Figure 4-12.

### 6. Align if measurement requires:

- a. 1-1/8 in Pivot Bolts - Loosen pivot bolt lock nuts and rotate eccentric pivot bolts clockwise or counter-clockwise to adjust. Repeat Steps 5-6 until measurement is achieved, **See Figure 4-11.**
  - b. 7/8 in Pivot Bolts - Break welds if present between hanger mounts/eccentric collars and pivot lock nuts/jam nuts. Loosen jam nuts if installed. Loosen lock nuts. Rotate eccentric pivot bolts clockwise or counter-clockwise to adjust. Repeat Steps 5 through 6 until measurement is achieved, **See Figure 4-11.**
7. Tighten and torque suspension pivot bolts and lock nuts, **See Specific Bolt Torques on Page 2-2.**
  8. 7/8 in Pivot Bolts ONLY - Install new jam nuts if damaged or not present. Tighten and torque jam nuts to 150 ft-lbs (205Nm), **See Specific Bolt Torques on Page 2-2.**

#### **IMPORTANT**

**DO NOT tack weld Dexter suspension pivoting hardware.**

9. SAF-Holland Only: Tack weld the inner nuts to the eccentric alignment blocks.

## Alignment, Air Ride Trailer 2nd & 3rd Axle Procedure

#### **IMPORTANT**

**It is highly recommended to contact an authorized Landoll Service Center for servicing and repair.**

**The air ride suspension is aligned at the factory and should not need re-alignment, until suspension maintenance requires.**

1. Align the 1st axle using the method outlined in **Alignment, Air Ride Trailer 1st Axle Procedure.**
2. Measure from 1st axle center to the trailer 2nd axle center on the curbside then the streetside. Measurements should be the same. Use (Y) and (Y1) as reference, **See Figure 4-12.**

### 3. Align if measurement require:

- a. 1-1/8 in Pivot Bolts - Loosen pivot bolt lock nuts and rotate eccentric pivot bolts clockwise or counterclockwise to adjust. Repeat Steps 5 through 6 until measurement is achieved, **See Figure 4-11.**
  - b. 7/8 in Pivot Bolts - Break welds if present between hanger mounts/eccentric collars and pivot lock nuts/jam nuts. Loosen jam nuts if installed. Loosen lock nuts. Rotate eccentric pivot bolts clockwise or counterclockwise to adjust. Repeat Steps 5 through 6 until measurement is achieved, **See Figure 4-11.**
4. Tighten and torque suspension pivot bolts and lock nuts, **See Specific Bolt Torques on Page 2-2.**
  5. 7/8 in Pivot Bolts ONLY - Install new jam nuts if damaged or not present. Tighten and torque jam nuts to 150 ft-lbs (205Nm), **See Specific Bolt Torques on Page 2-2.**

#### **IMPORTANT**

**DO NOT tack weld Dexter suspension pivoting hardware.**

6. SAF-Holland Only: Tack weld the inner nuts to the eccentric alignment blocks.
7. If additional trailer axles are available, use the same procedures performed on the previous axle aligned and repeat steps 2 through 6.

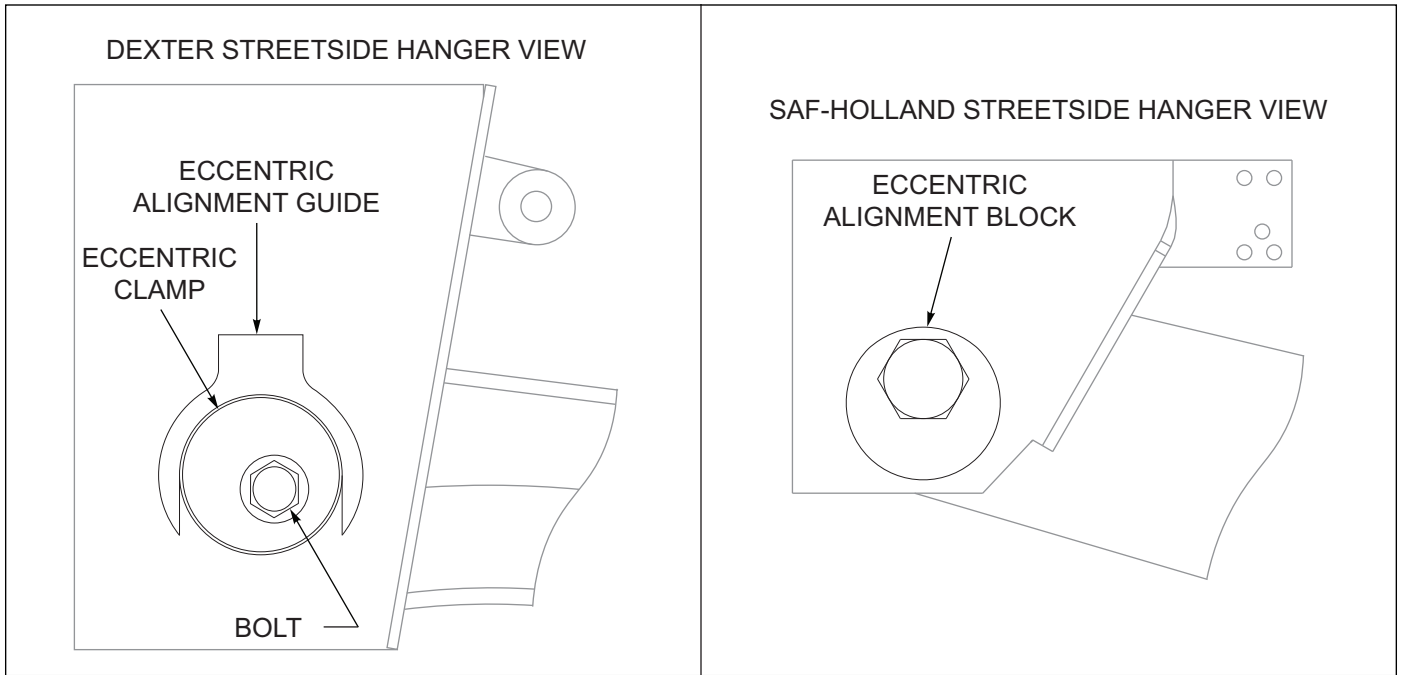


Figure 4-11: Streetside Suspension Hanger

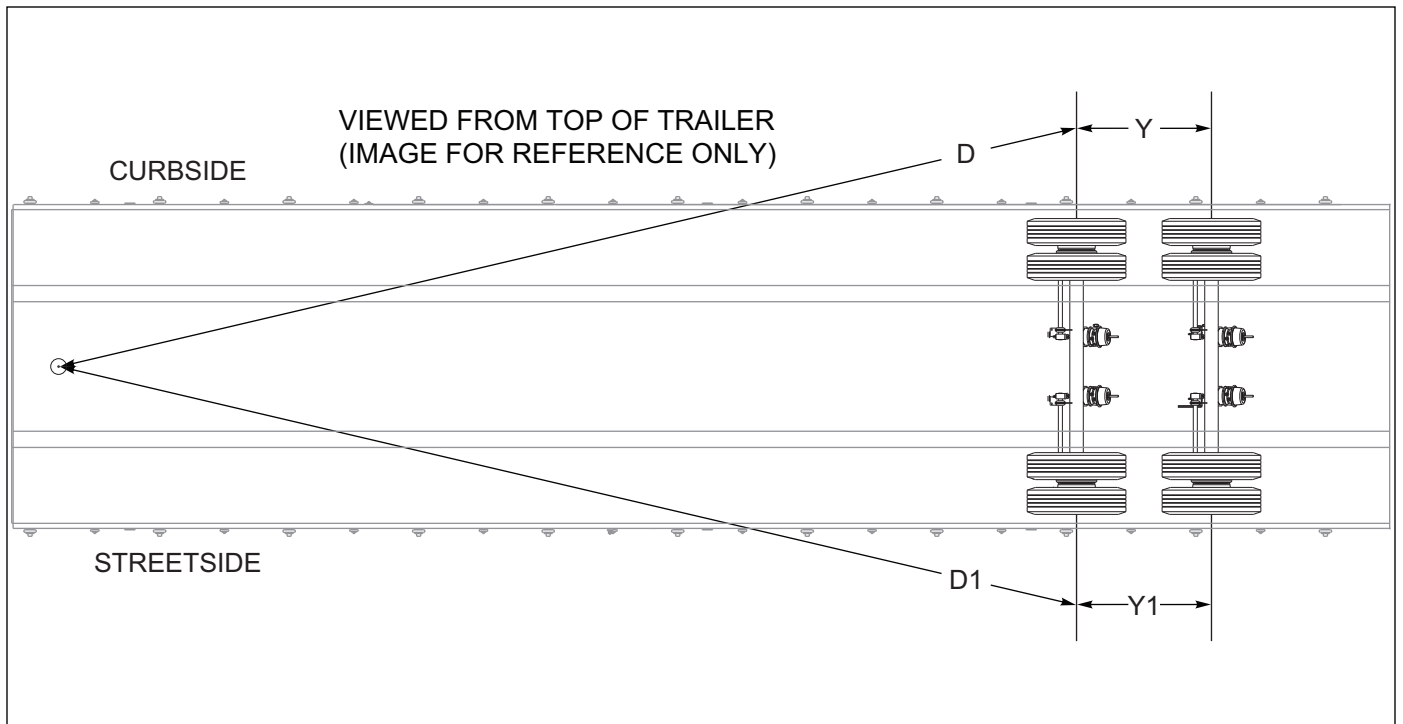


Figure 4-12: Checking Axle Alignment

## Brake System Maintenance



### WARNING

1. When crawling under the semitrailer is necessary, chock all wheels of the trailer and tractor. When jacking is necessary, chock all wheels and support the semitrailer undercarriage with jack stands sufficient to withstand the weight of the semitrailer and load. Failure to take adequate safety measures may result in serious personal injury or death.
2. Use great care if wheels or brake drums must be handled. They may be very hot and can cause serious burns.

## General

A daily general inspection will reveal the most common problems found in the spring brake system. This inspection should include the following:

1. Check air hoses for chafing, bends, kinks, or damaged fittings. Replace defective hoses.
2. Check the brake system for loose, missing, deformed, or corroded fasteners. Replace and tighten defective hardware.
3. Check brake linings for excessive wear or distortion.
4. Drain air reservoir daily. A drain cock on the bottom of each air reservoir vents the tank to drain collected water and oil. If held open, air pressure in the tanks is relieved, causing the emergency or parking brakes to be applied (See Figure 4-13.)

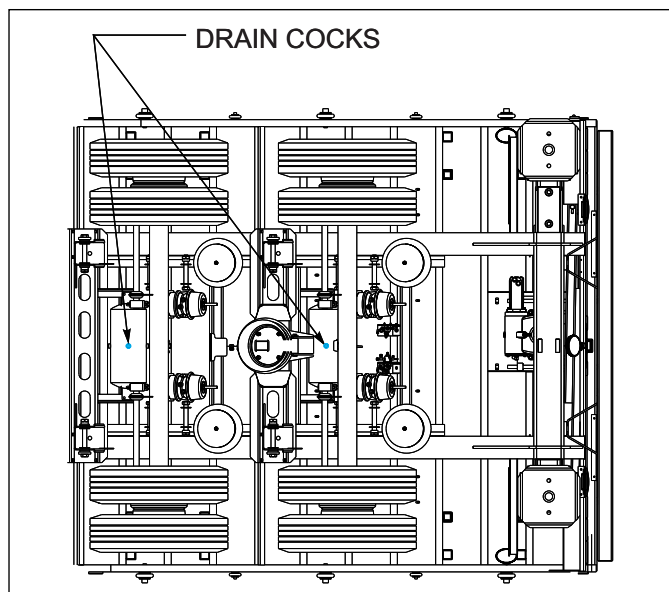


Figure 4-13: Drain Cock Locations

## Spring Air Brake Chambers

Check for faulty units. Check the condensation holes on the underside of the brake chambers to make sure they are open. The spring brake has two brake chambers, a service chamber and an emergency chamber or spring chamber. Service brake chambers should be disassembled and cleaned per interval described in Table . The diaphragm and any marginal parts should be replaced. When replacing the service diaphragm, replace the corresponding parts for the other chamber on the same axle (to aid in even brake application and release). Examine yoke pin for wear and replace as necessary. The spring chamber should not be serviced. Replace entire unit (both service and spring chamber) if spring chamber becomes faulty.



### WARNING

The spring brake chamber employs a spring with high forces. Service should not be attempted. Serious injury or death may result.

## Caging the Power Spring

1. Chock the trailer wheels.
2. Remove dust cap from spring brake chamber.
3. Remove the release bolt from its holding brackets and insert it into the spring brake chamber. **DO NOT USE AN IMPACT WRENCH TO CAGE THE SPRING BRAKE.**
4. Turn the bolt until the spring brake is caged. This should be 2-1/4 to 2-1/2 inches of release bolt extension.
5. The brakes should now be totally released. Do not operate loaded trailer with brake manually released.
6. To reset the spring brake, turn the release bolt until the spring is released. Remove the release bolt and store it in its brackets.
7. Snap the dust cap back in place on the chamber.

## Removal

1. Chock all tractor and trailer wheels and drain the air system.
2. Mark the brake chamber for proper air line port alignment for reassembly.
3. CAGE THE POWER SPRING following the steps outlined in “Caging the Power Spring” on page 4-22”.
4. Disconnect the slack adjuster from the connecting rod by removing the clevis pin (See Figure 4-17.)
5. Mark all air service lines for proper reinstallation and disconnect from the brake chamber.
6. Remove the brake chamber from the axle brackets.

## Installation

1. CAGE THE POWER SPRING following the steps outlined in “Caging the Power Spring” on page 4-22”.
2. Position the inlet ports by loosening the service chamber clamp bands and rotating center housing such that ports are located according to alignment marks made during disassembly, then retighten the clamp bands.
3. Position the breather hole in the downward facing position by loosening the clamp bands on the spring brake chamber and rotating the chamber housing until the breather hold faces downward. Retighten the clamp bands.
4. Remount the brake chamber on the axle brackets and reconnect the air service hoses and the slack adjuster connecting rod (See Figure 4-17.)

### IMPORTANT

Be sure the service line on the service chamber port and the emergency line is on the spring brake port.

5. Check for leakage by charging the air system to a minimum of 90 psi and applying soap suds to the brake chamber and connections. If a growing bubble is detected or bubbles are blown away, locate the source of the leak and repair.
6. Insure that the clamp band is properly seated and tight **before** uncaging the power spring.

## Emergency Relay Valve Maintenance

The Emergency Relay Valve should be disassembled, cleaned, and lubricated by a trained technician (Table ).



### WARNING

Repair or replacement of the relay/emergency valve is a complex operation and should be performed by trained service personnel. Contact a Landoll authorized service center or the Landoll factory for servicing.

## Brake Assembly Maintenance

The brake assemblies should be inspected and adjusted per interval described in Table . Examine the brake linings visually to locate the lining showing the greatest amount of wear. The wheel and drum should be removed and the linings replaced if the thinnest portion of the lining is 3/8 in. (9.5 mm) or less. Do not allow the linings to wear thin enough that the lining rivet contacts the drum (See Figure 4-14.) Lubricate brake assembly per Figure 4-1 and Table .

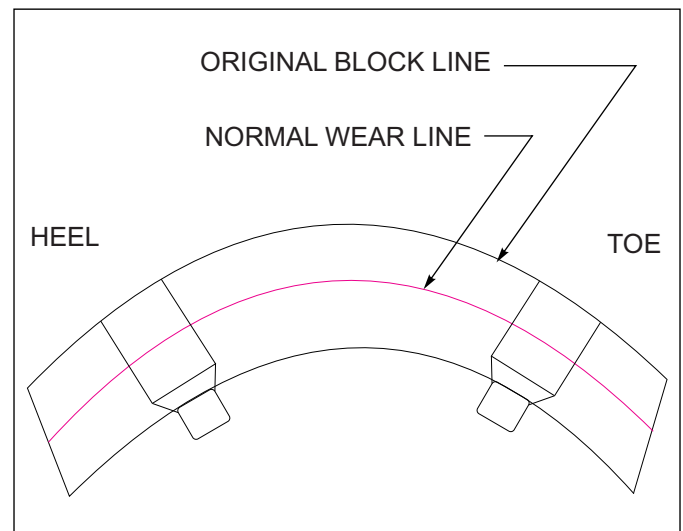


Figure 4-14: Brake Lining Wear



### WARNING

Do not allow grease to contact brake linings as this could result in reduced braking performance.

### Brake Adjustment

This semitrailer is equipped with automatic slack adjusters which compensate for brake lining wear and keep brakes adjusted. Brakes should not be adjusted manually except when relining brakes.

### Disassembly for 12-1/4" X 7-1/2" Brakes

1. Release brakes and back off slack adjuster.
2. Remove slack adjuster lock ring and slack adjuster (See Figure 4-15.)
3. Remove drum assembly (See Figure 4-18.)
4. Remove anchor pin retainers, washers, and bushings.
5. Remove anchor pins and brake shoes.
6. Remove brake return springs.
7. Remove camshaft lock ring, spacer washer and camshaft
8. Remove roller pin retainers.
9. Remove roller pins and rollers from shoes.
10. Remove camshaft bushings and seals from spider.
11. After removing the shoes, completely inspect all brake components, servicing as necessary.

### Reassembly for 12-1/4" X 7-1/2" Brakes

1. Install new camshaft bushing and seals into the spider.

#### **IMPORTANT**

**When installing camshaft seals, the seal on the slack adjuster side is installed facing into spider. This allows grease to purge outside the brake assembly when greasing the camshaft bushing.**

2. Install cam roller assemblies onto the brake shoes.
3. Install "D" shaped camshaft washer onto the camshaft.
4. Install the camshaft into the spider. Install spacer washer and lock ring retainer on camshaft before sliding the camshaft through the camshaft support bracket. Install the slack adjuster, washer and lock ring retainer.
5. Install shoes, anchor pin bushings, anchor pins, and spacers onto spider. Install anchor lock rings.

#### **IMPORTANT**

**Always use all new springs when servicing brakes.**

6. Install brake return spring.
7. Connect slack adjuster to brake chamber pushrod.
8. Adjust automatic slack adjuster as outlined in "Adjusting Slack Adjuster" on page 4-28".

### Disassembly for 16-1/2" x 7" Brakes

1. Release brakes and back off slack adjuster (See Figure 4-15.)
2. Remove slack adjuster lock ring and slack adjuster.
3. Remove drum assembly (See Figure 4-18.)
4. Disengage the roller retainers from the rollers.
5. Press down on the bottom brake shoe and remove the lower cam roller. Lift the top shoe and take out the top cam roller.
6. Lift out the shoe retractor spring, which is now free of tension.
7. Swing the lower shoe back approximately 180° to relieve the tension on the shoe keeper springs. Remove the springs and slip the shoes off the anchor pins.
8. Remove camshaft lock ring, spacer washer(s) and camshaft.
9. After removing the shoes, completely inspect all brake components, servicing as necessary.

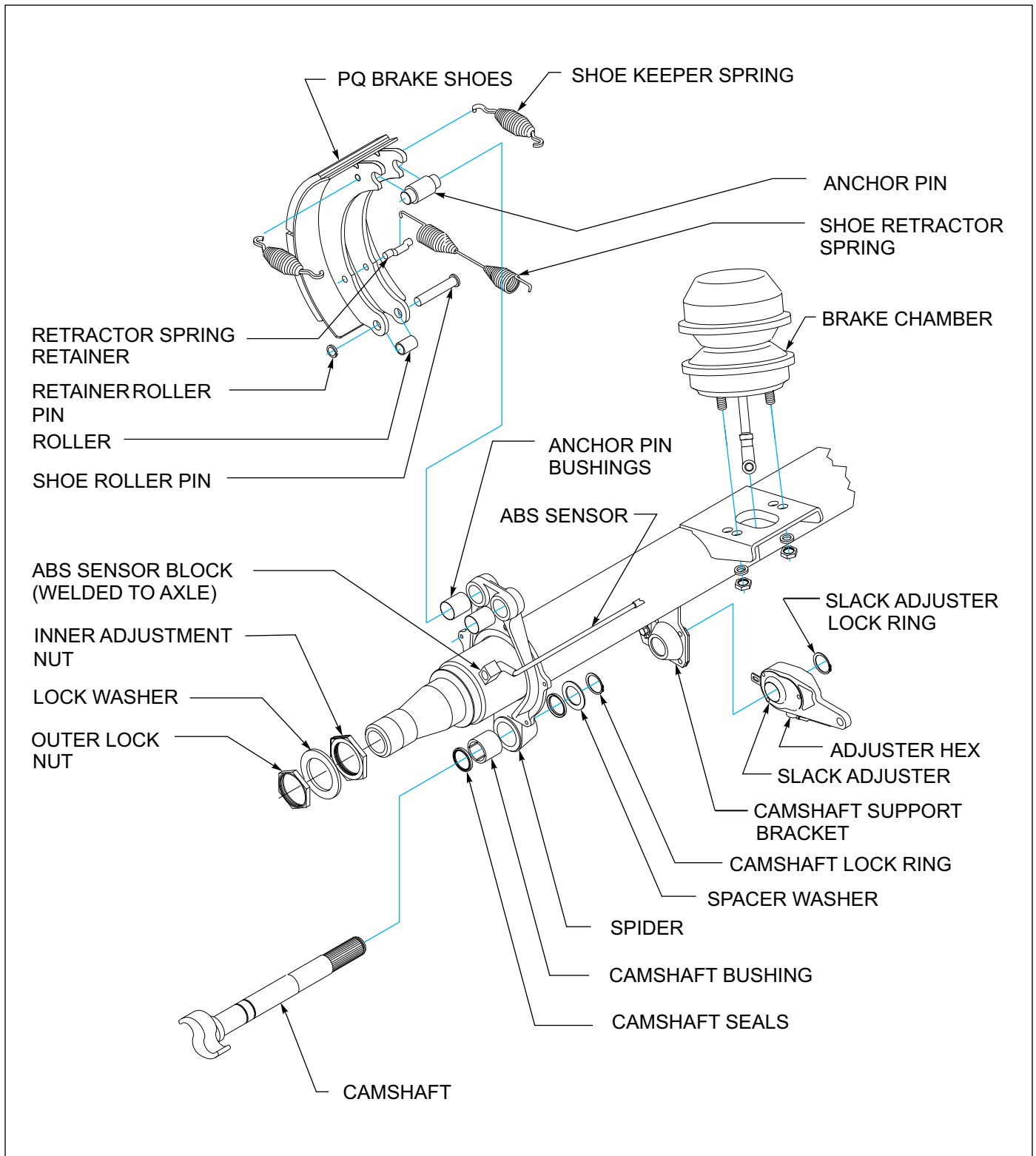
### Reassembly for 16-1/2 x 7" Brakes

1. Install new anchor pin bushings, camshaft bushing and camshaft seals into the spider.

#### **IMPORTANT**

**When installing camshaft seals, the seal on the slack adjuster side is facing into spider. This allows grease to purge outside the brake assembly when greasing the camshaft bushing.**

2. Install cam roller, retainer clip and retractor spring retainers onto the camshaft.
3. Install 1/8" thick camshaft washer onto the camshaft.
4. Install the camshaft into the spider. Install spacer washer and lock ring retainer on camshaft before sliding the camshaft through the camshaft support bracket. Install the slack adjuster, washer and lock ring retainer.



**Figure 4-15: Axle and Brake Assembly**

5. Install the brake keeper onto the shoes. Install shoes onto the spider by placing shoes in place on the anchor pins, then “wrap” the two shoes into place about the spider.
6. Install the shoe retractor spring onto the shoes.
7. Connect slack adjuster to brake chamber pushrod.
8. Adjust automatic slack adjuster as outlined in “**Adjusting Slack Adjuster**” on page 4-28”.

### Disc Brakes

A schedule for the periodic lubrication of brake components should be established by the operator on the basis of past experience and severity of operation.

### Lubrication

Lubricate camshaft roller journals and anchor pins with high temperature anti-seize grease. Lubricate manual slack adjusters with NLGI Grade 2 lubricant and automatic slack adjusters with slack adjuster manufacturers recommended lubricant.

### Service Frequency

Camshaft roller journal, anchor pins and slack adjusters should be serviced every 25,000 - 30,000 miles or every six months. This interval is based on severity of use. For off-highway use, service every four months.

### Suggested Preventative Maintenance

Check oil level in the hubs every 1,000 miles and inspect wheel seals for leaks.

Check brake adjustment and repack wheel bearings every 12,000 miles.

Check brake lining wear, inspect camshaft, camshaft spider busing and camshaft support bracket for any signs of wear every 25,000 - 30,000 miles.

Replace wheel bearing oil (if applicable) and check air chambers, roller shafts, anchors pins and busings 1: Once a year. 2: At brake relining. 3: Every 100,000 miles.

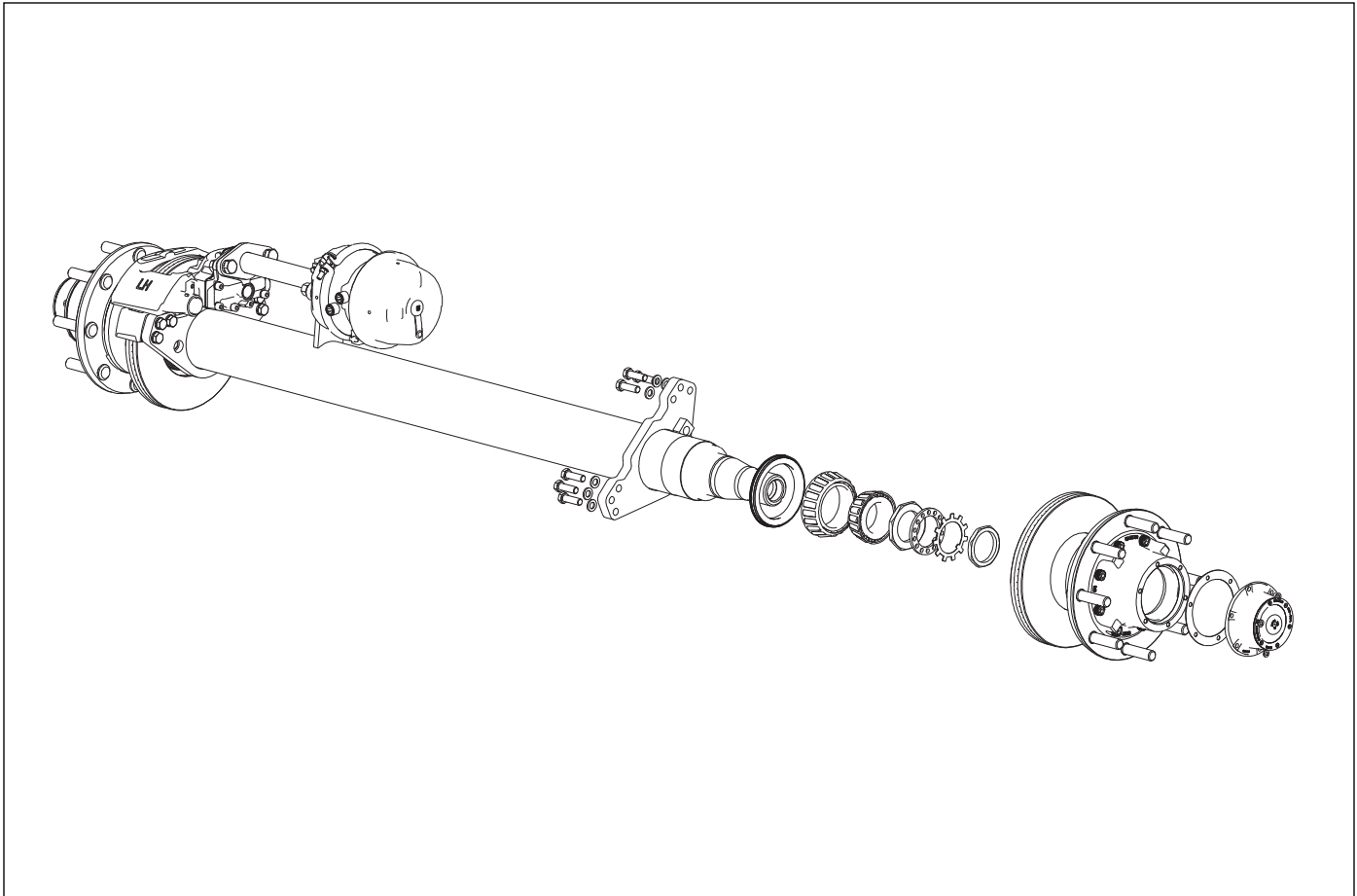


Figure 4-16: Dexter Axle with Disc Brake options. Follow all maintenance and lubrication instructions.



## Automatic Slack Adjuster

The semitrailer automatic slack adjusters provide the means for routine brake adjustment to compensate for lining wear. Inspect slack adjusters to assure correct operation (Table .)



### WARNING

**The installation guide must be used when installing or reinstalling automatic slack adjuster. Failure to do so may result in improperly adjusted brakes which may cause brake damage or lead to brake failure.**

## Operational Check

1. Block wheels to prevent vehicle from rolling.
2. Check that the push rod is fully retracted, apply air to release spring brake (See Figure 4-17.)
3. Turn adjustment hex counterclockwise to create an excessive clearance condition. (A ratcheting sound will occur.)
4. Make a full service brake application. On release, allow sufficient time for brake to fully retract. During the brake release, observe rotation of the adjustment hex (attach a wrench on the hex to make this movement easier to see). This rotation indicates that an excessive clearance condition has been determined by the slack adjuster, and it is making an adjustment to compensate. On each subsequent brake release the amount of adjustment and push rod travel will be reduced until the desired clearance is achieved
5. The push rod stroke should be 1-1/2" to 2" with a 100 to 105 PSI service brake application.
6. Measure the movement of the push rod from the completely released position to the applied position by marking the push rod where it exits the air chamber before and after application.
7. If the brakes have been running tight, the control arm location should be checked.



### WARNING

**If the adjuster appears not to be operating, check the other brake components for proper function and eliminate any binding. Recheck the automatic slack adjuster. If the adjuster is not functioning, the unit must be replaced because failure of proper adjustment function will result in loss of brakes.**

## Replacing Slack Adjuster

1. Chock wheels to prevent vehicle from rolling. Release spring and service brake. Air chamber push rod must be **fully released**.
2. To maintain a fully released parking brake, a minimum of 105 psi reservoir pressure must be maintained. If air pressure is not available the spring brake must be manually caged.
3. Remove the existing slack adjuster and clevis - **DO NOT REMOVE EXISTING JAM NUT**.
4. Install the new clevis (with 1/2" pin) onto the push rod up to the jam nut - **DO NOT TIGHTEN JAM NUT**.
5. Fit the installation guide over the cam splines so the 1/2" pin slots face the air chamber.
6. Swing the guide into the clevis until the appropriate slot totally engages 1/2" pin.
7. Observe the guide pointer arrow:  
If the guide pointer is above the clevis pointer, adjust clevis **COUNTER CLOCK WISE** for alignment.  
If the guide pointer is below the clevis pointer, adjust clevis **CLOCK WISE** for alignment.
8. Reposition clevis until the guide pointer aligns with the clevis pointer.
9. Verify by engaging 1/4" pin through the clevis and guide.
10. Tighten jam nut to 50 ft-lbs torque min.
11. Remove the guide from cam shaft.
12. If the push rod threads extend through the clevis more than 1/16", remove clevis and cut rod to length.
13. If the push rod is not fully engaged in clevis body, install a new push rod - cut to length.
14. Install the slack adjuster on the cam shaft.
15. Rotate the manual adjuster shaft **CLOCK WISE** until the slack adjuster arm holes align with the clevis. Install 1/2" and 1/4" pins and cotter pins.

## Adjusting Slack Adjuster

1. Rotate the manual adjuster clockwise until brake shoes contact drum.
2. Back off manual adjuster 1/2 turn. (counterclockwise)
3. Manually uncage the spring brake.
4. Build up vehicle air pressure.
5. Fully apply and release the brakes several times to check for adequate clearance to all adjacent components.

6. Measure the distance from air chamber to 1/2" pin. Apply brakes with 100-105 psi air pressure and remeasure distance to 1/2" pins.

**NOTE**

*The stroke (difference of these two measurements) must be less than 2 inches.*

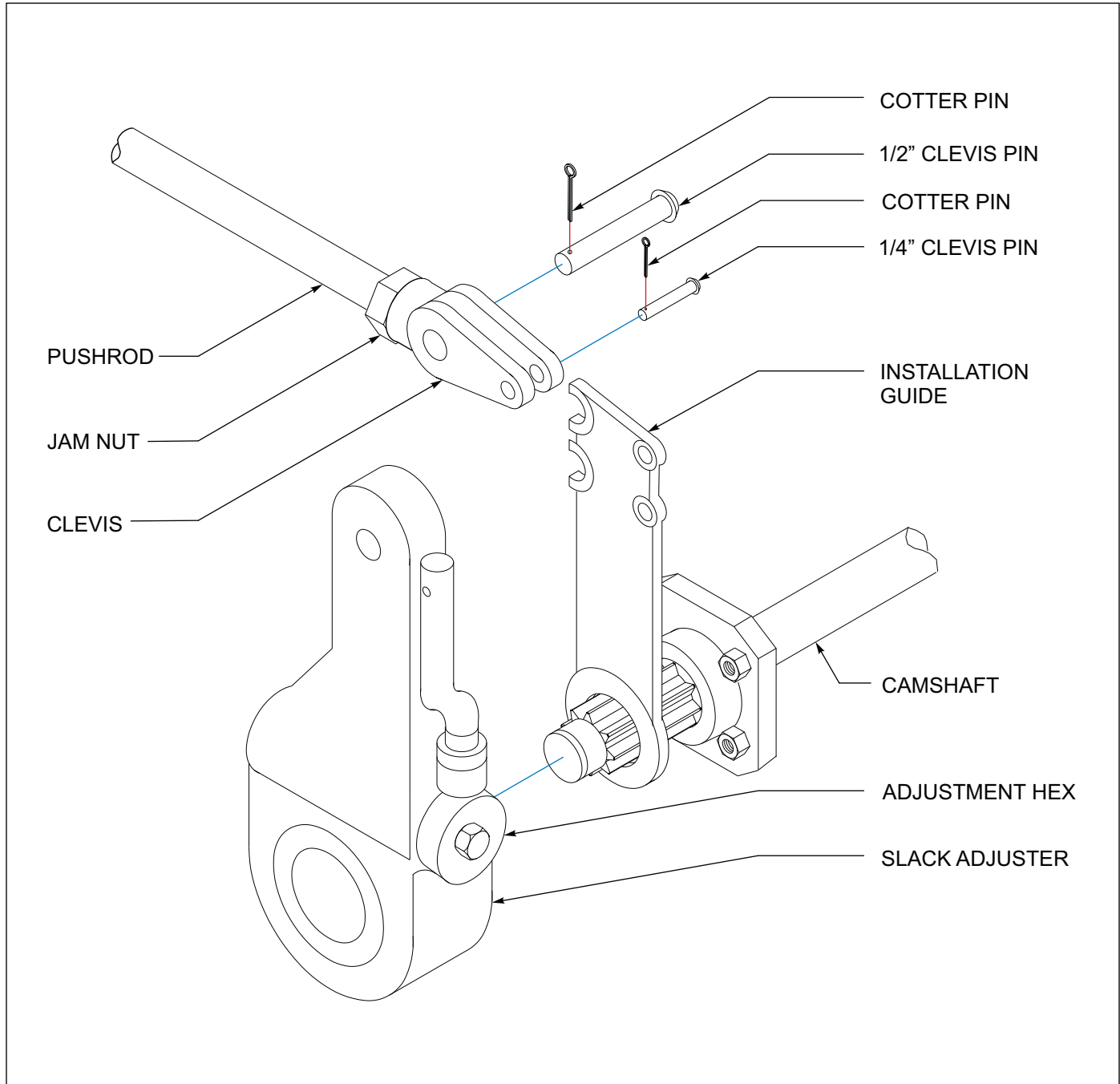


Figure 4-17: Slack Adjuster

## Hub and Drum Maintenance



### WARNING

Failure to replace faulty brake drums will result in an unreliable braking system, and may lead to an accident.

1. Clean and inspect the brake drums whenever relining the brakes. To be suitable for further service, the brake drum should pass the following checks.
  - a. The brake surface should be free of scoring, excessive heat checks and cracks.
  - b. The brake surface diameter should be within the maximum diameter cast or stamped on the drum.
  - c. The mounting holes and pilot must be round and true.
  - d. The mounting surface must be clean and flat.
2. It may be necessary to turn or resurface the braking surface to remove small heat checks or other surface defects resulting from normal use.
  - a. The maximum diameter cast into the back plate portion of the brake drum is the maximum diameter or discard diameter to which the brake drum may be turned or worn and still be usable. If any portion of the brake surface exceeds the maximum diameter it must be discarded. The maximum is .120 over the nominal new diameter unless stated otherwise on the casting. The maximum diameter cast into the brake drum supersedes all published information.
  - b. When resurfacing a drum, allow at least 0.040 inches under the maximum diameter for additional wear.



### WARNING

Turning a brake drum beyond 0.040 inches under the maximum diameter will result in a weaker brake drum and may result in an accident.

3. Replacement of the brake drum is required if any of the following conditions exist:
  - a. The brake drum is cracked.
  - b. The brake surface is heat checked, grooved or worn beyond the rebore limit or the maximum diameter.
  - c. The back plate is cracked.
  - d. The bolt holes are elongated.
  - e. The brake drum has been severely overheated.
  - f. The brake drum is out-of-round.



### CAUTION

Replace brake drums in pairs to achieve the same braking power on both wheels and maintain an even braking load on the axle. Failure to do this may significantly reduce the performance, service life, and/or safety of your vehicle.

4. Replace the hub and drum as follows: **(See Figure 4-18)**
  - a. Remove the brake drum. It may be necessary to release the slack adjuster.
  - b. Remove hub cap and catch lubricant in a pan.
  - c. Remove outer spindle nut, spindle locking washer, inner spindle nut, and bearing. Remove hub from axle.
  - d. Using an appropriate driver, remove inner bearing cone, and seal.
  - e. Using an appropriate driver, remove bearing cups from hub.
  - f. Check that the hub cavity is clean. If the hub is to be reused, clean it thoroughly.
  - g. Insert bearing cups into the hub.
  - h. Clean the mounting surfaces with a good grade commercial cleaner and soft rag. Dry all component parts with a clean, absorbent cloth or paper. Lubricant will not adhere to surfaces wet with solvent.
  - i. Place the drum over the hub and brake shoes being careful not to damage the threads on the studs **(See Figure 4-18.)** Make sure the drum seats flat against the hub flange and mates properly with the hub pilot. There should be no interference between the brake drum pilot chamfer and the corner radius on the hub. If interference exists, the hub will not be able to function properly.
  - j. Install inner bearing, cone, and seal.
  - k. If studs are marked "R" or "L", right hand ® hubs should be installed on the curbside of the vehicle, left hand (L) hubs should be installed on the driver side.

### NOTE

*Do not mix new cups with old cones or new cones with old cups.*

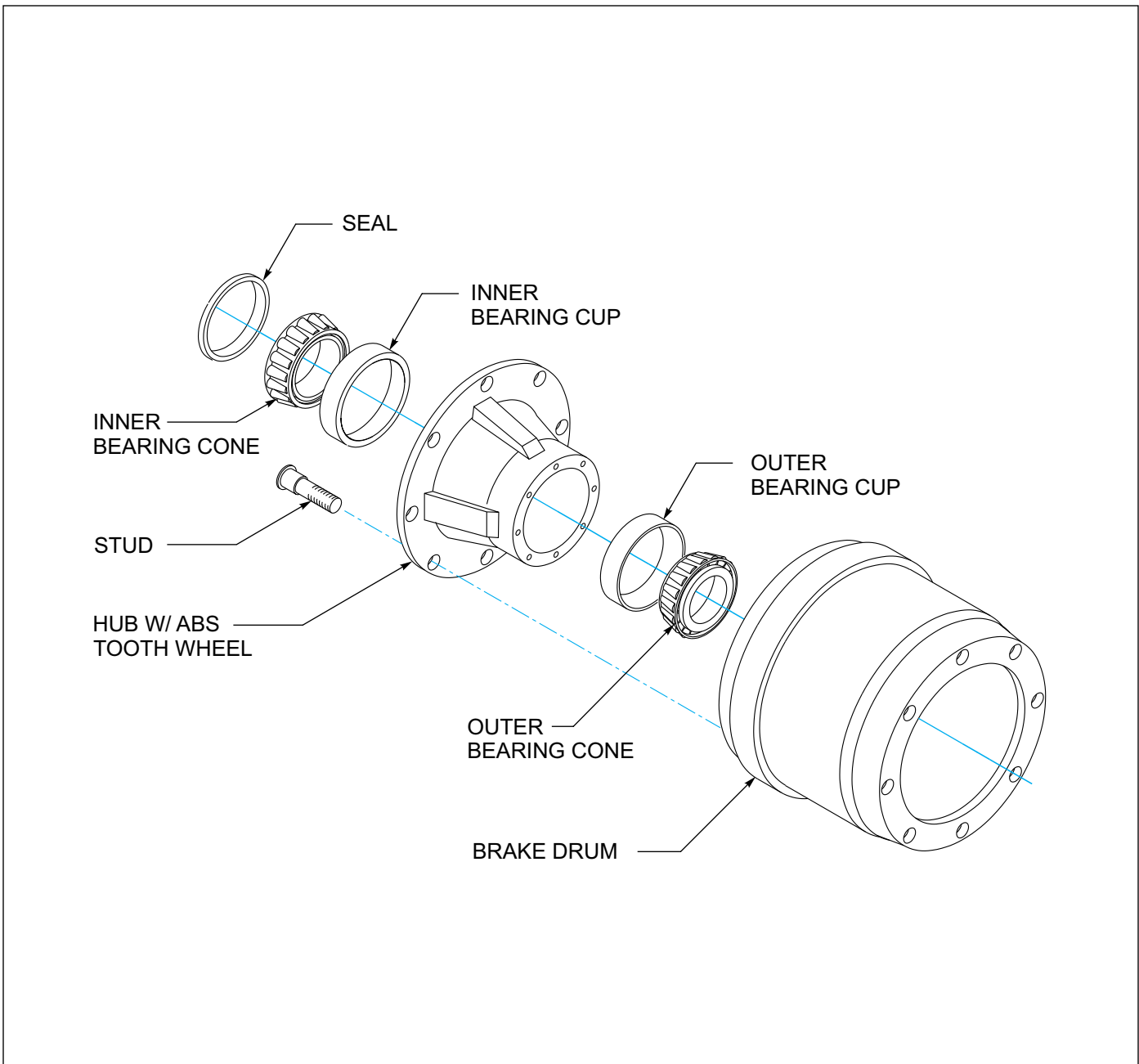


Figure 4-18: Outboard Mount Hub and Drum



**WARNING**

Failure to use the correct stud on the correct side may cause loosening of the hub studs during operation, resulting in loss of a wheel.

- l. Place the hub or wheel over the axle spindle being careful to align the hub bore with the axle. Do not damage the seal. Support the hub assembly until the outer bearing cone and spindle nut are installed, to avoid damaging the seal.

- m. Install the outer bearing cone and inner spindle nut, tightening the nut until it is snug against the outer bearing cone. Remove the hub support allowing the hub to rest on the bearings.
- n. Install and adjust bearings (See “Wheel Bearing Lubrication and Adjustment” on page 4-31.)
- o. Install the hub cap with the proper gasket. Tighten the cap screws of the hub cap to 10 to 15 ft-lbs of torque.
- p. Remove the filler plug and fill the hub cavity to the recommended level with a gear type oil.

## Wheel Bearing Lubrication and Adjustment

With semitrailer sitting level, the oil level must be checked daily and maintained between the “ADD” and “FULL” lines on the hub cap window. Check for cracked windows, missing filler plugs, and oil leaks. Add hub oil through the “POP-IN” filler plug located in the center of the hub windows. Re-install the “POP-IN” plugs after filling each hub. Adjust wheel bearings and change oil per **Table** or with each brake lining replacement, whichever occurs first.

### Adjustment

1. With a drain pan under the hub cap, remove the hub cap assembly allowing oil to drain.
2. Lift the wheel off of the ground.
3. Adjust slack adjuster to eliminate brake drag during tire/wheel rotation.
4. Remove outer lock nut and inner nut and lock washer.
5. Tighten the inner adjustment nut to a minimum of 75 ft-lbs, while rotating wheel to insure proper seating of the bearings and cups in the wheel hub.
6. Loosen the inner adjustment nut so that the wheel will turn freely.
7. Retighten the inner adjustment nut to 50 ft-lbs while rotating the wheel, to properly position the bearings for the final adjustment.
8. Loosen the inner adjustment nut 1/3 turn.
9. Install the spindle nut lock washer so that the dowel on the inner nut will align with a hole in the lock washer and the washer tang fits in the spindle keyway.

10. Install the outer lock nut and tighten to 250-300 ft-lbs. End-play of .001" to .010" must be present in the adjusted wheel bearing assembly.



### DANGER

Failure to torque the outer lock nut properly could cause the wheel to come off during vehicle operation resulting in property damage or loss of life.

11. Install the hub cap with a new gasket, torque 10 to 15 ft-lbs, and fill with oil to the full mark (**Table .**)
12. Adjust brakes according to “**Brake Adjustment**” on page 4-24”.
13. Check hub oil level after the wheel has set level in one position for a few minutes to allow the oil to work into the bearings.

## Tire Maintenance

### Tire Inflation

Tire inflation will cause tire to ground contact characteristics as shown in **Figure 4-19**. Tire inflation should be checked daily while the tire is cold, and during road stops. Checking the tire pressures while tires are hot will give a faulty increased pressure reading. Adjusting tire air pressure to the specified amount while tires are hot will produce improper tire to road contact and thus abnormal wear. Do not exceed cold inflation pressure listed on the semitrailer VIN plate located on the front of the trailer. Exceeding cold inflation pressure will result in damaged tire bodies, rims, and wheels. Replace all valve stem caps when pressure checking/adjusting has been completed. Remove any foreign objects from between duals.

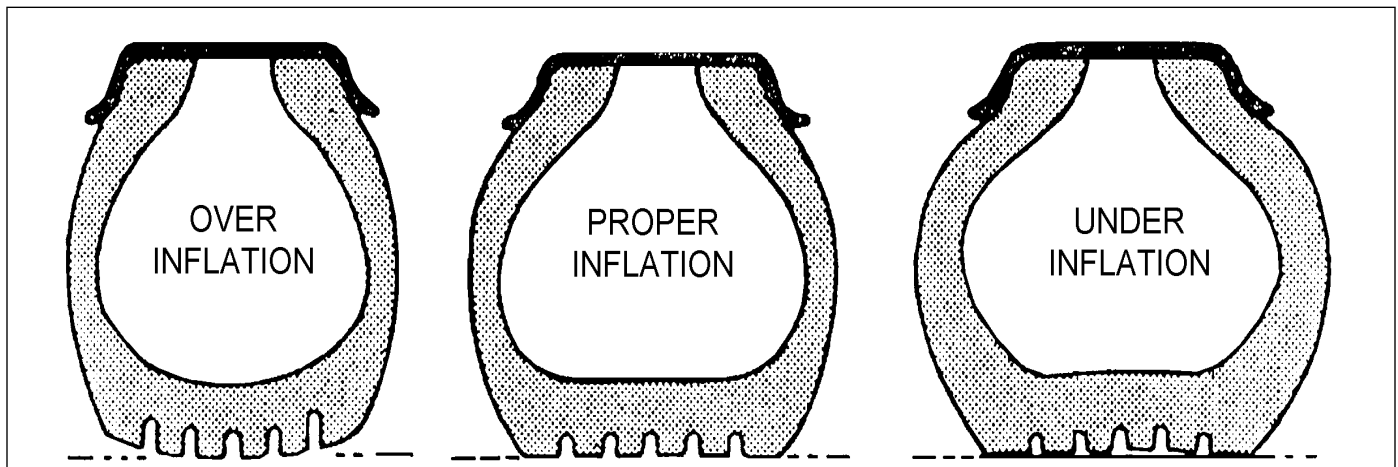


Figure 4-19: Tire Inflation Examples

## Tire Matching

Both tires on the same spindle must be the same size in order to properly distribute the load and braking forces between them. The tire must be mounted on a rim and properly inflated before measuring. If there is an allowable difference in size the smaller tire should be mounted to the inside position of the duals.

## Tape Measuring Method

Measure around each tire on the tread surface. A maximum difference of  $\frac{3}{4}$ " is allowed between the two mating tires of a dual (See Figure 4-20.)

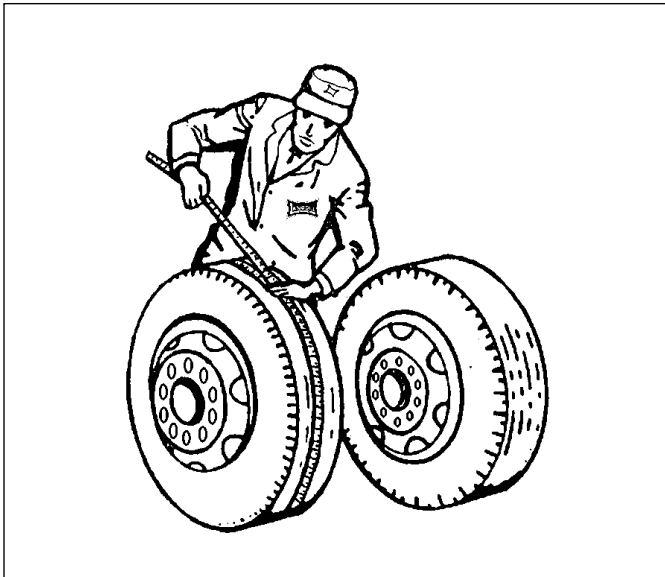


Figure 4-20: Measuring Tape Method

## Tire Changing Procedure

1. Set tractor brakes
2. Pull trailer undercarriage forward 30".
3. Set trailer brakes.
4. Place jack under inner beam on trailer frame (not under axle or undercarriage frame) and lift until tire clears ground.
5. If trailer is loaded, place jack under each side of trailer frame and lift trailer evenly.

## Straight Edge or String Method

(This method cannot be used if tire and wheel assemblies are not mounted on the axle.) Jack trailer up until the wheels are off of the ground. Hold a straight edge against the tires of both ends of an axle. A gap at one tire indicates a smaller tire. A maximum of  $\frac{1}{8}$ " gap is allowed (See Figure 4-21.)

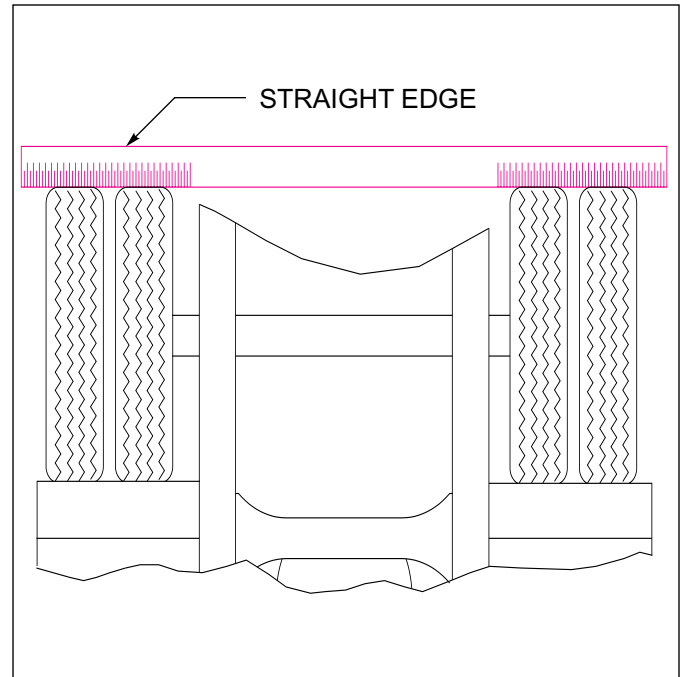


Figure 4-21: Straight Edge Method

## Mounting Tire and Wheel

1. Make sure that all mounting surfaces are clean and free of rust, dirt or paint. A wire brush may be used to clean these surfaces (See Figure 4-22.)
2. Position the inner disc wheel over the studs, being careful not to damage the stud threads. Make sure that the disc wheel is flat against the mounting surface and that there is clearance between the disc wheel taper and brake drum.
3. Position the outer disc wheel being careful not to damage the threads. Be sure the valve stems for both the inner and outer tire are accessible.
4. Install the flange nut and tighten to 50 ft-lbs using the sequence in Figure 4-23. Then tighten to full torque of 450 to 500 ft-lbs.
5. Torque will drop after the first 50 to 100 miles of operation. Check the nuts for proper torque after this interval and retighten them.



### WARNING

Use a torque wrench to assure proper torque. Insufficient torque can cause stud breakage and damage wheel pilots. Overtorque can overstress the studs and strip the threads.

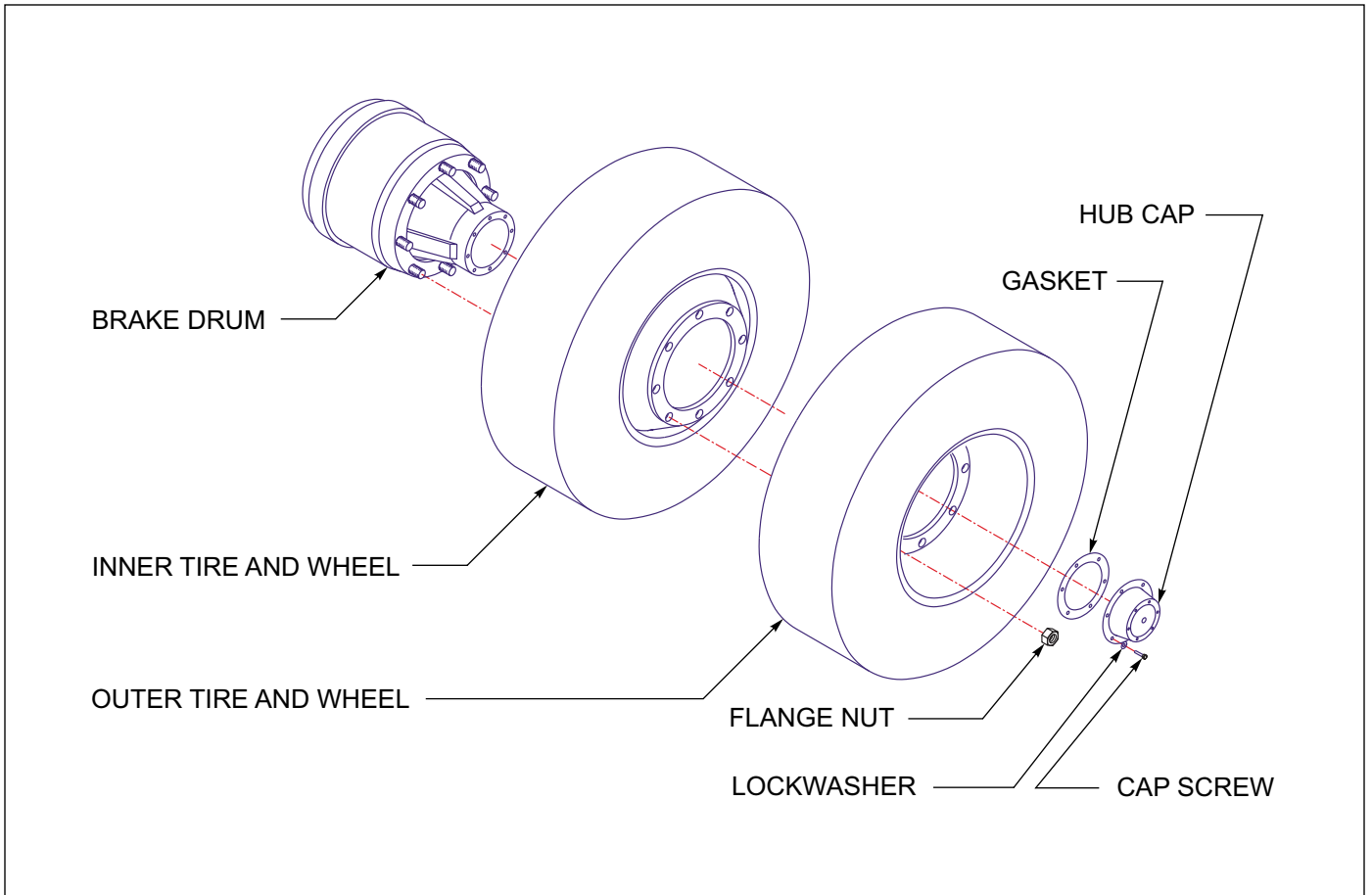


Figure 4-22: Mounting Tires and Wheels

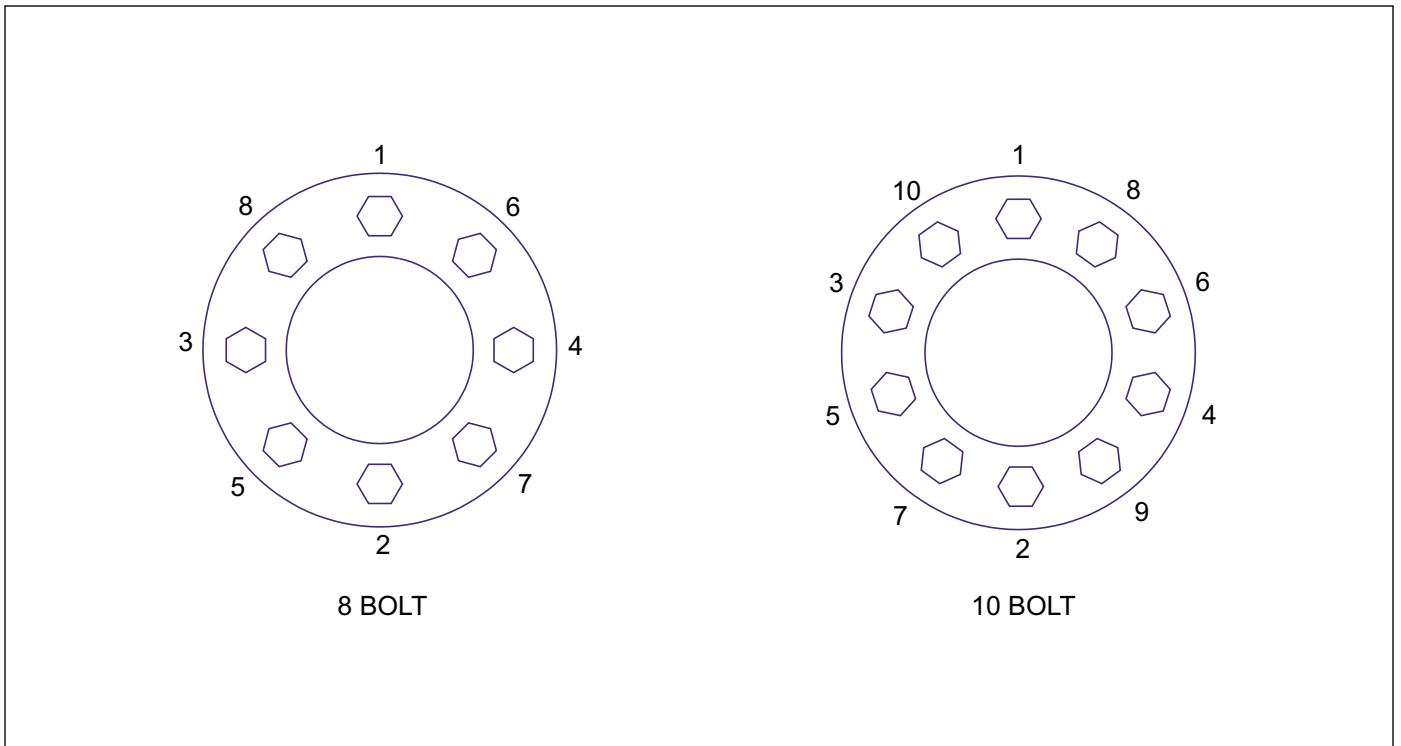


Figure 4-23: Stud Tightening Sequence

### Winches

Inspect the winch cable before and after **every** usage. If frayed wires, nicks, kinks, worn spots, breaks or any other sign of deterioration or damage is found, immediate replacement is mandatory before further usage. If the semitrailer is going to be out in the weather for any length of time, it is advisable to oil the winch cable to prevent untimely rusting and deterioration of the cable. (Table ) for lubrication specifications.

Inspect the winch mechanism thoroughly each week to insure safe, efficient operation.



#### WARNING

**Do not handle the winch cable when the winch is in the engage position. Hands or clothing could get caught in the cable and be pulled into the spool causing serious personal injury.**

### Dock Levelers

1. Weekly Service Procedures:
  - a. Operate the dock leveler system fully down and fully up at least three times to lubricate the seals.
  - b. Check the cylinders, hydraulic lines and fittings for leaks or signs of fatigue, replace any defective component.
  - c. Check all mounting hardware for tightness and serviceable condition.
2. Monthly Service Procedures:
  - a. Operate the dock leveler system fully down and fully up at least three times to lubricate the seals.
  - b. Check the cylinders, hydraulic lines and fittings for leaks or signs of fatigue, replace any defective component.
  - c. Check all mounting hardware for tightness and serviceable condition.
  - d. Fully extend the dock leveler cylinders. Clean exposed shafts and coat lightly with grease. And add grease to the leg and counterbalance valve fittings.

### Disassembly/Assembly Procedure

When disassembling and reassembling the leg, care should be taken to keep all parts clean and to prevent parts from being damaged. All seals should be coated lightly with grease before reassembling the leg.

### Leg

1. To remove leg from trailer, make sure no weight is being supported by legs. Have legs slightly extended from full retract position to relieve any internal pressure in legs. Disconnect the hoses from the leg. You may wish to mark which hose goes to what port. Remove the leg from the trailer.
2. Remove the lock valve from the leg by screwing counter clockwise (See Figure 4-24.) If you need only to repair the lock valve, it may be removed from leg while still on trailer if you have a minimum of 2" clearance above.
3. Remove o-rings and backup washers. Using a snap ring pliers, remove snap ring. Loosen hex screw.
4. Lift well tube off lower leg assembly. Lift piston rod to gain access to top of cylinder head.



#### CAUTION

**While lifting piston rod, oil will squirt out of side port at top of rod.**

5. Remove four hex screws. Lift cylinder head retainer. A wire or rubber band may be used to hold cylinder head retainer to sprocket near the top of piston rod out of the way.
6. Using a small flat screwdriver, carefully remove spiral retaining ring. Lift piston rod assembly out of cylinder tube.
7. Using a large snap ring pliers, remove heavy duty snap ring or remove the set screw. Remove the piston, cylinder head, retaining ring, and cylinder head retainer.
8. Remove all seals and wear rings. Clean all parts. Inspect all bearing surfaces for scratches, nicks, or other defects; replace if necessary. Replace all wear rings, and lightly lubricate all seals before installing on legs.
9. Carefully reassemble the leg in reverse order as described above. Where applicable, torque piston to 40-50 ft-lbs. Apply two drops of Loctite 277 or equivalent to set screw and torque to 50 in./lbs.
10. Return leg to trailer and reconnect all hoses. Apply grease to grease fittings and cycle legs fully several times to bleed air from system. Check oil level.



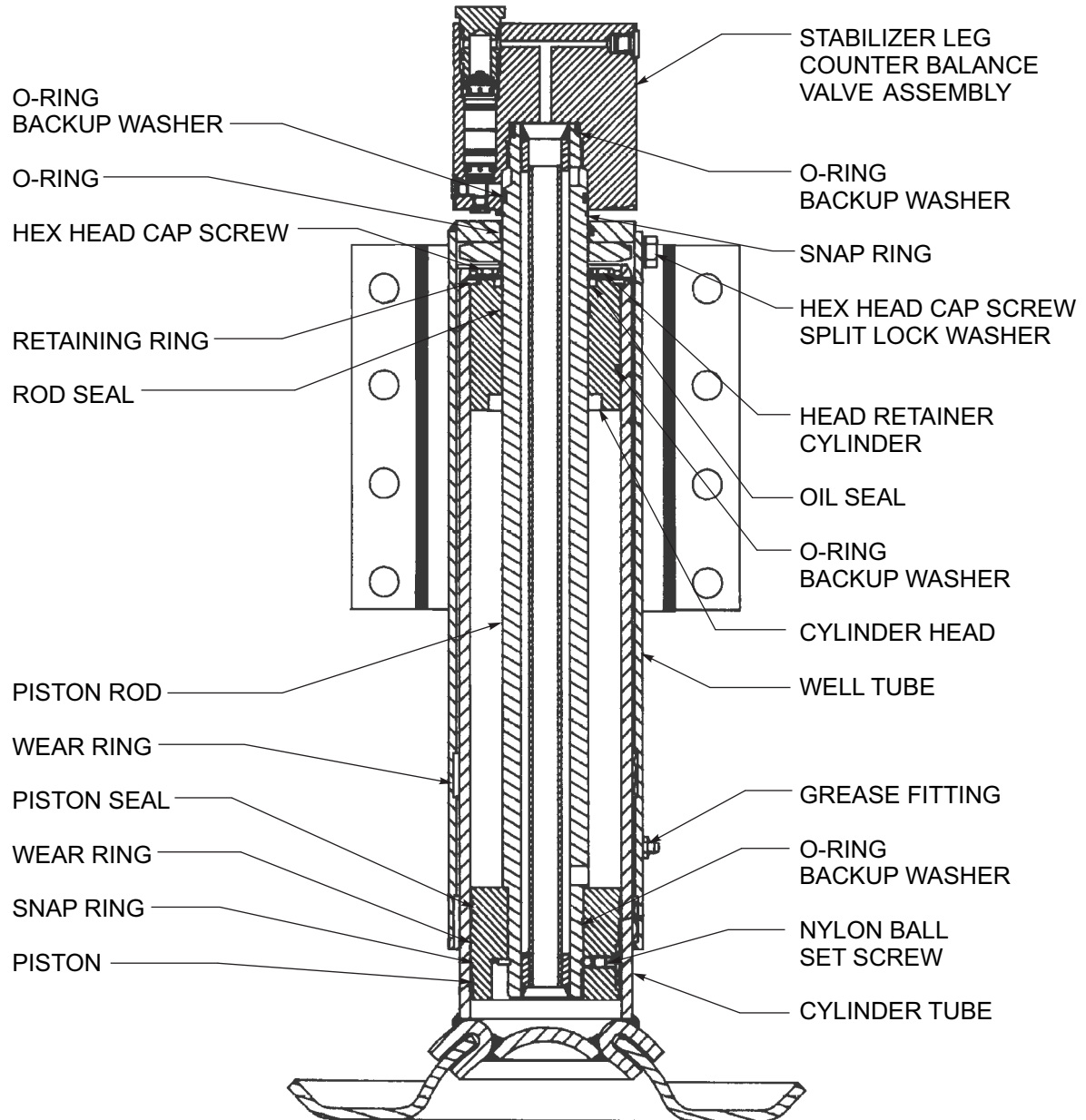
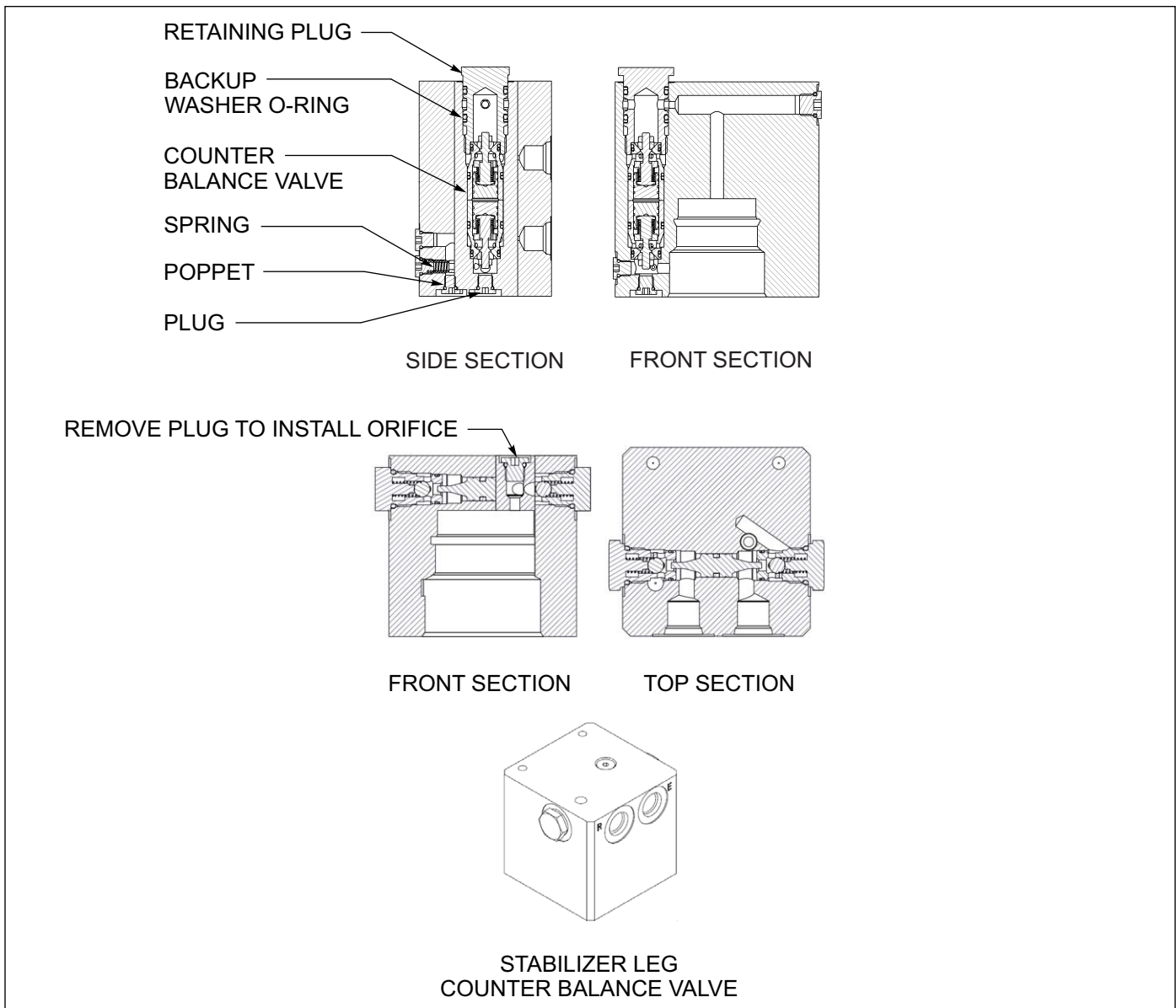


Figure 4-24: Dock Leveler Leg Assembly

## Stabilizer Leg Counter Balance Valve

1. Remove lock valve as described in **step 2** (See “Leg” on page 4-34”.)
2. Remove retaining plug (See **Figure 4-25**.)
3. Remove o-ring plug opposite retaining plug on rectangular block.
4. Using a drift small enough to fit through the port opened in the previous step, tap out the lock valve cartridges.
5. Install new lock valve cartridges back to back (as illustrated). Grease o-rings.
6. Install two new o-rings and two back-up washers on retaining plug.
7. Thread retaining plug into body (tap gently to engage threads). Torque plug to 15 ft.lbs.
8. Install new o-ring on plug, opposite retaining plug. Thread plug into body. Torque to 70 in.lbs.
9. Replace spring and poppet. Replace the o-ring on plug and reinstall.
10. Install new o-rings and back-up washers on top of piston rod.
11. Thread lock valve on piston rod until firmly seated. If the ports need to be relocated, loosen the screw at the top of the well tube and turn lock valve clockwise until ports are at the desired location. Retighten the set screw.



**Figure 4-25: Stabilizer Leg Counter Balance Assembly**

## Crank Landing Gear

1. The landing gear receives adequate lubrication during manufacturing. Relubrication is possible through grease fittings and is recommended at three month intervals.
2. The elevating screw is lubricated by the lower grease fitting located on the upper housing in **Figure 4-26**.
3. Prior to lubrication, extend the landing gear as far as possible. During lubrication, slowly retract the landing gear. The upper grease fitting lubricates the gearing, shafts, and bushings. It is recommended to use a high quality commercial grade lithium EP-2 grease.

### IMPORTANT

**Shift crankshaft inward into high gear before lubricating the upper grease fitting.**

4. When inspecting the landing gear, any parts which are subjected to wear or damage, must be checked and replaced if worn or damaged. The inspection and maintenance intervals must be decreased if the trailer is operated under arduous transport conditions.

## Repair Instructions

1. In order to repair landing gear, the legs should be taken off the trailer by removing the mounting attachment bolts and cross shaft.
2. For two speed leg assembly, remove cover by removing cover screws.

### IMPORTANT

**The cover is sealed to the upper housing with a silicone sealant. When replacing the cover a suitable silicone sealant must be used. Dow Corning #700 or equal is recommended.**

3. Remove grease before disassembly. Drive spiral pins from output spur gear and input gear.
4. Then drive out output shaft by placing a punch through hole in output spur gear and driving the shaft out. Now both items can be removed.
5. Remove cap plug. Shift input gear shaft to the high gear position. Then drive out roll pin with a 3/8" diameter punch, by using the .50 diameter hole at the side of the shaft in the outer housing.

### IMPORTANT

**For two speed leg assemblies without the side access hole, use a curved 3/8" diameter punch.**

6. Remove output cluster shaft.
7. Shift input gear shaft to the low gear position. Position mark on end of input gear shaft in a vertical position. Remove locknuts from shift housing. Pull out the input gear shaft and shift housing as one unit.
8. Remove bevel gear and output cluster gear by lifting upwards on both parts at the same time. Remove groove pin and thrust washer. Lift outer housing off from inner leg assembly.
9. Remove thrust bearing and collar.

### IMPORTANT

**Thrust bearing must be exchanged complete with collar. New thrust bearing must be packed with grease before assembly.**

### IMPORTANT

**If elevating screw shows sign of wear, replace lower leg assembly before mounting. Make sure elevating screw and nut are sufficiently greased. If grease is required, coat the entire surface of the screw with a min. of 4 oz. of grease.**

10. If bushings are worn, they must be removed and replaced. Install bushings with a step driver and punch.
11. Assemble shift housing and ball detent to input gear. Apply a thin film of lithium grease to the inside of the bushing before assembly. Reassemble by compressing balls and spring into hole in input gear. Then slide shift housing onto the shaft, capturing the detent balls and spring.

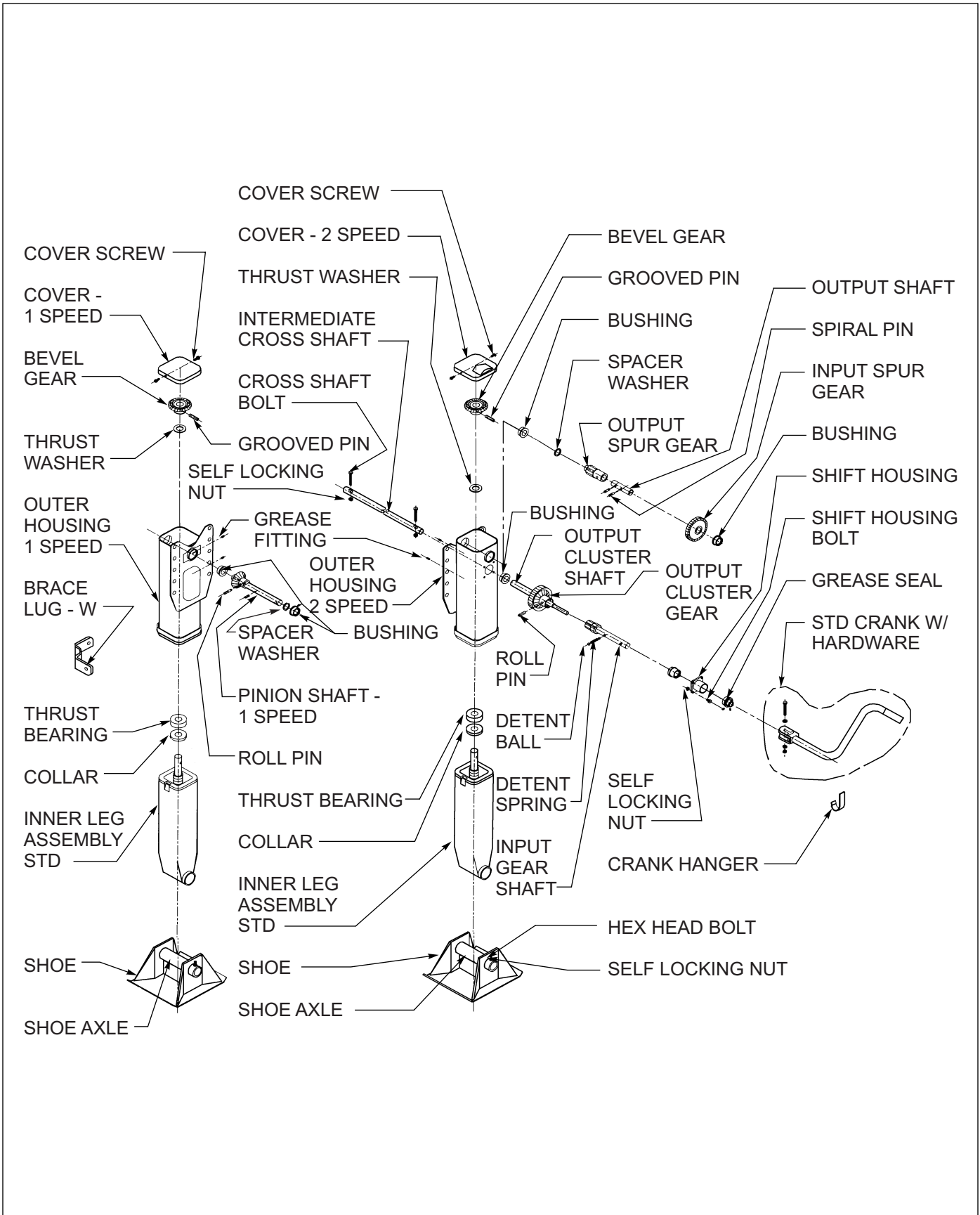


Figure 4-26: Crank Landing Gear Assembly

## Troubleshooting Guide

Troubleshooting should be performed by a trained and competent technician. Landoll Company, LLC. is not responsible for equipment that is improperly maintained. Contact an authorized Landoll Service center for servicing.

### Electrical

Most electrical system problems show up as a burned out light or fuse, or inoperative electrical component. Wiring, grounds, or components may be at fault. Locate the symptom in this section that best identifies your electrical problem. Check out each possible problem under that symptom. If the problem cannot be located, see an automotive electrical specialist. For maintenance procedures see **“Electrical System” on page 4-15.**

PROBLEM	PROBABLE CAUSE	SOLUTION
NO LIGHTS	Fuse blown	Replace fuse
	Connection at plug-in	Tighten connection
	Broken or corroded wires	Replace wire
	Ground wire loose	Clean and tighten ground
LIGHTS FLICKERING	Wires shorted or loose	Locate, insulate, replace, or tighten
	Grounding through fifth wheel	Locate broken ground wire (tractor or semitrailer)
LIGHTS DIM	Voltage difference between semitrailer and tractor	Match bulbs with tractor voltage
	Grounding through fifth wheel	Locate broken ground wire (tractor or semitrailer)
LIGHTS BRIGHT AND BURN OUT	Voltage difference between semitrailer and tractor	Match bulbs with tractor voltage
FUSE BLOW-OUT OR CIRCUIT BREAKER TRIPPING	Vibration	Locate source of vibration and repair
	Short circuit	Replace fuse and try all accessories. If fuse blows right away, locate short and repair
LAMP BULB BURN OUT	Vibration	Locate source of vibration and repair
	Short circuit	Replace fuse and try all accessories. If fuse blows right away, locate short and repair
	Loose connection	Check lamp sockets and ground connections
	Intermittent short	Locate short and repair
	Improper voltage	Check voltage regulator output
NEW BULB DOESN'T WORK	Wires switch	Switch power and ground wires at light

## Tires - Wheels - Suspension

Most tire, wheel, and suspension related problems are due to excessive loads, extreme conditions, and improper maintenance. Tire, wheel, and suspension problems can be easily detected and solved by checking the following guide. For maintenance procedures, refer to the following sections:

- “Alignment” on page 4-18
- “Hub and Drum Maintenance” on page 4-29
- “Wheel Bearing Lubrication and Adjustment” on page 4-31
- “Tire Maintenance” on page 4-31

PROBLEM	PROBABLE CAUSE	SOLUTION
VIBRATIONS WHILE DRIVING	Improper tire inflation	Inflate to proper pressure ( <b>See “Tire Inflation” on page 4-31.</b> )
	Tires cupped or have flat spots	Replace tires.
	Wheels bent or loose	Replace or tighten.
	Tires incorrectly mounted	Remount ( <b>See “Mounting Tire and Wheel” on page 4-32.</b> )
	Mud in wheels	Clean wheels.
	Tire(s) out of balance	Balance tires.
	Brakes dragging	Locate cause and repair.
	Object(s) stuck between duals	Remove object(s).
<b>RAPID TIRE WEAR/DETERIORATION:</b>		
CENTER TREAD WEAR	Over inflation	Deflate to correct inflation ( <b>See “Tire Inflation” on page 4-31.</b> )
SHOULDER TREAD WEAR - BOTH SHOULDERS	Under inflation	Increase inflation to correct PSI. Check axle alignment ( <b>See “Tire Inflation” on page 4-31.</b> )
	Overload	Loads are above rated tire capacity. DO NOT load above rated tire capacity.
SHOULDER TREAD WEAR - ONE SHOULDER	Axle damage	Straighten or replace axle ( <b>See “Brake System Maintenance” on page 4-22.</b> )
	Axles not parallel	Check axle alignment.
OVERALL TREAD WEAR	Overloading	Check tire load rating.
	High speeds	Adjust speed according to road and load conditions.
	Incorrect dual matching	Properly match dual tires ( <b>See “Tire Matching” on page 4-32.</b> )
TIRE FLAT SPOTS	Quick stops	Adjust braking practices.
	Grabbing brakes	Adjust brakes properly ( <b>See “Brake Adjustment” on page 4-24.</b> )
	Worn or loose wheel bearings	Adjust or replace as needed ( <b>See “Hub and Drum Maintenance” on page 4-29.</b> )
	Out of balance wheels and tire	Balance wheels and tires. Check ABS system function.
UNEVEN WEAR	Suspension bushings worn	Replace bushings ( <b>See “Hub and Drum Maintenance” on page 4-29.</b> )
	Worn or loose wheel bearings	Adjust or replace as needed.
	Out of balance wheels and tires	Balance wheels and tires.

<b>PROBLEM</b>	<b>PROBABLE CAUSE</b>	<b>SOLUTION</b>
<b>** RIM FAILURE</b>		
CRACKING	Overinflated tires	Deflate tire to proper PSI.
	High speeds	Adjust speed according to road and load conditions.
	High speed cornering	Adjust cornering practices.
	Over loading	Check rim load rating.
<b>**IN ALL INSTANCES OF RIM FAILURE, REPLACE THE RIM IMMEDIATELY!</b>		
BENDING OR WARPING	Curb-hopping or potholes	Adjust turning practices and adjust speed accordingly with road conditions.
	Improper tightening sequence	Follow proper tightening sequence (See <b>Figure 4-23.</b> )
*BROKEN STUDS*	Over tightening	Use correct torque when mounting (See <b>“Standard Specifications”</b> on page 2-1.)
<b>*REPLACE BROKEN STUDS BEFORE USING THE SEMITRAILER!</b>		
SEMITRAILER TRACKING PROBLEMS:		
TRACKS TO ONE SIDE	Axle alignment	Re-align axle (See <b>“Brake System Maintenance”</b> on page 4-22.)
TRACKS TO EITHER SIDE	Broken or bent springs or equalizers	Replace defective parts.
	Axles not parallel	Re-align axles
AIR RIDE HEIGHT PROBLEMS:		
TOO HIGH	Axle to control valve linkage	Readjust linkage.
	Height Control Valve internal leak	Repair or replace valve.
TOO LOW	Axle to control valve linkage	Readjust linkage.
	Height Control Valve filter plugged	Clean or replace valve.
	Pressure Protection Valve filter plugged	Clean or replace valve.
	System air pressure low (65 PSI minimum required)	Troubleshoot air supply.
UNEVEN FROM SIDE TO SIDE	Linkage adjustment	Readjust linkage
	Exhaust port plugged	Clean or replace valve(s).
	Height control valve internal leak	Repair or replace valve.
	Supply line to one height control valve pinched, restricted, or plugged	Repair or replace line.

# Brakes

For maintenance procedures, see “**Brake System Maintenance**” on page 4-22.

PROBLEM	PROBABLE CAUSE	SOLUTION
NO BRAKES OR BRAKES ARE INTERMITTENT	Brake air system improperly connected	Reconnect hand valves properly.
	Relay/Emergency valve plugged	Clean valve.
	Defective tractor protection valve	Repair or replace.
	Restricted tubing or hose line	Locate and eliminate restriction.
	Broken line	Locate break and repair.
	Tractor air system failure	Troubleshoot tractor air system and repair. Check ABS system function.
SINGLE BRAKE DRAGGING OR LOCKED	Broken internal brake component	Locate and replace broken part ( <b>See “Brake Assembly Maintenance” on page 4-23.</b> )
	Flat spot on cam roller or cam shaft	Replace and lubricate.
	Improper adjustment	Adjust slack adjusters ( <b>See “Automatic Slack Adjuster” on page 4-27.</b> )
	Spider bushing or cam bracket bushing binding	Lubricate or replace bushing.
	Improper lubrication	Lubricate per <b>Figure 4-1.</b>
	Worn brake shoe bushing	Replace bushing.
	Brake drum distortion	Replace drum.
	Broken brake chamber spring	Replace spring.
	Brake chamber pushrod binding	Re-align brake chamber bracket.
	Air brake line loose or broken	Tighten or repair.
UNEVEN BRAKES	<b>See “SINGLE BRAKE DRAGGING OR LOCKED”</b>	
	Restriction in hose	Locate restriction and remove
	Worn brake linings	Reline brakes.
	Grease on linings	Reline brakes.
	Broken slack adjuster	Replace slack adjuster ( <b>See “Replacing Slack Adjuster” on page 4-27.</b> )
	Leaking brake chamber diaphragm	Replace diaphragm.
BRAKES APPLY TOO SLOWLY	Brakes need adjusting or lubrication	Adjust or lubricate as needed.
	Low air pressure in brake system (below 105 PSI)	Check tractor air system.
	Restricted tubing or hose	Locate restriction and remove.
	Defective relay valve	Clean or replace.
	<b>Call Factory or see qualified Trailer/Brake Technician</b>	
BRAKES RELEASE TOO SLOWLY	Brakes need adjusting or lubrication	Adjust or lubricate as needed.
	Brake rigging binding	Align brakes or replace bent parts.
	Exhaust port of relay valve restricted or plugged	Clean valve.
	Tractor pressure too low	Adjust to provide 105 psi min.



PROBLEM	PROBABLE CAUSE	SOLUTION
ALL BRAKES DO NOT RELEASE	Air system improperly connected to tractor	Tighten or adjust connections.
	Brake valve on tractor is applied	Release brake
	Relay emergency valve in emergency position	Check line pressure and check valve
	Restricted tubing or line	Locate restriction and remove
	Defective tractor protection valve	Troubleshoot tractor air system.
	Parking brakes locked	Troubleshoot air system
	Moisture in air system	Check air system
	Tractor pressure too low	Adjust to provide 105 psi min.
INSUFFICIENT BRAKES	Brakes need adjusting	Adjust brakes <b>(See “Brake Adjustment” on page 4-24.)</b>
	Brakes need lubricating	Lubricate brakes
	Brakes need relining	Reline brakes
	Low air pressure	Troubleshoot air system.
	Defective relay emergency valve	Repair or replace.
	Brakes overheated	Stop and allow brakes to cool, locate cause of overheating.
BRAKES GRABBING	Grease on brake linings	Reline brakes
	Brake rigging binding	Align brakes or replace bent parts.
	Defective brake valve on tractor	Repair or replace valve.
	Defective relay emergency valve	Repair or replace valve.
EXCESSIVE LEAKAGE WITH BRAKES RELEASED	Relay emergency valve leaking	Repair or replace valve
	Leaking tubing or hose	Replace defective part.
EXCESSIVE LEAKAGE WITH BRAKES APPLIED	Relay emergency valve leaking	Repair or replace valve.
	Leaking brake chamber diaphragm	Replace diaphragm.
	<b>Call Factory or see qualified Trailer/Brake Technician</b>	
	Leaking tubing or hose	Replace defective part.
EXCESSIVE LEAKAGE WITH EMERGENCY SYSTEM ONLY APPLIED - NO LEAKAGE WITH NORMAL BRAKING	Defective relay emergency valve	Repair or replace valve.
EXCESSIVE WATER PRESENT IN BRAKE SYSTEM	Reservoir not drained often enough	Drain reservoir daily.
EXCESSIVE OIL PRESENT IN BRAKE SYSTEM	Compressor on tractor passing excessive oil	Repair compressor.
BRAKE WILL NOT APPLY PROPERLY	Flat spot on cam roller or camshaft	Replace and lubricate.
BRAKES WILL NOT APPLY WHEN EMERGENCY LINE IS DISCONNECTED	Initial air pressure too low	Allow air system to build up to minimum 90 PSI and stabilize.
	Defective relay valve	Repair or replace valve.
	Air line leak	Locate leak and repair.
	Brake chamber leak	Locate leak and repair or replace.
ABS WARNING LIGHT STAYS ON	Refer to Rockwell WABCO ABS for system function and use of blink code diagnostics.	

# Brake Drums

For maintenance procedures, refer the following sections:

- “Suspension Maintenance” on page 4-15
- “Alignment” on page 4-18
- “Brake System Maintenance” on page 4-22
- “Hub and Drum Maintenance” on page 4-29
- “Wheel Bearing Lubrication and Adjustment” on page 4-31

PROBLEM	PROBABLE CAUSE	SOLUTION
EXCESSIVE LOSS OF BRAKES OR FADING	Overheated brake drums	Check for defective or misadjusted brake linings, distorted or over-machined drums. Also check for operating conditions or loads that create severe or excessive brake applications.
BRAKES PULL TO EITHER SIDE	Drums of different diameters	Replace with drums of same diameter.
	Foreign matter in drums	Clean drums out.
ROUGH OR NOISY BRAKING ACTION	Defective drums	Pull drums and inspect for any of the following; Heat spotted drums, grease spotting, blue drums, scored drums, excessive wear at rivet holes or edges, polished drums, out of round drums, unbalanced drums, worn/damaged brake components, foreign matter in drums. Correct situation or replace defective part(s).
VIBRATION IN RIDE	Defective drums or out-of-round	Replace drums.
	Out-of-balance drums	Balance drums.

Table provided for general use.

NOTES:



## Hydraulic System

Most hydraulic system failures follow the same pattern: a gradual or sudden loss of pressure or flow with a resulting loss of cylinder or motor power. Any one of the system's components may be at fault. By following step-by-step procedures, the trouble can be located in a short time.

<b>PROBLEM</b>	<b>PROBABLE CAUSE</b>	<b>SOLUTION</b>
SYSTEM INOPERATIVE	Not enough oil in system	Fill, check for leaks.
	Wrong oil in system	Change oil, see specifications ( <b>See Table .</b> )
	Filter dirty or clogged	Drain oil and replace filter.
	Hydraulic lines dirty or collapsed	Clean or replace as necessary.
	Air leaks in pump suction line	Repair or replace as necessary.
	Worn or dirty pump	Clean, repair or replace. Check for contaminated oil. Drain and flush.
	Badly worn components	Examine for internal leakage. Replace faulty components. Check for cause of wear.
	Leakage	Check all components, and relief valve for proper settings.
	Excessive load	Check unit specifications for load limit ( <b>See "Standard Specifications" on page 2-1.</b> )
	Slipping or broken pump drive	Repair or replace couplings. Check for alignment
SYSTEM OPERATES ERRATICALLY	Air in the system	Check suction side of system for leaks. Repair leaks.
	Cold oil	Allow ample warm-up time. Use proper weight oil for operating temperature.
	Dirty or damaged components	Clean or repair as needed.
	Restriction in filters or lines	Clean and/or replace filter or lines.
	Not enough oil in system	Fill and check for leaks.
SYSTEM OPERATES SLOWLY	Oil viscosity too high, or "cold oil"	Allow oil to warm up before operating.
	Low pump drive speed	Increase engine speed (check pump owner's manual for specifications).
	Low oil level	Check reservoir and add oil as necessary.
	Air in system	Check suction side for leaks. Repair leaks.
	Badly worn pump, valves, cylinders, etc.	Repair or replace faulty component(s) as necessary.
	Restrictions in lines or filter	Clean and/or replace filter or lines.
	Improper adjustments	Check relief valves, etc. Adjust as necessary.
	Oil leaks	Tighten fittings. Replace seals, gaskets and damaged lines.

<b>PROBLEM</b>	<b>PROBABLE CAUSE</b>	<b>SOLUTION</b>
OVER HEATING OF OIL IN SYSTEM	Oil passing through relief valve for excessive time	Return control valve to neutral when not in use
	Incorrect, low, dirty oil	Use recommended oil ( <b>See Table .</b> ) Fill reservoir with clean oil. Replace filter.
	Engine running too fast	Reduce engine speed.
	Excessive component internal leakage	Repair or replace component as necessary.
	Restriction in filters or lines	Clean and/or replace filter or lines.
	Insufficient heat radiation	Clean dirt and mud from reservoir and components.
	Malfunctioning component	Repair or replace
	Excess oil going to dock level circuit	Adjust flow divider for 2.5 to 3.1 GPM flow.
FOAMING OF OIL	Incorrect, low, or dirty oil	Replace, clean or add oil as needed.
	Water in oil	Replace oil
	Air leaks	Check suction line and component seals for suction leaks. Replace defective parts.
NOISY PUMP	Low, incorrect, foamy oil	Replace, clean, or add oil as needed.
	Suction line plugged	Clean out obstruction or replace line. Flush system, replace filter.
	Pump damaged	Repair or place
LEAKY PUMP	Damaged or worn shaft seal	Replace seal and/or shaft and check for misalignment.
	Loose or broken parts	Tighten or replace
CYLINDERS MOVE WITH CONTROL VALVE IN NEUTRAL POSITION	Leaking cylinder seals or fittings	Replace worn seals or fittings.
	Control valve not centering when released	Check linkage for binding and repair
	Valve damaged	Repair or replace.
CONTROL VALVE LEAKS	Seals damaged or worn	Replace.
CYLINDER LEAKS	Seals worn or damaged	Replace.
	Rod damaged	Replace.
	Barrel damaged	Replace.
CYLINDERS DO NOT FUNCTION, OR CREEP WITH PTO DISENGAGED	Leaking fittings or cylinder seals	Tighten loose fittings. Replace worn seals or fittings.
	Counter balance valve or O-ring leak	Replace defective component.



## Remote Control

PROBLEM	PROBABLE CAUSE	SOLUTION
NO FUNCTIONS WORK	Check that transmitter power is on.	Self-explanatory
	Check that transmitter power is on	Self-explanatory
	Check system wiring for power into the system.	Tighten loose connections
	Check LED status display for system status.	Self-explanatory
	Check for proper grounding of system's electrical circuit.	Self-explanatory
	Check system's hydraulic system.	Clean or replace as necessary.
CERTAIN FUNCTIONS DO NOT WORK	Check the wiring connection from the system to the valve coil for the output function that does not work.	Tighten loose connections
	Check LED status display for possible fault or error indication.	Self-explanatory
	Check hydraulic system	Clean or replace as necessary.
	Check electrical system	Tighten loose connections
FUNCTIONS OPERATE INTERMITTENTLY	Loose connector at the valve coil	Tighten loose connections
	Check LED status display for system status	Self-explanatory
	Check receiver antenna for any damage and proper connection.	Service or replace.
	Check hydraulic system.	Clean or replace as necessary.

## Dock Leveler Hydraulics

PROBLEM	PROBABLE CAUSE	SOLUTION
FAILS TO LIFT SEMITRAILER	Insufficient hydraulic supply pressure	Adjust relief valve for 2400-2500 psi.
	Worn hydraulic pump	Service or replace.
	Insufficient volume to dock level circuit	Check compensator in main control valve. Replace if flow to dock level is below 5 GPM.
	Too heavy a load	Reduce load on cylinders.
LOWERS UNEVENLY OR ERRATICALLY	Insufficient volume to dock level circuit	Clean system and new oil and filter.
	Dirty oil in check valves	Use same procedure as above.

## **Dock Leveler Hydraulics**

<b>PROBLEM</b>	<b>PROBABLE CAUSE</b>	<b>SOLUTION</b>
FAILS TO LIFT SEMITRAILER	Insufficient hydraulic supply pressure	Adjust relief valve for 2400-2500 psi.
	Worn hydraulic pump	Service or replace.
	Insufficient volume to dock level circuit	Check compensator in main control valve. Replace if flow to dock level is below 5 GPM.
	Too heavy a load	Reduce load on cylinders.
LOWERS UNEVENLY OR ERRATICALLY	Insufficient volume to dock level circuit	Clean system and new oil and filter.
	Dirty oil in check valves	Use same procedure as above.







**Intertek**

Equipment from Landoll Company, LLC. is built to exacting standards ensured by ISO 9001 registration at all Landoll manufacturing facilities.

**Model 440A/455A  
Semitrailer  
Operator's Manual**

**Re-Order Part Number F-812**

**LANDOLL COMPANY, LLC.**

1900 North Street

Marysville, Kansas 66508

(785) 562-5381

**800-428-5655 ~ WWW.LANDOLL.COM**



Copyright 8/5/24. Landoll Company, LLC.

“All rights reserved, including the right to reproduce this material or portions thereof in any form”