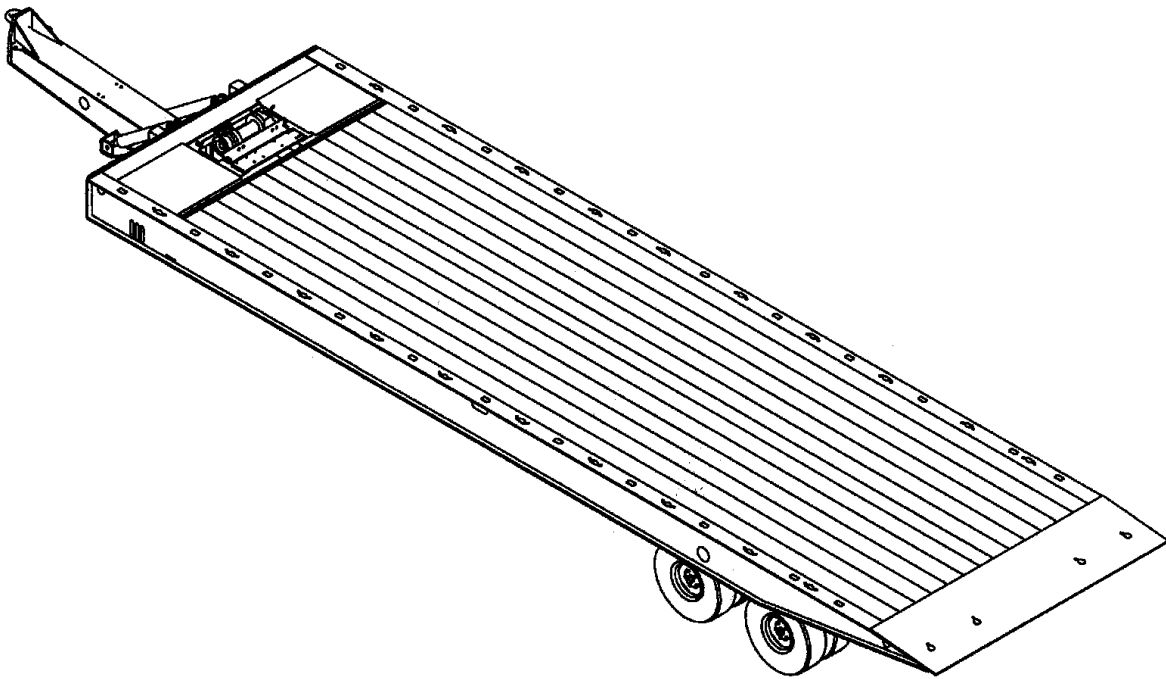




**Model 345E
Trailer
Operator's Manual**



LANDOLL COMPANY, LLC.

1900 North Street
Marysville, Kansas 66508
(785) 562-5381

800-428-5655 ~ WWW.LANDOLL.COM

Table of Contents

1	Introduction	
	Understanding Safety Statements	1-2
2	Standard Specifications	
	MODEL 345E	2-1
	Specific Bolt Torques	2-2
	General Torque Specifications (REV. 4/97)	2-3
	Hydraulic Fitting Torque Specifications	2-4
3	Operating Instructions	
	General	3-1
	Air Brake System	3-1
	Anti-Lock Brake System (ABS)	3-1
	Pre-Coupling of Trailer and Truck	3-2
	Coupling of the Towing Vehicle to the Trailer	3-3
	Connecting Towing Vehicle Services to the Trailer	3-3
	Towing Vehicle and Trailer Hook-Up and Check-Out	3-4
	Towing the Trailer	3-4
	Parking the Trailer	3-5
	Uncoupling Towing Vehicle from Trailer	3-5
	Winch Controls	3-6
	Axle Control Lever	3-7
	Trailer Tilt Lever	3-7
	Loading the Trailer	3-8
	Unloading the Trailer	3-9
	Auxiliary Hydraulic Power Engine Operation	3-12
	Dock Leveler Control	3-13
	Rear Impact Guard System	3-15
	Anti-Lock Brake System (ABS)	3-15
	Remote Control (Option)	3-16
	Cold Weather Operation	3-17
	Hot Weather Operation	3-17

4 Maintenance and Lubrication

General	4-1
Cold Weather Tips	4-1
Hot Weather Tips	4-2
Maintenance Schedule	4-2
Cleaning	4-2
Inspection	4-3
Fluid Leak Classification	4-3
Inspection Overview	4-3
Lubrication	4-3
Repair Parts	4-3
Structural Defects	4-4
Wood Deck Care	4-4
Tools and Equipment	4-4
Torque Values	4-4
Lubrication & Maintenance Schedule	4-5
Lubrication Points	4-5
Lubrication Specifications	4-6
Trailer Maintenance Schedule	4-7
Trailer Maintenance Schedule Notes	4-8
Hydraulic Engine Maintenance Schedule (OPTION)	4-9
Air System Maintenance	4-10
Air System Maintenance Schedule	4-10
Hydraulic Maintenance	4-10
Fluid Leak Classification	4-10
Fluid Leak Classifications	4-10
Hydraulic Maintenance Schedule	4-11
Electrical System	4-11
Suspension Maintenance	4-15
Spring Suspension	4-15
Air Ride Suspension	4-15
Air Ride Height Adjustment	4-15
Alignment	4-16
Wheel Alignment	4-16
Axle Alignment, Air Ride	4-17
Alignment, Air Ride Trailer 1st Axle Procedure	4-17
Alignment, Air Ride Trailer 2nd & 3rd Axle Procedure	4-18
Axle Alignment, Spring Ride	4-20
Alignment, Spring Ride Trailer 1st Axle Procedure	4-20
Alignment, Spring Ride Trailer 2nd & 3rd Axle Procedure	4-20

Brake System Maintenance	4-21
General	4-21
Spring Air Brake	4-21
Replacing the Spring Air Brake Unit	4-21
Caging the Power Spring in the Spring Chamber	4-21
Uncaging the Power Spring in the Spring Chamber	4-22
Removal of Brake Unit	4-22
Installation of Brake Unit	4-22
Tandem Relay Valve Maintenance	4-22
Brake Assembly Maintenance	4-22
Brake Adjustment	4-22
Disassembly for Brakes (See Figure 4-13)	4-23
Reassembly for Brakes	4-23
Automatic Slack Adjusters	4-25
Operational Check (See Figure 4-14)	4-25
Replacing Slack Adjuster	4-26
Adjusting Slack Adjuster	4-26
Hub and Drum Maintenance	4-26
Wheel Bearing Lubrication and Adjustment	4-28
Adjustment	4-28
Tire Maintenance	4-29
Tire Inflation	4-29
Tire Matching	4-29
Tape Measuring Method	4-29
Straight Edge or String Method	4-29
Mounting Tire and Wheel	4-31
Winches	4-31

5 Troubleshooting Guide

Electrical	5-1
Tires-Wheels-Suspension	5-2
Brakes	5-4
Brake Drums	5-6
Hydraulic System	5-8
Dock Level Hydraulics	5-10
Hydraulic Power Supply Engine Package	5-11

Introduction

The Landoll Model 345E trailer is a quality product designed to give years of trouble free performance. By following each section of this manual, your system will perform as designed for you and your operation

CHAPTER 1	gives basic instructions on the use of this manual.
CHAPTER 2	gives specifications for the trailer, including measurements and component specifications. A Standard Bolt Torque Table is provided to give guidelines for bolt torques to be used when servicing this product.
CHAPTER 3	gives instructions for the proper operation of your Model 345E trailer.
CHAPTER 4	gives general maintenance procedures, a maintenance schedule, and a lubrication schedule. NOTE: IF THE EQUIPMENT IS IMPROPERLY ASSEMBLED OR MAINTAINED, THE WARRANTY IS VOID. IF YOU HAVE ANY QUESTIONS CONTACT: LANDOLL COMPANY, LLC. 1900 NORTH STREET MARYSVILLE, KANSAS 66508 or phone: (785) 562-5381 or (800) 428-5655 or FAX: (888) 527-3909
CHAPTER 5	is a troubleshooting guide to aid in diagnosing and solving problems with the equipment.
PARTS MANUAL	is a separate manual showing the various assemblies, sub-assemblies, and systems. Refer to that manual when ordering Landoll replacement parts. Order parts from your Landoll dealer.
WARRANTY	The Warranty Registration form is included with the product documents. Fill it out and mail it within 10 days of purchase. NOTE: IMPROPER ASSEMBLY, MODIFICATION, OR MAINTENANCE OF YOUR LANDOLL MACHINE CAN VOID YOUR WARRANTY.
COMMENTS	Address comments or questions regarding this publication to: LANDOLL COMPANY, LLC. 1900 NORTH STREET MARYSVILLE, KANSAS 66508 ATTENTION: PUBLICATIONS -DEPT. 55

Understanding Safety Statements

You will find various types of safety information on the following pages and on the machine signs (decals) attached to the vehicle. This section explains their meaning.

The Safety Alert Symbol means ATTENTION! YOUR SAFETY IS INVOLVED!



DANGER

Danger means a life-threatening situation exists. Death can occur if safety measures or instructions on this label are not properly followed.



WARNING

Warning means serious injury or death can occur if safety measures or instructions on this label are not properly followed.



CAUTION

Caution means serious equipment or other property damage can occur if instructions on this label are not properly followed.

IMPORTANT

Means that failure to follow these instructions could cause damage to the equipment or cause it to operate improperly.

NOTE

Make sure you read and understand the information contained in this manual and on the machine signs (decals) before you attempt to operate or maintain this vehicle.

The safety statements contained in this manual relate to the operation of the Model 345E Trailer.

Chapter 2

Standard Specifications

MODEL 345E	
CAPACITY*	40,000 LB. DISTRIBUTED, 30,000 LB. CONCENTRATED IN 10'
OVERALL LENGTH (WITH 48" HITCH):	35'-2"
OVERALL WIDTH:	96" OR 102"
WEIGHT (102" WIDE, SPRING SUSPENSION, 7' HITCH, WOOD DECK, 12M WINCH):	12,000 LBS.
HITCH:	PINTLE HOOK W/ HYDRAULIC TILT
LENGTH	48", 60" OR 84"
HYDRAULIC TRAVELING AXLE:	10'-6"
GROUND LOAD ANGLE:	9°
DOCK LEVELER CAPACITY (OPTION):	62,000 LB.
HYDRAULIC HOOKUP:	
QUICK COUPLERS	3/4"
MAXIMUM OPERATING PRESSURE	2500 PSI
OPERATING FLOW	17 GPM
ELECTRICAL HOOKUP:	7-WAY CONNECTOR
AIR HOOK UP:	GLAD HANDS
* CAPACITY RATINGS ARE FRAME CAPACITIES ONLY. ACTUAL LOAD CAPACITIES MAY BE RESTRICTED BY FACTORS SUCH AS GROSS AXLE WEIGHT RATINGS (GAWR) OR STATE AND FEDERAL REGULATIONS.	

STANDARD SPECIFICATIONS

Specific Bolt Torques	
AIR RIDE SUSPENSION:	
EQUALIZER PIVOT AND ADAPTER BOLTS (DESIGNATION ON BOLTHEAD)	
NEWAY	800 FT.-LBS.
HOLLAND NEWAY	550 FT.-LBS.
SHOCK ABSORBER MOUNTING	150 FT.-LBS.
AIR SPRING MOUNTING: 1/2"	35 FT.-LBS.
AIR SPRING MOUNTING: 3/4"	35 FT.-LBS.
SPRING RIDE SUSPENSION:	
1" - TORQUE ARM BUSHING NUTS	(THREADS OILED) 540 FT.-LBS.
7/8" - TORQUE ARM BUSHING NUTS	(THREADS OILED) 250 FT.-LBS.
5/8" - TORQUE ARM CLAMP NUTS	(THREADS OILED) 130 FT.-LBS.
1/2" - TORQUE ARM CLAMP NUTS	(THREADS OILED) 55-60 FT.-LBS.
7/8" - U-BOLT CLAMPS	(THREADS OILED) 300-350 FT.-LBS.
3/4" - U-BOLT CLAMPS	(THREADS OILED) 310 FT.-LBS.
WHEEL FASTENERS - ALL MODELS:	
OUTER SPINDLE NUTS	250-400 FT.-LBS.
PILOT WHEEL NUTS	450-500 FT.-LBS.
HUB CAPS	10-20 FT.-LBS.
CAM FOLLOWERS, 4" (THREADS GREASED)	250 FT.-LBS.

Table 2-1: Specific Bolt Torques

LANDOLL COMPANY, LLC.
General Torque Specifications (REV. 4/97)

THIS CHART PROVIDES TIGHTENING TORQUES FOR GENERAL PURPOSE APPLICATIONS WHEN SPECIAL TORQUES ARE NOT SPECIFIED ON PROCESS OR DRAWING.

ASSEMBLY TORQUES APPLY TO PLATED NUTS AND CAPSCREWS ASSEMBLED WITHOUT SUPPLEMENTAL LUBRICATION (AS RECEIVED CONDITION). THEY DO NOT APPLY IF SPECIAL GRAPHITE MOLY-DISULFIDE OR OTHER EXTREME PRESSURE LUBRICANTS ARE USED.

WHEN FASTENERS ARE DRY (SOLVENT CLEANED), ADD 33% TO AS RECEIVED CONDITION TORQUE.

BOLT HEAD IDENTIFICATION MARKS INDICATE GRADE AND MAY VARY FROM MANUFACTURER TO MANUFACTURER.

THICK NUTS MUST BE USED ON GRADE 8 CAPSCREWS.

USE VALUE IN [] IF USING PREVAILING TORQUE NUTS.

TORQUE IS SPECIFIED IN FOOT POUNDS

UNC Size	SAE Grade 2		SAE Grade 5		SAE Grade 8		UNF Size	SAE Grade 2		SAE Grade 5		SAE Grade 8	
1/4-20	4	[5]	6	[7]	9	[11]	1/4-28	5	[6]	7	[9]	10	[12]
5/16-18	8	[10]	13	[16]	18	[22]	5/16-24	9	[11]	14	[17]	20	[25]
3/8-16	15	[19]	23	[29]	35	[43]	3/8-24	17	[21]	25	[31]	35	[44]
7/16-14	24	[30]	35	[43]	55	[62]	7/16-20	27	[34]	40	[50]	60	[75]
1/2-13	35	[43]	55	[62]	80	[100]	1/2-20	40	[50]	65	[81]	90	[112]
9/16-12	55	[62]	80	[100]	110	[137]	9/16-18	60	[75]	90	[112]	130	[162]
5/8-11	75	[94]	110	[137]	170	[212]	5/8-18	85	[106]	130	[162]	180	[225]
3/4-10	130	[162]	200	[250]	280	[350]	3/4-16	150	[188]	220	[275]	320	[400]
7/8-9	125	[156]	320	[400]	460	[575]	7/8-14	140	[175]	360	[450]	500	[625]
1-8	190	[237]	408	[506]	680	[850]	1-14	210	[263]	540	[675]	760	[950]
1-1/8-7	270	[337]	600	[750]	960	[1200]	1-1/8-12	300	[375]	660	[825]	1080	[1350]
1-1/4-7	380	[475]	840	[1050]	1426	[1782]	1-1/4-12	420	[525]	920	[1150]	1500	[1875]
1-3/8-6	490	[612]	110	[1375]	1780	[2225]	1-3/8-12	560	[700]	1260	[1575]	2010	[2512]
1-1/2-6	650	[812]	1460	[1825]	2360	[2950]	1-1/2-12	730	[912]	1640	[2050]	2660	[3325]
1-3/4-5	736	[920]	1651	[2063]	2678	[3347]	1-3/4-12	920	[1150]	2063	[2579]	3347	[4183]

METRIC

COARSE THREAD METRIC CLASS 10.9 FASTENERS AND CLASS 10.0 NUTS AND THROUGH HARDENED FLAT WASHERS, PHOSPHATE COATED, ROCKWELL "C" 38-45.

USE VALUE IN [] IF USING PREVAILING TORQUE NUTS.

Nominal Thread Diameter mm	Standard Torque		Nominal Thread Diameter mm	Standard Torque	
	Newton-Meters	Foot-Pounds		Newton-Meters	Foot-Pounds
6	10	[14]	7	10	[10]
7	16	[22]	12	16	[16]
8	23	[32]	17	24	[24]
10	46	[60]	34	47	[47]
12	80	[101]	60	75	[75]
14	125	[155]	90	115	[115]
16	200	[240]	150	180	[180]
18	275	[330]	205	245	[245]

Table 2-2: General Torque Specifications

STANDARD SPECIFICATIONS

LANDOLL COMPANY, LLC.
Hydraulic Fitting Torque Specifications
37° JIC, ORS, & ORB (REV. 10/97)

THIS CHART PROVIDES TIGHTENING TORQUES FOR HYDRAULIC FITTING APPLICATIONS WHEN SPECIAL TORQUES ARE NOT SPECIFIED ON PROCESS OR DRAWING.

ASSEMBLY TORQUES APPLY TO PLATED CARBON STEEL AND STAINLESS STEEL FITTINGS ASSEMBLED WITHOUT SUPPLEMENTAL LUBRICATION (AS RECEIVED CONDITION). THEY DO NOT APPLY IF SPECIAL GRAPHITE MOLY-DISULFIDE OR OTHER EXTREME PRESSURE LUBRICANTS ARE USED. BRASS FITTINGS AND ADAPTERS - 65% OF THE TORQUE VALUE FOR STEEL. STAINLESS STEEL, ALUMINUM AND MONEL - THREADS ARE TO BE LUBRICATED.

TORQUE IS SPECIFIED IN FOOT POUNDS

PARKER BRAND FITTINGS			
Dash Size	37 Degree JIC	O-Ring (ORS)	O-Ring Boss (ORB)
-4	11-13	15-17	13-15
-5	14-16	—	21-23
-6	20-22	34-36	25-29
-8	43-47	58-62	40-44
-10	55-65	100-110	57.5-62.5
-12	80-90	134-146	75-85
-16	115-125	202-218	109-121
-20	160-180	248-272	213-237
-24	185-215	303-327	238-262
-32	250-290	—	310-340
GATES BRAND FITTINGS			
Dash Size	37 Degree JIC	O-Ring (ORS)	O-Ring Boss (ORB)
-4	10-11	10-12	14-16
-5	13-15	—	—
-6	17-19	18-20	24-26
-8	34-38	32-40	37-44
-10	50-56	46-56	50-60
-12	70-78	65-80	75-83
-14	—	65-80	—
-16	94-104	92-105	111-125
-20	124-138	125-140	133-152
-24	156-173	150-180	156-184
-32	219-243	—	—
AEROQUIP BRAND FITTINGS			
Dash Size	37 Degree JIC	O-Ring (ORS)	O-Ring Boss (ORB)
-4	11-12	10-12	14-16
-5	15-16	—	18-20
-6	18-20	18-20	24-26
-8	38-42	32-35	50-60
-10	57-62	46-50	72-80
-12	79-87	65-70	125-135
-14	—	—	160-180
-16	108-113	92-100	200-220
-20	127-133	125-140	210-280
-24	158-167	150-165	270-360
-32	245-258	—	—

Table 2-3: Hydraulic Fitting Torque Specifications

Operating Instructions

General

This section supplies information for operation of the trailer. It describes and locates controls and gives general operation procedures. Read all instructions, warnings, cautions and danger notes before attempting to operate the trailer. Operators must have proper training before operating the trailer.

A hydraulic pump must be coupled to the trailer hydraulic system, or the optional hydraulic engine package started, before using hydraulic controls.



WARNING

Do not operate the trailer with any known fault that might endanger the occupants, nearby workers, other traffic, the load, or the equipment.



WARNING

Do not operate the trailer until you have read the operator's manual and completely understand the proper use and function of all controls. Improper use can cause personal injury, damage to your trailer and cargo, and cause time-consuming breakdowns.

Air Brake System

The air brake system of the trailer is operated from the towing vehicle after coupling. The towing vehicle's air system must be coupled to the trailer and charged to 90 psi minimum before the brakes can adequately function.

Anti-Lock Brake System (ABS)

The Anti-Lock Brake System of the trailer is constant powered by the auxiliary (blue) circuit of the seven way electrical connector, with backup power from the stop lamp (red) circuit, and ground through the white wire. It is necessary that the blue circuit is hot when the tractor key switch is on. The blue circuit on the trailer may also not be used to power any additional auxiliary devices while the semitrailer is moving forward. If a fault exists in the ABS, normal braking will occur, but the wheels may lock. Service the ABS as soon as possible.



CAUTION

The auxiliary (blue) circuit is for powering the semitrailer ABS. This circuit must be hot when the tractor key switch is on. No other electrical devices may be powered by this circuit while the trailer is moving forward.



CAUTION

If a fault exists in the trailer ABS, normal braking will occur, but wheels may lock. Service the ABS as soon as possible.

Pre-Coupling of Trailer and Truck

1. Slowly back the truck (towing vehicle) up to the front end of the trailer so the hitch of the trailer is centered with the truck. Stop the towing vehicle just inches ahead of the trailer. Set truck parking brake.
2. The bolt on hitch can be adjusted to different heights. Make sure the hitch height is at the correct height so the trailer deck is about parallel to the ground when loaded.
3. Make sure the towing truck hitch height is at the correct height so the trailer deck is about parallel to the ground when loaded.
4. If the trailer hydraulics are powered by the truck hydraulics clean the hydraulic quick couplers and connect the trailer to the truck hydraulic couplers. If trailer is equipped with auxiliary engine hydraulic power start the engine and, after warm up, advance throttle to desired speed.
5. Check the trailer hitch height. The hitch should be the same height, to slightly higher, than the hitch of the towing vehicle. If the trailer hitch is bolted to the trailer at the correct height, **according to Steps 2 and 3**, raise or lower the hitch by operating the bed tilt hydraulics until the proper height has been obtained.



CAUTION

Operating pressures greater than 2500 psi can cause damage to the trailer.



WARNING

Failure to chock trailer wheels could allow movement of the trailer resulting in serious personal injury, death, or damage to property in its path.

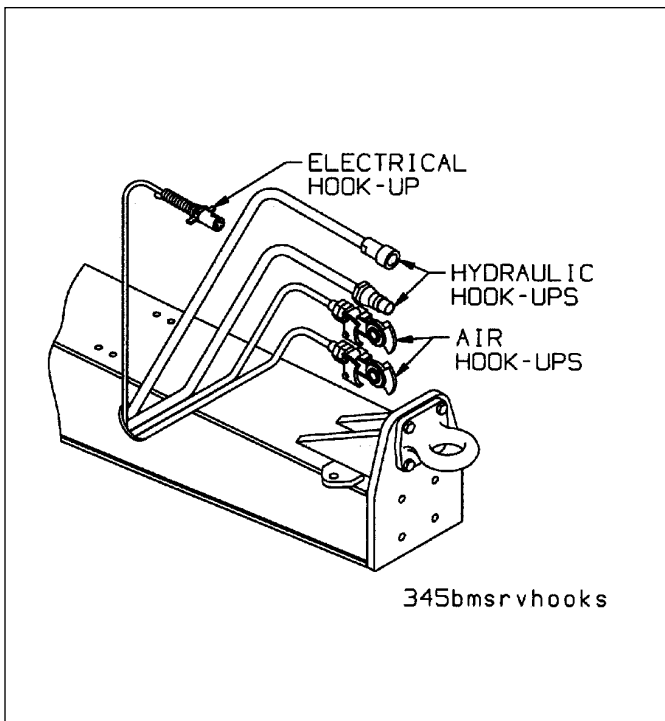


Figure 3-1: Service Hookups

6. Connect the service and emergency air hoses of the towing vehicle to their respective gladhand on the trailer. The towing vehicle's air hose couplings are attached and locked to the appropriate gladhands; **red emergency line** to the gladhand with the "EMERGENCY" tag, and the **blue service line** to the gladhand with the "SERVICE" tag (See **Figure 3-1.**)
 - a. Check the air brake operations of the trailer as follows:
 - Apply brakes and inspect brake action on all wheels for prompt application.
 - Release brakes. All brakes should release immediately. Air pressure should discharge quickly from the booster valve.
 - Disconnect the emergency air line from the trailer gladhand. Trailer brakes should promptly set.
 - Re-connect the emergency air line to the trailer. The trailer brakes should release.
 - b. Set the trailer brakes.

Coupling of the Towing Vehicle to the Trailer



DANGER

Keep all personnel clear of front, rear, and sides of towing vehicle and trailer during coupling, component operations, and uncoupling. Failure to stay clear can result in serious personal injury or death.

1. Verify the trailer wheels are chocked and brakes function properly.
2. Make sure the towing vehicle's coupler is open.
3. Raise or lower the pintle hitch eye to hitch height by activating the bed tilt hydraulic lever, which is the front most lever of the three levers (See "Trailer Tilt Lever" on page 3-7.)



CAUTION

Pushing the trailer backwards can damage parking stands.

4. Slowly back the towing vehicle so the hitch contacts the trailer hitch. Make sure the hitch is centered and will properly connect up. Set the vehicle brakes.
5. Lower pintle eye onto truck hitch by tilting bed up and lock the hitch in place.
6. Raise the landing gear (parking stands) by first tilting the bed up, activating the front hydraulic lever until the landing gear is off the ground. Remove pins from landing gear and slide landing gear fully up to stowed position. Insert and lock pin holding landing gear in stowed position. Fully lower bed tilt.

IMPORTANT

Keep brakes engaged for remainder of hookup, check-out procedures, and for parking.

Connecting Towing Vehicle Services to the Trailer

1. Connect the electrical receptacle on the front of the trailer to the towing vehicle (See Figure 3-1.) Insure all lights function properly when energized by towing vehicle electrical action.

IMPORTANT

The key on the plug and the keyway in the socket must be properly aligned before inserting the plug into the trailer socket.

2. It is necessary that the tractor blue wire is connected to the appropriate electrical source on the tractor.

Towing Vehicle and Trailer Hook-Up and Check-Out



WARNING

Failure to properly set and check parking brake, and chock wheels when parking and during storage, could allow movement of the truck/trailer rig resulting in serious personal injury, death, or damage to property in its path.

1. Assure landing gear is raised up all the way.
2. Attach safety chains from the trailer to the towing vehicle.
3. Check your maintenance schedule and be sure everything is up-to-date.
4. Set parking brake. If brakes are not properly set, the truck/trailer may roll when removing wheel chocks. Carefully remove all wheel chocks.

Towing the Trailer



DANGER

Always check behind and under the truck and trailer for persons or objects before moving. Failure to check can lead to serious personal injury or death to others, or damage to property.

1. Driving the towing vehicle with the trailer coupled behind requires constant attention to the overall length of the combination. Turning, passing, acceleration, braking, stopping, and back-up require special attention to the “hinged-in-the-middle” configuration of the trailer. When executing steep grades or turning tight curves, the trailer must not be allowed to push the towing vehicle, or jackknifing the trailer with the towing vehicle may result. Application of the trailer brakes to keep the trailer in tow will help prevent this pushing. Braking should begin before descending a hill or attempting a curve, to assure control.

2. Make a moving test of the trailer brakes at low, and medium speeds *before* traveling at highway speed.
 - a. The Anti-Lock Brake System (ABS) warning lamp mounted at left rear side of the trailer should come on when power is supplied to the ABS by turning the tractor keyswitch on. The warning lamp should go off once the trailer exceeds 4 mph. Once the vehicle speed exceeds 4 mph, the light should remain off unless a fault occurs or the keyswitch is turned off, then on again.



CAUTION

If a fault exists in the trailer ABS, normal braking will occur, but wheels may lock. Service the ABS as soon as possible.

- b. If the warning lamp does not go off, a fault exists in the trailer ABS. If a fault exists, service using the anti-lock brake system section or the troubleshooting section of this manual.
3. Monitor the air pressure gauge on the dash of the towing vehicle. Pressure should not fall below 105 psi at any time.
 4. The trailer wheels track to the inside of the towing vehicle during turns. Thus, turning corners requires a wide swing to prevent “curb hopping”, and to allow the trailer to clear any obstacle on the inside of the corner.
 5. To stop, use a gradual and smooth application of brakes.
 6. Backing should be done with care. Tail overhang, trailer length, and allowable space must be taken into consideration.
 7. The load on the trailer should be positioned so a minimum of 8% of the total weight and a maximum of 30% of the total weight is on the hitch.

Parking the Trailer

1. Position truck/trailer rig on a level, solid surface.
2. Set the *PARKING BRAKE*, *not the trailer hand brake*, and check for proper brake holding.
3. Chock wheels of trailer.
4. Check for any air leaks in lines, relay valve, brake air chamber, or any other air system component.

Uncoupling Towing Vehicle from Trailer

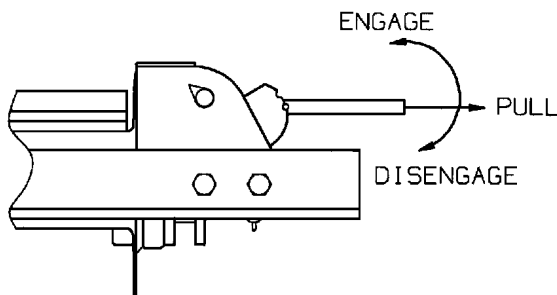
1. Park the trailer according to instructions in “**Parking the Trailer**” on page 3-5.
2. Disconnect emergency and service air lines.
3. Disconnect the electrical cable and store so end is not on the ground.
4. Disconnect safety chains from the towing vehicle.
5. Lower the landing gear to the ground. Tilt trailer bed up so next landing gear pin hole is available. Install and lock landing gear pins. Unlock pintle hitch. Tilt trailer bed down until pintle hitch eye lifts off pintle hook.
6. Shut off towing vehicle hydraulic supply, disconnect hydraulic hoses.
7. Verify that all service lines and safety chains are disconnected and trailer wheels are chocked.
8. Pull towing vehicle away from the trailer.

Winch Controls



DANGER

1. The winch is not designed or intended to be used for lifting or moving people. Using it this way can cause serious injury or death.
2. Make certain the winch cable spool clutch is set to engage and clutch is fully engage before load tension is applied to winch cable. Never attempt to disengage the winch cable spool when the cable is under tension. Loss of load control, property damage, injury or death can result.
3. Failure to leave at least five winch cable wraps on the winch cable spool could allow the cable to come off the spool, resulting in serious personal injury or death.



3mg410-011100

Figure 3-2: Winch Clutch Handle

1. The **12,000# WINCH CLUTCH HANDLE** is on the curbside of the winch assembly (See Figure 3-2.) The 12,000 pound winch clutch handle has two positions that engage or disengage the winch spool:
 - DISENGAGE
In this position, the winch is disengaged. This allows the spool to “free-wheel”. This is only used when there is no load on the winch cable. This feature allows the cable to be pulled out fairly fast and does not require operating the hydraulic system.
 - ENGAGE
In this position, the winch is engaged. Cable may be “power” spooled on or off the winch spool. The winch is now controlled by the Winch Hydraulic Lever.



CAUTION

A minimum of 5 wraps of cable must be left on the winch drum.

2. The **HYDRAULIC WINCH CONTROL LEVER** is the center lever (See Figure 3-3.) It has three positions:
 - UP
In this position, the winch reels the winch cable in.
 - CENTER
This is the neutral position. This position has some holding power, but cannot be relied upon to hold a load during transport.
 - DOWN
In this position, the winch reels the winch cable out.

Axle Control Lever

The **AXLE CONTROL LEVER** is located on the front, lower deck of the driver's side frame member (See **Figure 3-3.**) It is the rear lever with three positions:

- UP
In this position, the undercarriage slides forward for loading.
- CENTER
This is neutral position.
- DOWN
In this position, the undercarriage slides to the rear.

Trailer Tilt Lever

The **TRAILER TILT LEVER** is located on the front lower deck of the driver's side frame member (See **Figure 3-3.**) It is the front lever with three positions:

- UP
In this position, the front of the trailer raises.
- CENTER
This is neutral position.
- DOWN
In this position, the front of the trailer lowers.

 **WARNING**

For safe trailer operation, the traveling axles must be in the rear most position for highway use.

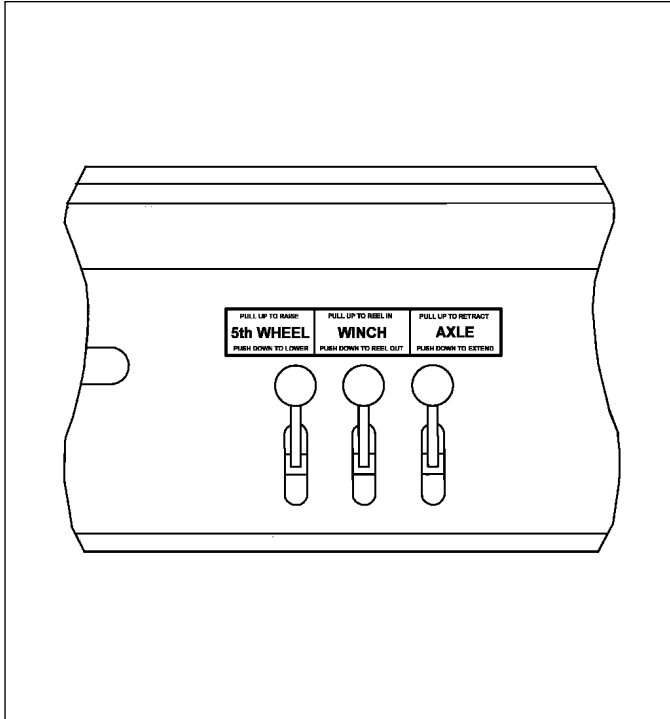


Figure 3-3: Hydraulic Controls

Loading the Trailer

1. Practice all standard industrial safety standards (See **Figure 3-4.**) Do not load any payload that will overload any component of the trailer or cause an unsafe condition.
2. Proper operation requires that the undercarriage be pulled fully forward to create lowest load angle.
3. Park the tractor/trailer in a straight line on level even surface. Set the tractor brakes and release the trailer brakes (See **Figure 3-4.**)
4. Start operation of hydraulic power system. If the hydraulic engine package is installed start and warm up engine following engine operating instructions in “**Auxiliary Hydraulic Power Engine Operation**” on **page 3-12 (Read engine operator’s manual.)**
5. Alternate between moving the undercarriage forward (out of pockets) and tilting the front of the bed up until the undercarriage is fully forward and the approach plate is on the ground. The weight of the trailer bed should rest partly on approach plate and partly on undercarriage. The object is to have the approach plate resting on the ground whenever the center of gravity of the trailer and load is behind the rear axle of trailer. In loading position, the approach plate should be resting on the ground and the undercarriage fully forward.



CAUTION

Do not allow the back trailer axle to leave the ground. This can result in damage to the trailer.



WARNING

In loading or unloading position, the approach plate should be resting on the ground.



WARNING

Always use low load angle to load and unload powered products.

6. Winch or drive the load onto the trailer. Insure that the load is steering straight up onto the semitrailer and does not maneuver off the side of the trailer. Continue until load center of gravity is just ahead of the axles, if possible. The load should never place more weight on the pintle hitch than on the rear axles during loading and unloading.



CAUTION

Maximum concentrated load in a 10 ft. area is 30,000 lbs.



WARNING

1. The trailer must be coupled to a tractor and the landing gear raised off the ground before operating.
2. Do not exceed the gross axle weight ratings for any axle on your vehicle. The combined weight of the trailer and cargo must not exceed the gross vehicle weight rating (GVWR) of the trailer.

**WARNING**

The center of gravity of the load must be in front of the rear axle whenever the approach plate is not supported by the ground. Failure to do this can cause the trailer to tilt back resulting in injury or death.

7. Securely tie down the load and attach the winch cable to the front of the load, if it is not already attached. Reel in winch cable until it becomes tight. (Winch cable serves as a safety tiedown in case load tiedown fails, but is not to replace tie downs.)
8. If the load center of gravity is not ahead of the rear axle, alternate between tilting the front of the bed up and moving the undercarriage to the rear, until the center of gravity of the trailer load is in front of the rear axle. Keep part of the load on the wheels and part on the approach plate. Never move the undercarriage so far to the rear that the approach plate is lifted off the ground during this procedure.
9. When the center of gravity of the trailer and load is in front of the rear axle, fully lower the tilt angle.
10. After bed tilt angle is fully lowered, move the undercarriage to the rear until it is in transport position. The trailer deck will lower as the undercarriage rollers go into pockets. Hold **TRAILER TILT** lever in the down position until hydraulic system works against the bottomed out Hydraulic Tilt Cylinders. Hold **AXLE CONTROL** lever in the transport position until hydraulic system works against the fully extended hydraulic axle cylinder.
11. Check the position of the payload. If between 8% and 30% of the total weight of trailer plus payload is not on the hitch, then properly secure load before removing tie downs. Move payload to proper position, then secure the load using approved standard tie-down methods.
12. Disengage the P.T.O. system of tractor or shut off the hydraulic power engine.
13. Recheck that the load is properly secured. Assure maintenance schedule is up-to-date and trailer is ready to be pulled.

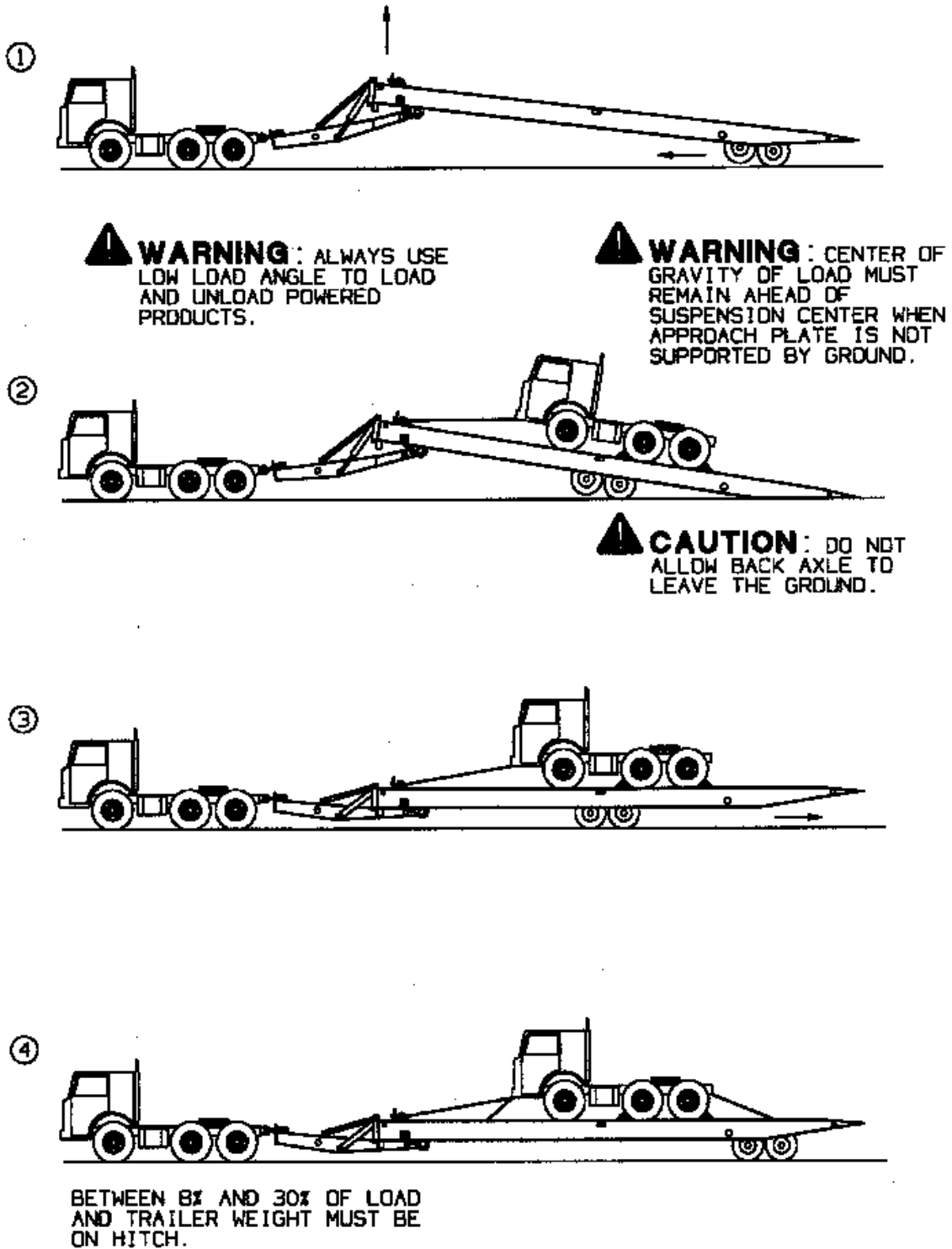
Unloading the Trailer

**WARNING**

Never tilt the trailer without the load properly restrained. Failure to do so may result in the load moving resulting in serious personal injury, death, or damage to property in it's path.

**WARNING**

Do not pull the rear axle of trailer farther forward than the center of gravity of the payload when rear approach plate is off the ground. Failure to operate correctly can allow front of trailer to go up and pull towing truck off the ground resulting in serious personal injury, death, or damage to property in its path.



3ma573-010500

Figure 3-4: Steps for Loading and Unloading

1. Practice all standard industrial safety standards (See **Figure 3-4.**)
2. Park towing vehicle and trailer on relatively level ground.
3. Set towing vehicle's brakes.
4. Engage the P.T.O. or start the hydraulic power engine.
5. Pull the axles forward, out of their pockets.
6. Alternate between raising the trailer and pulling the axles forward until the approach plate touches the ground. Never pull the axles forward so far that center of gravity of the load and trailer are behind the rear axle of the trailer unless the approach plate is on the ground. Always use low load angle to unload powered products. To achieve low load angle, the undercarriage has to be all the way forward. The object is to keep a part of the weight on the approach plate, and part of the weight on the wheels while lowering the tilt angle. The maximum load angle is only intended, if required, for unloading non-powered products and to transfer load to tractor. Transfer load to tractor by raising deck and moving axles toward rear until load is forward of the rear axle, thus transferring load to tractor.
7. If load is non-powered, insure that the winch cable is firmly attached to the load and tension is on the cable. Tilt trailer according to procedure described in **step 6.** With winch cable firmly attached to load, remove other load securing devices. Use the winch to assist the load down to the end of the approach plate. With end of load resting on the ground, block load from rolling or sliding, if necessary. Disconnect the winch and move the trailer from under the load, allowing the load to move off trailer to the ground.



WARNING

When removing load, insure that the load is steering straight so it does not maneuver off the side of the trailer. Failure to do so could result in damage to equipment, injury, or death.

8. If load is powered, tilt trailer according to **step 6.** Make sure the trailer tilt is at the lowest load angle. Remove safety secure devices. Take tension off winch cable and remove winch cable. Power load off the trailer.
9. Before returning the trailer to transport position, insure that there is sufficient distance between the load and the rear of the trailer so that the trailer does not hit the load when being folded back to transport position.



CAUTION

Before returning the trailer to transport position, insure that there is sufficient distance between the load and the rear of the trailer. Failure to do so may result in damage to the trailer and/or load.

10. Tilt the bed down and move undercarriage rearward to transport position. Hold TRAILER TILT lever in the down position until hydraulic system works against the bottomed out Hydraulic Tilt Cylinders. Hold AXLE CONTROL lever in the transport position until hydraulic system works against the fully extended hydraulic axle cylinder.
11. Reel in winch cable and secure hook.
12. Disengage the P.T.O. system of tractor or shut off the hydraulic power engine.

Auxiliary Hydraulic Power Engine Operation

1. The Hydraulic Power Supply Engine is used to power the hydraulic functions, should the tractor not be equipped with hydraulic hookups.

IMPORTANT

1. Check the following fluid levels before starting the engine package: engine oil, fuel supply, hydraulic oil. (Check oil level while semitrailer is not tilted as tilting will change the oil level in the tank.
2. If the engine does not crank, check the following on the battery: charge, fluid, terminals, and cables. Take corrective actions as needed.



CAUTION

If the hydraulic fluid level is low during operation, the semitrailer may not operate correctly, resulting in damage to the semitrailer.



CAUTION

Do not crank engine for more than 30 seconds. If engine does not start consult the owner's manual supplied with the engine.

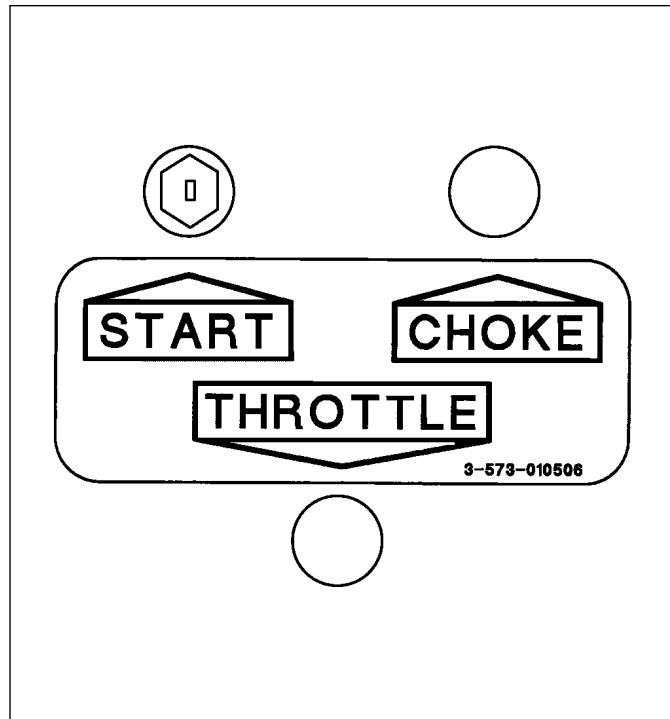


Figure 3-5: Engine Control Panel

2. The Engine Ignition Switch, Choke and Throttle are on the Engine Control Panel mounted on the driver's side of the trailer (See Figure 3-5.)
3. The **HYDRAULIC POWER SUPPLY ENGINE THROTTLE** controls the speed at which the engine operates (See Figure 3-5.) It is a variable position control:
 - HIGH
In this position, the engine throttle is fully open, letting it run at full speed.
 - LOW
In this position, the engine throttle is closed, letting the engine run at a slow idle.
4. To start pull the choke completely out and set the throttle to the LOW position.
5. Turn the ignition key to the START position. The engine should crank and then start.
6. When the engine starts, release the key. Gradually push the choke lever in until the engine runs smoothly.
7. Black smoke from the exhaust and a rough running engine usually indicate over-choking.
8. To adjust the speed, turn the throttle control in or out, as needed, until the engine runs smoothly at a speed capable of withstanding use of the hydraulic controls. The hydraulic controls should now be functional.
9. Before shutting it off, allow the engine to cool down by running at a slow idle for one to two minutes. Then turn the ignition switch to the off position.
10. Once the engine is cool, turn or push the throttle and choke control completely in and turn the key to the OFF position.

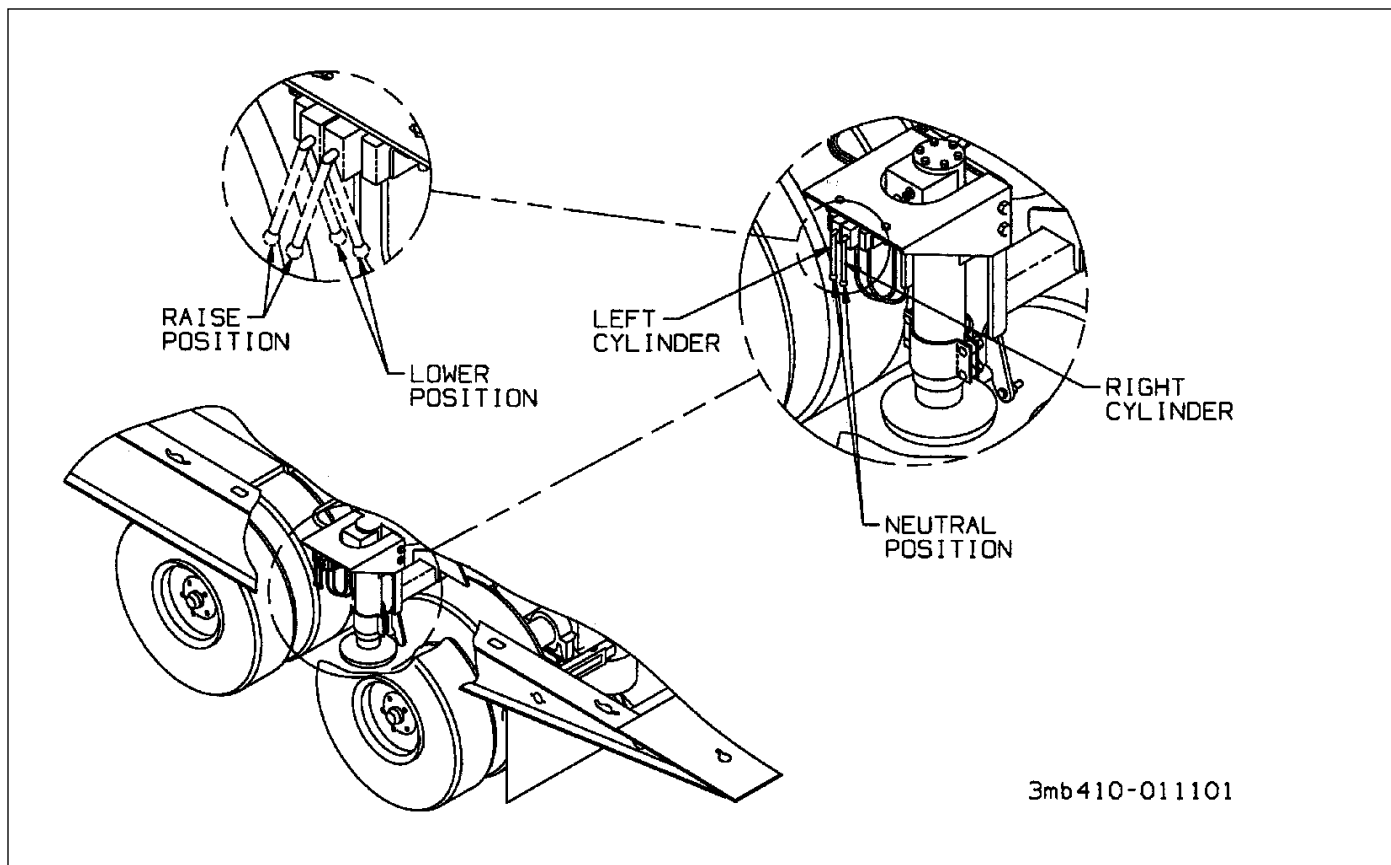


Figure 3-6: Dock Leveler Controls

Dock Leveler Control

1. To activate the dock level hydraulic circuit, turn the lever on the driver's side of the trailer bed near the front up to the engage position.
2. The **DOCK LEVELER CONTROLS** are located under the deck, on the driver's side, between the axles (**See Figure 3-6.**) The front-most control adjusts the cylinder on the driver's or street side of the trailer. The rear-most control adjusts the cylinder on the curb-side of the trailer. Both controls have three positions:
 - IN
When the control for either cylinder is pushed in, toward the center of the trailer, the corresponding side of trailer is lowered.
 - CENTER
This position is neutral for either control. When either control is in this position, there is no effect on either cylinder.
 - OUT
When the control for either cylinder is pulled out, away from the center of the trailer, the corresponding side of trailer is raised.
3. After completion of dock level, turn the lever down to the disengage position.

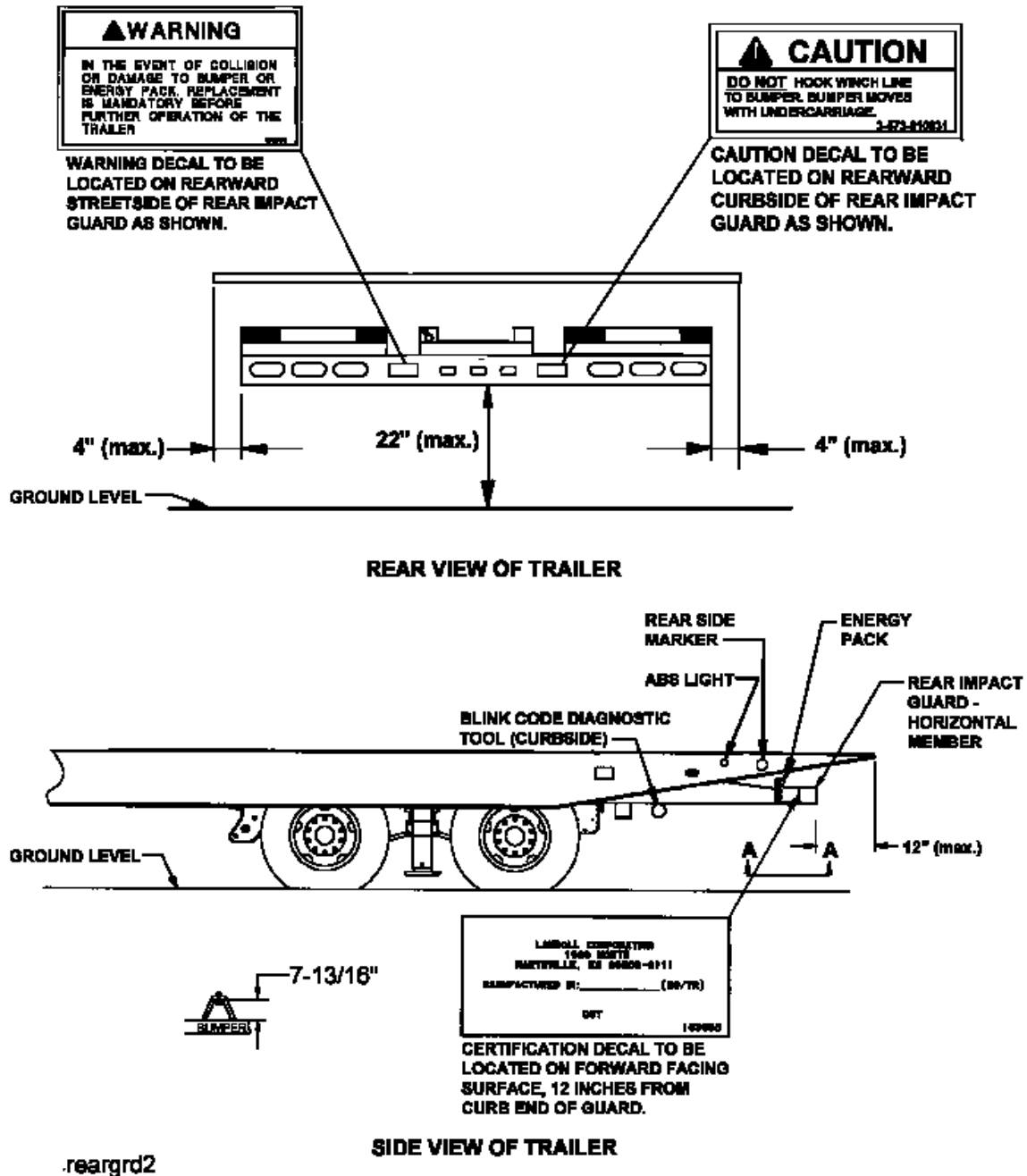


Figure 3-7: Rear Impact Guard and Anti-Lock Brake System

Rear Impact Guard System

Vehicle standards FMVSS No. 224, Rear Impact Protection, requires all trailers manufactured after January 26, 1998 shall be equipped with a rear impact guard certified by the manufacturer as meeting FMVSS No. 223, Rear Impact Guards. The guard, or bumper, meets the following requirements (**See Figure 3-7.**):

- a minimum of 4 inches vertical height
- extend laterally to within 4 inches of the sides of the trailer
- a ground clearance of no more than 22 inches
- placed no more than 12 inches from the rear of the trailer
- capable to deflect 5 inches

The standard also specifies minimum force and energy absorption requirements for the guard. A DOT decal certifies that the guard meets FMVSS No. 223 and 224 standards. The decal is placed **and must remain at all times** on the forward facing surface of the guard, 12 inches inboard of the curb side and of the guard. **See Figure 3-7** for location of decals.

Replace any component that does not allow the above minimum requirements to be met. Any hardware that holds the rear impact guard and becomes damaged or becomes loose shall be removed and replaced. The 3/4" grade 8 screws that hold the bumper energy pack shall be loctited and torqued to 280 ft-lbs.



DANGER

Always check the condition of the rear impact guard system. If guard system has been damaged, it must be replaced. Failure to maintain guard system may result in injury or death to others.

Anti-Lock Brake System (ABS)

Vehicle standards FMVSS No. 121, anti-lock brake system requires all trailers with air brake systems to have ABS after March 1, 1998. Each trailer (including a trailer converter dolly) shall be equipped with an anti-lock brake system that controls the wheels of at least one axle of the trailer. Wheels on other axles of the trailer may be indirectly controlled by the anti-lock brake system.

NHTSA Docket 92-29; notice 11 published September 23, 1996 specifies the ABS warning light be mounted near the rear of the left side of the trailer (**See**

Figure 3-7.)

- decal or lens marking with ABS to identify the lamp
- the lamp must illuminate one time whenever power is supplied to the ABS. At any time the light remains on when power is supplied there is a malfunction to the system.

Tandem axle trailers use a four sensor, two modulator system. Sensors are located at each hub of the front and rear axles, and each modulator controls one side of the trailer.

The ABS is constant powered by the auxiliary (blue) circuit, center pin on the semitrailer seven way electrical connector. This circuit must be hot whenever the tractor keyswitch is on. This circuit must also not be used to power any additional electrical devices while the semitrailer is moving forward. However, additional devices such as remote controls may be powered from the auxiliary circuit while the semitrailer is stationary. Back up power to the ABS is supplied through the stop lamp (red) circuit, No. 4 pin on the seven way connector, and ground is supplied by the white wire, No. 1 pin.



CAUTION

The auxiliary (blue) circuit is for powering the semitrailer ABS. This circuit must be hot when the tractor key switch is on. No other electrical devices may be powered by this circuit while the semitrailer is moving forward.

Malfunction in the ABS is signaled by illumination of the ABS warning lamp located at the left rear side of the semitrailer. The warning lamp will come on and stay on while power is supplied to the ABS on a moving vehicle, if there is a fault. If a fault in the ABS exists, normal braking will still occur, but wheels may lock. The semitrailer is still operable, but the system should be serviced as soon as possible.



CAUTION

If a fault exists in the semitrailer ABS, normal braking will occur, but wheels may lock. Service the ABS as soon as possible.

Remote Control (Option)

1. A wireless six function radio remote control is available (See Figure 3-8.)
2. The wireless radio remote has six momentary push button switches that operate the functions as labeled on the hand held remote.
3. To operate the remote:
 - a. Push ON/OFF power switch on the transmitter to turn ON. The transmitter is designed with power saving feature which turns the transmitter off after 2 minutes if none of the switches are pushed.
 - b. There is a green and red light both inside the receiver and on the transmitter.
 - c. The Green LED on the transmitter and receiver blinks every 1/2 second if there is communication between the transmitter and the receiver. It will blink once a second if there is no communication (i.e. no power to the receiver).
 - d. The Red LED blinks a number of times for each output if there is a short or an open to that output. For example, 4 blinks and a pause means output number 3 has a problem. The transmitter's Red LED also blinks once every second if the batteries are low and need to be replaced.
4. Address programming:
 - a. There are over 64,000 different addresses (identities) for each transmitter and receiver. In many cases both transmitters and receivers are matched at the factory. If matching is required:
 - b. Apply power to the receiver.
 - c. With the transmitter off, press and hold the transmitter's POWER switch, Tilt Down, and Axle Ahead switches simultaneously. At this point, both lights will flash together on and off on the transmitter.
 - d. Press and hold the red push button on the front cover of the receiver for over five seconds.
 - e. Wait until the green and red lights stop blinking together in the transmitter.
5. Specifications:
 - RF: 900 MHz FHSS 10mW
 - Temperature: Operation: -40° to +85° C
 - Storage: -55° to +100° C
 - Output Rating: 5 Amps max each sourcing
 - Encapsulated electronics inside receiver.

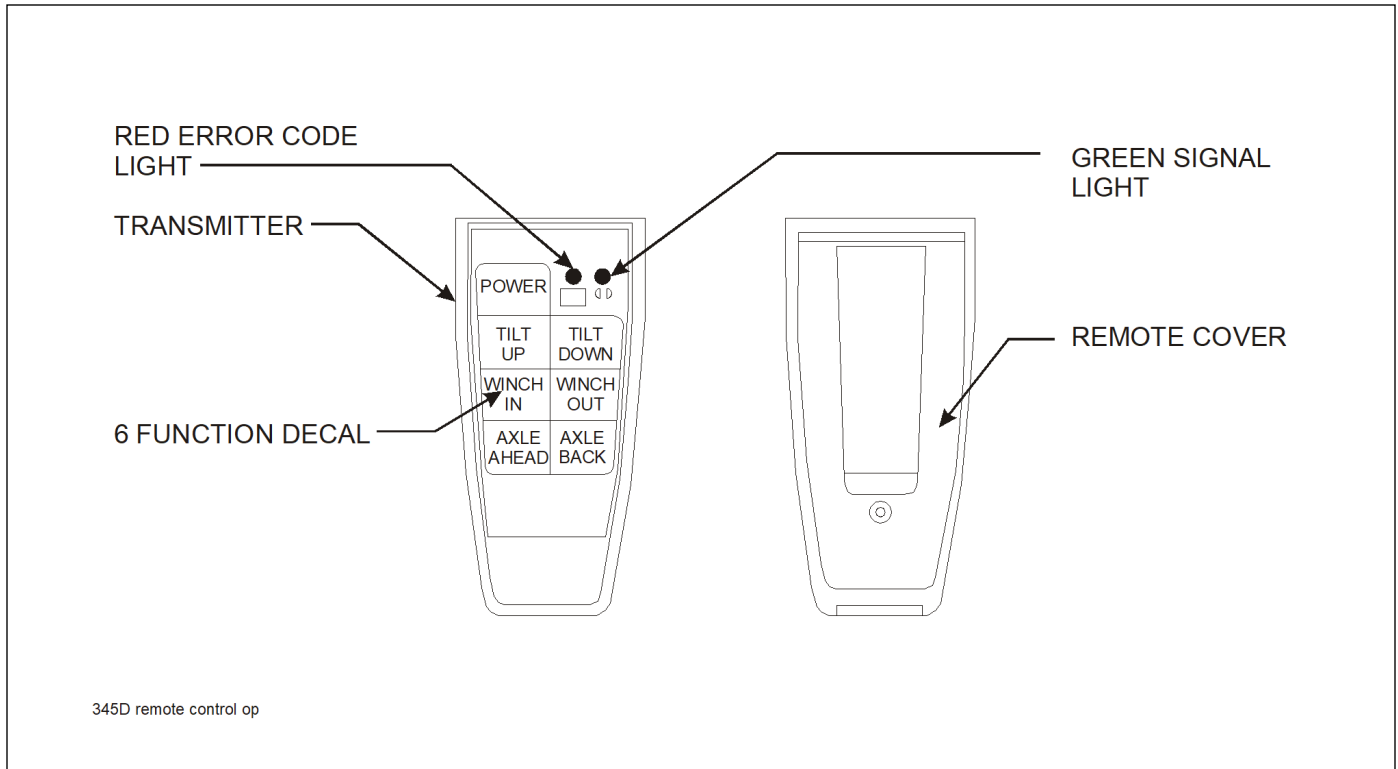


Figure 3-8: Remote Control

Cold Weather Operation

1. Cold weather causes lubricants to congeal, insulation and rubber parts to become hard, which may lead to problems found in bearings, electrical systems, and air systems. Moisture attracted by warm parts can condense, collect and freeze to immobilize equipment. The truck/trailer operator must always be alert for indicators of cold weather malfunctions.
2. During any extended stop period, neither the service nor parking brake should be used as they can freeze up. Use wheel chocks to secure the vehicle from moving.
3. Check all structural fasteners, air system fittings, gaskets, seals and bearings for looseness that can develop due to contraction with cold. Do not over-tighten.
4. Check tire inflation. Tire inflation decreases when the temperature decreases.
5. Periodically check drain holes in the bottom of the relay valve (for trailers with air brakes) and storage compartments. They must be open at all times to avoid moisture entrapment.

Hot Weather Operation

1. Hot weather operation can cause expansion of parts, resulting in tightening of bearings, fasteners, and moving parts. Failure of gaskets or seals can occur.
2. The trailer should be parked in the shade if possible. Long exposure to the sun will shorten service life of rubber components (i.e., tires, light and hose grommets, hoses, etc.) and paint life.
3. Check tire pressure early in the day before beginning operations while the tire is cool. Put all valve stem caps back on after checking.
4. If the area is extremely humid, protect electrical terminals with ignition insulation spray. Coat paint and bare metal surfaces with an appropriate protective sealer.
5. For trailers with air brakes, the use of a filter-lubricator in the towing vehicle's air delivery system is recommended.

Page Intentionally Blank

Maintenance and Lubrication

General



DANGER

Proceed with extreme caution. Failure to heed notice may cause injury or death to the person and/or damage to product and property.

- **DO NOT** operate the trailer with defective, broken or missing parts.
- **DO NOT** operate if both extension pin locks are not fully engaged into the pin lock sockets.
- **ALWAYS** chock trailer wheels to prevent movement of the trailer.

IMPORTANT

Landoll Company, LLC. Is not responsible for any equipment that is not properly maintained. Troubleshooting, Repairing and Servicing must be performed by a trained technician. Requires complex electrical system troubleshooting and repair. It is highly recommended to contact the Landoll Trailer Service Department at Landoll.com or phone 800-446-5175 / 888-522-3634.

For service and repair parts, simply record the equipment serial and model number from the identification plate and contact the Landoll Trailer Service Department at Landoll.com or phone 800-446-5175 / 888-522-3634. for assistance.

This section contains instructions necessary for proper maintenance of the equipment. This equipment is designed for years of service with minimal maintenance. However, proper maintenance is important for durability and safe operation and is an owner/user responsibility.

A well-planned preventive maintenance & inspection program is important to ensure safe and proper function of the equipment. Determine the cause of the broken, damaged or faulty part and get it repaired immediately.

Landoll Company, LLC. is not responsible for any equipment that is not properly maintained.

The operator has the most responsibility for the overall condition of the equipment. They become the most familiar with the feel, function, performance, sight, smell and sound of the equipment. When findings, faults or symptoms are found, they must effectively communicate this in writing or verbally to the technician for repair.

The technician has the responsibility of correcting the findings, faults or symptoms reported by the operator. To include correcting the findings, faults or symptoms found periodically during the technician inspections and services. The technician also has the responsibility to report any findings, faults, symptoms, causes and corrections to their supervisor.

Cold Weather Tips

Cold weather may cause lubricants to thicken and possible solidify, rubber to harden, and metal to contract.

The moisture attracted by warm parts may condense, collect, and freeze causing immobilized components.

Which may lead to problems found in bearings, electrical systems, and air systems.

1. During any extended stop period, neither the service nor parking brake should be used as they can freeze up. Use wheel chocks to secure the vehicle from moving.
2. Check all structural fasteners, air system fittings, gaskets, seals and bearings for looseness that can develop due to contraction with cold. **DO NOT OVER-TIGHTEN.**
3. Check tire inflation. Tire inflation decreases when the temperature decreases.
4. Periodically check drain holes in the bottom of the relay valve (for trailers with air brakes) and storage compartments. They must be open at all times to avoid moisture entrapment.

Hot Weather Tips

Hot weather may cause lubricants to become extremely thin, rubber to soften, and metal to expand.

Moisture attracted by hot parts may condense, collect, and rust causing immobilized components.

1. Hot weather operation can create certain problems which must be checked. Expansion of parts results in tightening of bearings, fasteners, and moving parts. Failure of gaskets or seals can occur.
2. The trailer should be parked in the shade if possible. Long exposure to the sun will shorten service life of rubber components (i.e. tires, light and hose grommets, hoses, etc.) and paint life.
3. Check tire pressure early in the day before beginning operations while the tire is cool. Replace all valve stem caps after checking.
4. If the area is extremely humid, protect electrical terminals with ignition insulation spray. Clean, prime and paint bare metal surfaces.
5. The use of a filter-lubricator in the tractor's air delivery system is recommended.

Maintenance Schedule

Trailer maintenance includes periodic inspection and lubrication.

See Trailer Maintenance Schedule on Page 4-7 for recommended maintenance and lubrication tasks by time interval and accumulated mileage (use whichever occurs first).

See Hydraulic Engine Maintenance Schedule (OPTION) on Page 4-9 for the recommended maintenance tasks for the hydraulic engine package.

Cleaning



WARNING

Proceed with caution. Failure to heed warning may cause injury to person and/or damage product and property.

- **Paint thinner and other solvents are flammable and toxic to eyes, skin, and respiratory tract.**
- **Avoid skin and eye contact.**
- **Good general ventilation is normally adequate.**
- **Keep away from open flames or other combustible items.**

1. Wash trailer to remove all accumulated dirt and grime.
2. Use any mineral spirits paint thinner (or its equivalent) to remove grease and oil from all parts of the trailer. Rinse degreasing solution off with cold water.
 - **DO NOT** use paint thinner to clean any rubber components such as hoses, suspension air bags, and bushings. The paint thinner will dry out the rubber and cause it to deteriorate.
3. Inspect trailer for cause of any reported troubles.
4. Scrape, sand, prime, and repaint areas where finish is missing or where there is evidence of corrosion.
5. Replace any missing or illegible decals. Replace any missing or damaged reflective tape.
6. **See Troubleshooting Guide on Page 5-1** for any trailer system not functioning correctly, or where wear, distortion, or breakage can be found. Administer "REMEDY" according to right-hand column of Troubleshooting guide.
7. After disassembling any components, thoroughly clean dirt and old lubricant from all parts.
 - **DO NOT** use a wire brush on any bearing parts or surfaces. Use a natural or synthetic bristle brush.
 - **DO NOT** use compressed air, or spin bearing parts when cleaning. These practices can throw solvents, dirt, or metal particles into your eyes.
 - Dry clean parts with lint free, clean, soft absorbent, cloth or paper. Wash and dry hands.
8. Inspect seals, seal wiping surfaces, bearing caps, and bearing cones for wear, pitting, chipping, or other damage.

Inspection

These inspections look for broken, defective, and leaking components, structural damage, and functionality of the equipment.

Fluid Leak Classification

Fluid is lost and possible contamination in a leaking system and may cause poor function and premature failure within the components.

Leaks may be visible by signs of wetness appearing around components seals, gaskets, fittings, and hose/line connections. Leaking hoses may also show signs of staining that also indicates leakage.

- If any fittings or connections are loose, tighten.
- If any items are broken or defective report it.
- **Any signs of a leaking fuel system or brake system, DO NOT operate and report it to your supervisor or maintenance immediately.**
- **Report any Class 3 leak to your supervisor or maintenance immediately and DO NOT operate.**
- **Class 1 or 2 leaks may be operated but closely monitored and the fluid level checked more frequently.**
- **Report any leak to your supervisor or maintenance.**

Fluid Leak Classifications:

- **Class 1:** Signs of wetness or stains that do not form drops.
- **Class 2:** Signs of drops forming but not dripping.
- **Class 3:** Signs of drops dripping.

Inspection Overview

1. Inspect the trailer, and trailer parts periodically for damage or signs of pending failure, **See Trailer Maintenance Schedule on Page 4-7.**
 - Damaged or broken parts must be repaired or replaced at once.
 - Determine the cause of any binding or hydraulic leakage at once.
 - Correct the problem before using the tractor or trailer.
2. Use the **Troubleshooting Guide on Page 5-1** to check for “SYMPTOMS” and “PROBLEMS” of any trailer system not functioning correctly, or where wear, distortion, or breakage are found. Administer “REMEDY” according to the right-hand column of the troubleshooting section.

Lubrication

During inspections of the trailer, if lubricants are dirty, those parts should be cleaned with paint thinner, dried, and then lubricated immediately.

Dirt in the lubricant forms an abrasive compound that will wear parts rapidly.

Lubrication Points see:

- **Lubrication Points on Page 4-5.**

Lubrication Numbers and Specifications see:

- **Lubrication Specifications on Page 4-6.**

Maintenance Schedule see:

- **Trailer Maintenance Schedule on Page 4-7.**
- **Trailer Maintenance Schedule Notes on Page 4-8.**
- **Hydraulic Engine Maintenance Schedule (OPTION) on Page 4-9.**

Repair Parts

An operator and parts manual come with the trailer and stored in the manual holder tube located on the side of the gooseneck control box from the factory.

- **These manuals do receive updates. Which may be determined by the revision number of the manual.**
 - The revision number is the last four digits of the manual’s part number.
 - Before 1 January 2023, the revision number format was the month/year (example: 0422).
 - After 1 January 2023, the revision number format changed to the year/month (example: 2301).
- **When re-ordering new or updated manuals, DO NOT include the last four digits of the manual, it may be out of date.**
 - Each manual has its own part number and revision, which may be found at the bottom of the pages (example: F-1234-2401).
 - Both manuals are listed on the backside of the front cover at the bottom of the Instructions for Ordering Parts page.
 - The back cover of each manual lists the replacement part number for that specific manual.

These manuals only cover the most common parts and options.

If a particular part or option is needed:

- **Record the equipment VIN/NIV number from the identification plate and contact your locally authorized Landoll Dealer.**

The operator’s manual covers the operation,

troubleshooting, maintenance procedures and torque limits needed during equipment service and repairs.

It also lists additional manufacturer references to assist in the troubleshooting, servicing, and repairing of outsourced components applied to the equipment at the factory.

Manufacturer references are also available through your locally authorized Landoll Dealer.

The parts manual displays mechanical, air, electrical, hydraulic components (with part numbers), and schematical diagrams.

It is highly recommended that all service and repair parts are acquired through an authorized Landoll Dealer.

- Simply record the equipment VIN/NIV number from the identification plate, build the parts list, and contact a dealer near you.
- To find that dealer, please visit landoll.com, or call 1-800-423-4320 for assistance.

Dealers Only: Parts, Trailer Manuals, and Manufacturer References are available online through the Dealer Portal at dealer.landoll.com.

Structural Defects

If any structural defect is found, the fault must be corrected before further use of the vehicle.

Continued usage could endanger the trailer, its load, personnel, traffic, and properties.

If any cracks or breaks are found, contact the Landoll factory for repairs. Inspect the deck daily for broken or missing planks or missing attachments.

Replace any defective parts promptly.

Wood Deck Care

Sunlight, weather, and the loads being hauled will damage the wooden deck and surface sealer.

Applying a good water sealer that contains a UV inhibitor to all visible surfaces of the deck wood will help protect the wood. Using a hand held roller or hand held pump sprayer, apply every 6 months (recommend spring and fall).

More frequent applications may be required due to environmental conditions and load damage.

Tools and Equipment

Tools, equipment, and personnel normally found in a facility capable of making truck repairs will be adequate for maintenance of the trailer. No other special tools or equipment should be necessary.

Torque Values

See **Specific Bolt Torques on Page 2-2** or **General Torque Specifications (REV. 4/97) on Page 2-3** for standard hardware and hydraulic fittings. They are intended as a guide for average applications involving typical stresses and mechanical surfaces. Values are based on the physical limitations of clean, plated, and lubricated hardware. In all cases, when an individual torque value is specified, it takes priority over values given in this table. Replace original fasteners with hardware of equal grade.

Lubrication & Maintenance Schedule

Lubrication Points

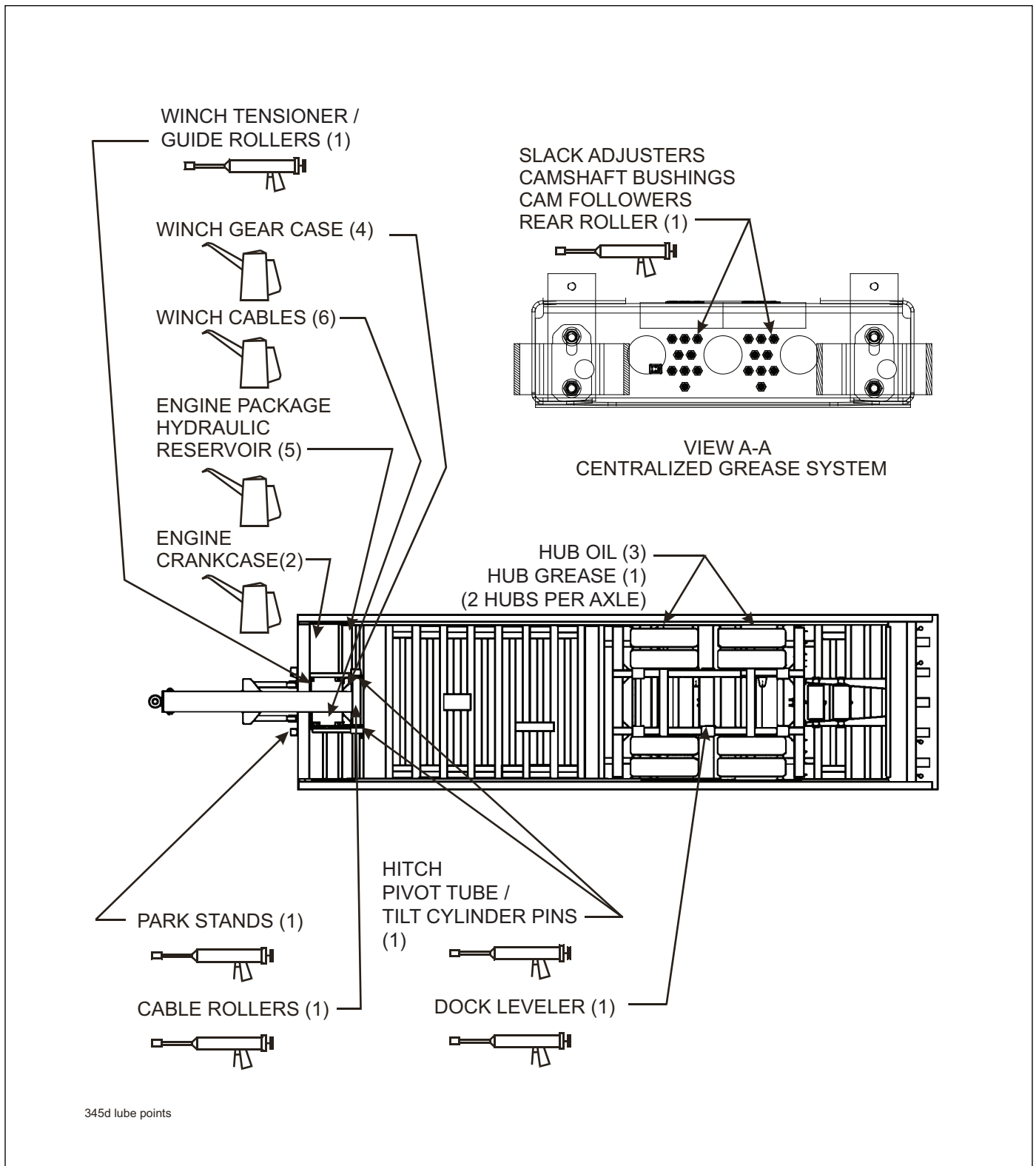


Figure 4-1: Lubrication Points

Trailer Maintenance Schedule							
KEY	C-Clean, I-Inspect, L-Lubricate, R-Replace, T-Tighten/Adjust Torque						
ITEM	1st 5 Hours or 50 Miles (80 Km)	Weekly or 500 Miles (805 Km)	Monthly or 2,000 Miles (3219 Km)	6 Months or 12,000 Miles (19,312 Km)	Yearly or 25,000 Miles (40,234 Km)	LUBE #	NOTES
LIGHTS	I	I					A
WIRING & CONNECTIONS	I		I				A
FASTENERS	I,T		I,T		I,T		A,B
WOOD DECK BOARDS	I	I		APPLY	APPLY	7	A,J
HITCH PIVOT TUBE	I		C,I,L			1	A,C
HITCH TILT CYLINDER PINS	I		C,I,L			1	A,C
LANDING GEAR	I		C,I,L			1	A,C
DOCK LEVELERS	I	I	C,I,L			1	A,H
AIR TANKS DRAINED	DAILY						
AIR SYSTEM FILTER & LUBRICATOR (OPTION)		I, L	I,R (EVERY 3 MONTHS)	I,R	I,R	8	A,K
AIR SYSTEM BRAKE PROTECTION VALVE FILTERS		I	I,R (EVERY 3 MONTHS)	I,R	I,R		A,K
BRAKE AIR SYSTEM	I	I	I				A
RELAY VALVES					I,C		A
BRAKE ADJ & WEAR	I		I,T				A,D
CENTRALIZED GREASE SYSTEM SLACK ADJUSTERS CAMSHAFT BUSHINGS UNDERCARRIAGE ROLLERS	I	I,L				1	A,C
NYLATRON HOLD-DOWN AND GLIDE WEAR STRIPS	I		I	C,I		1	A,G
AXLE HUB OIL (STANDARD)	I	I,L			C,I,R	3	A,C
WHEEL BEARINGS, OIL	I				C,I,T		A,B,F
AXLE HUB GREASE (OPTION)	I	I		C,I,L		1	A,C
WHEEL BEARINGS, GREASE	I			C,I,T			A,B,F
TIRE INFLATION & WEAR	I	I					A,E
WHEEL LUG NUTS	I,T	I	I,T				A,B
SUSPENSION ALIGNMENT & FASTENERS	I		I	I,T	I,T		A,B
AIR RIDE SUSPENSION			I,T		I,T		A
UNDERCARRIAGE TRAVEL CYLINDER PINS	I		C,I,L			1	A,C
HYDRAULIC OIL (Fill as needed)	I	I			R	5	A,C
HYDRAULIC FILTER	R			R			A
HOSES (Replace as needed)	I		I		I		A
ENGINE (OPTION)						2	A,C,H,I
WINCH, CABLE (OPTION)	I		I,L			6	A,C,H,I
WINCH, TENSIONER / GUIDE / DECK ROLLERS (OPTION)	I		I,L			1	A,C,H
WINCH, GEAR CASE (OPTION) (Fill as needed)	I		I			4	A,C,H,I



DANGER

Breathing exhaust gases can result in severe personal injury or death. DO NOT use air cleaner, exhaust elbow, or connecting parts as a supporting step. Damage to these and connecting parts can cause an exhaust leak.

Hydraulic Engine Maintenance Schedule (OPTION)

KEY	C-Clean, I-Inspect, L-Lubricate, R-Replace, T-Tighten/Adjust Torque					
	ITEM	Daily	Weekly or 25 Hours	Yearly or 100 Hours	150 Hours	200 Hours
ENGINE OIL LEVEL (Fill as needed, DO NOT OVERFILL)	I		*R			
FUEL LEVEL (Fill as needed)	I					
FUEL SYSTEM COMPONENTS (Replace items as needed)	I					
COOLING SYSTEM / AREA (Clear obstructions)	*I,C		*I,C			
AIR CLEANER HOUSING & COMPONENTS, SHROUDS, EQUIPMENT COVERS AND GUARDS	*I,C,T		*I,C			
SPARK ARRESTOR (If equipped)	I					
AIR FILTER & PRECLEANER OR INNER ELEMENT		*I,C	*R			
OIL COOLER FINS (If equipped)			*I,C			
HEAVY DUTY FILTER MINDER (If equipped)				I		
FUEL FILTER					*R	
OIL FILTER					*R	
SPARK PLUGS						*R
CRANKSHAFT SPLINE LUBED (Performed by an Authorized Dealer Only)						*L

NOTES:

*PERFORM THESE MAINTENANCE PROCEDURES MORE FREQUENTLY UNDER EXTREMELY DUSTY, DIRTY CONDITIONS. For Operation and Maintenance procedures resource the Manufactures References. Parts are available through an authorized Landoll Dealer.

Table provided for general use.

NOTES:

Air System Maintenance

Air System Maintenance Schedule

See **Parts Manual** for mechanical, air, electrical and hydraulic components and diagrams.

1. The air tanks must be completely drained daily.
 - Moisture in the system causes rust and corrosion to build inside the components and may lead to system failure.
2. Inspect the air system weekly.
 - If the air system lubricator option is installed, check and refill weekly.
3. Check the brake protection valve filters every 3 months or when the air flow becomes restricted, See **Figure 4-2**.
 - The filters may be cleaned or replaced.

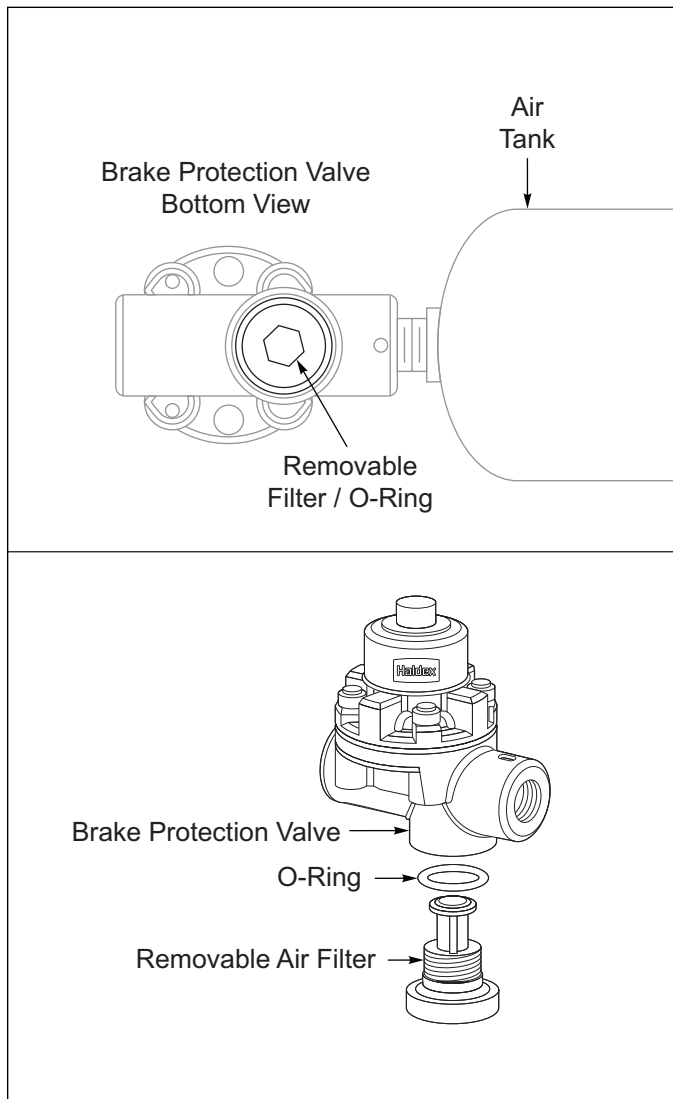


Figure 4-2: Brake Protection Valve

Hydraulic Maintenance



DANGER

Proceed with caution. Failure to heed warning may cause injury to person and/or damage to product and property.

- **DO NOT** operate if the fuel system or brake system is leaking. Report it immediately to your supervisor or maintenance.
- **ALWAYS** report any Class 3 leak to your supervisor or maintenance immediately.

Tractor must be equipped with a relief valve set at a maximum 2500 psi (17,237 kpa).

This trailer requires hydraulic power to operate, supplied by either the tractor or a trailer mounted hydraulic power pack.

Maintenance of the hydraulic system consists of inspection and minor servicing.

Fluid is lost and possible contamination in a leaking system and may cause poor function and premature failure within the components.

Fluid Leak Classification

- Any signs of a leaking fuel system or brake system, **DO NOT** operate and report it to your supervisor or maintenance immediately.
- Report any Class 3 leak to your supervisor or maintenance immediately and **DO NOT** operate.
- Class 1 or 2 leaks may be operated but closely monitored and the fluid level checked more frequently.
- Report any leak to your supervisor or maintenance.

Leaks may be visible by signs of wetness appearing around components seals, gaskets, fittings, and hose/line connections. Leaking hoses may also show signs of staining that also indicates leakage.

- If any fittings or connections are loose, tighten.
- If any items are broken or defective report it.

Fluid Leak Classifications

- **Class 1:** Signs of wetness or stains that do not form drops.
- **Class 2:** Signs of drops forming but not dripping.
- **Class 3:** Signs of drops dripping.

Hydraulic Maintenance Schedule

See **Parts Manual** for mechanical, air, electrical and hydraulic components and diagrams.

1. The hydraulic fluid level in the reservoir must be checked weekly, **See Trailer Maintenance Schedule on Page 4-7.**
 - **Unless a leak/leaks develop, classify it, report it and monitor it more frequently.**
 - a. Retract all hydraulic cylinders.
 - b. Hydraulic pump shut off.
 - c. Operate the hydraulic control levers to release any line pressure back to the reservoir.
 - d. Check fluid level in the reservoir. **DO NOT** overfill the reservoir, allow for fluid heat expansion.
 - e. Use only recommended hydraulic fluid, **See Lubrication Specifications on Page 4-6.**
2. Inspect the hydraulic system weekly.
 - a. Start the hydraulic pump
 - b. Operate each hydraulic control lever and observe for any leaks and the functionality of the system.
 - c. Place the trailer back into travel position.
 - d. Shut off the hydraulic pump.
 - e. Change hydraulic filter every 6 months or 12,000 miles, whichever ever comes first, **See Trailer Maintenance Schedule on Page 4-7.**
 - Under adverse conditions, change more frequently.
5. A light that repeatedly burns-out usually indicates a loose connection, poor system ground, or a malfunctioning voltage regulator. Locate the source of the problem and repair. System grounds must be grounded to bare metal surfaces. Paint, grease, wax, and other coatings act as insulators. Replacement lamps must be equivalent to the factory installed lamp.

Electrical System

1. Maintenance of the electrical system consists of inspection and minor servicing. Any wire, connection or electrical component showing signs of corrosion, wear, breakage or unraveling must be repaired or replaced (**See Figures 4-3 and 4-4 and Table 4-1**).
2. Frayed or unraveling wire must have the defective section removed and replaced with wire of the same color and gauge. Seal all connections and insulate.
3. Corroded terminals must have the corrosion removed, source of corrosion neutralized and the terminals resealed, protected, and insulated.
4. Fuse or circuit breaker burn-out or blow-out usually indicates an electrical short-circuit, although a fuse can occasionally fail from vibration. Insert a second fuse or reset the breaker. If this fuse immediately burns out or the breaker trips, locate the cause of the electrical short and repair.

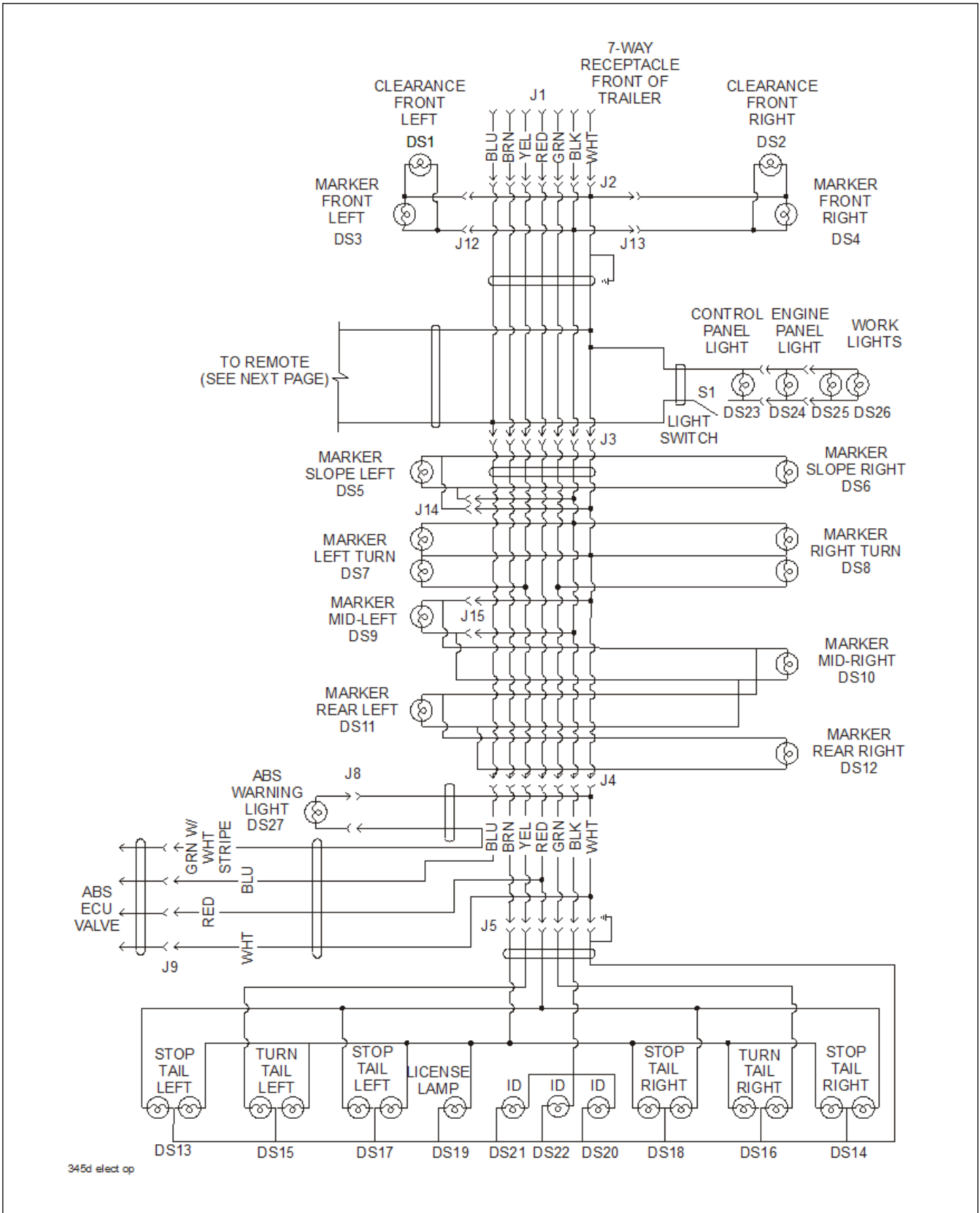
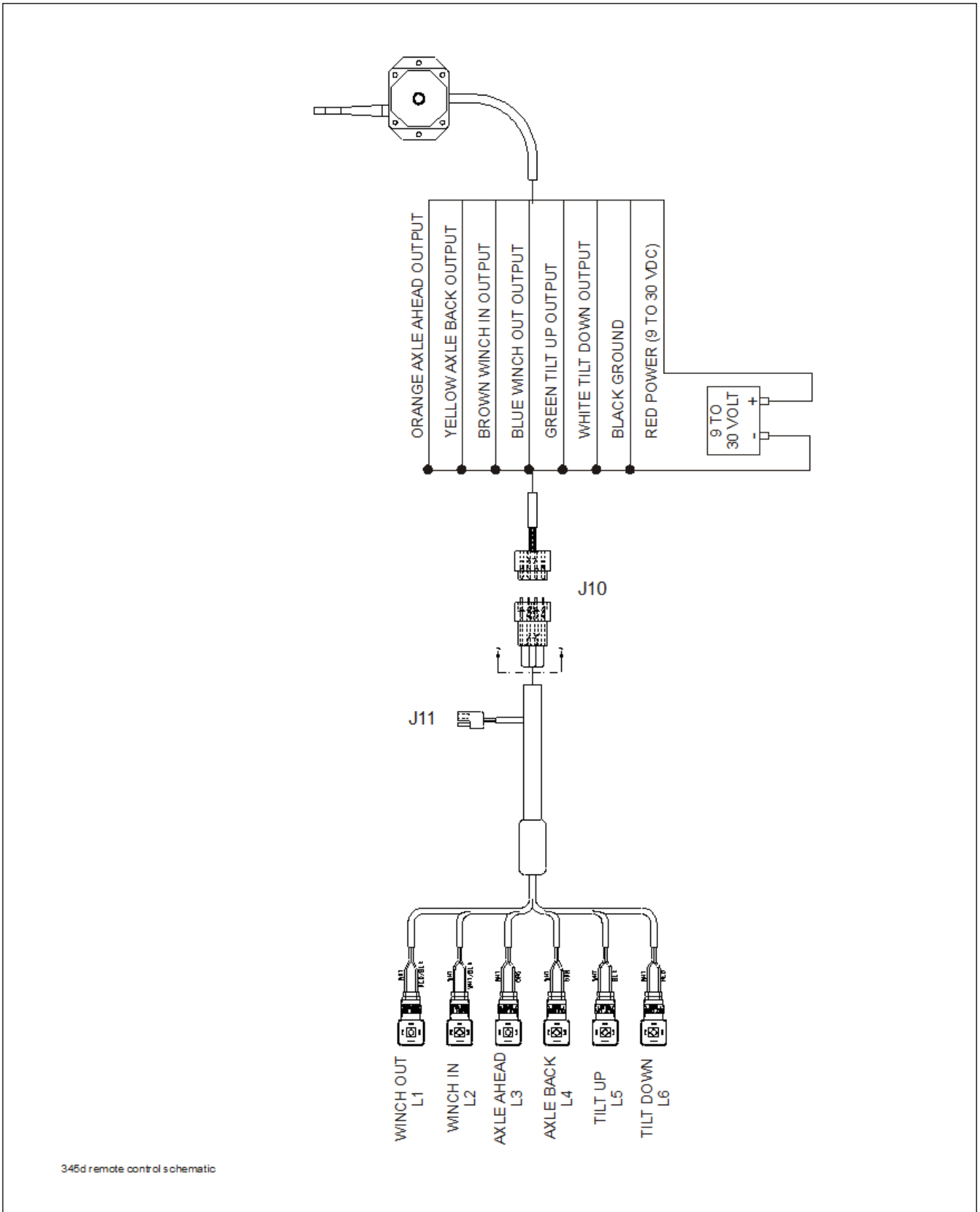


Figure 4-3: 345E Wiring Diagram



345d remote control schematic

Figure 4-4: 345E Remote Control Wiring Diagram

MAINTENANCE AND LUBRICATION

345E WIRING PARTS LIST			
REF. DES.	FUNCTION	REF. DES.	FUNCTION
DS1	FRONT LEFT CLEARANCE, YELLOW	J1	7 WAY RECEPTACLE
DS2	FRONT RIGHT CLEARANCE, YELLOW	J2	FRONT MAIN CONNECTOR
DS3	FRONT LEFT MARKER, YELLOW	J3	BED MAIN CONNECTOR
DS4	FRONT RIGHT MARKER, YELLOW	J4	E-CHAIN CONNECTOR
DS5	LEFT SLOPE MARKER, YELLOW	J5	BUMPER CONNECTOR
DS6	RIGHT SLOPE MARKER, YELLOW	J6	ENGINE PANEL LIGHT
DS7	LEFT SIDE MARKER/TURN, YELLOW	J7	WORK LIGHTS
DS8	RIGHT SIDE MARKER/TURN, YELLOW	J8	ABS LAMP CONNECTOR
DS9	MID-LEFT SIDE MARKER, YELLOW	J9	ABS ECU VALVE CONNECTOR
DS10	MID-RIGHTSIDE MARKER, YELLOW	J10	REMOTE RECEIVER CONNECTOR
DS11	LEFT REAR SIDE MARKER, RED	J11	REMOTE CONNECTOR
DS12	RIGHT REAR SIDE MARKER, RED	J12	FRONT CORNER MARKER, LEFT CONNECTOR
DS13	LEFT STOP/TAIL, RED	J13	FRONT CORNER MARKER, RIGHT CONNECTOR
DS14	RIGHT STOP/TAIL, RED	J14	FRONT BED MARKER CONNECTOR
DS15	LEFT TURN/TAIL, RED	J15	REAR BED MARKER CONNECTOR
DS16	RIGHT TURN/TAIL, RED		
DS17	LEFT STOP/TAIL, RED	L1	AXLE LOAD
DS18	RIGHT STOP/TAIL, RED	L2	AXLE TRANSPORT
DS19	LICENSE PLATE LIGHT, RED	L3	WINCH IN
DS20	IDENTIFICATION RIGHT, RED	L4	WINCH OUT
DS21	IDENTIFICATION LEFT, RED	L5	TILT UP
DS22	IDENTIFICATION CENTER, RED	L6	TILT DOWN
DS23	CONTROL PANEL		
DS24	ENGINE PANEL		
DS25	WORK LIGHT		
DS26	WORK LIGHT		
DS27	ABS MALFUNCTION INDICATOR, YELLOW		

Table 4-1: 345E Wiring Parts List

Suspension Maintenance

Spring Suspension

1. Make certain that all springs are properly located on the wear pads. Twisted springs or cocked hangers will cause uneven spring contact with wear pad and will result in excessive wear on the spring suspension. Check the shocks for excessive wear.
2. Replacing the equalizer bushings and the torque arm bushings on the spring suspension is a complex operation and should be left to trained service personnel. If the bushings need to be replaced contact a Landoll authorized service center or the Landoll factory for servicing.

Air Ride Suspension

1. Physically check all nuts, bolts, and air line fittings for proper torque **See Specific Bolt Torques on Page 2-2..**
2. Check all other suspension components for any sign of damage, looseness, wear or cracks.
3. With trailer on level surface and air pressure in excess of 65 psi, all air springs should be of equal firmness. The height control valve on right side of front axle controls all air springs on tandem axle suspensions.

Air Ride Height Adjustment



WARNING

1. **Not following proper installation and adjustment procedures can result in broken shock absorbers, burst air bags and/or over height problems. This potentially hazardous situation could result in death or serious injury.**
2. **DO NOT adjust by loosening the 1/4 inch Adjusting Lock Nut and Bolt. This procedure may cause damage to the valve and require replacement. Contact Landoll Service Department for detailed instructions on Suspension Ride Height Adjustment.**

IMPORTANT

This manual does not cover the suspension ride height installation or adjustment procedures, due to the setup steps variation of the different trailer frames. For proper ride height installation and adjustment, simply record the equipment VIN/NIV number from the identification plate and contact the Landoll Trailer Service Department. Please visit <https://landoll.com/contact-us/service-contacts/land-oll-trailer-service/> or call 1-800-446-5175 for

NOTE

See Parts Manual for mechanical, air, electrical and hydraulic components and diagrams.

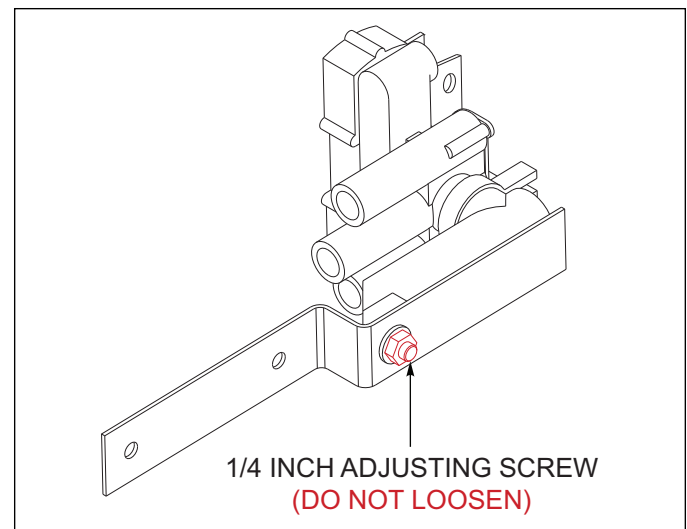


Figure 4-5: Height Control Valve

Alignment

Wheel Alignment

DANGER

To prevent a life threatening accident:

1. **Support trailer and undercarriage so tires are off the ground.**
2. **Support the trailer and undercarriage on jack stands with sufficient capacity to support the total weight of the trailer and any load which it may be carrying.**

When trailer tires show signs of scuffing, feather-edging or uneven wear, examine the trailer for damaged suspension (frame, shocks, linkage, etc.), axle, wheel bearings and wheels. Proper wheel alignment and wheel bearing adjustment is essential for proper tire wear. The simplest form of checking wheel alignment “toe” is by running the trailer over a “SCUFF GAUGE”. A scuff gauge reading of 16 feet or less per mile is considered satisfactory. If a scuff gauge is not readily available, or edge wear on one side of a tire is occurring signifying positive or negative camber, alignment can be checked as follows:

1. Remove wheel, hub and bearing assemblies.
2. Place a 3-point axle gauge against the front side of the axle, and adjust each axle gauge point to the axle. (Double point end against the inner and outer wheel bearing surfaces of the spindle being checked and the other point on the inner bearing surface on the other spindle.) **(See Figure 4-7.)**
3. Move the axle gauge and place against the back side of the axle. If either of the points of double point end fails to touch the axle surface, a bent spindle is evident. A point gap of .015" or more is considered excessive tire “toe” and the axle must be replaced **(See Figure 4-7.)**
4. Follow the same procedures as in **steps 2 and 3**, except place the axle gauge above and below the axle. If gauge point gap is found, the axle has positive or negative camber. The trailer axle has no camber from the factory. If it is found to have positive or negative camber, axle replacement is necessary **(See Figure 4-6 for examples of camber).**

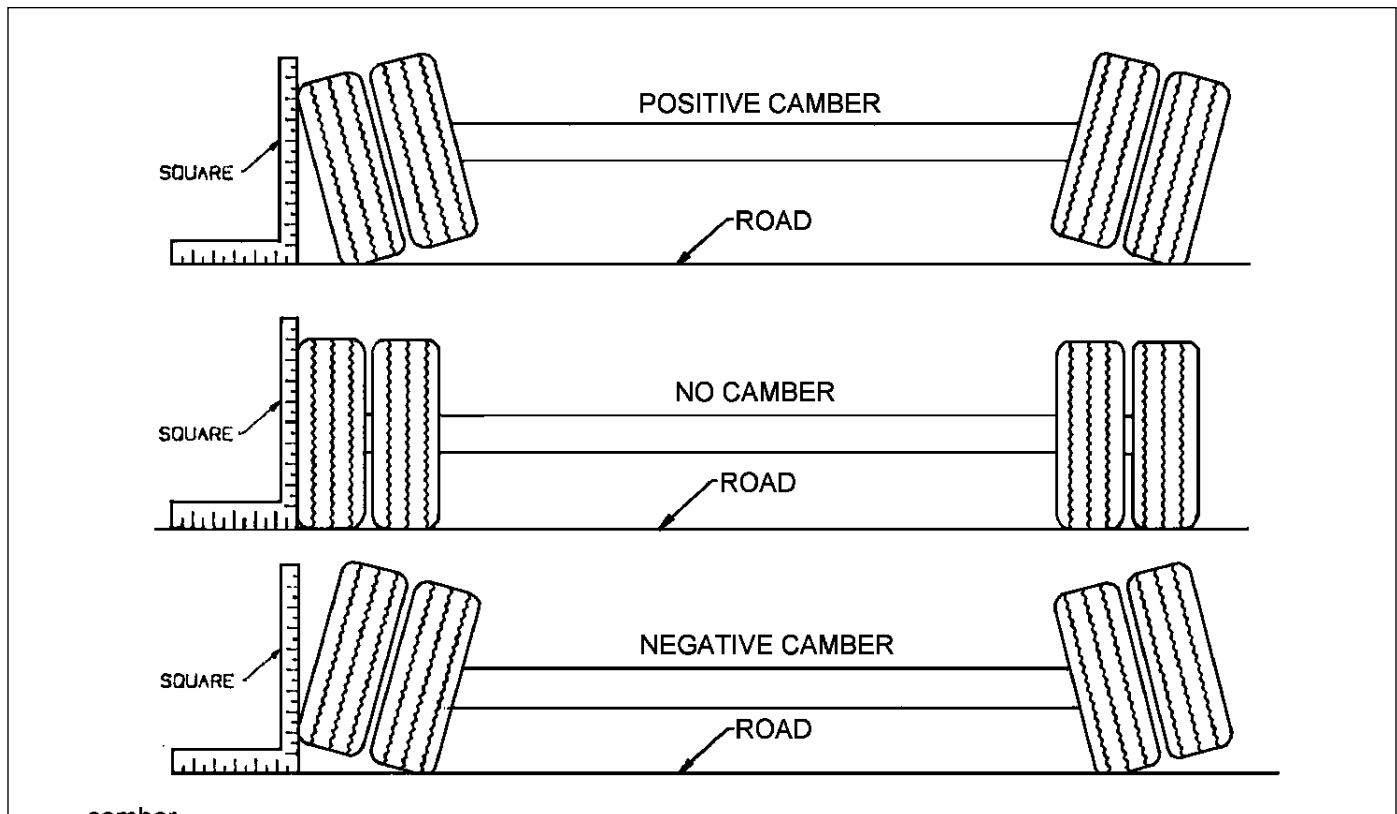


Figure 4-6: Examples of Camber

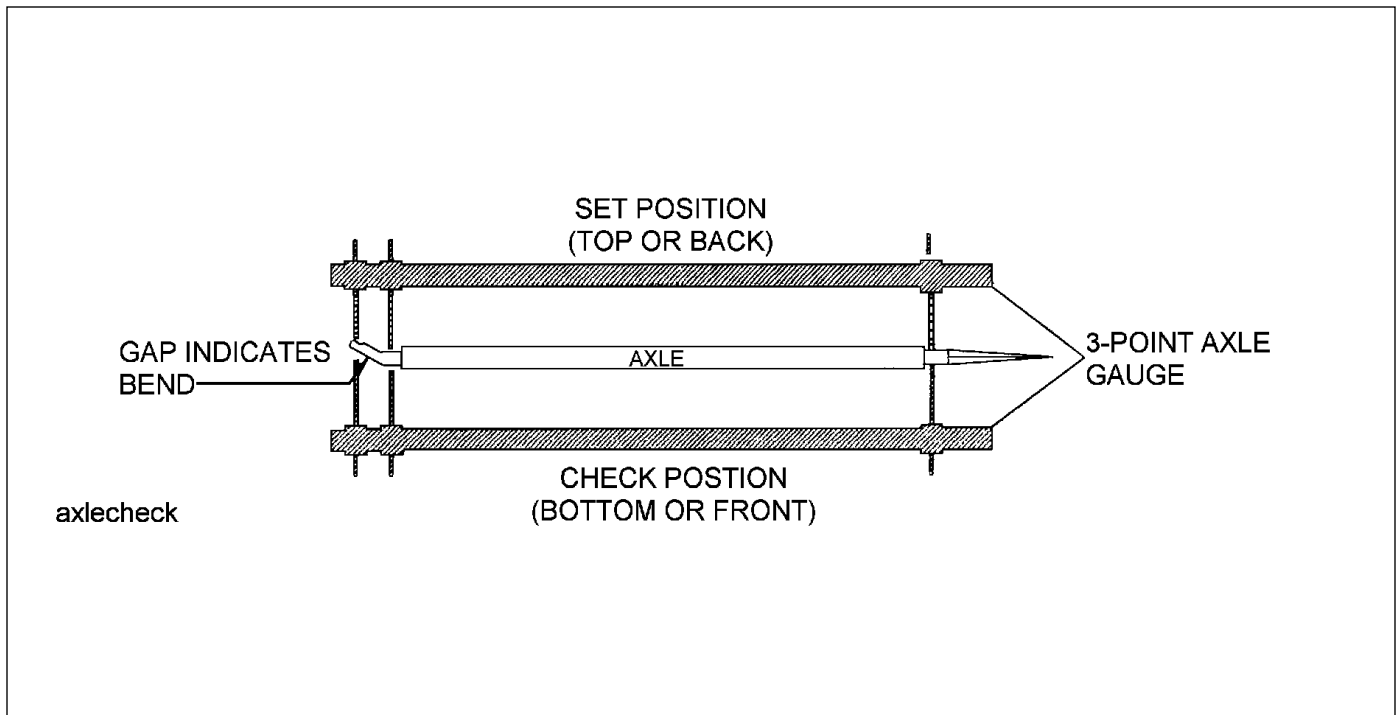


Figure 4-7: Checking Axle for Bend

Axle Alignment, Air Ride

IMPORTANT

Proper axle-to-kingpin alignment is necessary to obtain straight tracking. If axle alignment is off, “dog-tracking” occurs. “Dog tracking” means the rear of the vehicle will angle, appearing to travel sideways, with its rear end off to one side.

Check alignment manually or by using a trailer alignment machine. In either case, a thorough inspection of the complete suspension must be performed and all defects corrected before aligning.

Alignment, Air Ride Trailer 1st Axle Procedure

IMPORTANT

It is highly recommended to contact an authorized Landoll Service Center for servicing and repair.

The air ride suspension is aligned at the factory and should not need re-alignment, until suspension maintenance requires it.

1. Position trailer on a firm and level surface. Eliminate any suspension binding or restrictions due to sharp turns or unusual maneuvers. Make sure that the undercarriage is in the rear most position.
2. Uncouple the tractor from the trailer. If needed, jack up the front of the trailer to allow measurement under the trailer.

3. Inspect the suspension for serviceability. Replace parts as required before aligning.
4. Suspend a plumb bob from the center of the kingpin and set at axle center height.
5. Measure **Curbside (D)** from the plumb bob to the 1st axle center. Measure **Streetside (D1)** from the plumb bob to the 1st axle center. **Curbside (D)** should be about 1/8 in (3.18 mm) shorter than **Streetside (D1)**, See Figure 4-9.
6. **Align if measurement requires:**
 - a. 1-1/8 in Pivot Bolts - Loosen pivot bolt lock nuts and rotate eccentric pivot bolts clockwise or counter-clockwise to adjust. Repeat Steps 5-6 until measurement is achieved, See Figure 4-8.
 - b. 7/8 in Pivot Bolts - Break welds if present between hanger mounts/eccentric collars and pivot lock nuts/jam nuts. Loosen jam nuts if installed. Loosen lock nuts. Rotate eccentric pivot bolts clockwise or counter-clockwise to adjust. Repeat Steps 5 through 6 until measurement is achieved, See Figure 4-8.
7. Tighten and torque suspension pivot bolts and lock nuts, See Specific Bolt Torques on Page 2-2.
8. 7/8 in Pivot Bolts ONLY - Install new jam nuts if damaged or not present. Tighten and torque jam nuts to 150 ft-lbs (205Nm), See Specific Bolt Torques on Page 2-2.

IMPORTANT

DO NOT tack weld Dexter suspension pivoting hardware.

9. SAF-Holland Only: Tack weld the inner nuts to the eccentric alignment blocks.

Alignment, Air Ride Trailer 2nd & 3rd Axle Procedure

IMPORTANT

It is highly recommended to contact an authorized Landoll Service Center for servicing and repair.

The air ride suspension is aligned at the factory and should not need re-alignment, until suspension maintenance requires.

1. Align the 1st axle using the method outlined in **Alignment, Air Ride Trailer 1st Axle Procedure.**
2. Measure from 1st axle center to the trailer 2nd axle center on the curbside then the streetside. Measurements should be the same. Use **(Y)** and **(Y1)** as reference, **See Figure 4-9.**
- 3.
4. **Align if measurement require:**
 - a. 1-1/8 in Pivot Bolts - Loosen pivot bolt lock nuts and rotate eccentric pivot bolts clockwise or counterclockwise to adjust. Repeat Steps 5 through 6 until measurement is achieved, **See Figure 4-8.**
 - b. 7/8 in Pivot Bolts - Break welds if present between hanger mounts/eccentric collars and pivot lock nuts/jam nuts. Loosen jam nuts if installed. Loosen lock nuts. Rotate eccentric pivot bolts clockwise or counterclockwise to adjust. Repeat Steps 5 through 6 until measurement is achieved, **See Figure 4-8.**
5. Tighten and torque suspension pivot bolts and lock nuts, **See Specific Bolt Torques on Page 2-2.**
6. 7/8 in Pivot Bolts ONLY - Install new jam nuts if damaged or not present. Tighten and torque jam nuts to 150 ft-lbs (205Nm), **See Specific Bolt Torques on Page 2-2.**

IMPORTANT

DO NOT tack weld Dexter suspension pivoting hardware.

7. SAF-Holland Only: Tack weld the inner nuts to the eccentric alignment blocks.
8. If additional trailer axles are available, use the same procedures performed on the previous axle aligned and repeat steps 2 through 6.

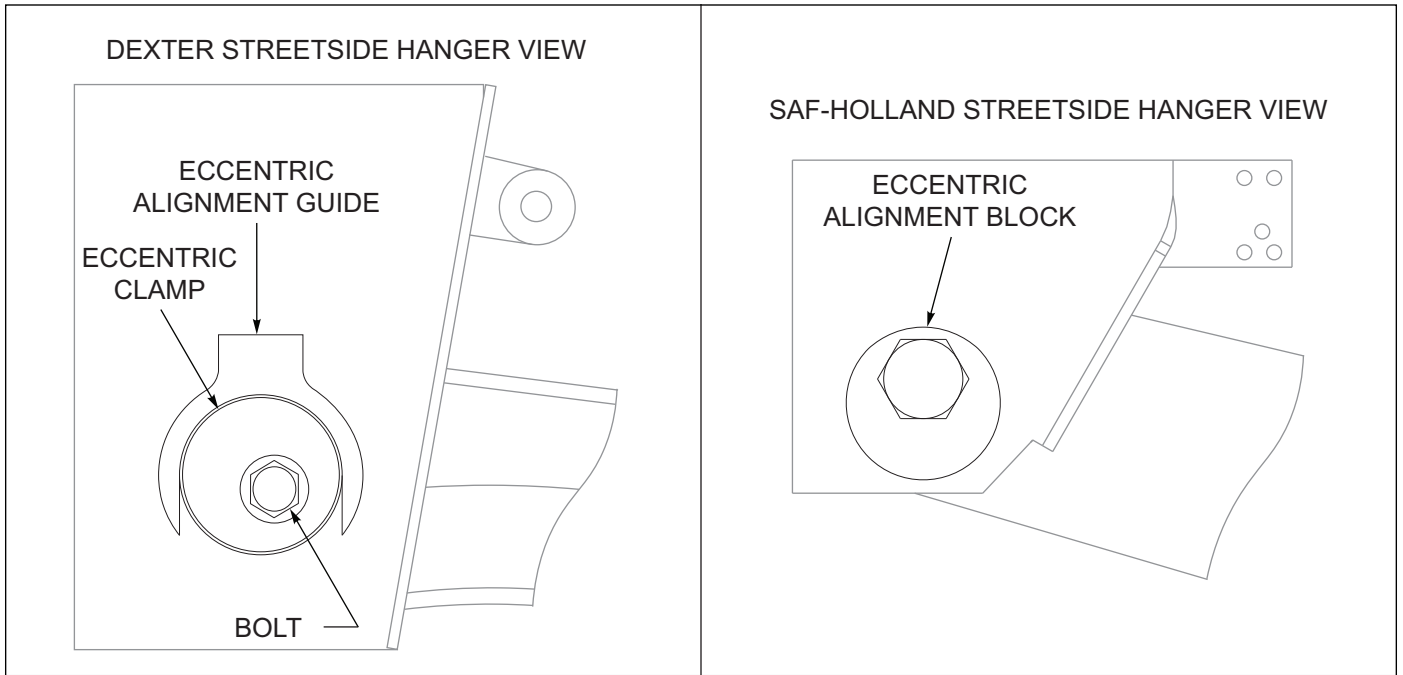


Figure 4-8: Streetside Suspension Hanger

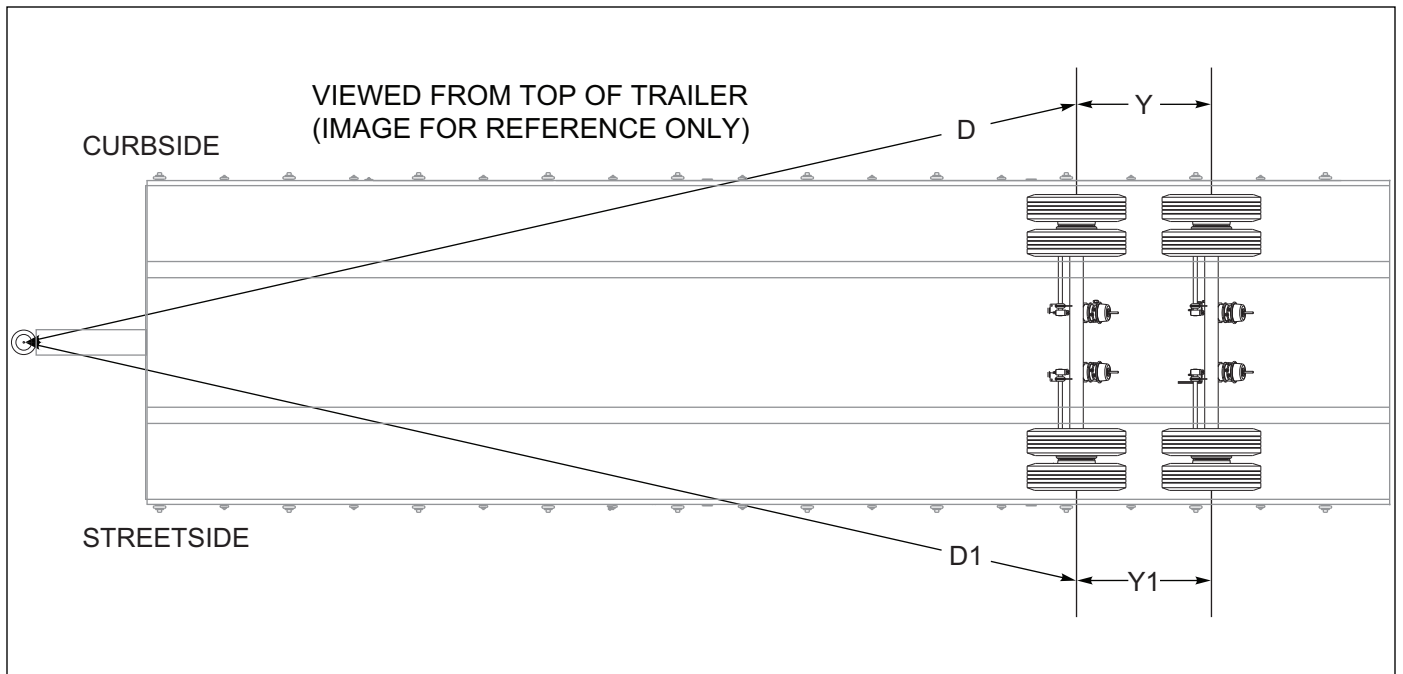


Figure 4-9: Checking Axle Alignment

Axle Alignment, Spring Ride

IMPORTANT

Proper axle to kingpin alignment is necessary to obtain straight tracking. If axle alignment is off, "dog-tracking" occurs. Check alignment manually or by using a semitrailer alignment machine. In either case, a thorough inspection of the complete suspension must be performed and all defects corrected before aligning.

Alignment, Spring Ride Trailer 1st Axle Procedure

The air ride suspension is aligned at the factory and should not need re-alignment, until suspension maintenance requires.

1. Position semitrailer on a firm and level surface. Eliminate any suspension binding or restrictions due to sharp turns or unusual maneuvers. **ENSURE** that the undercarriage is in the rear most position.
2. Uncouple the tractor from the trailer. If needed jack up the front of the trailer to allow measurement under the trailer.
3. Inspect the suspension for serviceability. Replace any defective part before aligning.
4. Suspend a plumb bob from the center of the kingpin and set at axle center height.
5. Measure **Curbside (D)** from the plumb bob to the 1st axle center. Measure **Streetside (D1)** from the plumb bob to the 1st axle center. **Curbside (D)** should be about 1/8 inch (3.175 mm) shorter than **Streetside (D1)**. *See Figure 4-9.*
6. Align if measurement requires: Loosen the adjustable torque arm clamp bolts. Slightly loosen the axle u-bolt sets evenly on each side of the axle, *See Figure 4-10.*

7. Turn the adjustable torque arm clockwise or counter-clockwise to adjust. Repeat Steps 5-7 until measurement is achieved. *See Figure 4-10.*
8. Tighten and torque the adjustable torque arm nuts. *See Specific Bolt Torques on Page 2-2.*
9. Re-adjust the u-bolts to be square on the axle. Evenly tighten and torque u-bolt nuts. *See Specific Bolt Torques on Page 2-2.*

Alignment, Spring Ride Trailer 2nd & 3rd Axle Procedure

The spring ride suspension is aligned at the factory and should not need re-alignment, until suspension maintenance requires.

1. Align the 1st axle using the method outlined in **Alignment, Spring Ride Trailer 1st Axle Procedure.**
2. Measure from 1st axle center to the trailer 2nd axle center on the curbside then the streetside. Measurements should be the same. Use **(Y)** and **(Y1)** as reference. *See Figure 4-9.*
3. Align if measurement requires: Loosen the adjustable torque arm clamp bolts. Slightly loosen the axle u-bolt sets evenly on each side of the axle, *See Figure 4-10.*
4. Turn the adjustable torque arm clockwise or counter-clockwise to adjust. Repeat Steps 5-7 until measurement is achieved. *See Figure 4-10.*
5. Tighten and torque the adjustable torque arm nuts. *See Specific Bolt Torques on Page 2-2.*
6. Re-adjust the u-bolts to be square on the axle. Evenly tighten and torque u-bolt nuts. *See Specific Bolt Torques on Page 2-2.*
7. If additional trailer axles are available, use the same procedures but from previous axle aligned and repeat steps 2 - 6.

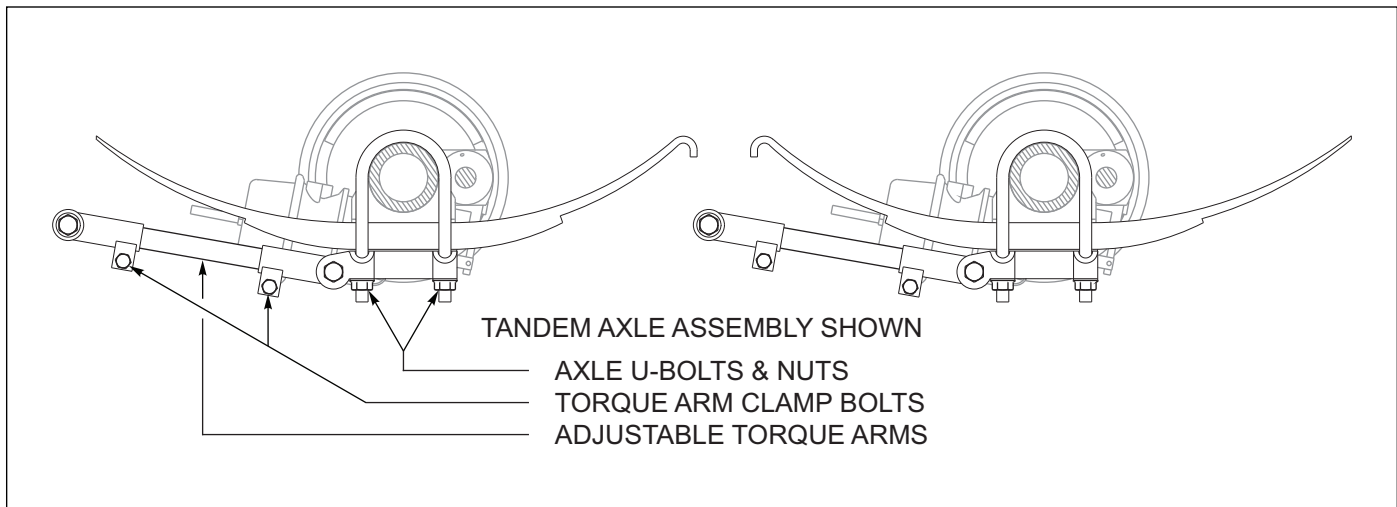


Figure 4-10: Spring Ride Adjustable Torque Arm

Brake System Maintenance



WARNING

Use great care if wheels or brake drums must be handled. They may be very hot and can cause serious injury.

General

1. Check air hoses for chafing, bends, kinks, or damaged fittings. Replace defective hoses.
2. Check the brake system for loose, missing, deformed, or corroded fasteners. Replace and tighten defective hardware.
3. Check brake linings for excessive wear or distortion (**See Figure 4-12.**)
4. Drain air reservoir daily. A drain cock on the bottom of each air reservoir vents the tank to drain collected water and oil. If held open, air pressure in the tanks is relieved, causing the emergency or parking brakes to be applied (**See Figure 4-11.**)

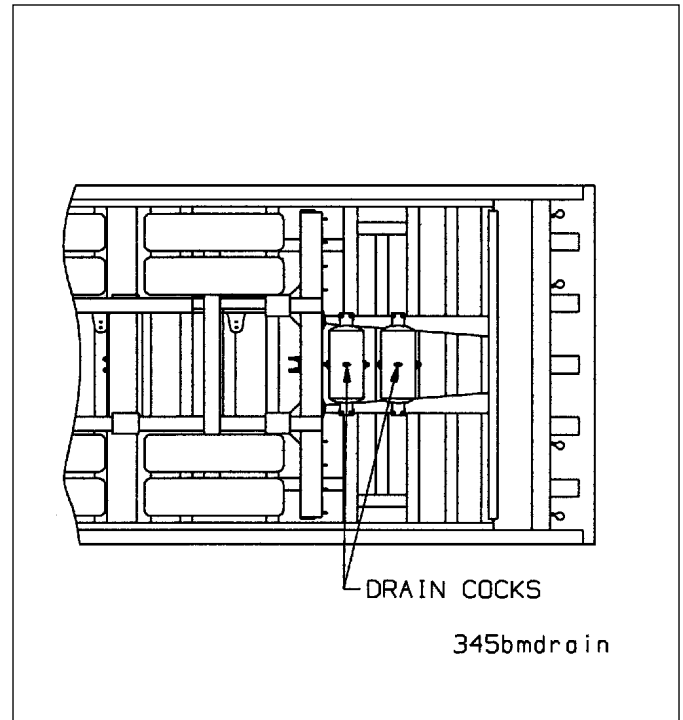


Figure 4-11: Drain Cock Locations

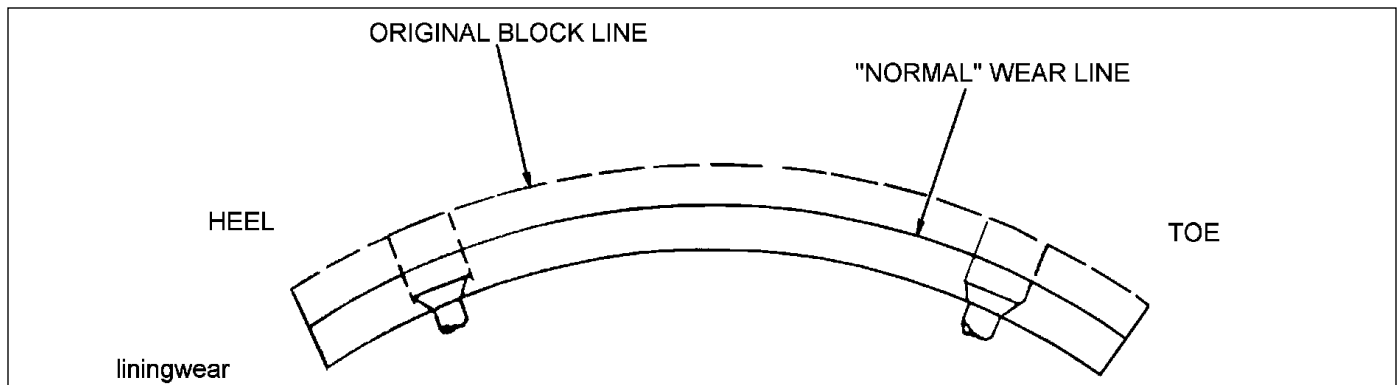


Figure 4-12: Brake Lining Wear

Spring Air Brake

Check for faulty units. Check the condensation holes on the underside of the brake chambers to make sure they are open. The spring brake has two brake chambers, a service chamber and an emergency chamber or spring chamber. Service brake chambers should be disassembled and cleaned at 50,000 miles or yearly. The diaphragm and any marginal parts should be replaced. When replacing the service diaphragm, replace the corresponding parts for the other chamber on the same axle (to aid in even brake application and release). Examine yoke pin for wear and replace as necessary. The spring chamber should not be serviced. Replace entire unit (both service and spring chamber) if spring chamber becomes faulty.



WARNING

The spring brake chamber employs a spring with high forces. Service should not be attempted. Serious injury or death may result.

Replacing the Spring Air Brake Unit

Caging the Power Spring in the Spring Chamber

1. Chock the trailer wheels.
2. Remove dust cap from the rear of the spring brake chamber (**See Figure 4-13.**)

3. Remove the release bolt from its holding brackets. Insert it into the spring brake chamber until it can be rotated and hooked into place. **DO NOT USE AN IMPACT WRENCH TO CAGE THE SPRING BRAKE!**
4. Turn the nut on the release bolt until the spring brake is caged. This should be 2-1/4 to 2-1/2 inches of release bolt extension.
5. The brakes should now be released. Do not operate loaded trailer with brake manually released.

Uncaging the Power Spring in the Spring Chamber

1. Chock the trailer wheels.
2. Turn the nut on the release bolt until the spring is released. Remove the release bolt and store it in its brackets.
3. Snap the dust cap back in place on the chamber.

Removal of Brake Unit

1. Chock all tractor and trailer wheels and drain the air system.
2. Mark the brake chamber for proper air line port alignment for reassembly.
3. CAGE THE POWER SPRING following the steps outlined in “**Caging the Power Spring in the Spring Chamber**” on page 4-21.
4. Disconnect the slack adjuster from the connecting rod by removing the clevis pin (See Figure 4-14.)
5. Mark all air service lines for proper re-installation and disconnect from the brake chamber.
6. Remove the brake chamber from the axle brackets.

Installation of Brake Unit

1. CAGE THE POWER SPRING following the steps outlined in “**Caging the Power Spring in the Spring Chamber**” on page 4-21.
2. Position the inlet ports by loosening the service chamber clamp bands and rotating the center housing so the ports align with marks made during disassembly. Then re-tighten the clamp bands.
3. Remount the brake unit on the axle brackets and reconnect the air service hoses and the slack adjuster connecting rod (See Figure 4-14.)

IMPORTANT

Be sure the service line is on the service chamber port and the emergency line is on the spring brake port.

4. Check for leakage by charging the air system to a minimum of 90 psi and applying soap suds to the brake chamber and connections. If a growing bubble is detected or bubbles are blown away, locate the source of the leak and repair.
5. Insure that the clamp band is properly seated and tight **before** uncaging the power spring.
6. Uncage the power spring according to “**Uncaging the Power Spring in the Spring Chamber**” on page 4-22.

Tandem Relay Valve Maintenance

Every 3600 operating hours, 100,000 miles, or yearly, the Relay Emergency Valve should be disassembled, cleaned, and lubricated by a trained technician.



WARNING

Repair or replacement of the relay/emergency valve is a complex operation and should be performed by trained service personnel. Contact a Landoll authorized service center for servicing.

Brake Assembly Maintenance

The brake assemblies should be inspected and adjusted every 2,000 miles or monthly. Examine the brake linings visually to locate the lining showing the greatest amount of wear. The wheel and drum should be removed and the linings replaced if the thinnest portion of the lining is 3/8 in. (9.5 mm) or less. Do not allow the linings to wear thin enough that the lining rivet contacts the drum. (See Figure 4-12.)



WARNING

Do not allow grease to contact brake linings as this could result in reduced braking performance.

Brake Adjustment

This trailer is equipped with automatic slack adjusters which compensate for brake lining wear and keep brakes adjusted. Brakes should not be adjusted manually except when relining brakes.

Disassembly for Brakes (See Figure 4-13)

1. Release brakes and back off slack adjuster.
2. Remove slack adjuster lock ring and slack adjuster.
3. Remove drum assembly **(See Figure 4-13.)**
4. Remove anchor pin retainers, washers, and bushings.
5. Remove anchor pins and brake shoes.
6. Remove brake return springs.
7. Remove camshaft lock ring, spacer washer and camshaft.
8. Remove roller pin retainers.
9. Remove roller pins and rollers from shoes.
10. Remove camshaft bushings and seals from spider.
11. After removing the shoes, completely inspect all brake components, servicing as necessary.

Reassembly for Brakes

1. Install new camshaft bushing and seals into the spider.

IMPORTANT

When installing camshaft seals, the seal on the slack adjuster side is installed facing into spider. This allows grease to purge outside the brake assembly when greasing the camshaft bushing.

2. Install cam roller assemblies onto the brake shoes.
3. Install “D” shaped camshaft washer onto the camshaft.
4. Install the camshaft into the spider. Install spacer washer and lock ring retainer on camshaft before sliding the camshaft through the camshaft support bracket. Install the slack adjuster, washer and lock ring retainer.
5. Install shoes, anchor pin bushings, anchor pins, and spacers onto spider. Install anchor lock rings.

IMPORTANT

Always use all new springs when servicing brakes.

6. Install brake return spring.
7. Connect slack adjuster to brake chamber pushrod.
8. Adjust automatic slack adjuster as outlined in **“Adjusting Slack Adjuster” on page 4-26.**

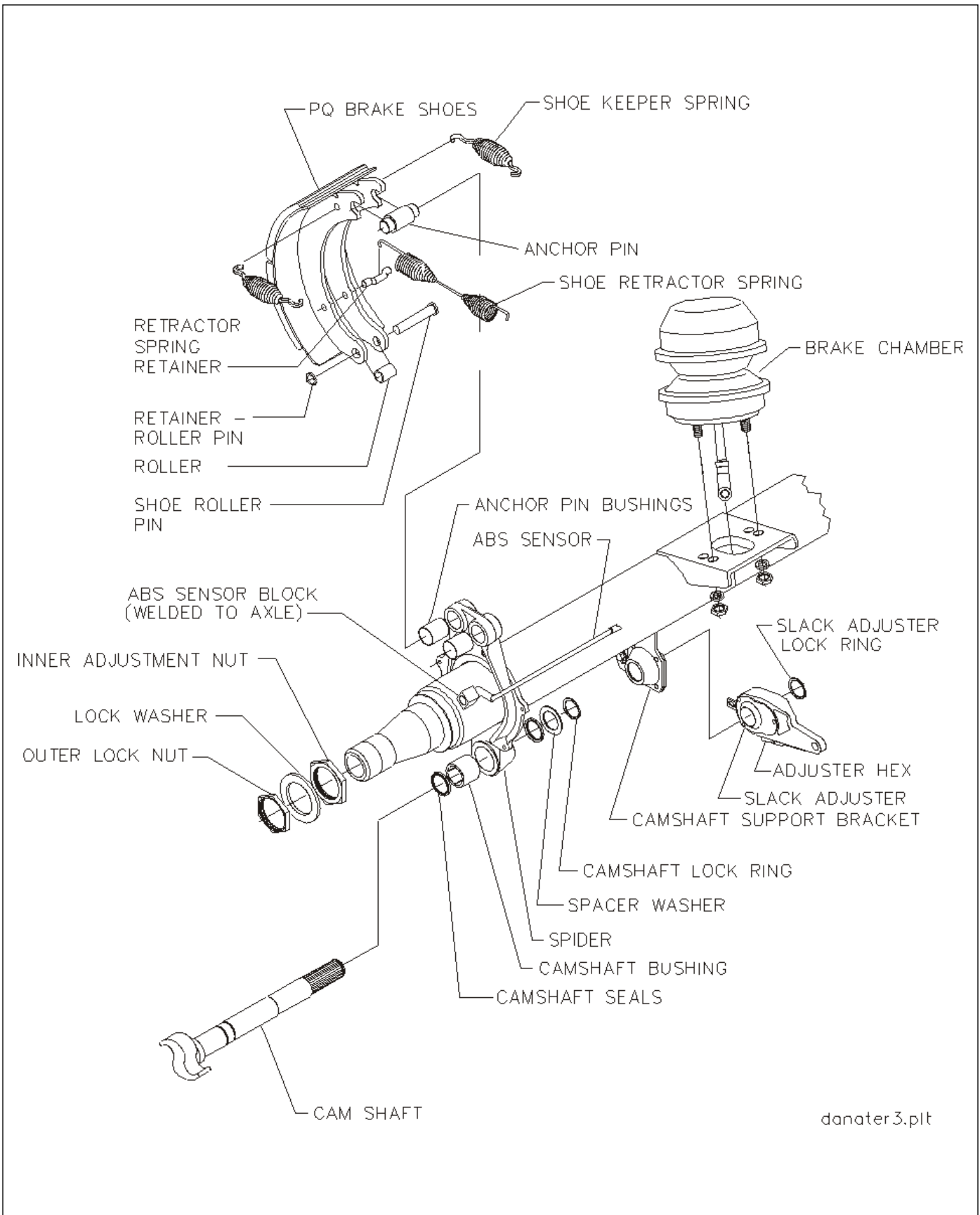


Figure 4-13: Axle and Brake Assembly

Automatic Slack Adjusters

The trailers automatic slack adjusters provide the means for routine brake adjustment to compensate for lining wear. Inspect slack adjusters every 2,000 miles to assure correct operation.

Operational Check (See Figure 4-14)

1. Block wheels to prevent vehicle from rolling.
2. Check that the push rod is fully retracted, apply air to release spring brake.
3. Turn adjustment hex counterclockwise to create an excessive clearance condition. (A ratcheting sound will occur.)
4. Make a full service brake application. On release, allow sufficient time for brake to fully retract. During the brake release, observe rotation of the adjustment hex (attach a wrench on the hex to make this movement easier to see). This rotation indicates that an excessive clearance condition has been determined by the slack adjuster, and it is making an adjustment to compensate. On each subsequent brake release the amount of adjustment and push rod travel will be reduced until the desired clearance is achieved.

5. The push rod stroke should be 1-1/2" to 2" with an 100 to 105 PSI service brake application.
6. Measure the movement of the push rod from the completely released position to the applied position by marking the push rod where it exits the air chamber before and after application.
7. If the brakes have been running tight, the control arm location should be checked.



WARNING

If the adjuster appears not to be operating, check the other brake components for proper function and eliminate any binding. Recheck the automatic slack adjuster. If the adjuster is not functioning, the unit must be replaced because failure of proper adjustment function will result in loss of brakes.

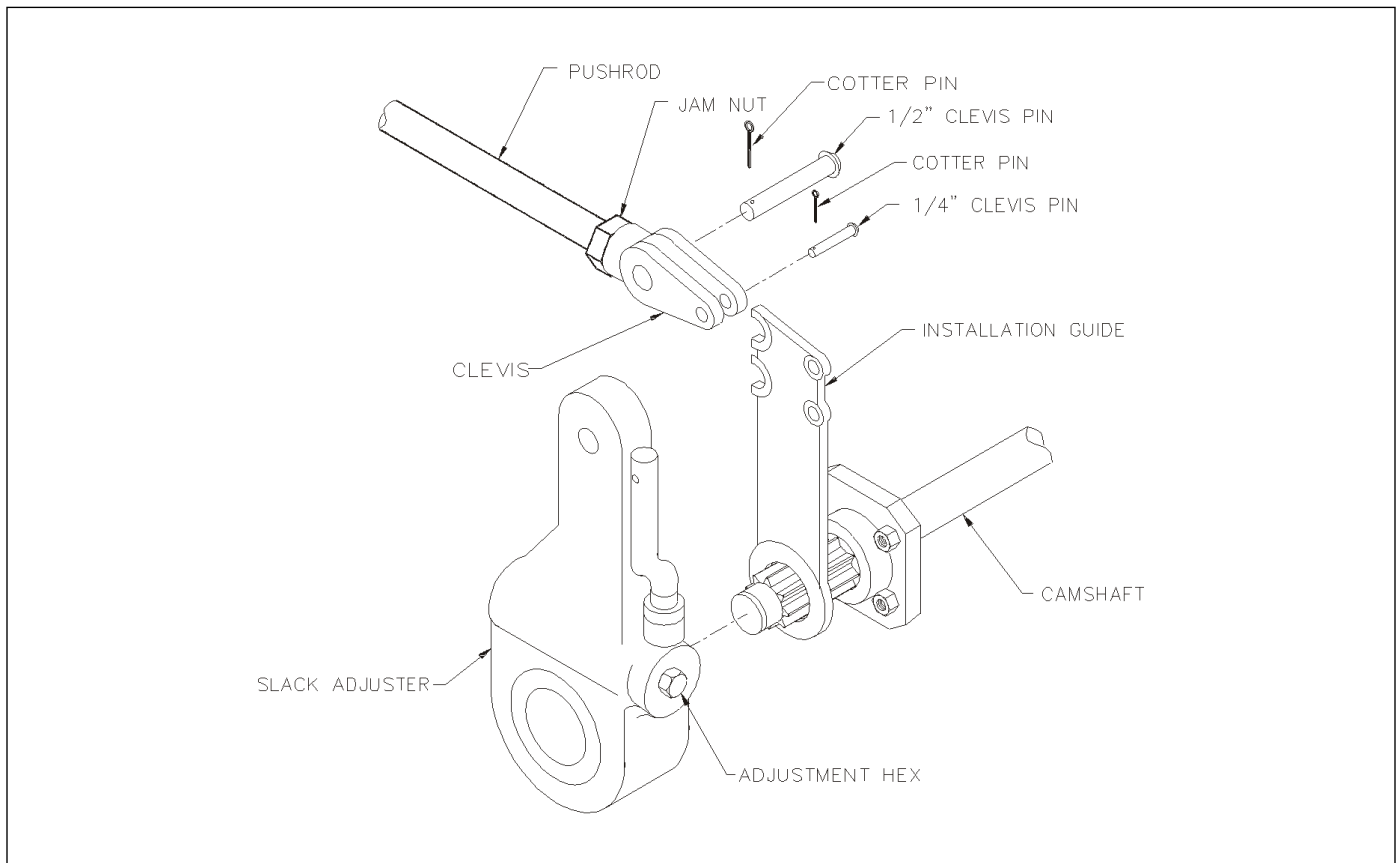


Figure 4-14: Slack Adjuster

Replacing Slack Adjuster



CAUTION

The installation guide must be used when installing or reinstalling automatic slack adjuster. Failure to do so may result in improperly adjusted brakes which may cause brake damage or lead to brake failure.

1. Chock wheels to prevent vehicle from rolling. Release spring and service brake. Air chamber push rod must be fully released (**See Figure 4-14**).
2. To maintain a fully released parking brake, a minimum of 105 psi reservoir pressure must be maintained. If air pressure is not available the spring brake must be manually caged.
3. Remove the existing slack adjuster and clevis - **DO NOT REMOVE EXISTING JAM NUT.**
4. Install the new clevis (with 1/2" pin) onto the push rod up to the jam nut - **DO NOT TIGHTEN JAM NUT.**
5. Fit the installation guide over the cam splines so the 1/2" pin slots face the air chamber.
6. Swing the guide into the clevis until the appropriate slot totally engages 1/2" pin.
7. Observe the guide pointer arrow:
If the guide pointer is above the clevis pointer, adjust clevis CCW for alignment.
If the guide pointer is below the clevis pointer, adjust clevis CW for alignment.
8. Reposition clevis until the guide pointer aligns with the clevis pointer.
9. Verify by engaging 1/4" pin through the clevis and guide.
10. Tighten jam nut to 50 ft-lbs torque min.
11. Remove the guide from cam shaft.
12. If the push rod threads extend through the clevis more than 1/16", remove clevis and cut rod to length.
13. If the push rod is not fully engaged in clevis body, install a new push rod - cut to length.
14. Install the slack adjuster on the cam shaft.
15. Rotate the manual adjuster shaft CW until the slack adjuster arm holes align with the clevis. Install 1/2" and 1/4" pins and cotter pins.

Adjusting Slack Adjuster

1. Rotate the manual adjuster CW until brake shoes contact drum.
2. Back off manual adjuster 1/2 turn. (CCW)
3. Manually uncage the spring brake.
4. Build up vehicle air pressure.

5. Fully apply and release the brakes several times to check for adequate clearance to all adjacent components.
6. Measure the distance from air chamber to 1/2" pin. Apply brakes with 100-105 psi air pressure and remeasure distance to 1/2" pins.
7. The stroke (difference of these two measurements) must be less than 2 inches.

Hub and Drum Maintenance



WARNING

Failure to replace faulty brake drums will result in an unreliable braking system, and may lead to an accident.

1. Clean and inspect the brake drums whenever relining the brakes. To be suitable for further service, the brake drum should pass the following checks.
 - a. The brake surface should be free of scoring, excessive heat checks and cracks.
 - b. The brake surface diameter should be within the maximum diameter cast or stamped on the drum.
 - c. The mounting holes and pilot must be round and true.
 - d. The mounting surface must be clean and flat.
2. It may be necessary to turn or resurface the braking surface to remove small heat checks or other surface defects resulting from normal use.
 - a. The maximum diameter cast into the back plate portion of the brake drum is the maximum diameter or discard diameter to which the brake drum may be turned or worn and still be usable. If any portion of the brake surface exceeds the maximum diameter it must be discarded. The maximum is .120 over the nominal new diameter unless stated otherwise on the casting. The maximum diameter cast into the brake drum supersedes all published information.
 - b. When resurfacing a drum, allow at least 0.040 inches under the maximum diameter for additional wear.



WARNING

Turning a brake drum beyond 0.040 inches under the maximum diameter will result in a weaker brake drum and may result in an accident.

3. Replacement of the brake drum is required if any of the following conditions exist:
 - a. The brake drum is cracked.
 - b. The brake surface is heat checked, grooved or worn beyond the rebore limit or the maximum diameter.
 - c. The back plate is cracked.
 - d. The bolt holes are elongated.
 - e. The brake drum has been severely overheated.
 - f. The brake drum is out-of-round.



CAUTION

Replace brake drums in pairs to achieve the same braking power on both wheels and maintain an even braking load on the axle. Failure to do this may significantly reduce the performance, service life, and/or safety of your vehicle.

4. Replace the hub and drum as follows (**See Figure 4-15**):
 - a. Remove the brake drum (**See Figure 4-15.**) It may be necessary to release the slack adjuster.
 - b. Remove hub cap and catch lubricant in a pan.
 - c. Remove outer spindle nut, spindle locking washer, inner spindle nut, and bearing. Remove hub from axle.
 - d. Using an appropriate driver, remove inner bearing cone, and seal.
 - e. Using an appropriate driver, remove bearing cups from hub.
 - f. Check that the hub cavity is clean. If the hub is to be reused, clean it thoroughly.
 - g. Insert bearing cups into the hub.
 - h. Clean the mounting surfaces with a good grade commercial cleaner and soft rag. Dry all component parts with a clean, absorbent cloth or paper. Lubricant will not adhere to surfaces wet with solvent.
 - i. Place the drum over the hub and brake shoes being careful not to damage the threads on the studs (**See Figure 4-15.**) Make sure the drum seats flat against the hub flange and mates properly with the hub pilot. There should be no interference between the brake drum pilot chamfer and the corner radius on the hub. If interference exists, the hub will not be able to function properly.
 - j. Install inner bearing, cone, and seal.

IMPORTANT

DO NOT MIX NEW CUPS WITH OLD CONES OR NEW CONES WITH OLD CUPS.

- k. If studs are marked “R” or “L”, right hand (R) hubs should be installed on the curbside of the vehicle, left hand (L) hubs should be installed on the driver side.



WARNING

Failure to use the correct stud on the correct side may cause loosening of the hub studs during operation, resulting in loss of a wheel.

- l. Place the hub or wheel over the axle spindle being careful to align the hub bore with the axle. Do not damage the seal. Support the hub assembly until the outer bearing cone and spindle nut are installed, to avoid damaging the seal.
- m. Install the outer bearing cone and inner spindle nut, tightening the nut until it is snug against the outer bearing cone. Remove the hub support allowing the hub to rest on the bearings.
- n. Install and adjust bearings (**See “Wheel Bearing Lubrication and Adjustment” on page 4-28.**)
- o. Install the hub cap with the proper gasket. Tighten the cap screws of the hub cap to 10 to 15 ft-lbs. of torque.
- p. Remove the filler plug and fill the hub cavity to the recommended level with a gear type oil.

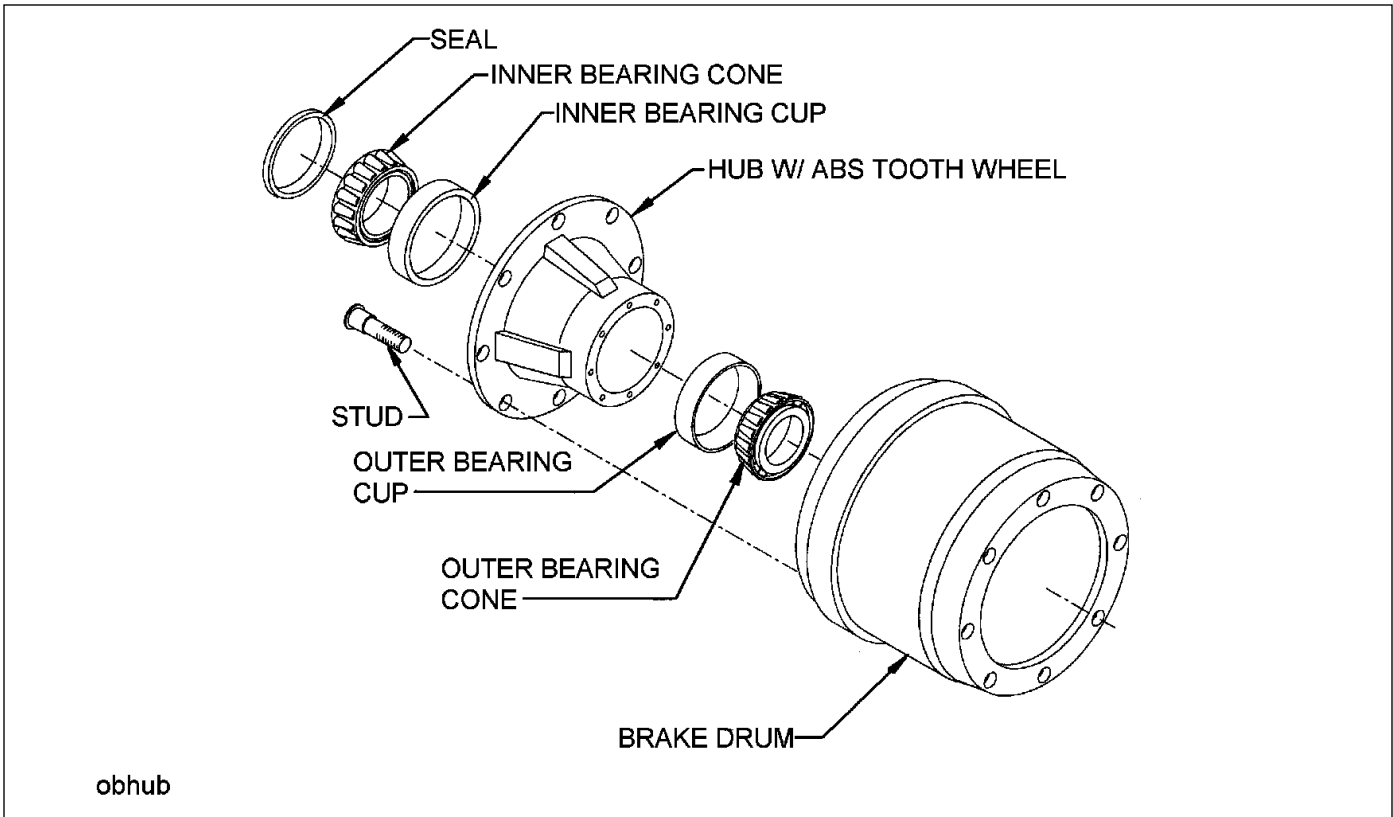


Figure 4-15: Outboard Mount Hub and Drum

Wheel Bearing Lubrication and Adjustment

With trailer sitting level, the oil level must be checked daily and maintained between the “ADD” and “FULL” lines on the hub cap window. Check for cracked windows, missing filler plugs, and oil leaks. Add hub oil through the “POP-IN” filler plug located in the center of the hub windows. Re-install the “POP-IN” plugs after filling each hub. Adjust wheel bearings and change oil every 50,000 miles or with each brake lining replacement, whichever occurs first.

Adjustment

1. With a drain pan under the hub cap, remove the hub cap assembly allowing oil to drain.
2. Lift the wheel off of the ground.
3. Adjust slack adjuster to eliminate brake drag during tire/wheel rotation.
4. Remove outer lock nut and inner nut and lock washer.
5. Tighten the inner adjustment nut to a minimum of 75 ft-lbs, while rotating wheel to insure proper seating of the bearings and cups in the wheel hub.

6. Loosen the inner adjustment nut so that the wheel will turn freely.
7. Retighten the inner adjustment nut to 50 ft-lbs while rotating the wheel, to properly position the bearings for the final adjustment.
8. Loosen the inner adjustment nut 1/3 turn.
9. Install the spindle nut lock washer so that the dowel on the inner nut will align with a hole in the lock washer and the washer tang fits in the spindle keyway.
10. Install the outer lock nut and tighten to 250-300 ft-lbs. End-play of .001" to .010" must be present in the adjusted wheel bearing assembly.



DANGER

Failure to torque the outer lock nut properly could cause the wheel to come off during vehicle operation resulting in property damage or loss of life.

11. Install the hub cap with a new gasket, torque 10 to 15 ft-lbs, and fill with oil to the full mark, **See Lubrication Specifications on Page 4-6.**
12. Adjust brakes according to “**Brake Adjustment**” on **page 4-22.**

13. Check hub oil level after the wheel has set level in one position for a few minutes to allow the oil to work into the bearings.

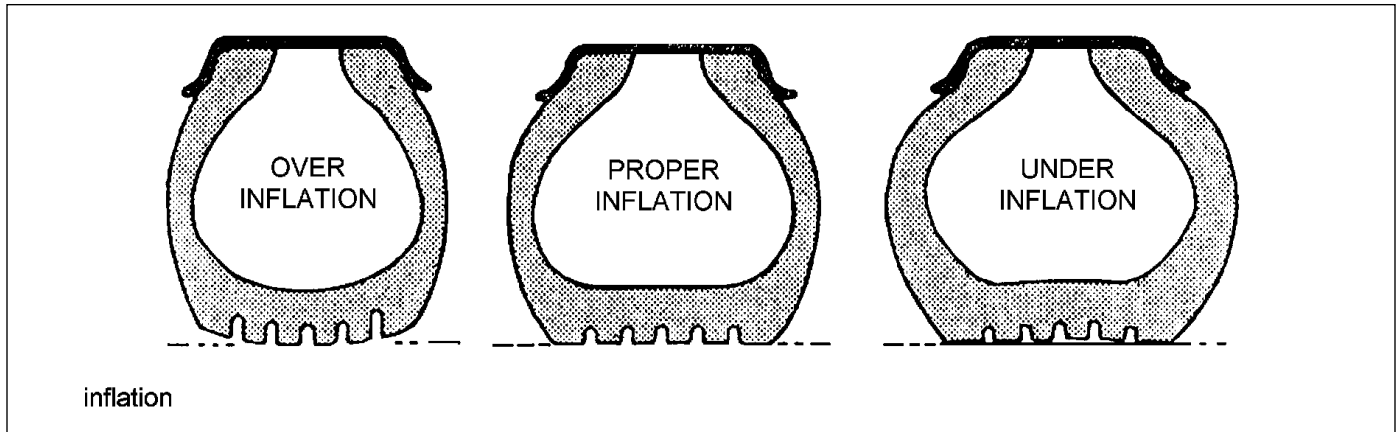


Figure 4-16: Tire Inflation Examples

Tire Maintenance

Tire Inflation

Tire inflation will cause tire to ground contact characteristics as shown in **Figure 4-16**. Tire inflation should be checked daily while the tire is cold, and during road stops. Checking the tire pressures while tires are hot will give a faulty increased pressure reading. Adjusting tire air pressure to the specified amount while tires are hot will produce improper tire to road contact and thus abnormal wear. Do not exceed cold inflation pressure listed on the trailer VIN plate located on the front of the trailer. Exceeding cold inflation pressure will result in damaged tire bodies, rims, and wheels. Replace all valve stem caps when pressure checking/adjusting has been completed. Remove any foreign objects from between duals.

Tire Matching

Both tires on the same spindle must be the same size in order to properly distribute the load and braking forces between them. The tire must be mounted on a rim and properly inflated before measuring. If there is an allowable difference in size the smaller tire should be mounted to the inside position of the duals.

Tape Measuring Method

Measure around each tire on the tread surface. A maximum difference of $\frac{3}{4}$ " is allowed between the two mating tires of a dual (**See Figure 4-17.**)

Straight Edge or String Method

This method cannot be used if tire and wheel assemblies are not mounted on the axle.) Jack trailer up until the wheels are off of the ground. Hold a straight edge against the tires of both ends of an axle. A gap at one tire indicates a smaller tire. A maximum of $\frac{1}{8}$ " gap is allowed (**See Figure 4-18.**)

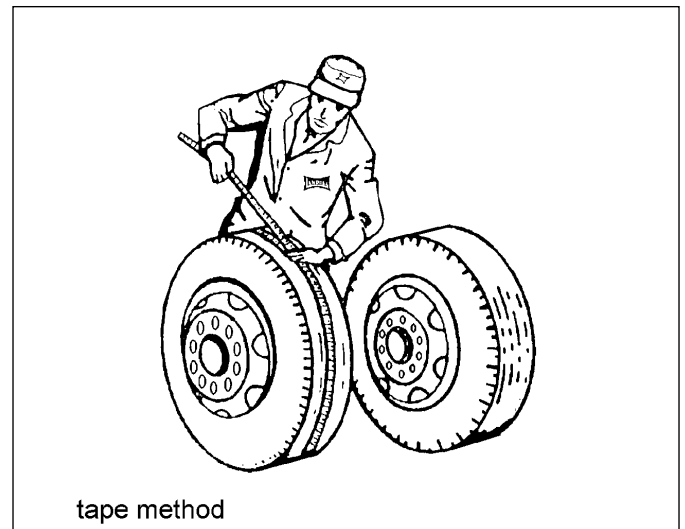


Figure 4-17: Measuring Tape Method

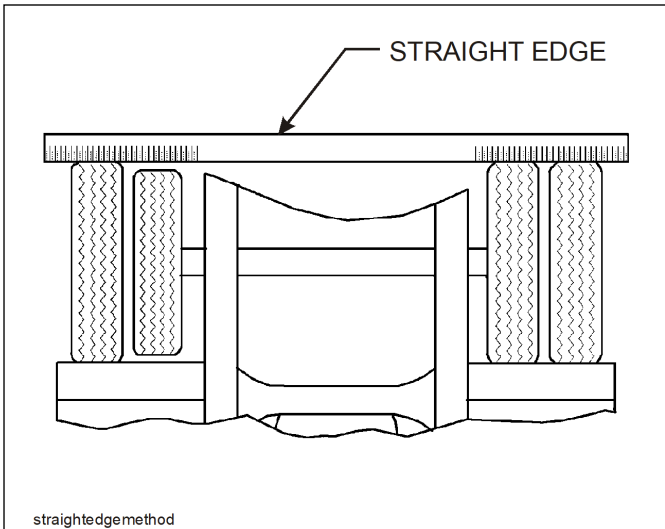


Figure 4-18: Straight Edge Method

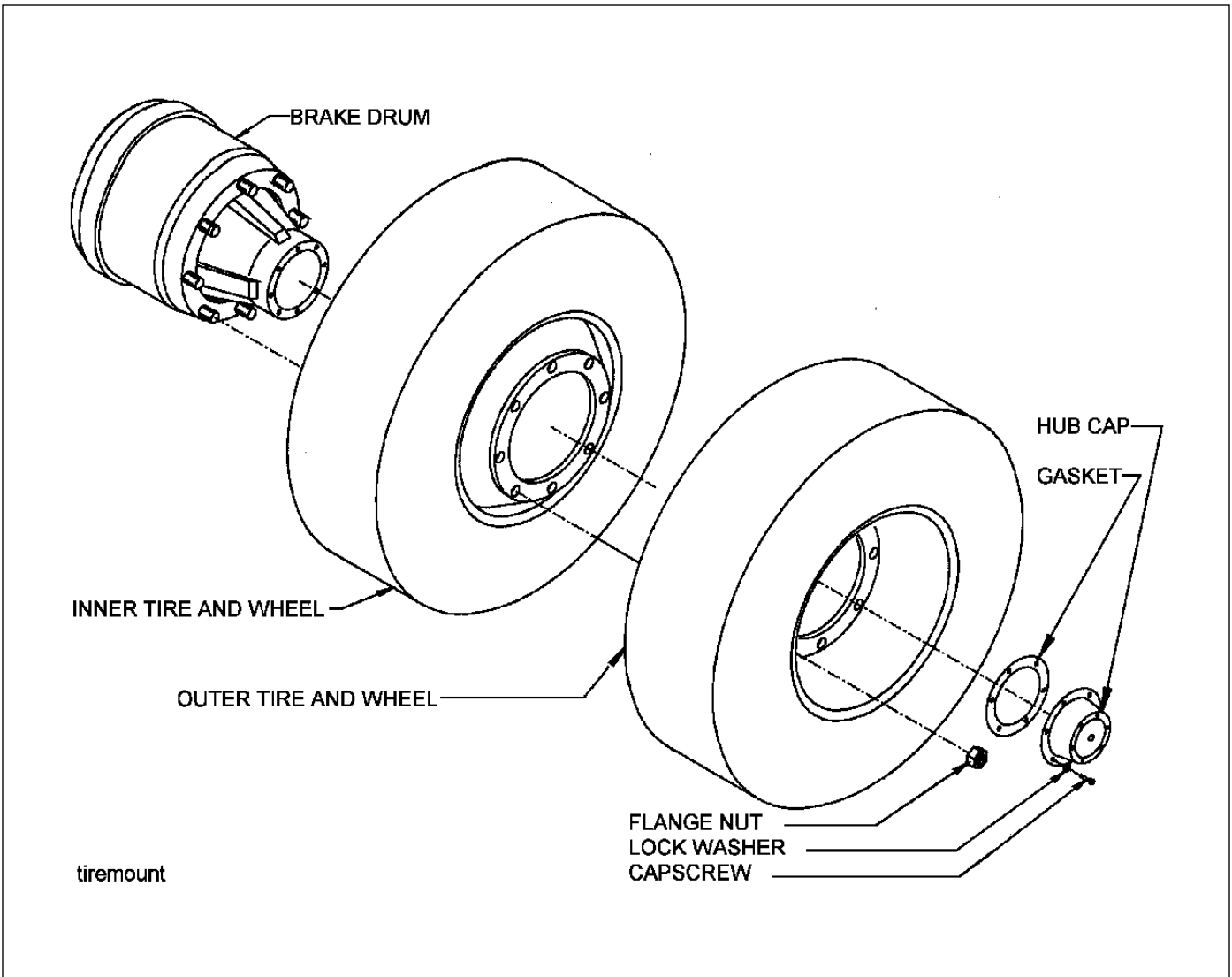


Figure 4-19: Mounting Tires and Wheels

Mounting Tire and Wheel

1. Make sure that all mounting surfaces are clean and free of rust, dirt or paint. A wire brush may be used to clean these surfaces (**See Figure 4-19.**)
2. Position the inner disc wheel over the studs, being careful not to damage the stud threads. Make sure that the disc wheel is flat against the mounting surface and that there is clearance between the disc wheel taper and brake drum.
3. Position the outer disc wheel being careful not to damage the threads. Be sure the valve stems for both the inner and outer tire are accessible.

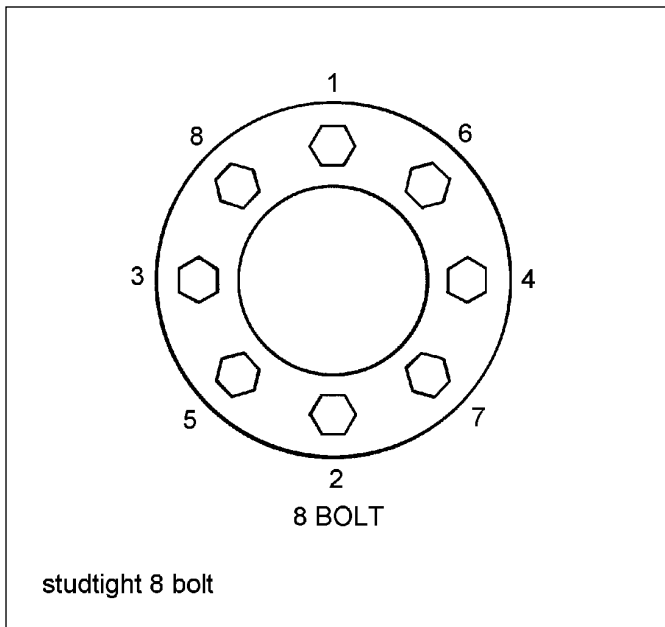


Figure 4-20: Stud Tightening Sequence

4. Install the flange nut and tighten to 50 ft-lbs using the sequence in **Figure 4-20**. Then tighten to full torque of 450 to 500 ft-lbs.
5. Torque will drop after the first 50 to 100 miles of operation. Check the nuts for proper torque after this interval and retighten them.



WARNING

Use a torque wrench to assure proper torque. Insufficient torque can cause stud breakage and damage wheel pilots. Overtorque can overstress the studs and strip the threads.

Winches

Inspect the winch cable before and after **every** usage. If frayed wires, nicks, kinks, worn spots, breaks or any other sign of deterioration or damage is found, immediate replacement is mandatory before further usage. If the trailer is going to be out in the weather for any length of time, it is advisable to oil the winch cable to prevent untimely rusting and deterioration of the cable. **See Lubrication Specifications on Page 4-6** for lubrication specifications.

Inspect the winch mechanism thoroughly each week to insure safe, efficient operation.



WARNING

Do not handle the winch cable when the winch is in the engage position. Hands or clothing could get caught in the cable and be pulled into the spool causing serious personal injury.

Troubleshooting Guide

Electrical

Most electrical system problems show up as a burned out light or fuse, or inoperative electrical component. Wiring, grounds, or components may be at fault. Locate the symptom in this section that best identifies your electrical problem. Check out each possible problem under that symptom. If the problem cannot be located, see an automotive electrical specialist. For maintenance procedures, see **“Electrical System” on page 4-11.**

PROBLEM	PROBABLE CAUSE	SOLUTION
NO LIGHTS	Fuse blown	Replace fuse
	Connection at plug-in	Tighten connection
	Broken corroded wires	Replace wire
	Ground wire loose	Clean and tighten ground
LIGHTS FLICKERING	Wires shorted or loose	Locate, insulate, replace, or tighten
	Grounding through fifth wheel	Locate broken ground wire (tractor or trailer)
LIGHTS DIM	Voltage difference between trailer and tractor	Match bulbs with tractor voltage
	Grounding through fifth wheel	Locate broken ground wire (tractor or trailer)
LIGHTS BRIGHT AND BURN OUT	Voltage difference between trailer and tractor	Match bulbs with tractor voltage
FUSE BLOW-OUT OR CIRCUIT BREAKER TRIPPING	Vibration	Locate source of vibration and repair
	Short circuit	Replace fuse and try all accessories. If fuse blows right away, locate short and repair
LAMP BULB BURN OUT	Vibration	Locate source of vibration and repair
	Short circuit	Replace fuse and try all accessories. If fuse blows right away, locate short and repair
	Loose connection	Check lamp sockets and ground connections
	Intermittent short	Locate short and repair
	Improper voltage	Check voltage regulator output

Tires-Wheels-Suspension

Most tire, wheel, and suspension related problems are due to excessive loads, extreme conditions, and improper maintenance. Tire, wheel, and suspension problems can be easily detected and solved by checking the following guide. For maintenance procedures, refer to the following sections:

- “Air System Maintenance” on page 4-10
- “Alignment” on page 4-16
- “Hub and Drum Maintenance” on page 4-26
- “Wheel Bearing Lubrication and Adjustment” on page 4-28
- “Tire Maintenance” on page 4-29

PROBLEM	PROBABLE CAUSE	SOLUTION
VIBRATIONS WHILE DRIVING	Improper tire inflation	Inflate to proper pressure (See “Tire Inflation” on page 4-29.)
	Tire cupped or have flat spots	Replace tires
	Wheels bent or loose	Replace or tighten
	Tire incorrectly mounted	Remount (See “Mounting Tire and Wheel” on page 4-31.)
	Mud in wheels	Clean wheels
	Tire(s) out of balance	Balance tires
	Brakes dragging	Locate cause and repair
	Objects stuck between duals	Remove objects
RAPID TIRE WEAR/DETERIORATION:		
CENTER TREAD WEAR	Over inflation	Deflate to correct inflation (See “Tire Inflation” on page 4-29.)
SHOULDER TREAD WEAR - BOTH SHOULDERS	Under inflation	Increase inflation to correct PSI (See “Tire Inflation” on page 4-29.)
SHOULDER TREAD WEAR - ONE SHOULDER	Axle damage	Straighten or replace axle (See “Brake System Maintenance” on page 4-21.)
OVERLOAD TREAD WEAR	Overloading	Check tire load rating
	High speeds	Adjust speed according to road and load conditions
	Incorrect dual matching	Properly match dual tires (See “Tire Matching” on page 4-29.)
TIRE FLAT SPOTS	Quick stops	Adjust braking practices
	Grabbing brakes	Adjust brakes properly (See “Brake Adjustment” on page 4-22.)
	Worn or loose wheel bearings	Adjust or replace as needed (See “Hub and Drum Maintenance” on page 4-26.)
	Out of balance wheels and tire	Balance wheels and tires.
UNEVEN WEAR	Undercarriage bushings worn	Replace bushings (See “Hub and Drum Maintenance” on page 4-26.)
	Worn or loose wheel bearings	Adjust or replace as needed (See “Hub and Drum Maintenance” on page 4-26.)
	Out of balance wheels and tires	Balance wheels and tires
RIM FAILURE: IN ALL INSTANCES OF RIM FAILURE, REPLACE THE RIM IMMEDIATELY!		
CRACKING	Overinflated tires	Deflate tire to proper PSI
	High speeds	Adjust speed according to road and load conditions
	High speed cornering	Adjust cornering practices
	Over loading	Check rim load rating

PROBLEM	PROBABLE CAUSE	SOLUTION
BENDING OR WARPING	Curb-hopping or potholes	Adjust turning practices and adjust speed accordingly with road conditions
	Improper tightening sequence	Follow proper tightening sequence (“ Stud Tightening Sequence ” on page 4-31)
BROKEN STUDS	Over tightening	Use correct torque when mounting (See “ Standard Specifications ” on page 2-1.)
REPLACE BROKEN STUDS BEFORE USING THE SEMITRAILER!		
TRAILER TRACKING PROBLEMS:		
TRACKS TO ONE SIDE	Axle alignment	Re-align axle (See “ Brake System Maintenance ” on page 4-21.)
TRACKS TO EITHER SIDE	Broken or bent springs or equalizers	Replace defective parts
	Axles not parallel	Realign axles
AIR RIDE HEIGHT PROBLEMS (See “Air Ride Height Adjustment” on page 4-15.):		
TOO HIGH	Axle to control valve linkage	Readjust linkage
	Height control valve internal leak	Repair or replace valve
TOO LOW	Axle to control valve linkage	Readjust linkage
	Height control valve filter plugged	Clean or replace valve
	Pressure protection valve filter plugged	Clean or replace valve
	System air pressure low (65 PSI minimum required)	Troubleshoot air supply
UNEVEN FROM SIDE TO SIDE	Linkage adjustment	Readjust linkage
	Exhaust port plugged	Clean or replace valve(s)
	Height control valve internal leak	Repair or replace valve
	Supply line to one height control valve pinched, restricted, or plugged	Repair or replace line

Table provided for general use.

NOTES:

Brakes

For maintenance procedures, see “**Brake System Maintenance**” on page 4-21.

PROBLEM	PROBABLE CAUSE	SOLUTION
NO BRAKES OR BRAKES ARE INTERMITTENT	Brake air system improperly connected	Reconnect hand valve properly
	Relay/Emergency valve plugged	Clean valve
	Defective tractor protection valve	Repair or replace
	Restricted tubing or hose line	Locate and eliminate restriction
	Broken line	Locate break and repair
	Tractor air system failure	Troubleshoot tractor air system and repair
SINGLE BRAKE DRAGGING OR LOCKED	Broken internal brake component	Locate and replace broken part (See “ Brake Assembly Maintenance ” on page 4-22.)
	Flat spot on cam roller or cam shaft	Replace and lubricate
	Improper adjustment	Adjust slack adjusters (See “ Automatic Slack Adjusters ” on page 4-25.)
	Spider bushing or cam bracket bushing binding	Lubricate or replace bushing
	Improper lubrication	Lubricate per Figure 4-1
	Worn brake shoe bushing	Replace bushing (See “ Brake Assembly Maintenance ” on page 4-22.)
	Brake drum distortion	Replace drum
	Broken brake chamber spring	Replace spring
	Brake chamber pushrod binding	Re-align brake chamber bracket
	Air brake line loose or broken	Tighten or repair
UNEVEN BRAKES	See “SINGLE BRAKE DRAGGING OR LOCKED”	
	Restriction in hose	Locate restriction and remove
	Worn brake linings	Reline brakes
	Grease on linings	Reline brakes
	Broken slack adjuster	Replace slack adjuster (See “ Replacing Slack Adjuster ” on page 4-26.)
	Leaking brake chamber diaphragm	Replace diaphragm
BRAKES APPLY TOO SLOWLY	Brakes need adjusting or lubrication	Adjust or lubricate as needed
	Low air pressure in brake system (below 105 PSI)	Check tractor air system
	Restricted tubing or hose	Locate restriction and remove
	Defective relay valve	Clean or replace
BRAKES RELEASE TOO SLOWLY	Brakes need adjusting or lubrication	Adjust or lubricate as needed
	Brake rigging binding	Align brakes or replace bent parts
	Exhaust port or relay valve restricted or plugged	Clean valve
	Tractor pressure too low	Adjust to provide 105 psi min.

PROBLEM	PROBABLE CAUSE	SOLUTION
ALL BRAKES DO NOT RELEASE	Air system improperly connected to tractor	Tighten or adjust connections
	Brake valve on tractor is applied	Release brake
	Relay emergency valve in emergency position	Check line pressure and check valve position
	Restricted tubing or line	Locate restriction and remove
	Defective tractor protection valve	Troubleshoot tractor air system
	Parking brakes locked	Troubleshoot air system
	Tractor pressure too low	Adjust to provide 105 psi min.
INSUFFICIENT BRAKES	Brakes need adjusting	Adjust brakes (See “Brake Adjustment” on page 4-22.)
	Brakes need lubricating	Lubricate brakes
	Brakes need relining	Reline brakes
	Low air pressure	Troubleshoot air system
	Defective relay emergency valve	Repair or replace
BRAKES GRABBING	Brakes overheated	Stop and allow brakes to cool, locate cause of overheating
	Grease on brake linings	Reline brakes
	Brake rigging binding	Align brakes or replace bent parts
	Defective brake valve on tractor	Repair or replace valve
	Defective relay emergency valve	Repair or replace valve. Excessive leakage with brakes released.
	Relay emergency valve leaking	Repair or replace valve
EXCESSIVE LEAKAGE WITH BRAKES APPLIED	Leaking tubing or hose	Replace defective part
	Relay emergency valve leaking	Repair or replace valve
	Leaking brake chamber diaphragm	Replace diaphragm
EXCESSIVE LEAKAGE WITH EMERGENCY SYSTEM ONLY APPLIED - NO LEAKAGE WITH NORMAL BRAKING	Leaking tubing or hose	Replace defective part
	Defective relay emergency valve	Repair or replace valve
EXCESSIVE WATER PRESENT IN BRAKE SYSTEM	Reservoir not drained often enough	Drain reservoir daily
EXCESSIVE OIL PRESENT IN BRAKE SYSTEM	Compressor on tractor passing excessive oil	Repair compressor
BRAKE WILL NOT APPLY PROPERLY	Flat spot on cam roller or camshaft	Replace and lubricate
BRAKE WILL NOT APPLY WHEN EMERGENCY LINE IS DISCONNECTED	Initial air pressure too low	Allow air system to build up to minimum 90 PSI and stabilize
	Defective relay valve	Repair or replace valve
	Air line leak	Locate leak and repair
	Brake chamber leak	Locate leak and repair or replace
ABS WARNING LIGHT STAYS ON	Refer to Rockwell WABCO ABS for system function and use of blink code diagnostics.	

Table provided for general use.

NOTES:

Hydraulic System

Most hydraulic system failures follow the same pattern: a gradual or sudden loss of pressure or flow with a resulting loss of cylinder or motor power. Any one of the system's components may be at fault. By following step-by-step procedures, the trouble can be located in a short time.

PROBLEM	PROBABLE CAUSE	SOLUTION
SYSTEM INOPERATIVE	Not enough oil in system	Fill, check for leaks
	Wrong oil in system	Change oil, see specifications "Lubrication Specifications" on page 4-6.
	Filter dirty or clogged	Drain oil and replace filter
	Hydraulic lines dirty or collapsed	Clean or replace as necessary
	Air leaks in pump suction line	Repair or replace as necessary.
	Worn or dirty pump	Clean, repair or replace. Check for contaminated oil. Drain and flush.
	Badly worn components	Examine for internal leakage. Replace faulty components. Check for cause of wear.
	Leakage	Check all components, and relief valve for proper settings.
	Excessive load	Check unit specifications for load limits (See "Standard Specifications" on page 2-1.)
	Slipping or broken pump drive	Repair or replace couplings. Check for alignment.
SYSTEM OPERATES ERRATICALLY	Air in the system	Check suction side of system for leaks. Repair leaks.
	Cold oil	Allow ample warm-up time. Use proper weight oil for operating temperature
	Dirty or damaged components	Clean or repair as needed
	Restriction in filters or lines	Clean and/or replace filter or lines
	Not enough oil in system	Fill and check for leaks
SYSTEM OPERATES SLOWLY	Oil viscosity too high, or "cold oil"	Allow oil to warm up before operating.
	Low pump drive speed	Increase engine speed (check pump owners manual for specifications).
	Low oil level	Check reservoir and add oil as necessary.
	Air in system	Check suction side for leaks. Repair leaks.
	Badly worn pump, valves, cylinders, etc.	Repair or replace faulty component(s) as necessary.
	Restrictions in lines or filter	Clean and/or replace filter or lines.
	Improper adjustments	Check orifices, relief valves, etc. Adjust as necessary.
	Oil leaks	Tighten fittings. Replace seals, gaskets and damaged lines.
SYSTEM OPERATES TOO FAST	Wrong size or incorrectly adjusted restrictor	Replace or adjust as necessary.
	Engine running too fast	Reduce engine speed

PROBLEM	PROBABLE CAUSE	SOLUTION
OVER HEATING OF OIL IN SYSTEM	Oil passing through relief valve for excessive time	Return control valve to neutral when not in use
	Incorrect, low, dirty oil	Use recommended oil “ Lubrication Specifications ” on page 4-6. Fill reservoir with clean oil. Replace filter.
	Engine running too fast	Reduce engine speed
	Excessive component internal leakage	Repair or replace component as necessary.
	Restriction in filters or lines	Clean and/or replace filter or lines.
	Insufficient heat radiation	Clean dirt and mud from reservoir and components.
	Malfunctioning component	Repair or replace
	Excess oil going to dock level circuit	Adjust flow divider for 2.5 to 3.1 GPM flow.
FOAMING OF OIL	Incorrect, low, dirty oil	Replace, clean, or add oil as needed
	Air leaks	Check suction line and component seals for suction leaks. Replace defective parts.
NOISY PUMP	Low, incorrect, foamy oil	Replace, clean, or add oil as needed
	Suction line plugged	Clean out obstruction or replace line. Flush system, replace filter
LEAKY PUMP	Damaged or worn shaft seal	Replace seal and check for misalignment
	Loose or broken parts	Tighten or replace
CYLINDERS MOVE WITH CONTROL VALVE IN NEUTRAL POSITION	Leaking cylinder seals or fittings	Replace worn seals or fittings
	Control valve not centering when released	Check linkage for binding and repair
	Valve damaged	Repair or replace
CONTROL VALVE LEAKS	Seals damaged worn	Replace
CYLINDER LEAKS	Seals worn or damaged	Replace
	Rod damaged	Replace
	Barrel damaged	Replace
CYLINDERS DO NOT FUNCTION OR CREEP WITH PTO DISENGAGED	Leaking fittings or cylinder seals	Tighten loose fittings. Replace worn seals or fittings
	Piloted check valve or o-ring leak	Replace defective component



intertek

Equipment from Landoll Company, LLC. is built to exacting standards ensured by ISO 9001:2008 registration at all Landoll manufacturing facilities.

Model 345E
Trailer
Operator's Manual

Re-Order Part Number F-563

LANDOLL COMPANY, LLC.

1900 North Street

Marysville, Kansas 66508

(785) 562-5381

800-428-5655 ~ WWW.LANDOLL.COM



Copyright 4/1/24. Landoll Company, LLC.

"All rights reserved, including the right to reproduce this material or portions thereof in any form"